



US00D894481S

(12) **United States Design Patent** (10) **Patent No.:** **US D894,481 S**
Gould (45) **Date of Patent:** **** Aug. 25, 2020**

(54) **COVER FOR A VAPORIZER DEVICE**

(71) Applicant: **Pax Labs, Inc.**, San Francisco, CA
(US)

(72) Inventor: **Alexander J. Gould**, Parsippany, NJ
(US)

(73) Assignee: **Pax Labs, Inc.**, San Francisco, CA
(US)

(**) Term: **15 Years**

(21) Appl. No.: **29/691,011**

(22) Filed: **May 13, 2019**

Related U.S. Application Data

(63) Continuation of application No. 29/572,802, filed on Jul. 29, 2016, now Pat. No. Des. 854,238.

(51) **LOC (12) Cl.** **27-02**

(52) **U.S. Cl.**
USPC **D27/162**

(58) **Field of Classification Search**
USPC D27/100, 101, 139-194; D23/202;
D13/118, 119; D19/115, 116, 162, 163,
D19/164; D7/300; D9/444, 445;
D11/26
CPC A24F 47/008; A24F 47/002; A24F 15/18;
A24F 47/00
See application file for complete search history.

(56) **References Cited**

U.S. PATENT DOCUMENTS

D677,427 S * 3/2013 Ross D27/167
D678,603 S * 3/2013 Wygle D27/161

D680,262 S * 4/2013 Mansfield D27/161
D761,488 S * 7/2016 Alarcon D27/135
D762,003 S * 7/2016 Lomeli D27/163
D805,249 S * 12/2017 Casalino D27/183
D848,057 S * 5/2019 Lomeli D27/167
D854,238 S * 7/2019 Gould D27/194
10,405,582 B2 * 9/2019 Hatton H05B 1/0244
D862,794 S * 10/2019 Wolk D27/187
2017/0000186 A1 * 1/2017 Russell A24F 13/12

* cited by examiner

Primary Examiner — Marissa J Cash

(74) *Attorney, Agent, or Firm* — Mintz Levin Cohn Ferris
Glovsky and Popeo, P.C.

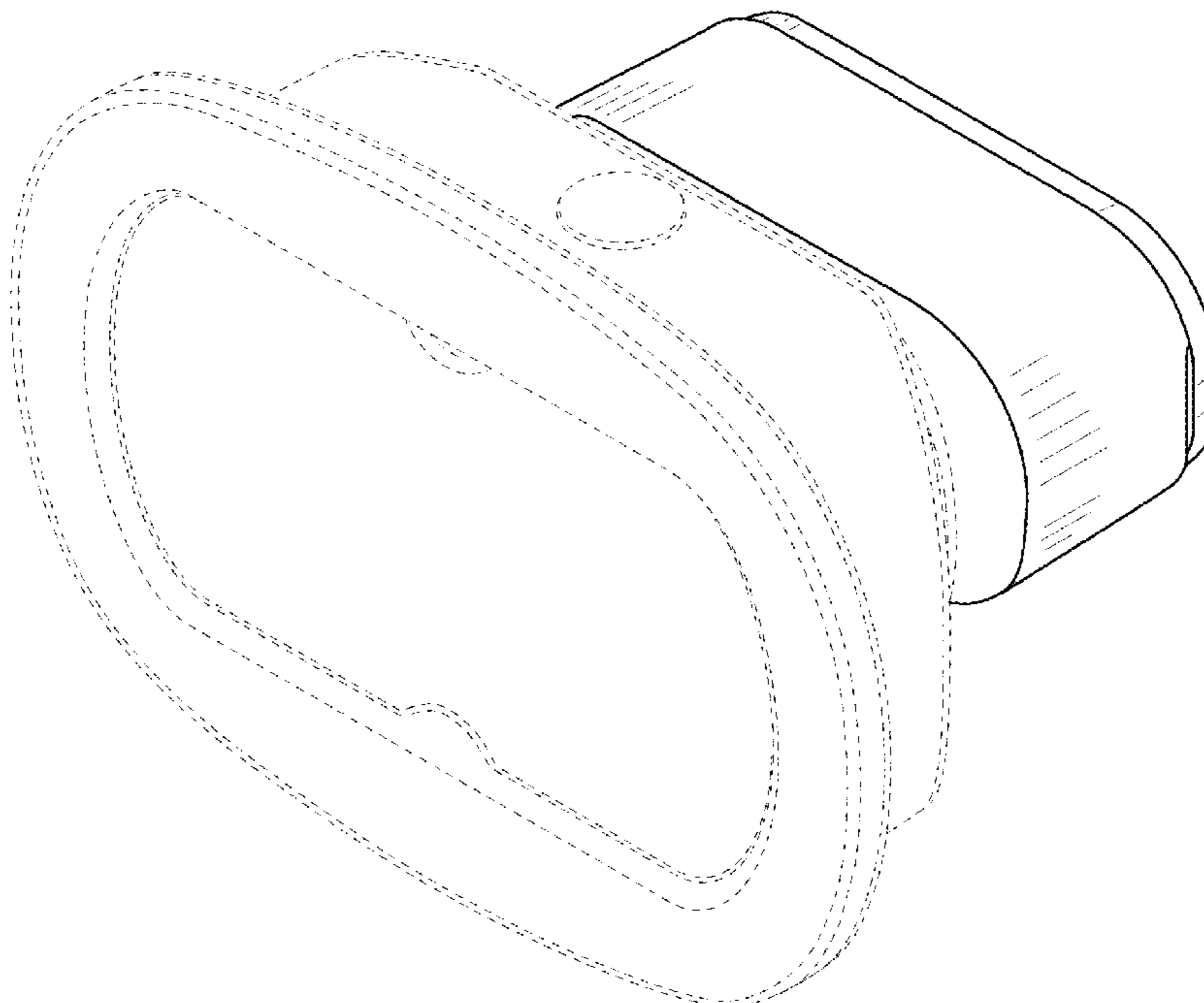
(57) **CLAIM**

The ornamental design for a cover for a vaporizer device, as shown and described.

DESCRIPTION

FIG. 1 is a top isometric view of a cover for a vaporizer device, in accordance with the present invention;
FIG. 2 is a bottom isometric view thereof;
FIG. 3 is a front view thereof; the back view thereof is identical to the front view, and is therefore omitted;
FIG. 4 is a right side view thereof; the left side view thereof is identical to the right side view and is therefore omitted;
FIG. 5 is a top view thereof; and,
FIG. 6 is a bottom view thereof.
The broken lines depict parts of the cover for a vaporizer device that form no part of the claimed design.

1 Claim, 6 Drawing Sheets



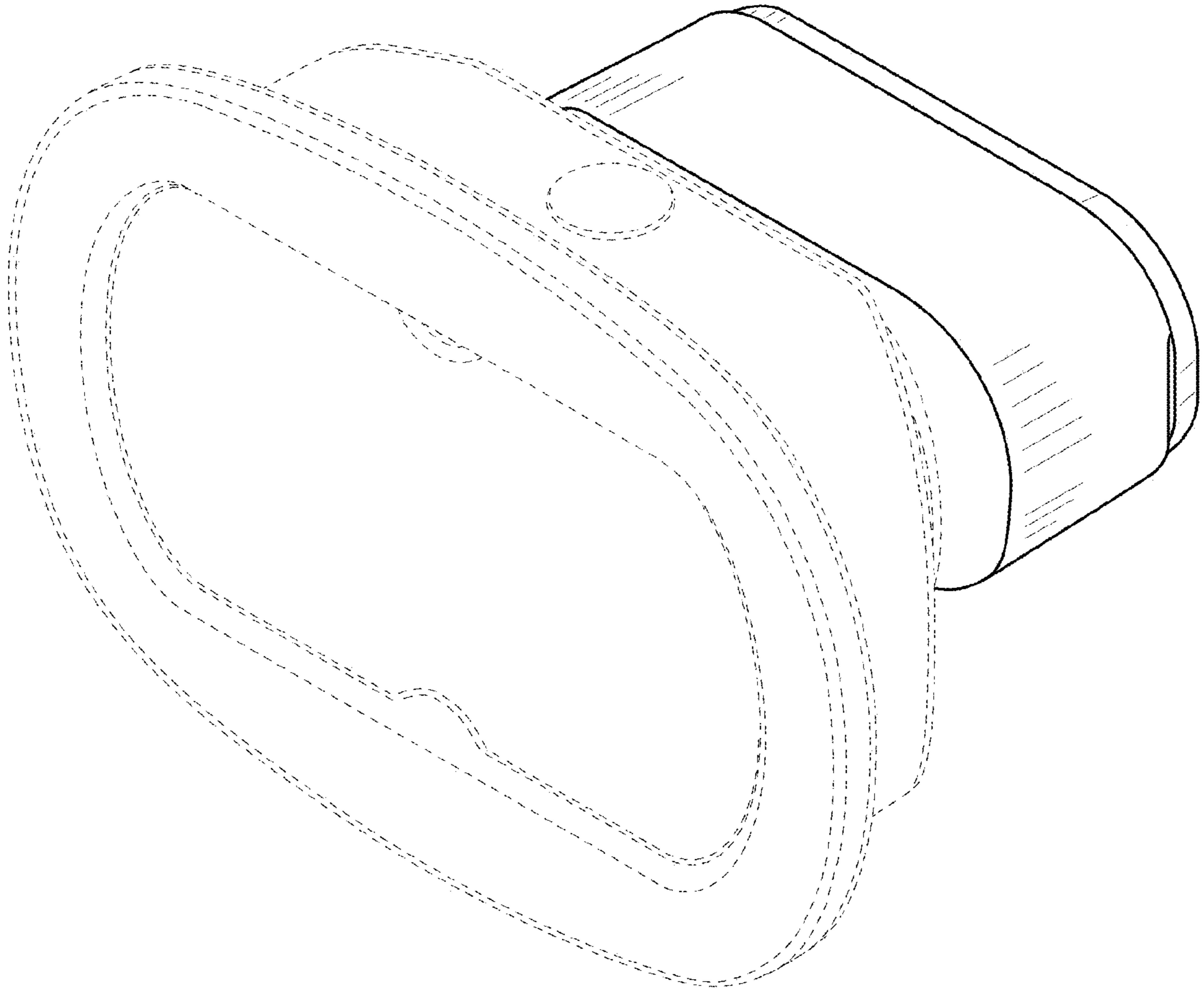


FIG. 1

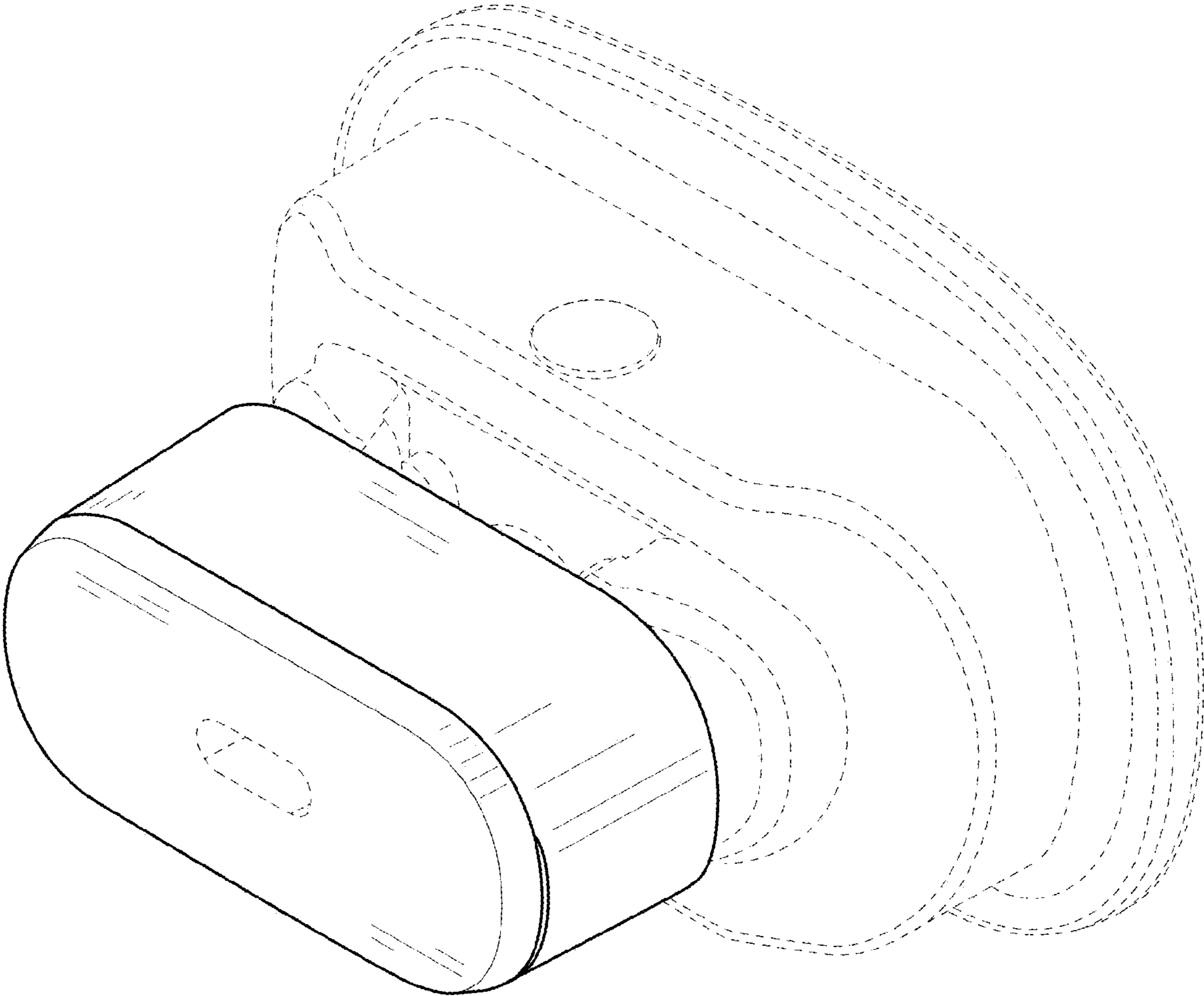


FIG. 2

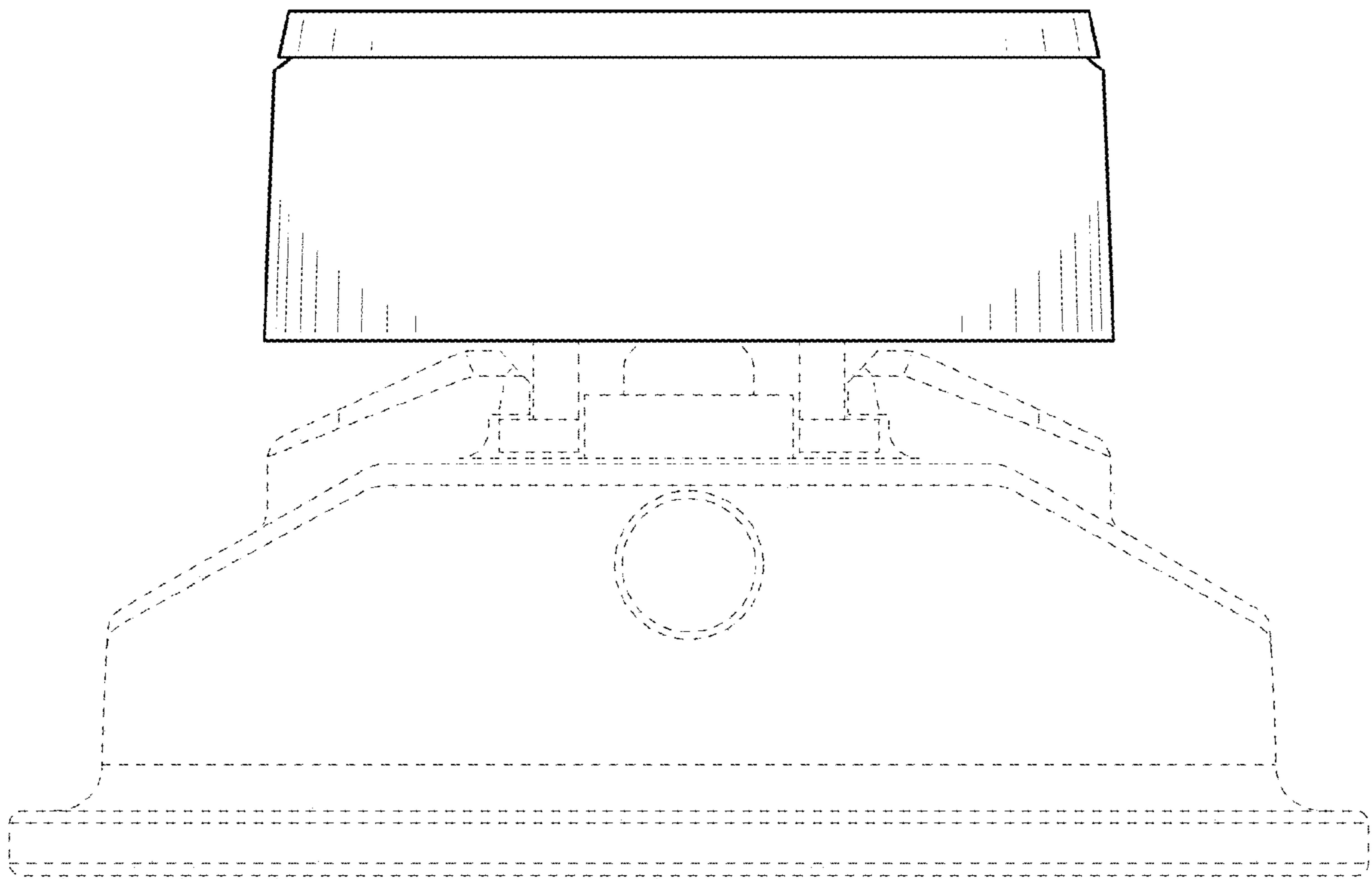


FIG. 3

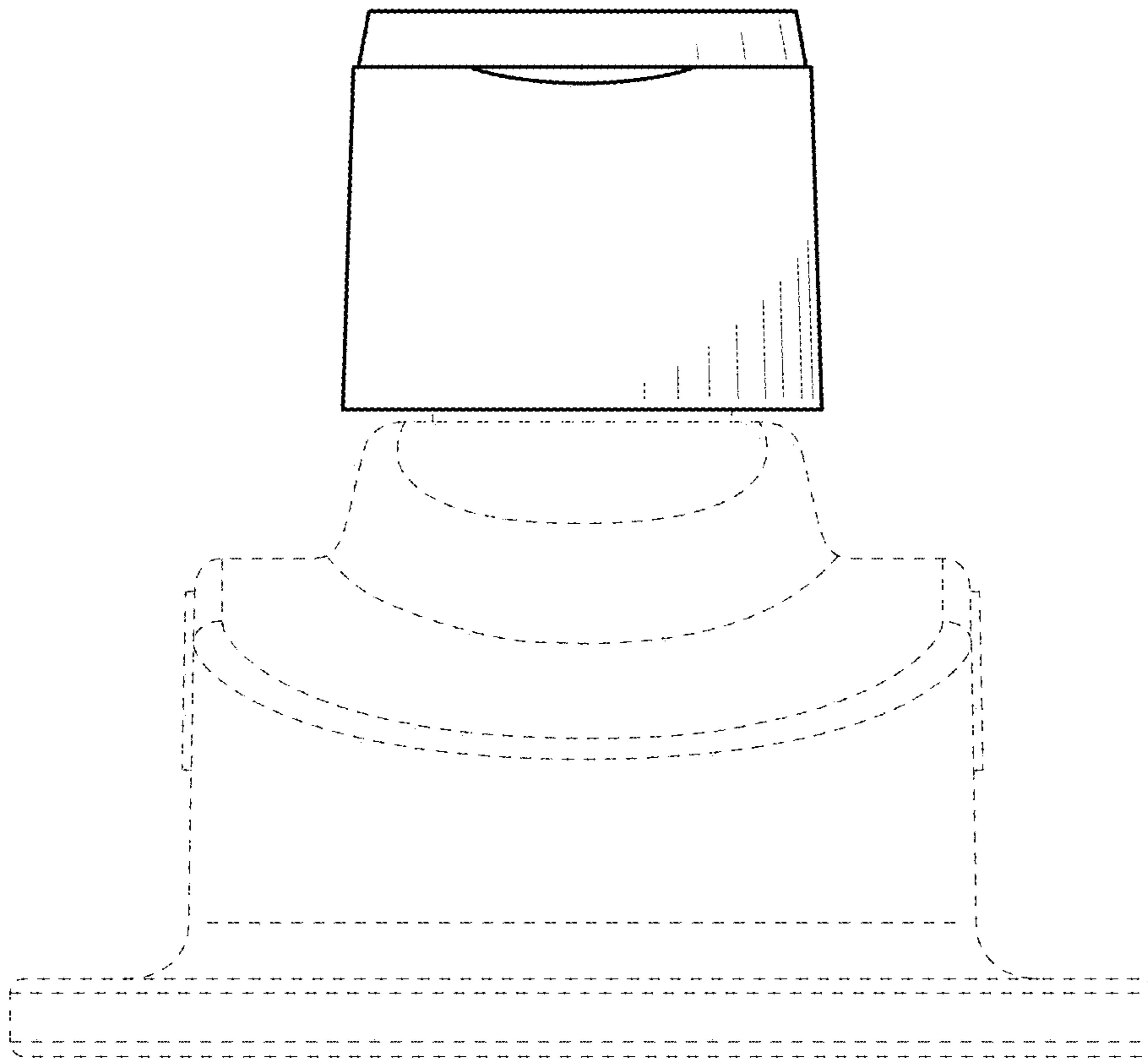


FIG. 4

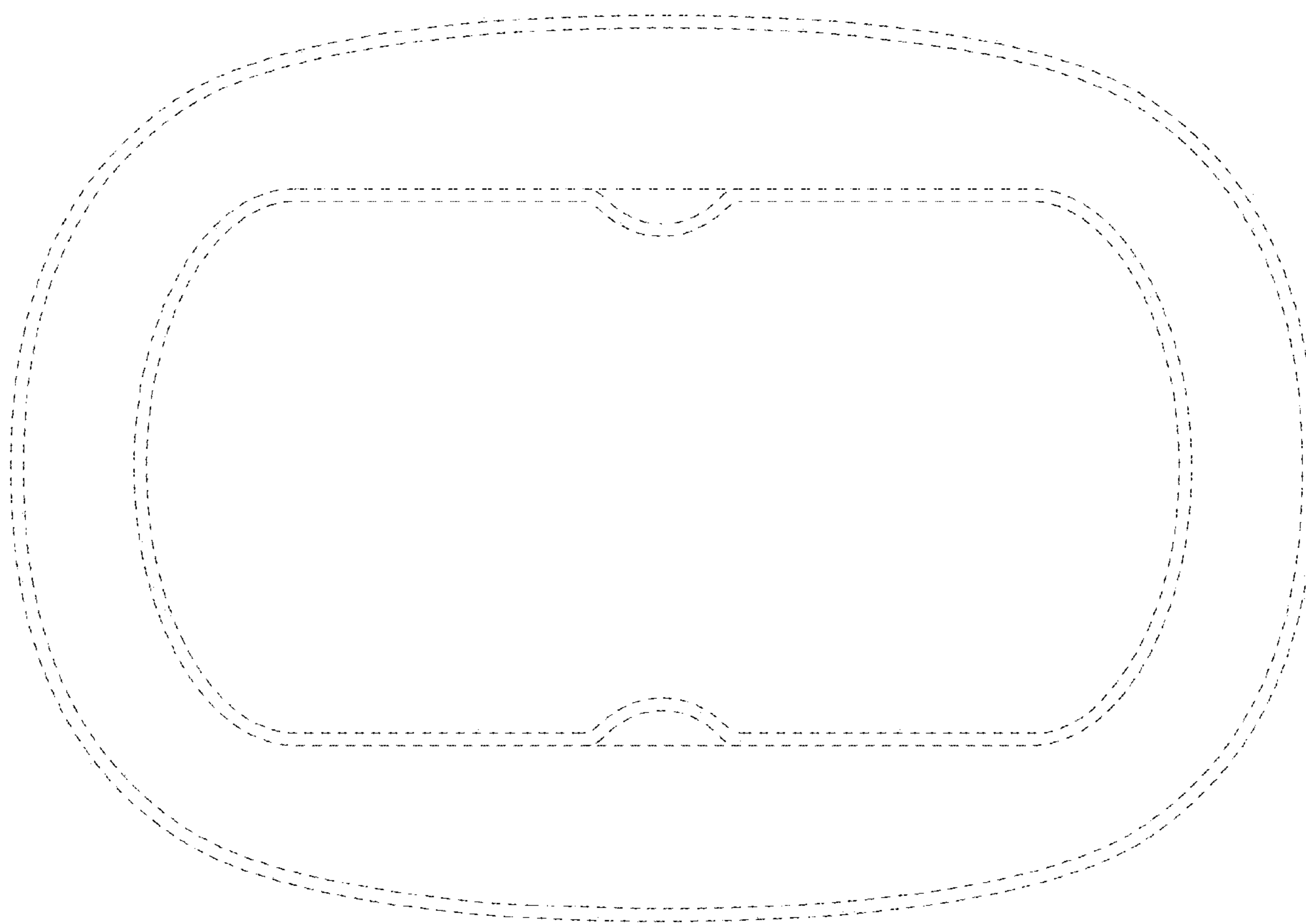


FIG. 5

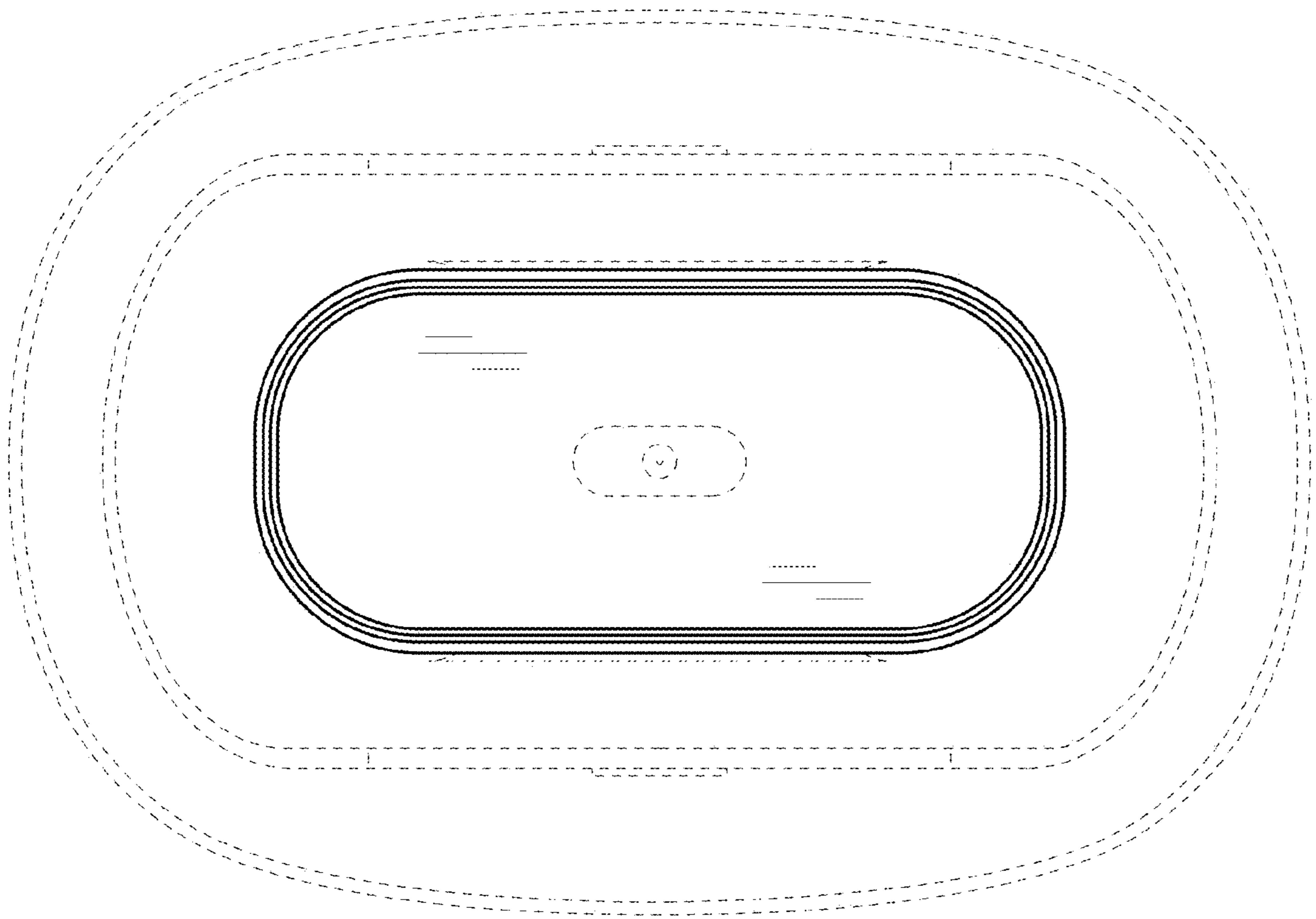


FIG. 6