



US00D894480S

(12) **United States Design Patent** (10) **Patent No.:** **US D894,480 S**
Lomeli (45) **Date of Patent:** **** Aug. 25, 2020**

- (54) **LID FOR VAPORIZER**
- (71) Applicant: **Pax Labs, Inc.**, San Francisco, CA (US)
- (72) Inventor: **Kevin Lomeli**, San Francisco, CA (US)
- (73) Assignee: **Pax Labs, Inc.**, San Francisco, CA (US)
- (**) Term: **15 Years**
- (21) Appl. No.: **29/685,665**
- (22) Filed: **Mar. 29, 2019**

D680,262 S *	4/2013	Mansfield	D27/161
D761,488 S *	7/2016	Alarcon	D27/135
D762,003 S *	7/2016	Lomeli	D27/163
D805,249 S *	12/2017	Casalino	D27/183
D848,057 S *	5/2019	Lomeli	D27/167
D854,238 S *	7/2019	Gould	D27/194
10,405,582 B2 *	9/2019	Hatton	H05B 1/0244
D862,794 S *	10/2019	Wolk	D27/187
2017/0000186 A1 *	1/2017	Russell	A24F 13/12

* cited by examiner

Primary Examiner — Marissa J Cash
(74) *Attorney, Agent, or Firm* — Mintz Levin Cohn Ferris Glovsky and Popeo, P.C.

Related U.S. Application Data

- (63) Continuation of application No. 29/569,118, filed on Jun. 23, 2016, now Pat. No. Des. 848,057.
- (51) **LOC (12) Cl.** **27-02**
- (52) **U.S. Cl.**
USPC **D27/162**
- (58) **Field of Classification Search**
USPC D27/100, 101, 139–194; D23/202;
D13/118, 119; D19/115, 116, 162, 163,
D19/164; D7/300; D9/444, 445;
D11/26
CPC A24F 47/008; A24F 47/002; A24F 15/18;
A24F 47/00
See application file for complete search history.

References Cited

U.S. PATENT DOCUMENTS

D677,427 S *	3/2013	Ross	D27/167
D678,603 S *	3/2013	Wygle	D27/161

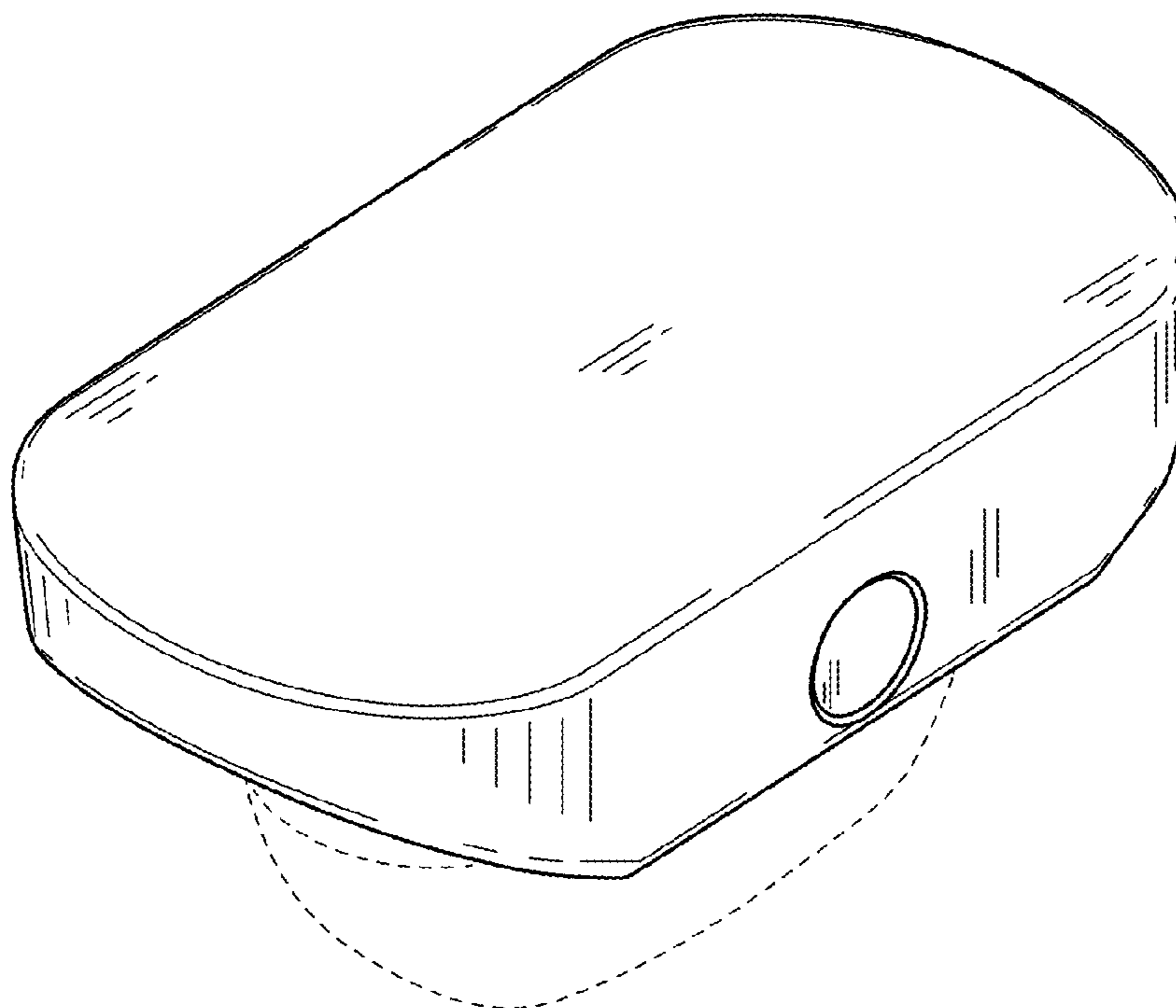
(57) **CLAIM**

The ornamental design of a lid for a vaporizer, as shown and described.

DESCRIPTION

FIG. 1 is a top isometric view of a lid for a vaporizer of our design;
FIG. 2 is a bottom isometric view thereof;
FIG. 3 is a front view thereof;
FIG. 4 is a right side view thereof;
FIG. 5 is a top view thereof;
FIG. 6 is a bottom view thereof; and,
FIG. 7 is a front isometric view thereof shown in an open state of use with a vaporizer for environmental purposes. The broken lines illustrate portions of the lid for the vaporizer or environment that form no part of the claimed design.

1 Claim, 4 Drawing Sheets



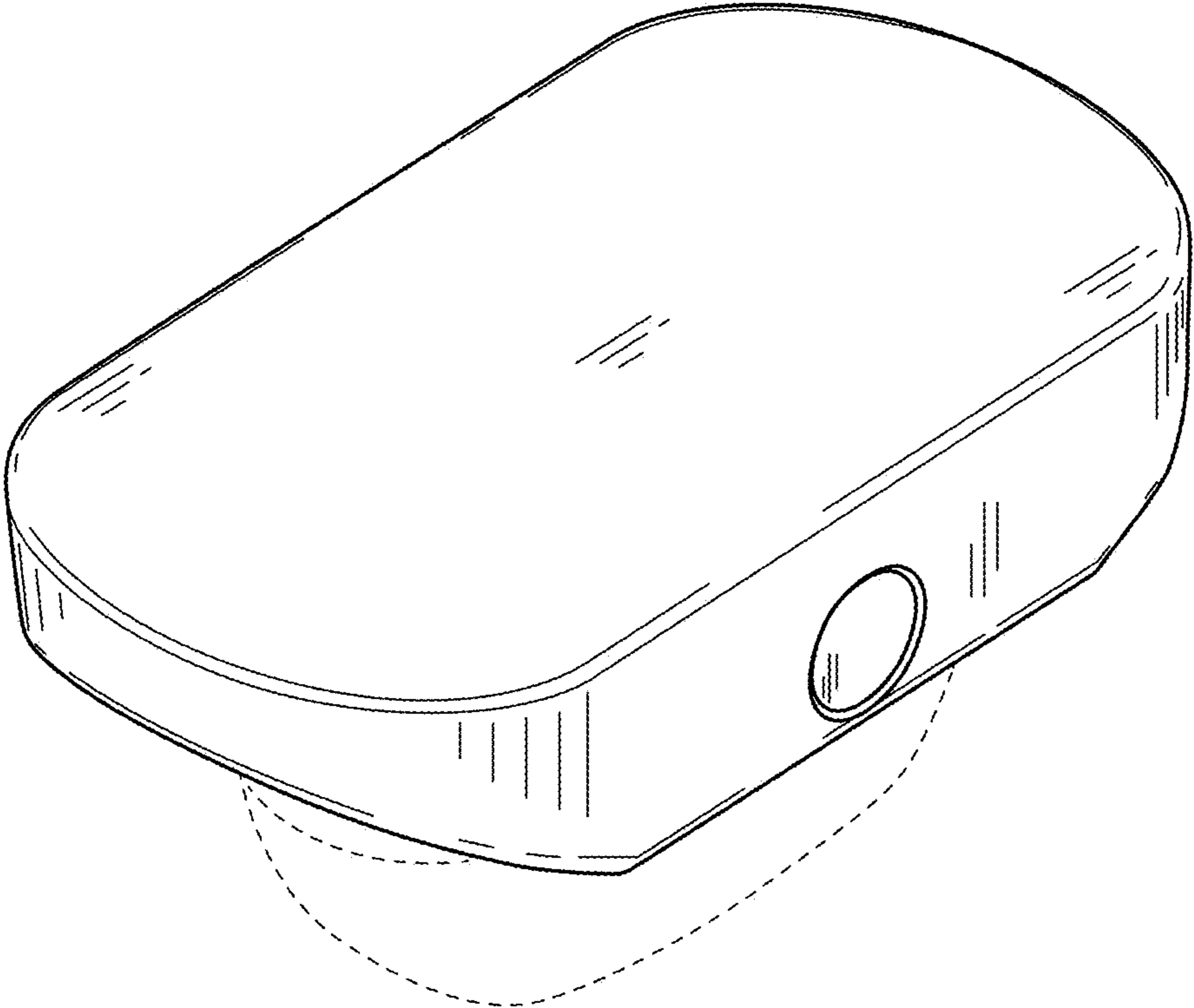


FIG. 1

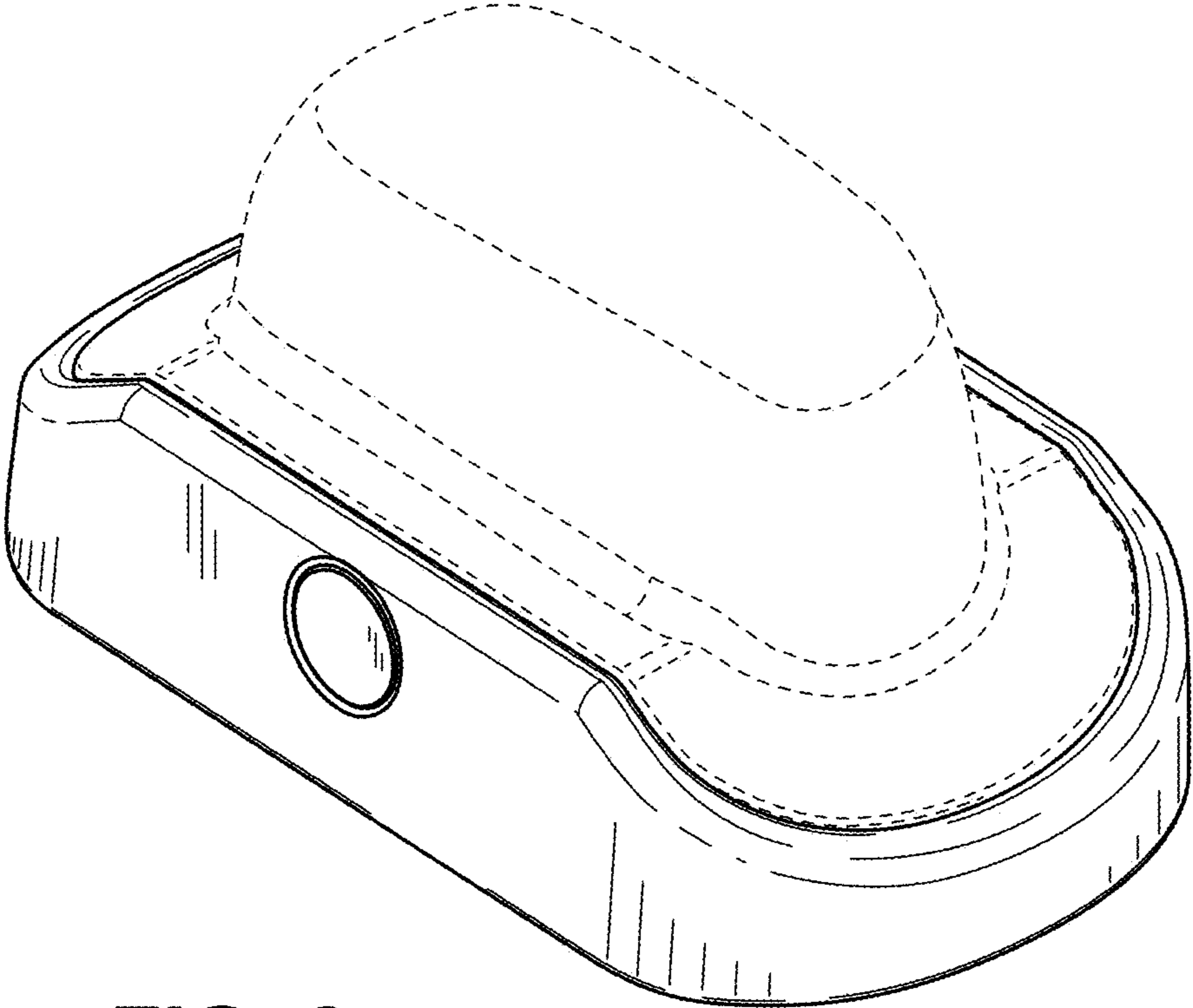


FIG. 2

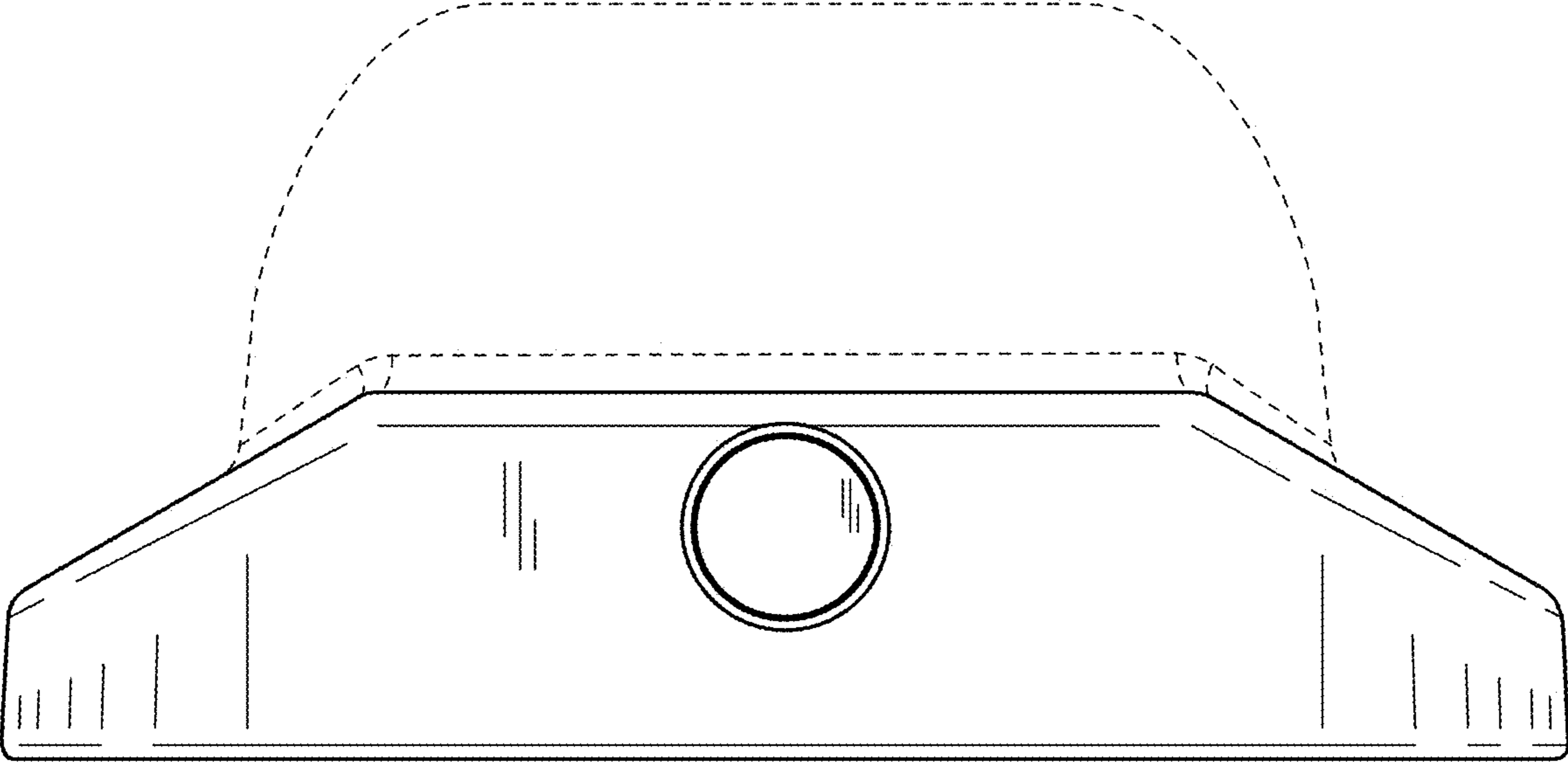


FIG. 3

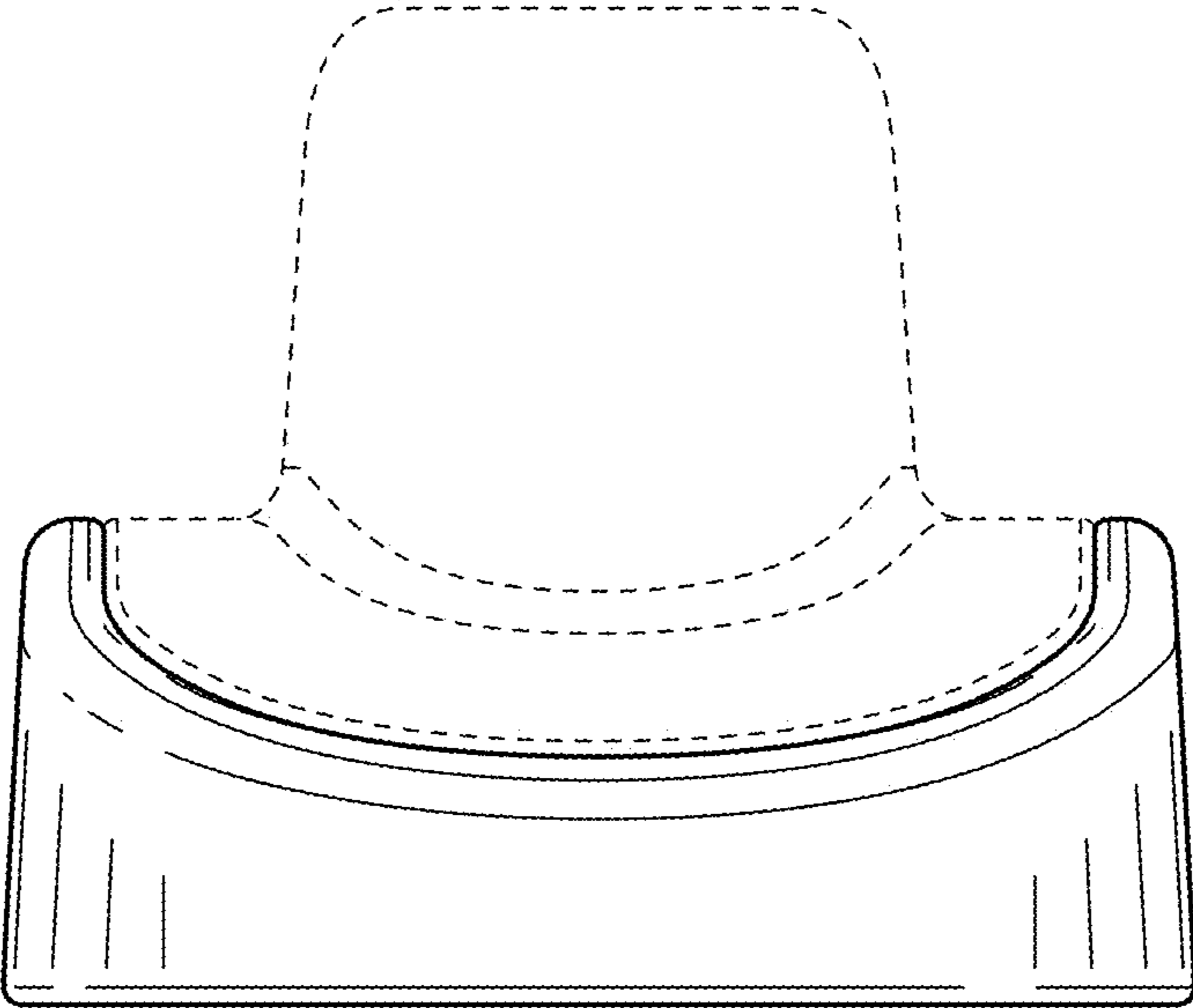


FIG. 4

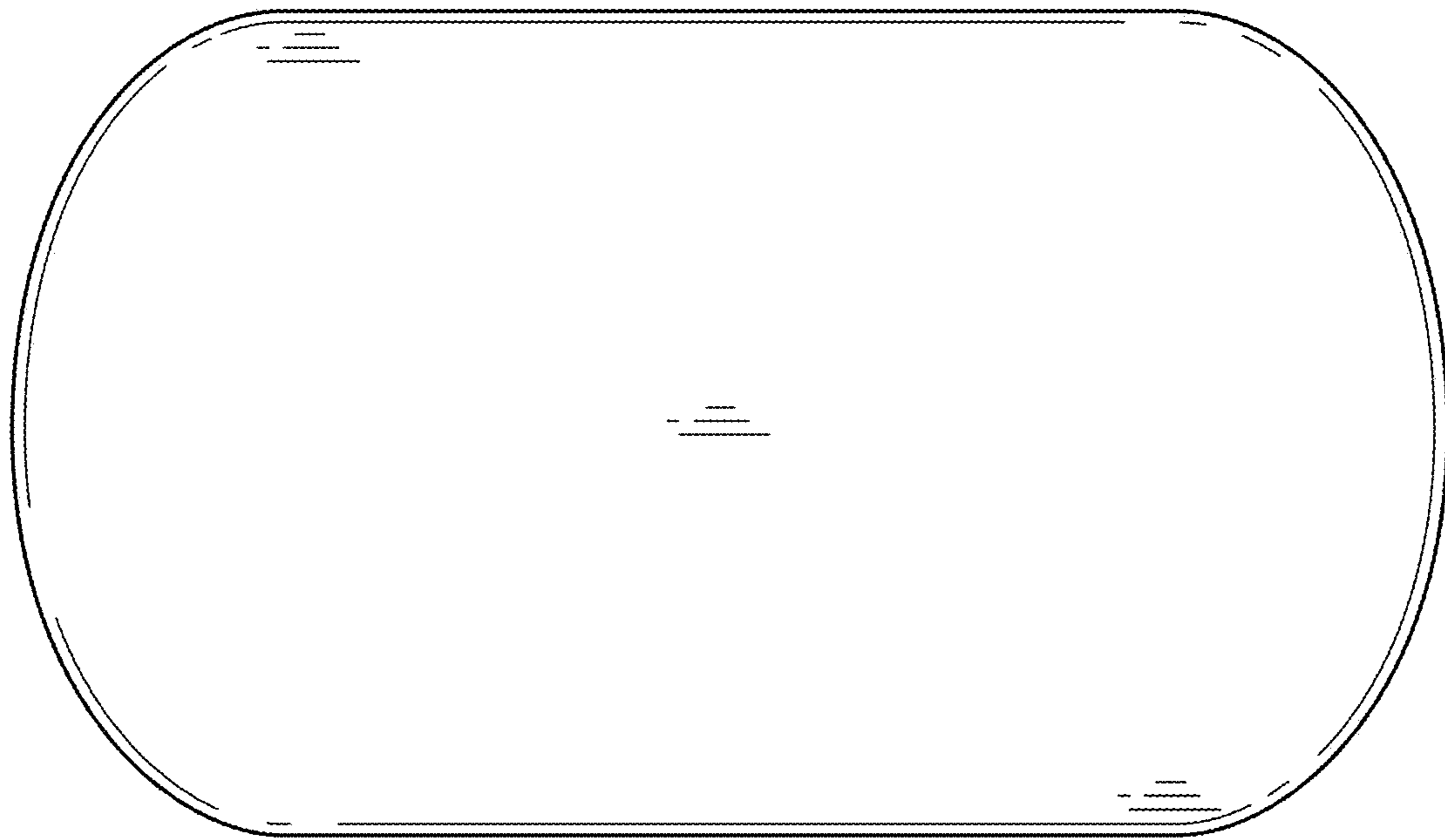


FIG. 5

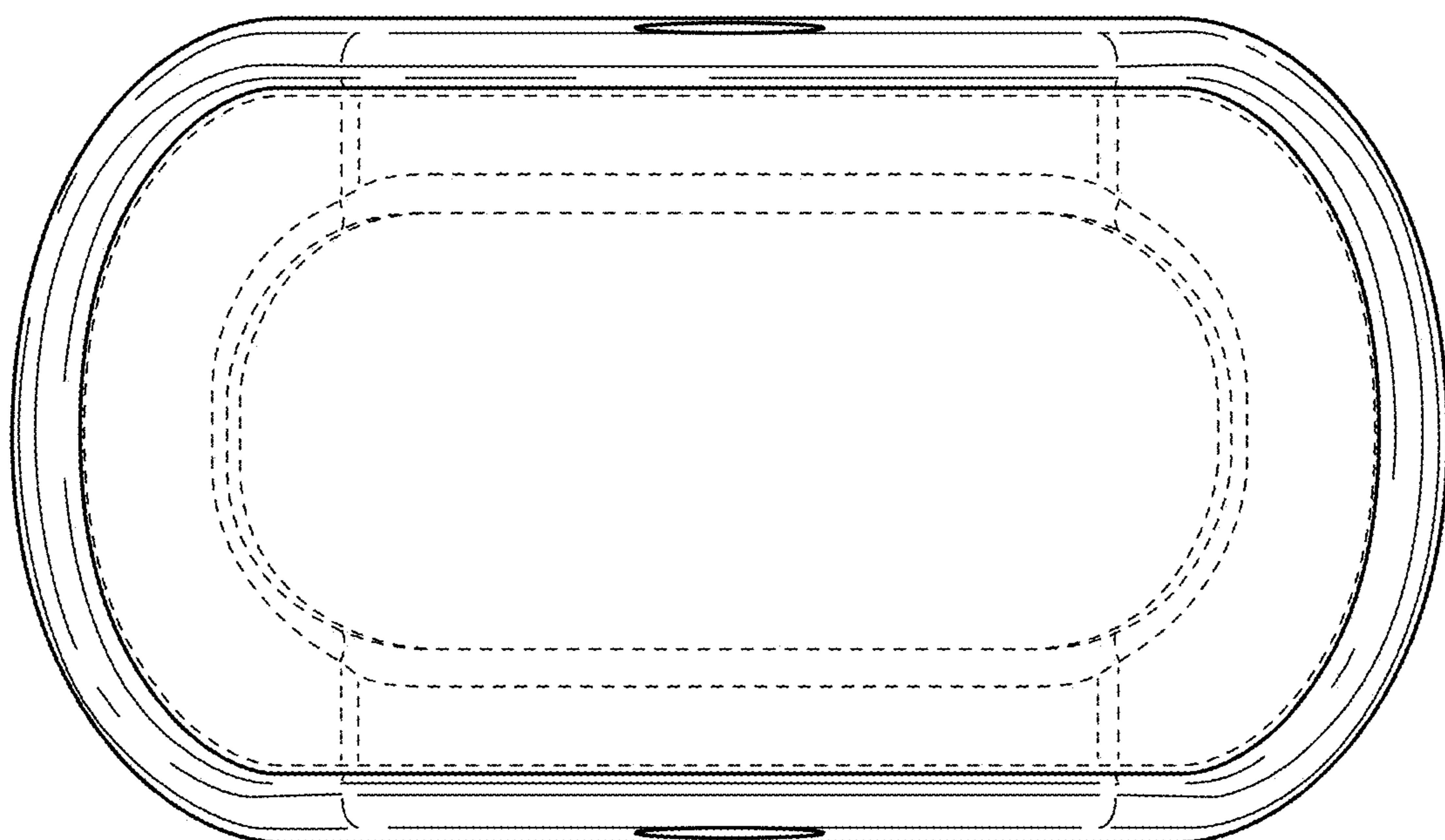


FIG. 6

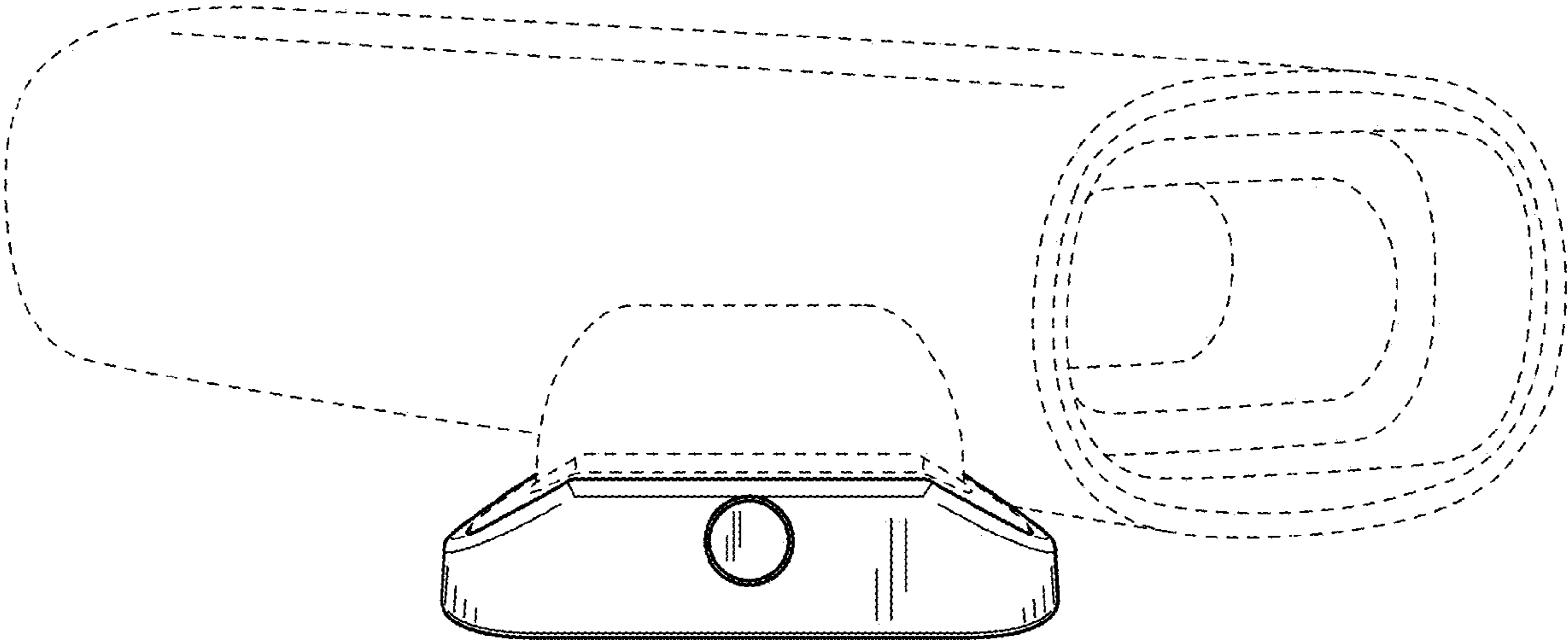


FIG. 7