



US00D894479S

(12) **United States Design Patent** (10) **Patent No.:** **US D894,479 S**  
**Cheung et al.** (45) **Date of Patent:** **\*\* Aug. 25, 2020**

(54) **VAPORIZER DEVICE**

(71) Applicant: **JUUL Labs, Inc.**, San Francisco, CA (US)

(72) Inventors: **Brandon Cheung**, San Francisco, CA (US); **Kevin Lomeli**, San Francisco, CA (US); **James Monsees**, San Francisco, CA (US)

(73) Assignee: **JUUL Labs, Inc.**, San Francisco, CA (US)

(\*\*) Term: **15 Years**

(21) Appl. No.: **29/668,094**

(22) Filed: **Oct. 26, 2018**

(51) **LOC (12) Cl.** ..... **27-02**

(52) **U.S. Cl.**  
USPC ..... **D27/162**

(58) **Field of Classification Search**  
USPC ..... D27/100, 101, 106, 108, 162-172, 174, D27/175, 183, 185-194; D24/110, 110.5;  
(Continued)

(56) **References Cited**

**U.S. PATENT DOCUMENTS**

D346,581 S \* 5/1994 Tattari ..... D13/103  
D532,927 S \* 11/2006 Sann ..... D27/101  
(Continued)

**FOREIGN PATENT DOCUMENTS**

AU 3458541 5/2013  
AU 354858 4/2014  
(Continued)

**OTHER PUBLICATIONS**

<http://www>,warunalistrik.conVimages/rokok%20elektrik%20eksklusiffa\_Wag; Aug. 1, 2012; Rokok Elektrik ( E Health Cigarette) cidw Blog.

(Continued)

*Primary Examiner* — Marissa J Cash  
*Assistant Examiner* — Rebecca Tsehaye

(74) *Attorney, Agent, or Firm* — Mintz Levin Cohn Ferris Glovsky and Popeo, P.C.

(57) **CLAIM**

The ornamental design for a vaporizer device, as shown and described.

**DESCRIPTION**

FIG. 1 is a bottom, front, and right side perspective view of a first embodiment of a vaporizer device showing our new design;

FIG. 2 is a top, rear, and right side perspective view thereof;

FIG. 3 is a front view thereof;

FIG. 4 is a rear view thereof;

FIG. 5 is a left side view thereof;

FIG. 6 is a right side view thereof;

FIG. 7 is a top view thereof; and

FIG. 8 is a bottom view thereof.

FIG. 9 is a bottom, front, and right side perspective view of a second embodiment of a vaporizer device showing our new design;

FIG. 10 is a top, rear, and right side perspective view thereof;

FIG. 11 is a front view thereof;

FIG. 12 is a rear view thereof;

FIG. 13 is a left side view thereof;

FIG. 14 is a right side view thereof;

FIG. 15 is a top view thereof; and

FIG. 16 is a bottom view thereof.

FIG. 17 is a bottom, front, and right side perspective view of a third embodiment of a vaporizer device showing our new design;

FIG. 18 is a top, rear, and right side perspective view thereof;

FIG. 19 is a top, front, and right side perspective view thereof;

FIG. 20 is a top, rear, and left side perspective view thereof;

FIG. 21 is a front view thereof;

FIG. 22 is a rear view thereof;

FIG. 23 is a left side view thereof;

(Continued)

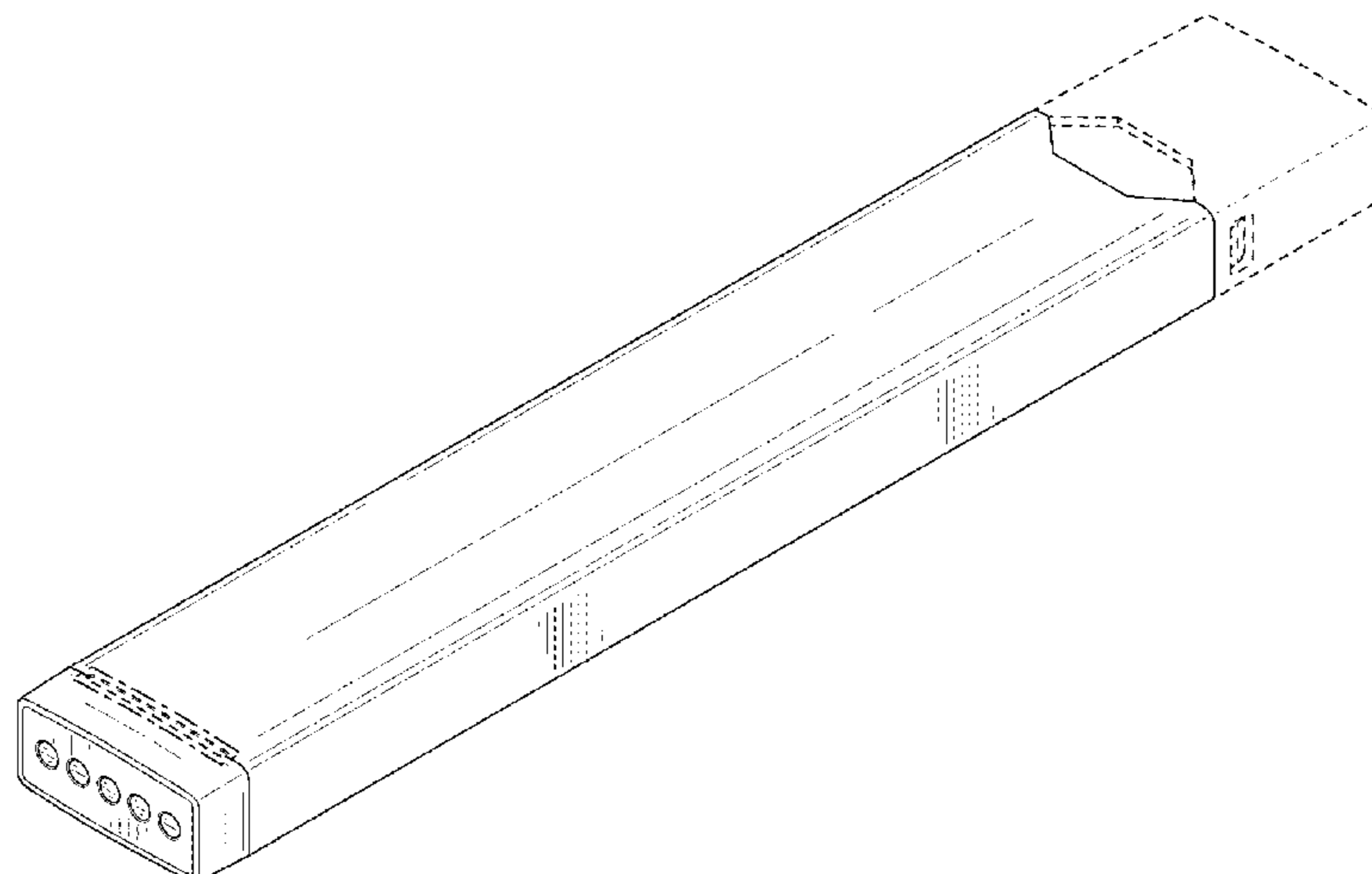


FIG. 24 is a right side view thereof;  
 FIG. 25 is a top view thereof; and  
 FIG. 26 is a bottom view thereof.  
 FIG. 27 is a bottom, front, and right side perspective view of a fourth embodiment of a vaporizer device showing our new design in an alternative configuration of use;  
 FIG. 28 is a top, rear, and right side perspective view thereof;  
 FIG. 29 is a front view thereof;  
 FIG. 30 is a rear view thereof;  
 FIG. 31 is a left side view thereof;  
 FIG. 32 is a right side view thereof;  
 FIG. 33 is a top view thereof; and,  
 FIG. 34 is a bottom view thereof.  
 The dash-dash broken lines illustrate portions of the vaporizer device that form no part of the claimed design.  
 The dash-dot lines illustrate boundary lines that form no part of the claimed design. The areas within the dash-dot lines form no part of the claimed design.  
 The portion in FIGS. 27-34 shown shaded grey represents a contrast in appearance.

**1 Claim, 21 Drawing Sheets**

(58) **Field of Classification Search**

USPC ..... 128/202.21, 203.12; 131/273, 274, 191, 131/328-330  
 CPC .... A24F 47/002; A24F 47/006; A24F 47/008; A61M 15/00; A61M 15/06  
 See application file for complete search history.

(56) **References Cited**

U.S. PATENT DOCUMENTS

D750,320 S *	2/2016	Verleur	.....	A24F 47/008
				D27/101
D752,278 S	3/2016	Verleur et al.		
9,781,953 B2	10/2017	Verleur et al.		
D815,345 S *	4/2018	Forecast	.....	D27/189
D819,881 S *	6/2018	Qiu	.....	D27/101
D825,102 S *	8/2018	Bowen	.....	D27/167
D827,920 S *	9/2018	Fornarelli	.....	D27/101
D834,702 S *	11/2018	Evans	.....	D24/110
D836,831 S *	12/2018	Cividi	.....	D27/162
10,159,282 B2	12/2018	Monsees et al.		
D843,650 S *	3/2019	Verleur	.....	D27/172
D844,229 S *	3/2019	Sherwood	.....	D27/162
D849,996 S *	5/2019	Duque	.....	D27/194
D851,830 S *	6/2019	Lomeli	.....	D27/194
2015/0305409 A1	10/2015	Verleur et al.		

2016/0366947 A1	12/2016	Monsees et al.
2017/0071256 A1	3/2017	Verleur et al.
2017/0258133 A1	9/2017	Ampolini et al.
2018/0077967 A1	3/2018	Hatton et al.
2018/0153220 A1	6/2018	Verleur et al.

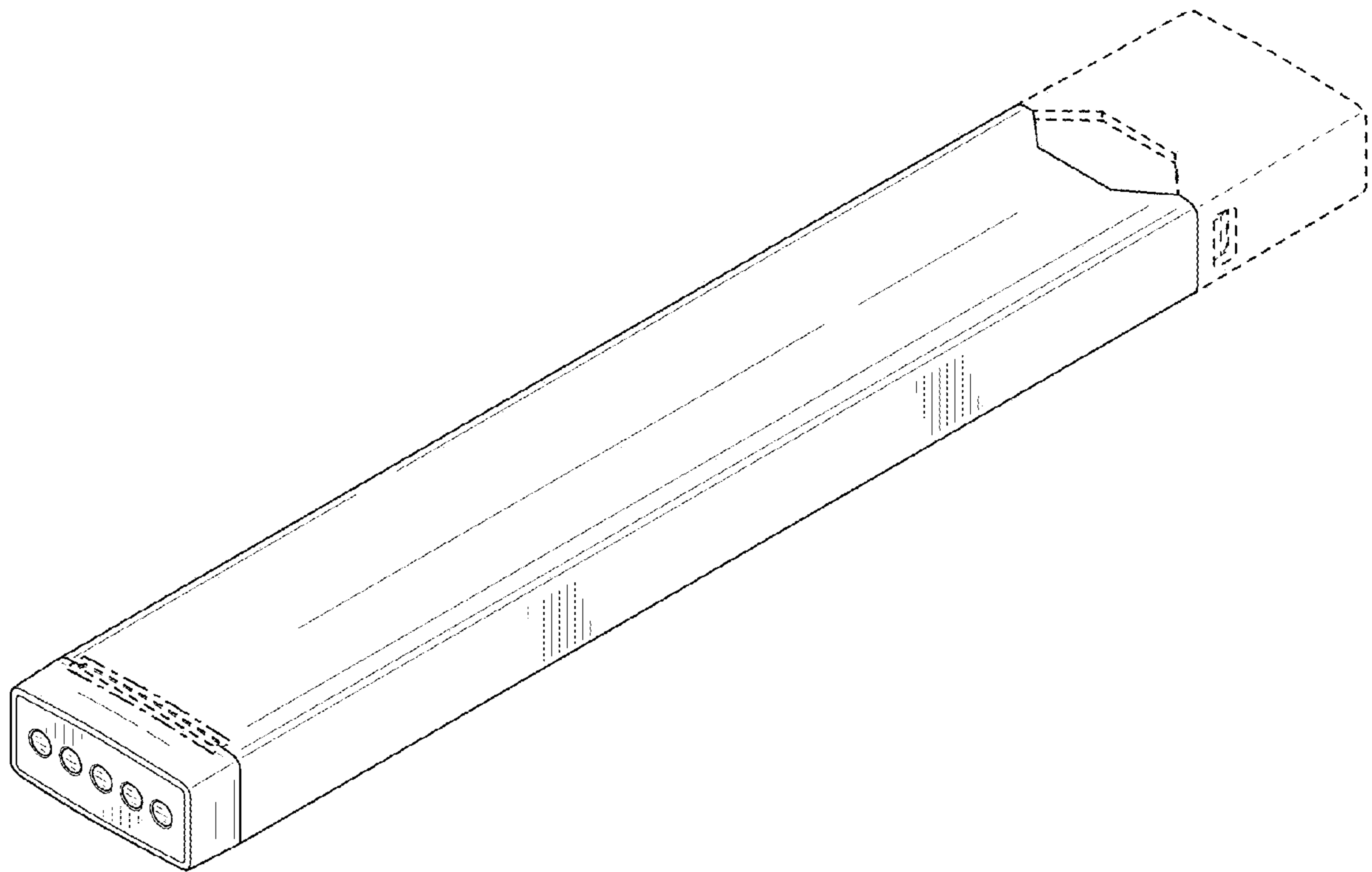
FOREIGN PATENT DOCUMENTS

CN	303103390	2/2015
CN	304067430	3/2017
ID	A00201800286	2/2018
ID	A00201800289	2/2018
ID	A00201802176	8/2018
ID	A00201802180	8/2018
JP	D1463338	3/2013
TW	201805033 A	2/2018
TW	201815301 A	5/2018

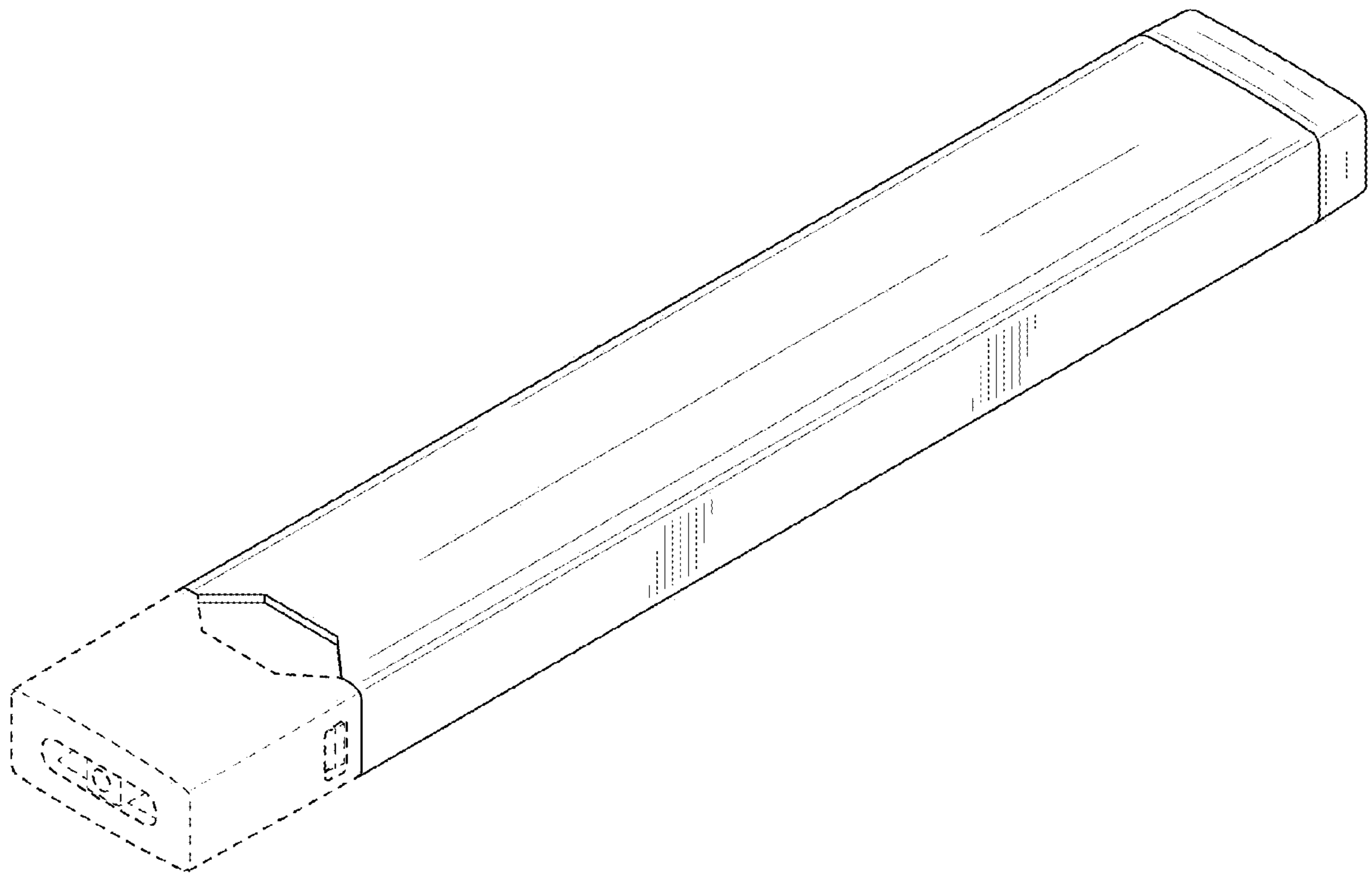
OTHER PUBLICATIONS

<https://encrypted-> tbnO.gstatic.com/images?q=tbn:ANd9GcTsMxeFuSA9zsa6PjN7wEx <http://tbnO.gstatic.com/images?q=tbn:ANd9GcTsMxeFuSA9zsa6PjN7wEx> qmRsvEdcF02Gw8G211hmoVt0X\_u0; Jul. 23, 2018; Juul Starter Kit w/ Pods.  
 <https://encrypted-tbn0.gstatic.com/images?g=tbnANd9GcT-gMXBhOsgqfy1bSP\_1lkky4ib-dGIBtqa1t9uAXah6U1XWB4;>gMXBhOsgqfy1bSP\_1lkky4ib-dGIBtqa1t9uAXah6U1XWB4; Oct. 7, 2018, 2; Juul Starter Kit.  
 <https://images-na.sskimages-> amazon.com/furnages/1/511q0vRQFZL.jpg; Mar. 26, 2018; Amazon.com: <http://Amazon.com:> Original Skin Decal for Pax Juul (Wrap Only, Device Is Not Included)—Protective Sticker (Vans): Cell Phones & Accessories.  
 <https://tshop.r10s.com/184/e44/19a9/ee14/706f/21f8/510>c/1100e889a554ab3a295840.jpg; Mar. 6, 2018; Skin for Pax Juul—Red Cigarette Packl MightySkins Protective, Durable, and Unique Vinyl Decal wrap covert Easy to Apply, Remove, and Chance Styles.  
 https://encrypted-tbnO.gstatic.conVimages?q=tbn:ANId9GcRXGQ &XC04x7J45i6Y7Nvc03mbaEjTDiDreDL0GKSAkO-Haw1VVwA; Mar. 23, 2018; Supreme Clouds—Juul Skin.  
 https://images-na\_sskimages-amazon.com/images/1/41nmlbGfvFLjpg; <http://amazon.com/images/1/41nmlbGfvFLjpg;> 10 Maret 2018 3:41:26; Juul Decal by WrapBeasts.com <http://WrapBeasts.com> I Juul Skin I Juul Wrap I Supreme X Gucci Snake: Amazon.ca: Cell Phones & Accessories.  
 https://m.post.naver.com/viewer/postView.nhn?volumeNo=11914904 &memberNo=36192990&vType=VERTICAL (Jan. 8, 2018).  
 https://www.ejuiceconnect.com/Juul-Basic-Kit-by-Juul-p/juul-black-basic-kit.htm (Apr. 4, 2018).  
 Syracuse's Logo?Central NY News?Is that a flash drive or an e-cig? What Central NY parents should know about, Juul https://www.syracuse.com/news/2018/03/is\_that\_a\_flash\_drive\_or\_an\_e-cig\_what\_central\_ny\_parents\_should\_know\_about\_juul\_1.html.

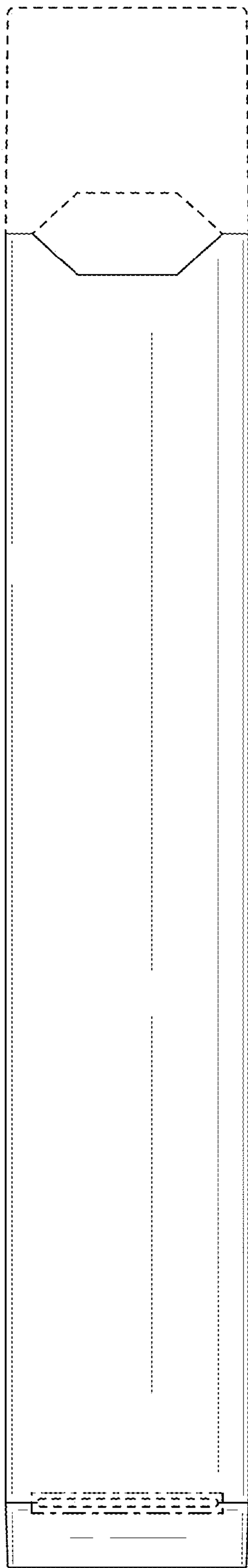
\* cited by examiner



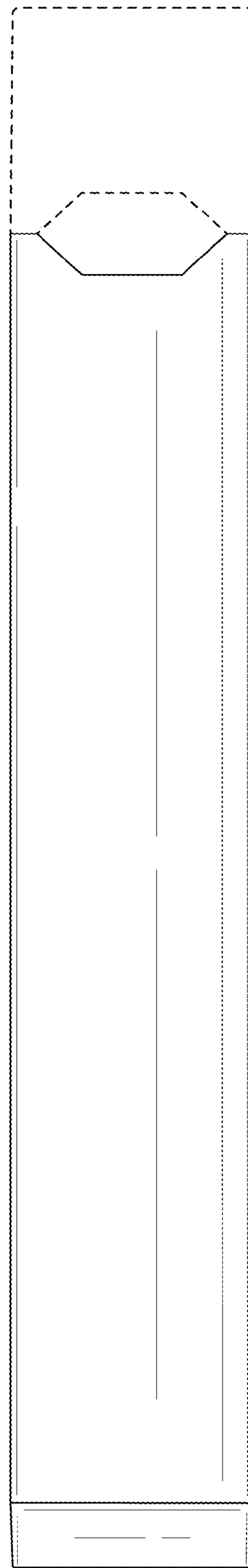
**FIG. 1**



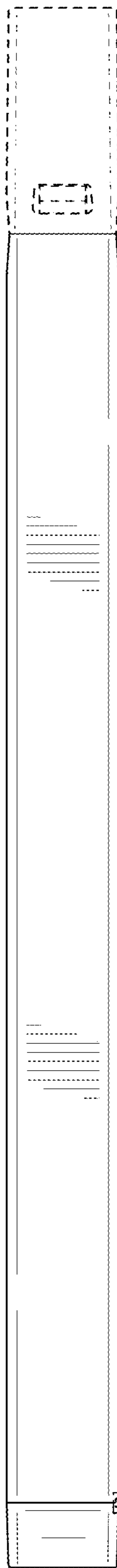
**FIG. 2**



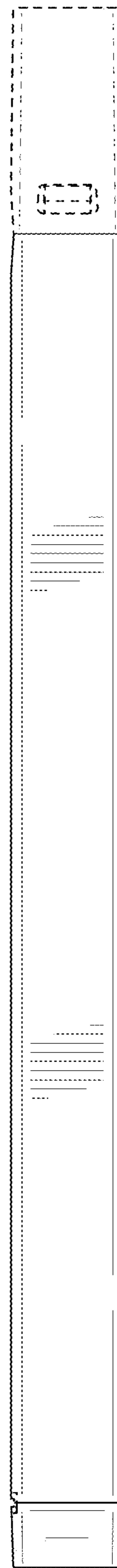
**FIG. 3**



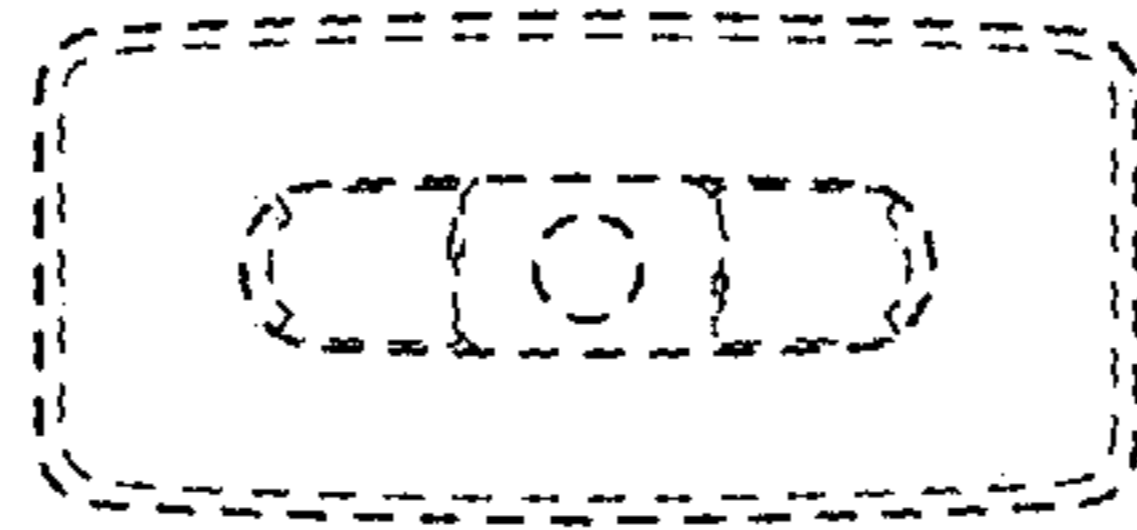
**FIG. 4**



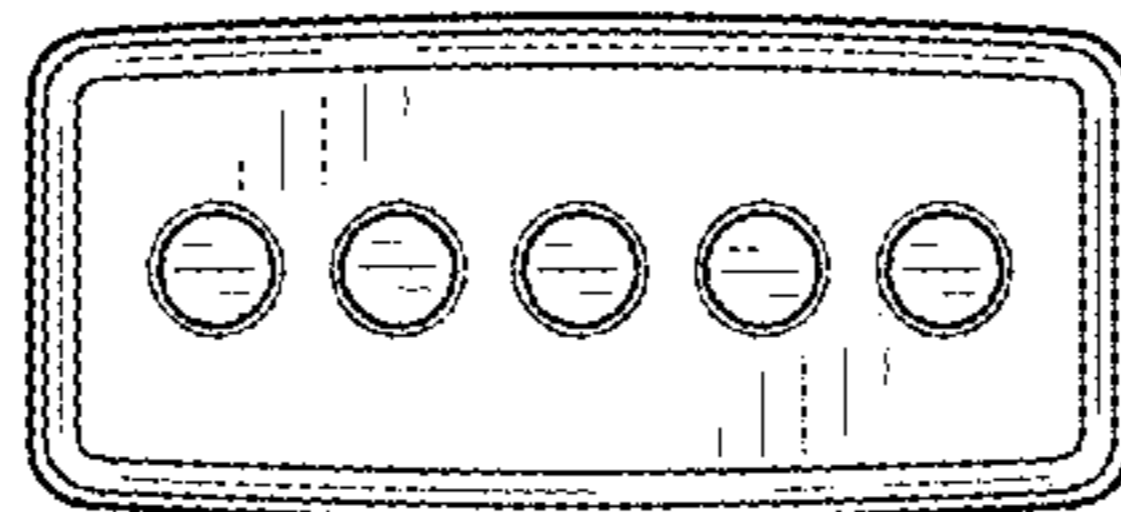
**FIG. 5**



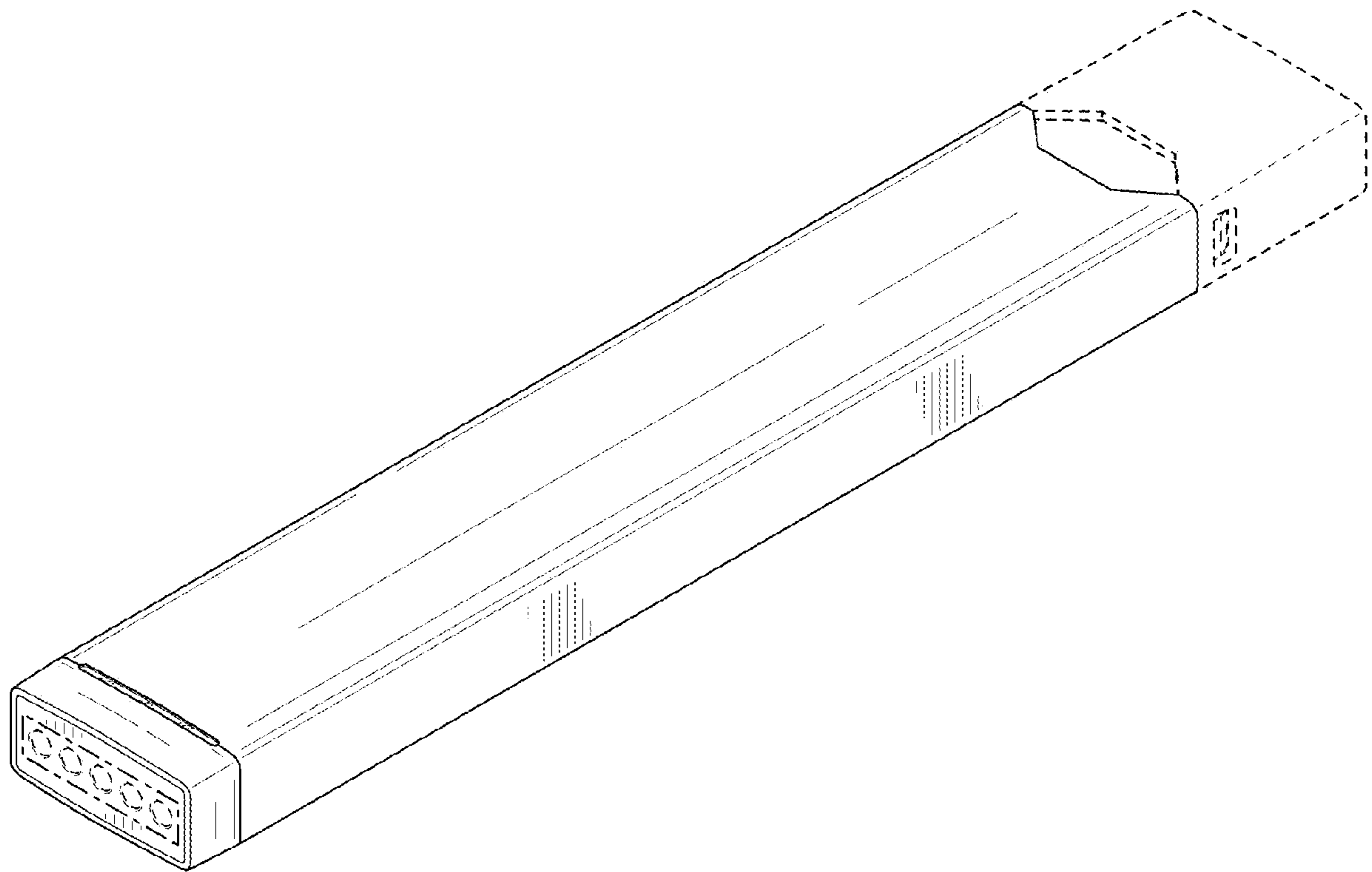
**FIG. 6**



**FIG. 7**

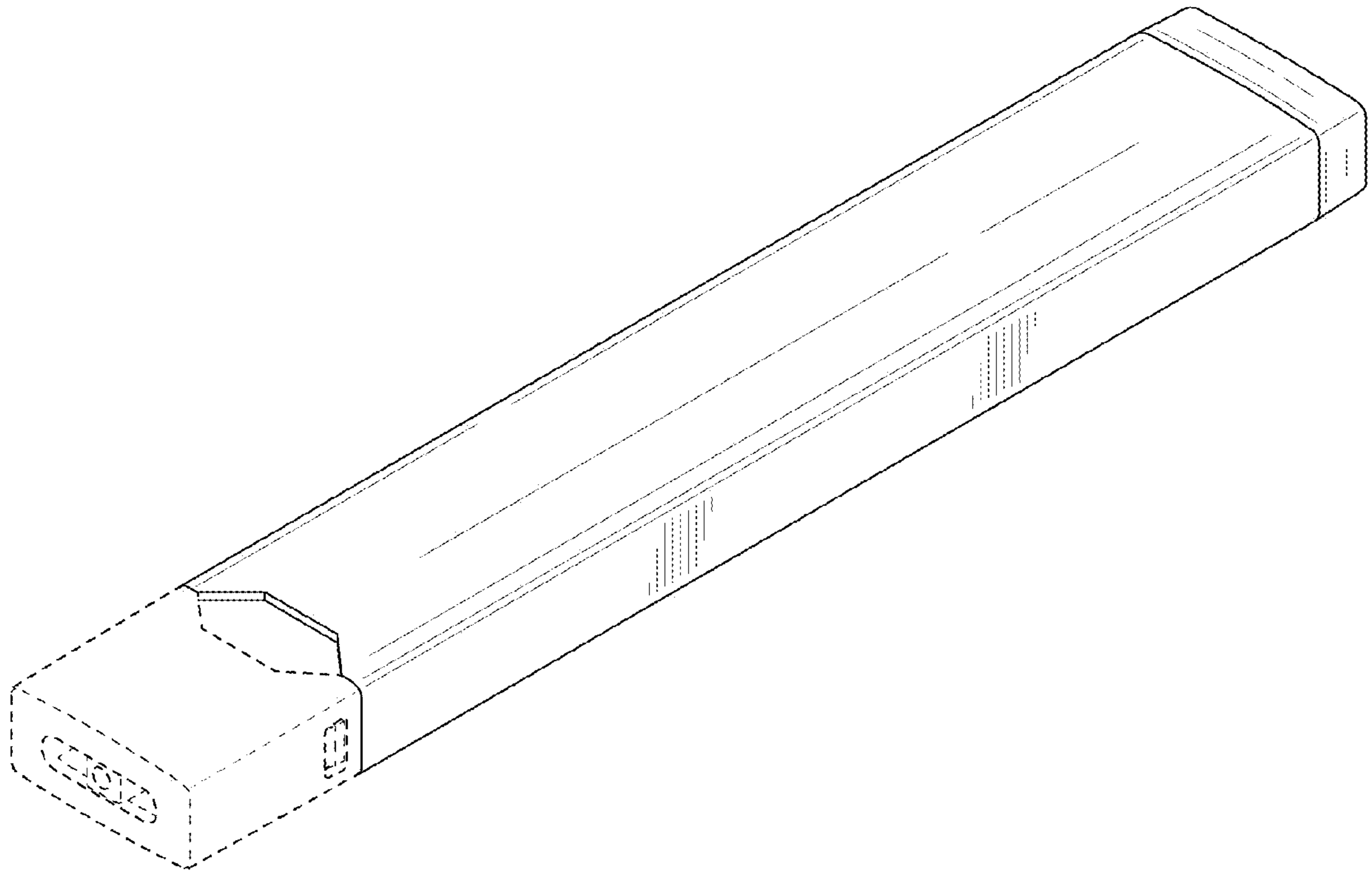


**FIG. 8**

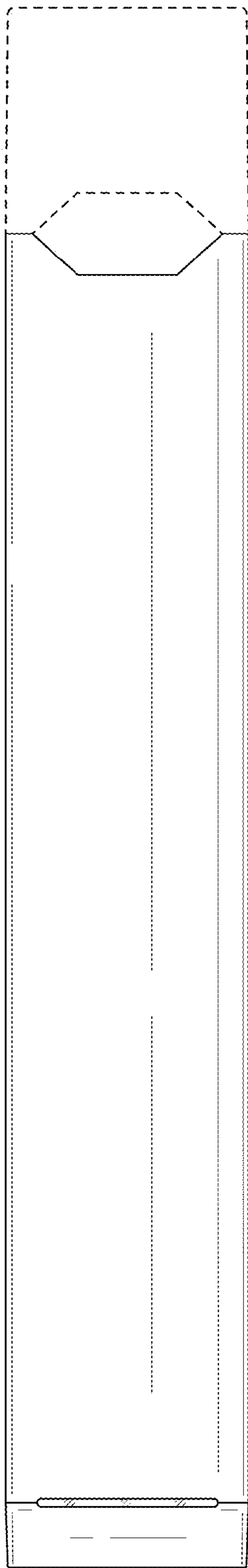


**FIG. 9**

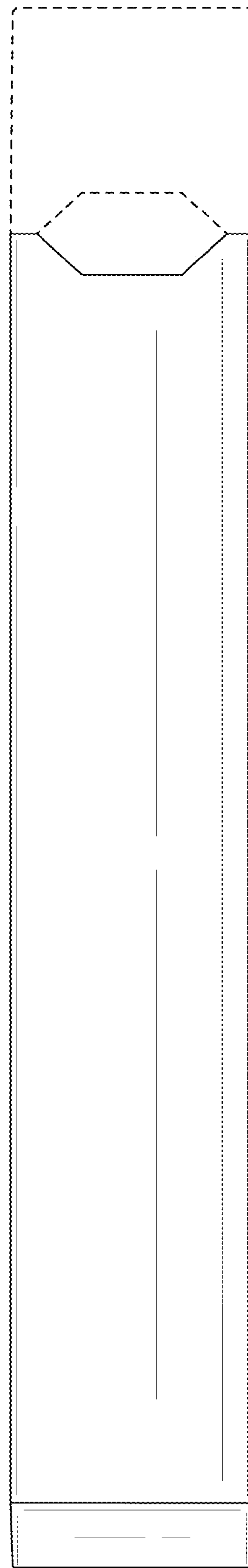




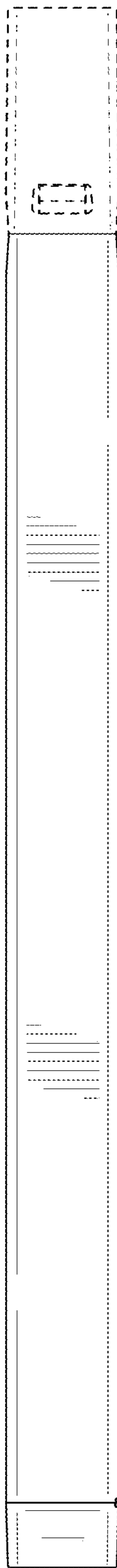
**FIG. 10**



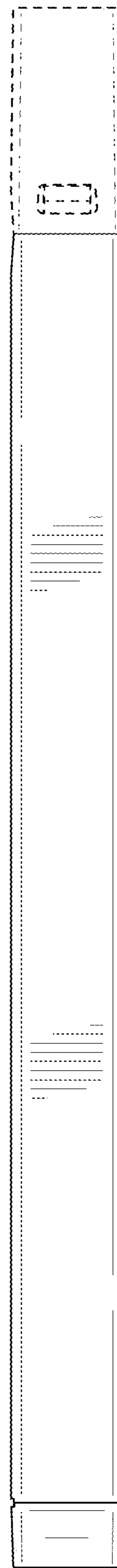
**FIG. 11**



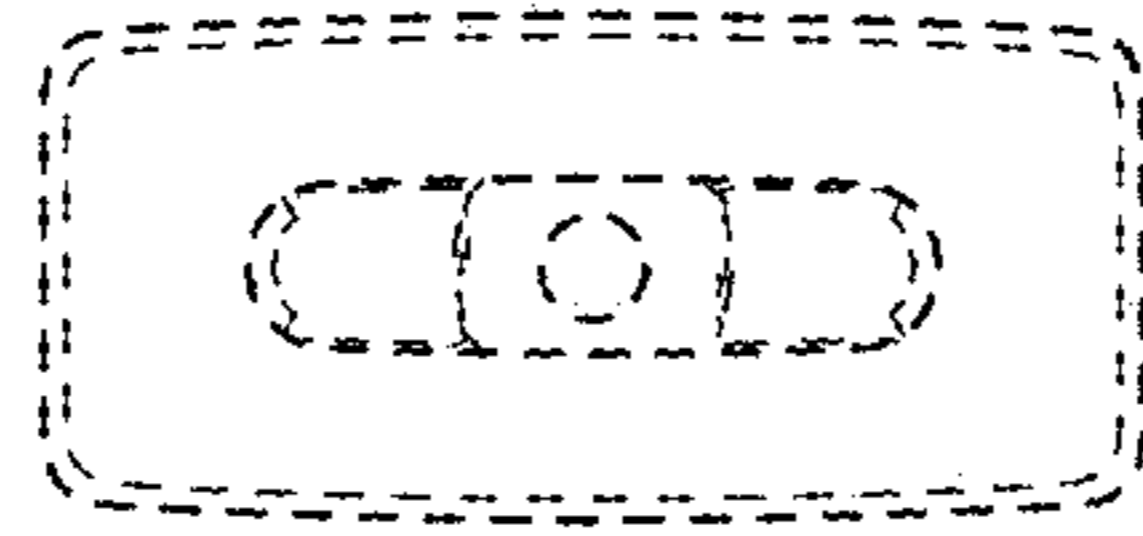
**FIG. 12**



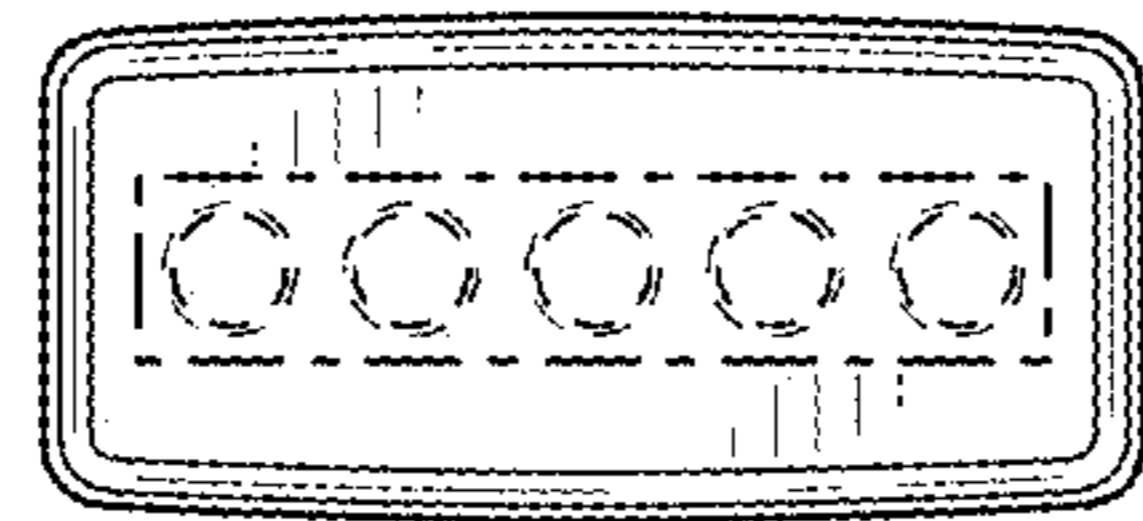
**FIG. 13**



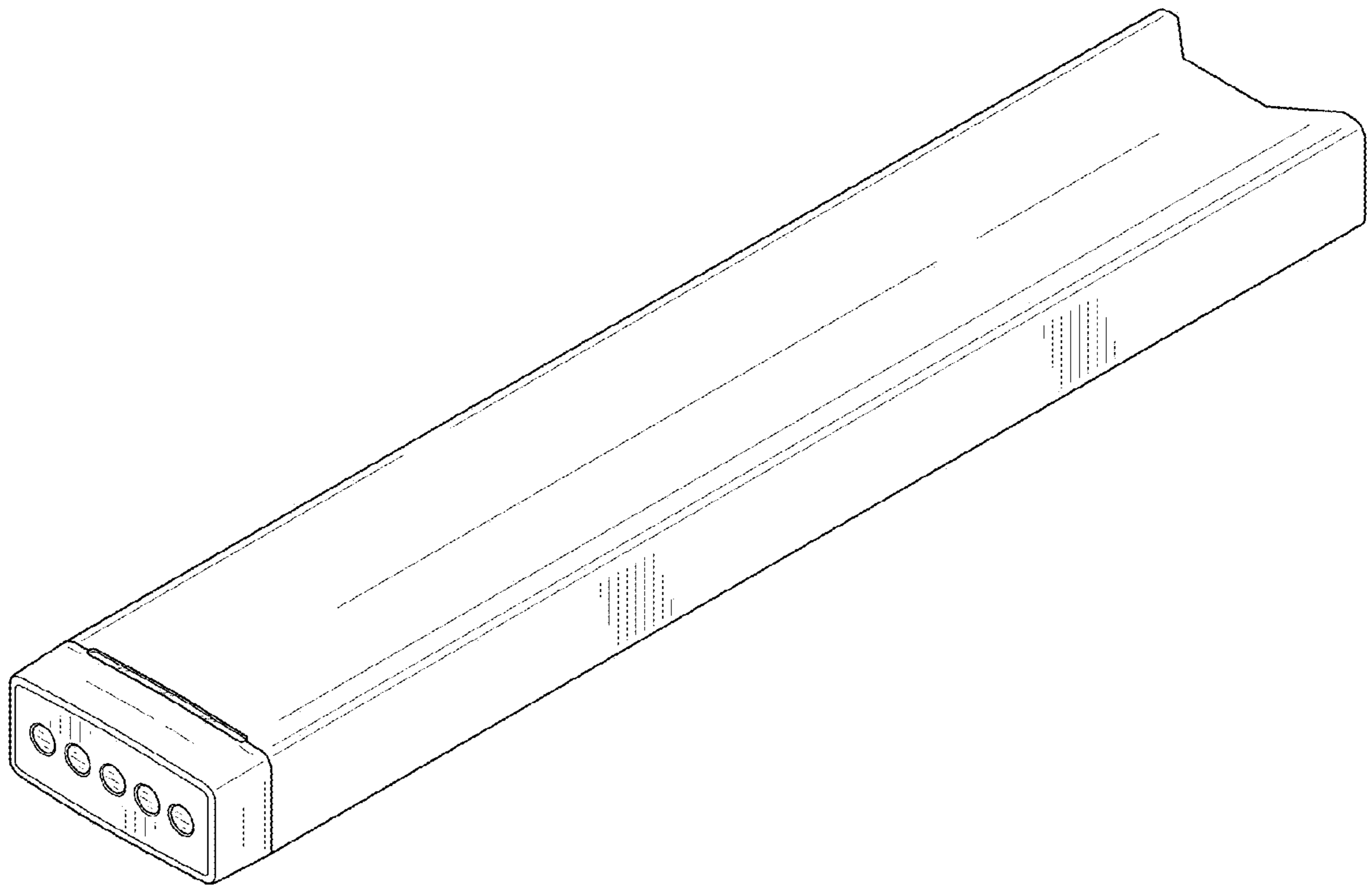
**FIG. 14**



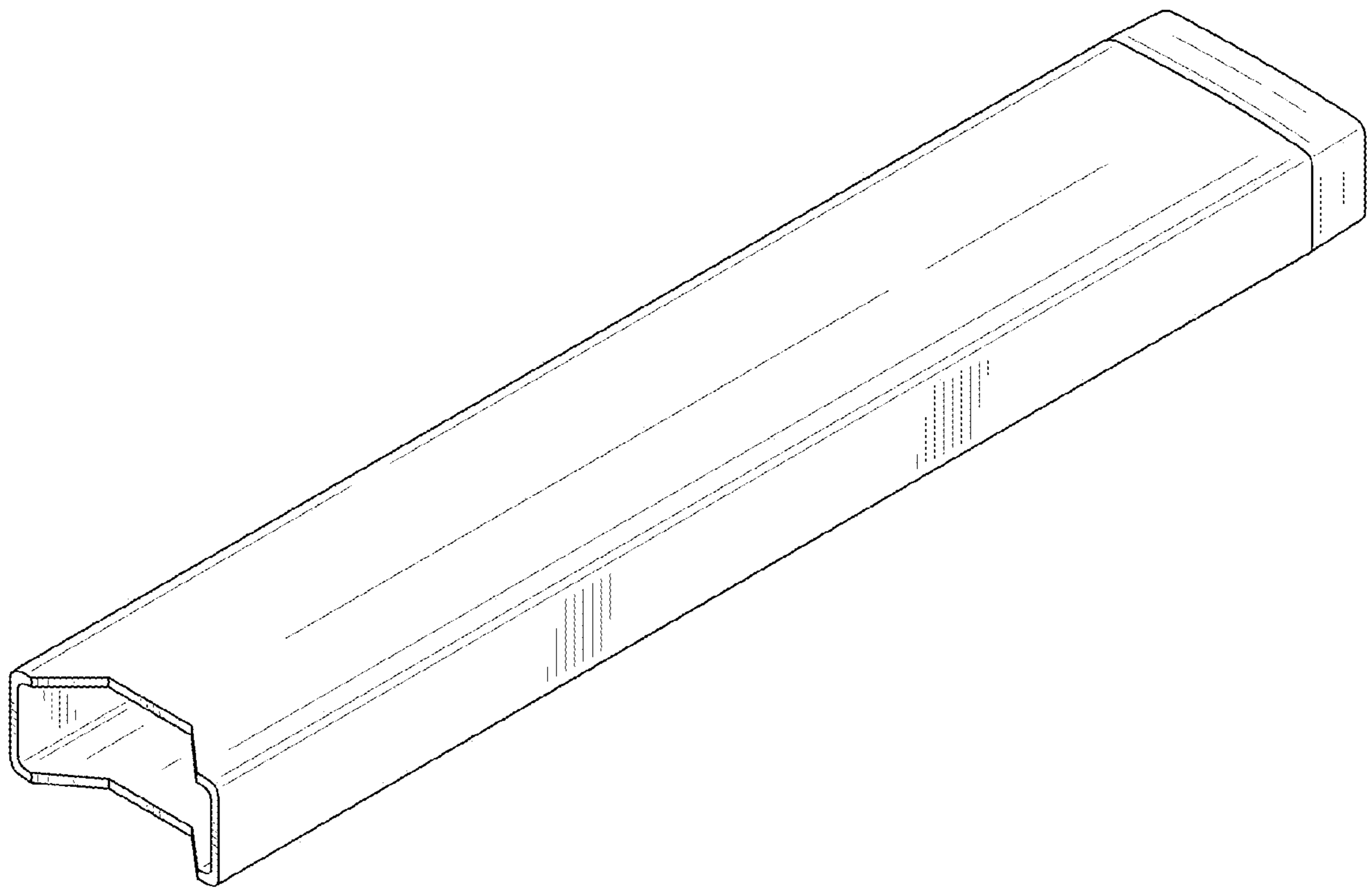
**FIG. 15**



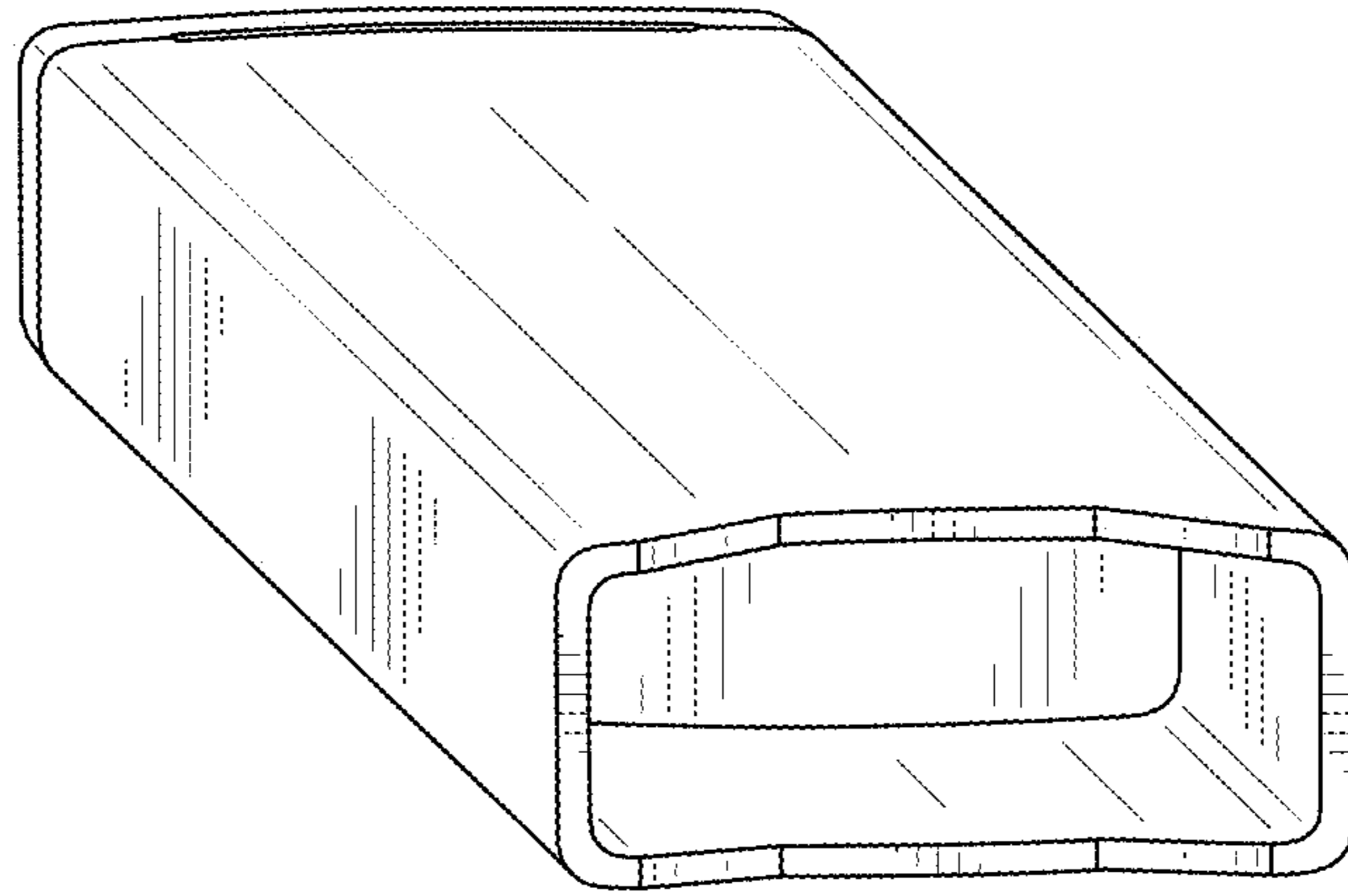
**FIG. 16**



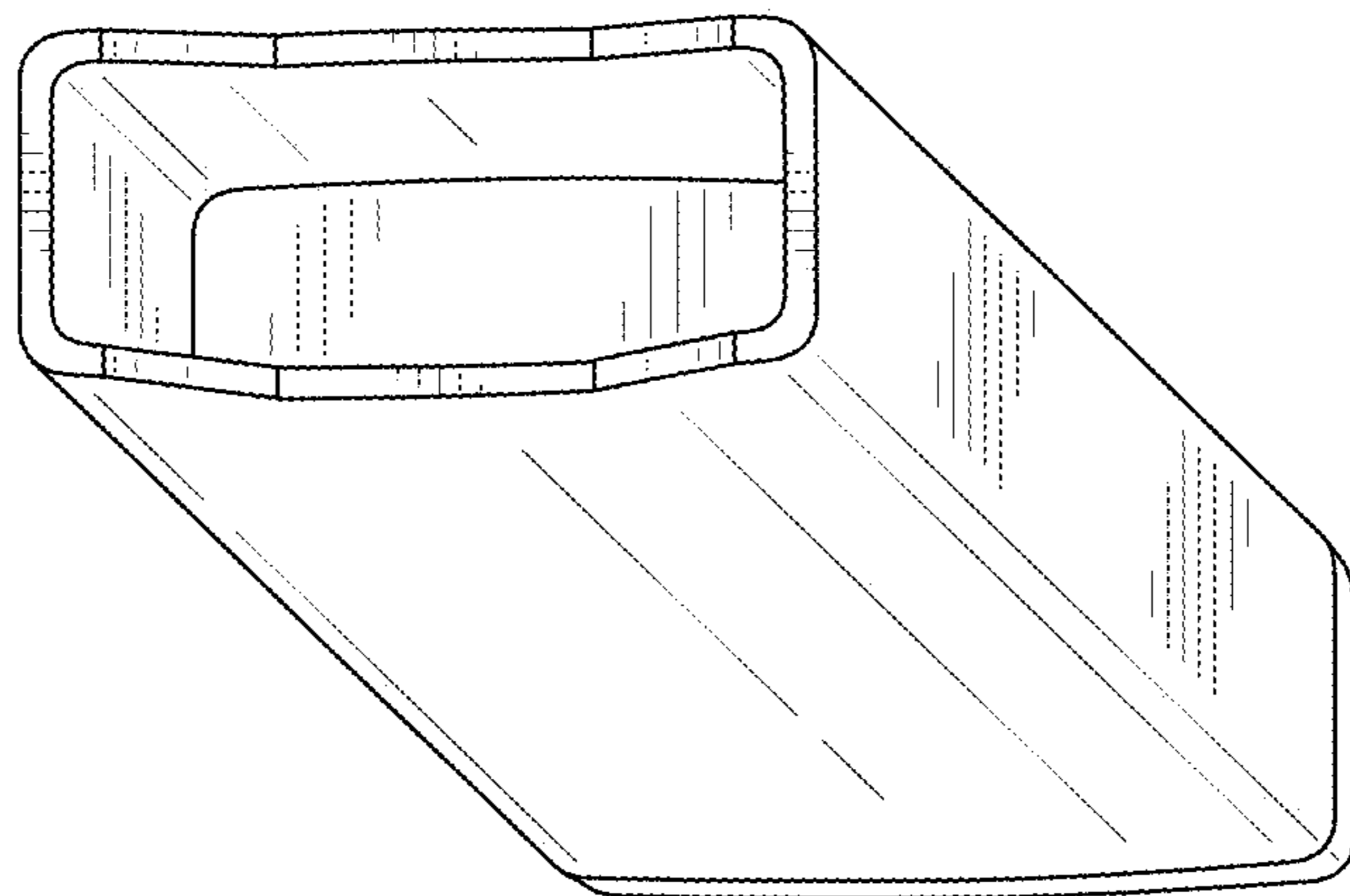
**FIG. 17**



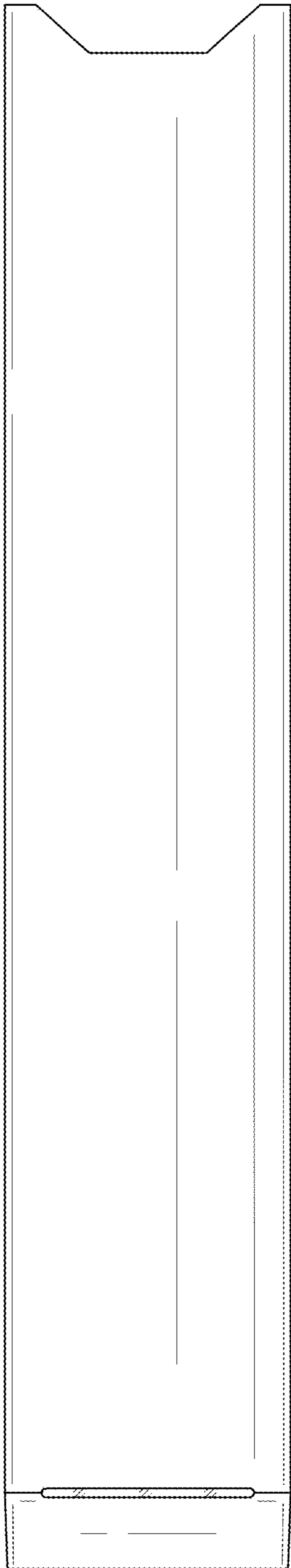
**FIG. 18**



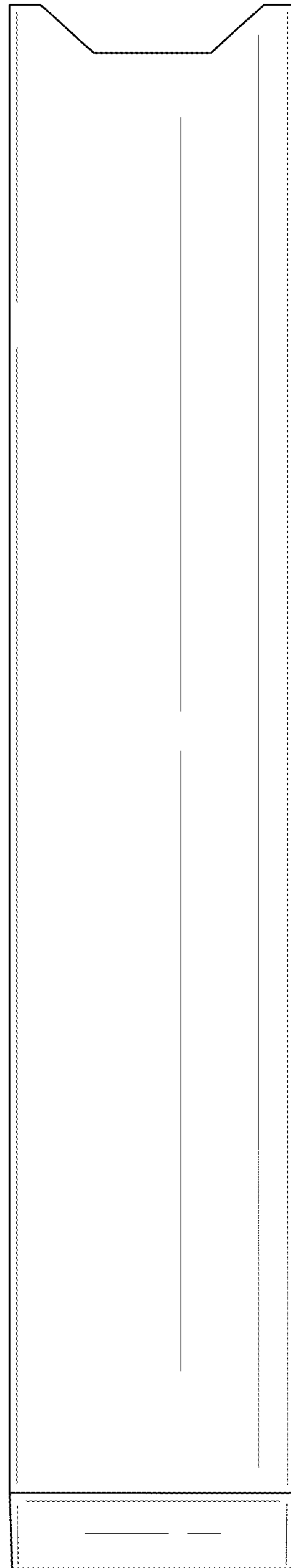
**FIG. 19**



**FIG. 20**

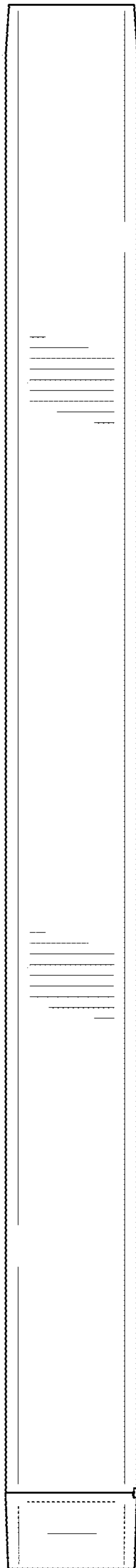


**FIG. 21**

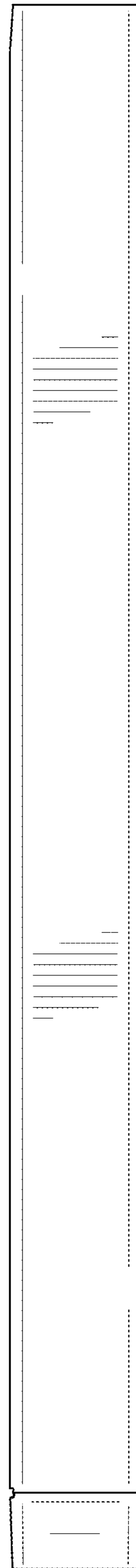


**FIG. 22**

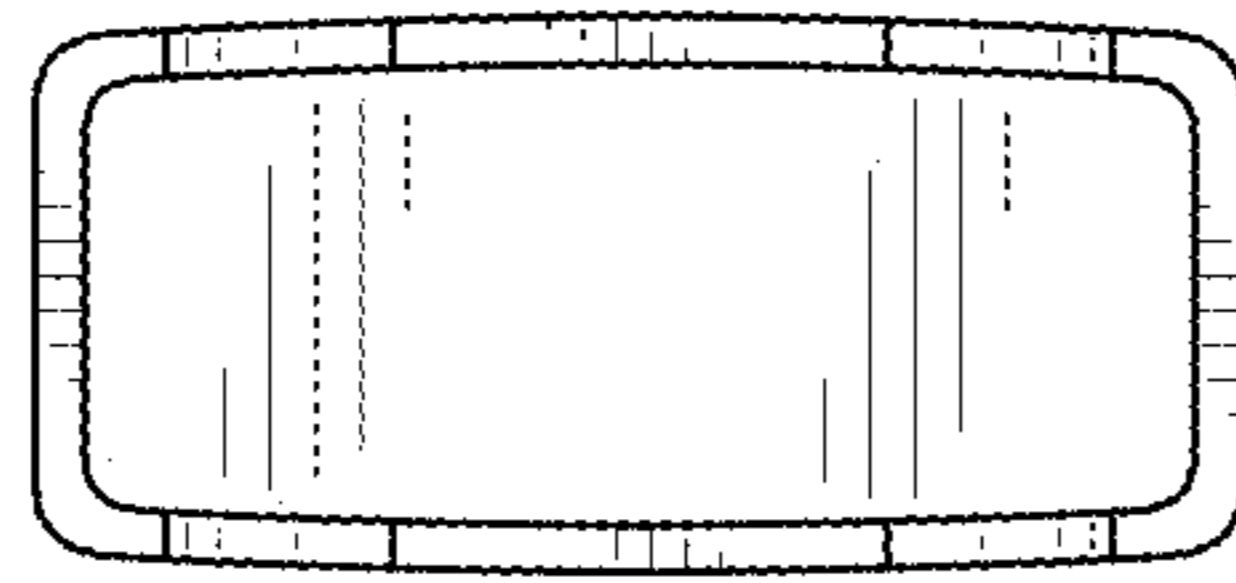




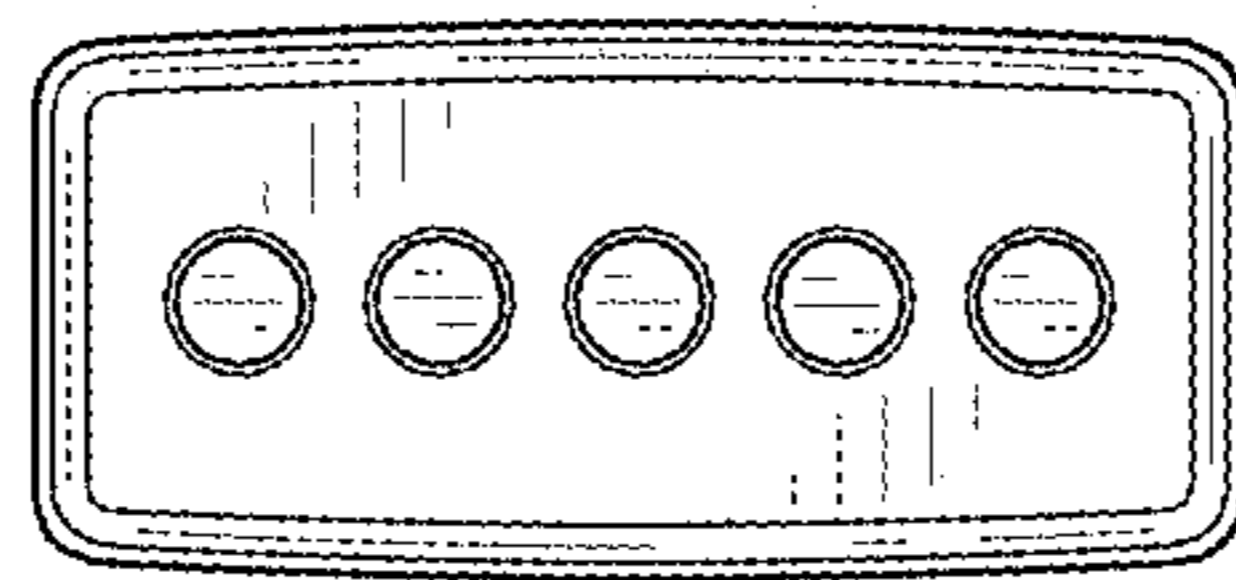
**FIG. 23**



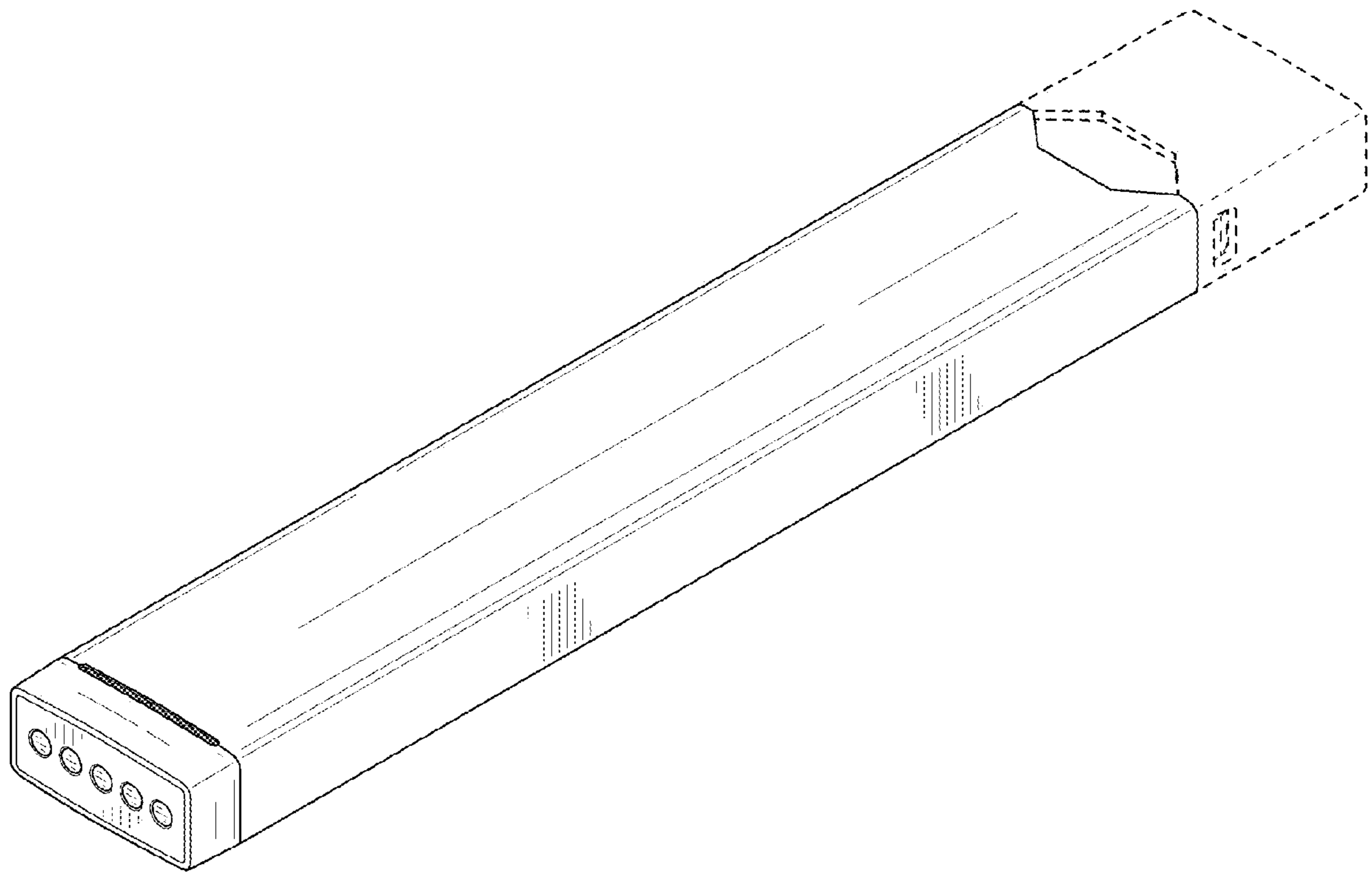
**FIG. 24**



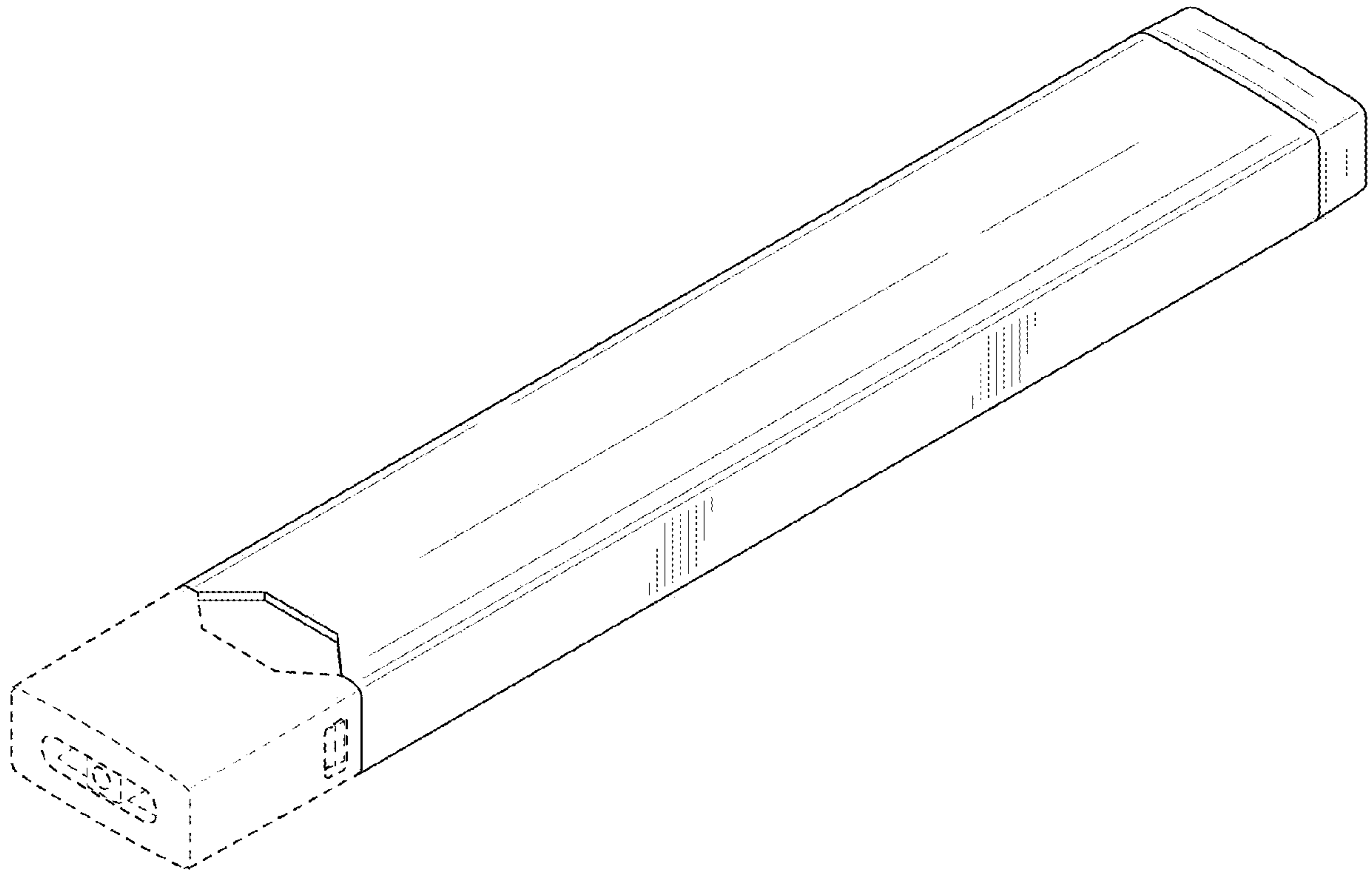
**FIG. 25**



**FIG. 26**



**FIG.27**



**FIG. 28**

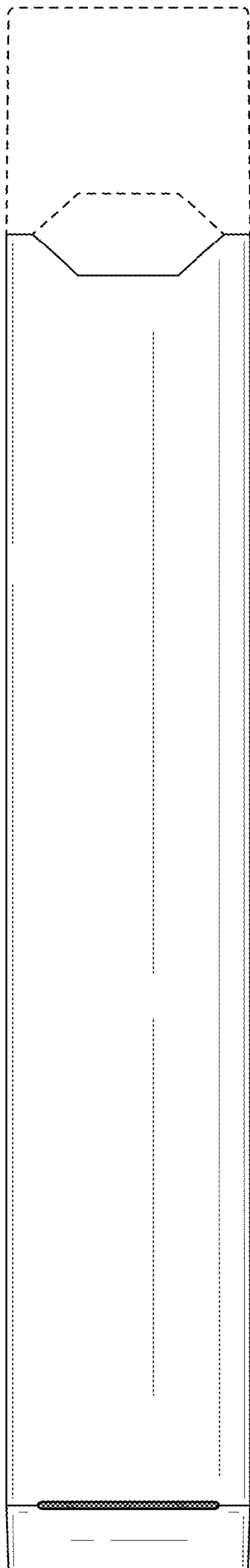


FIG. 29

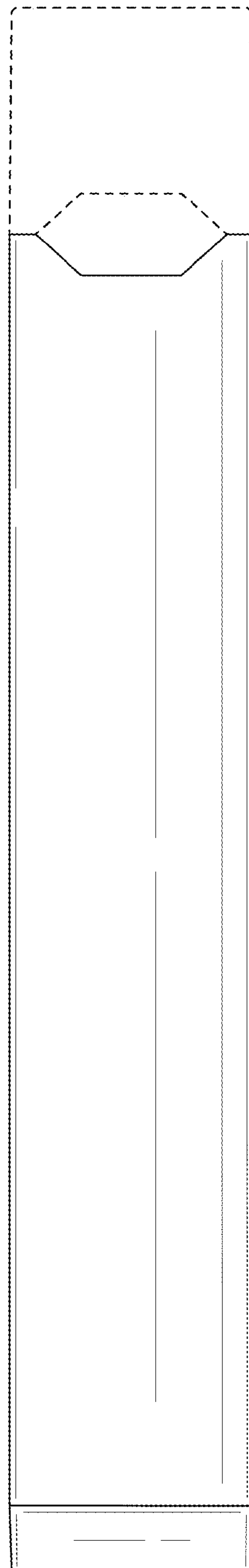


FIG. 30

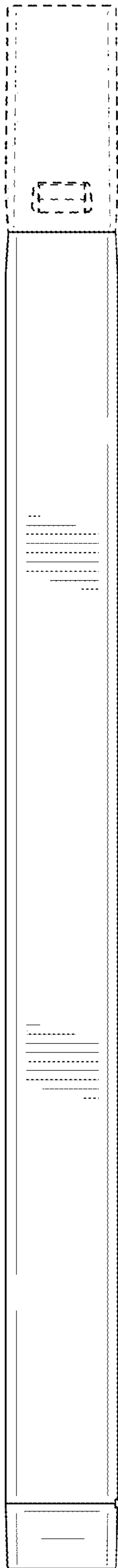


FIG. 31

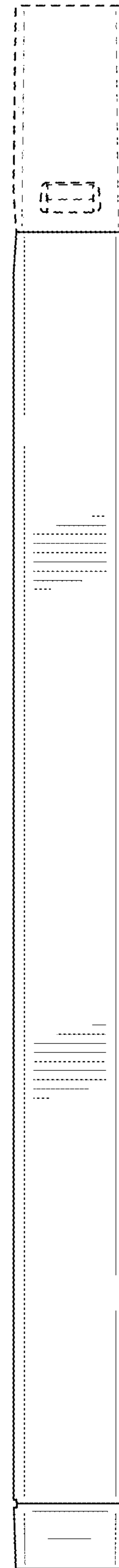


FIG. 32

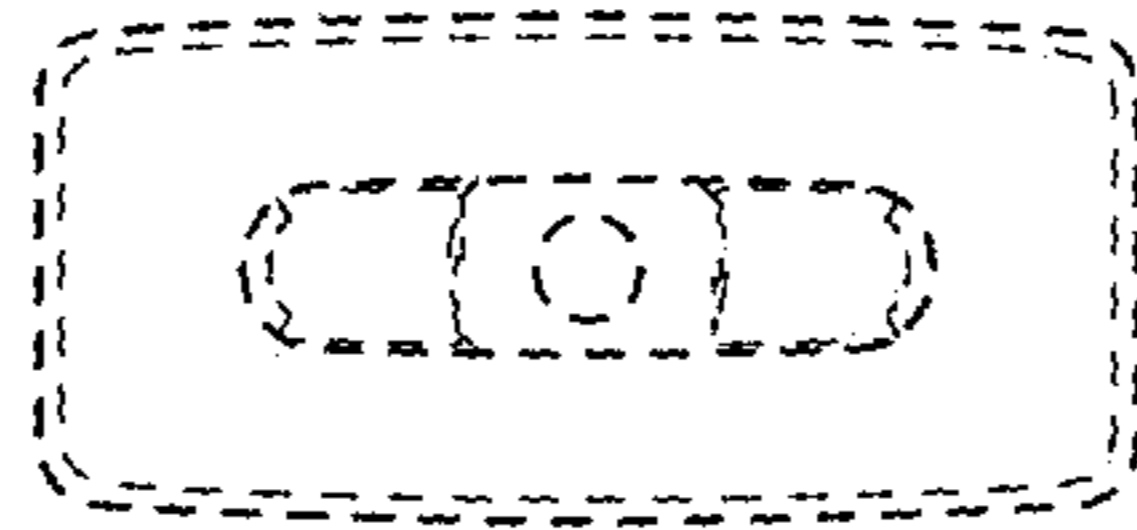


FIG. 33

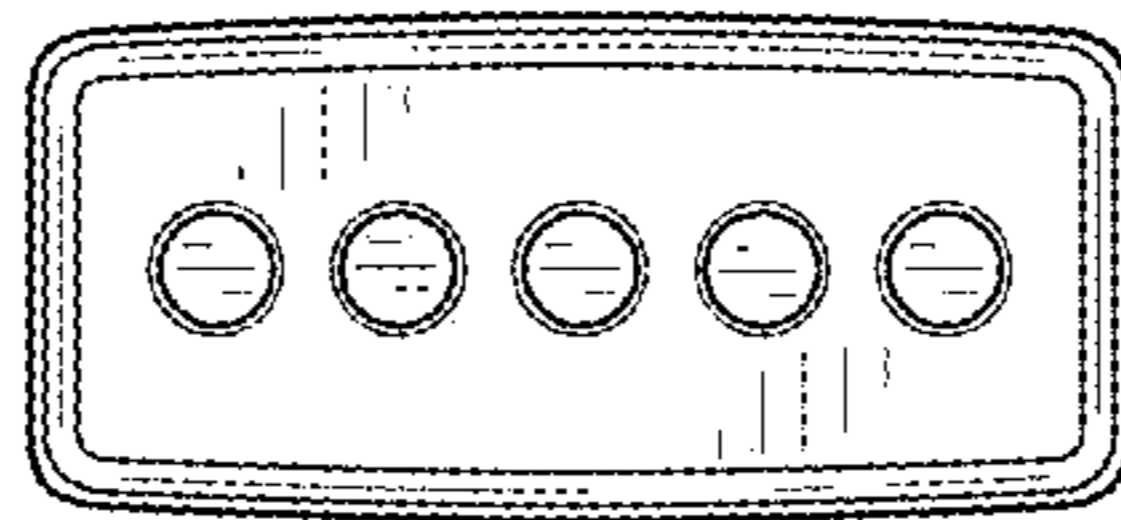


FIG. 34