



US00D894477S

(12) **United States Design Patent** (10) **Patent No.:** **US D894,477 S**
Peirce et al. (45) **Date of Patent:** **** Aug. 25, 2020**

(54) **AUGER FOR GLASS JOINT**
(71) Applicant: **Gravitron, LLC**, Austin, TX (US)
(72) Inventors: **Stephan Peirce**, Austin, TX (US);
Micah Evans, Austin, TX (US); **Travis**
Dodson, Austin, TX (US)

D861,242 S * 9/2019 Han D27/162
D865,278 S * 10/2019 Chen D27/167
D869,750 S * 12/2019 Zhang D27/162
D869,751 S * 12/2019 Zhang D27/162
10,548,346 B2 * 2/2020 Wrobel F23Q 7/02
2012/0211020 A1 * 8/2012 Garcia A45D 8/36
132/273

(73) Assignee: **Gravitron, LLC**, Austin, TX (US)

(**) Term: **15 Years**

(21) Appl. No.: **29/688,654**

(22) Filed: **Apr. 23, 2019**

(51) **LOC (12) Cl.** **27-01**

(52) **U.S. Cl.**
USPC **D27/101**

(58) **Field of Classification Search**
USPC D27/100, 163, 167, 169, 170, 194;
131/328-230, 178, 191, 196, 216, 225,
131/227, 228
CPC A24F 1/00; A24F 1/18; A24F 1/22; A24F
1/28; A24F 1/32; A24F 7/00; A24F 7/02
See application file for complete search history.

(56) **References Cited**

U.S. PATENT DOCUMENTS

D652,571 S * 1/2012 Shenassa D27/163
D724,779 S * 3/2015 Liu D27/101
D761,487 S * 7/2016 Han D27/162
D802,209 S * 11/2017 Kesselman D27/194
D813,448 S * 3/2018 Servutas D27/167
9,968,127 B2 * 5/2018 Han A24F 1/28
D828,549 S * 9/2018 Gonzalez D24/127
D849,317 S * 5/2019 Qiu D27/162

OTHER PUBLICATIONS

<https://smokea.com/products/7-pipe-twisty-glass-blunt-mini?variant=34222676609> (Sep. 20, 2018).*
<https://weedrepublic.com/collections/novelty-pipes/products/twisty-glass-pipe-by-7pipe> (Jun. 28, 2020).*

* cited by examiner

Primary Examiner — Marissa J Cash
Assistant Examiner — Rebecca Tsehaye
(74) *Attorney, Agent, or Firm* — Dickinson Wright,
PLLC; Michael E. Noe, Jr.

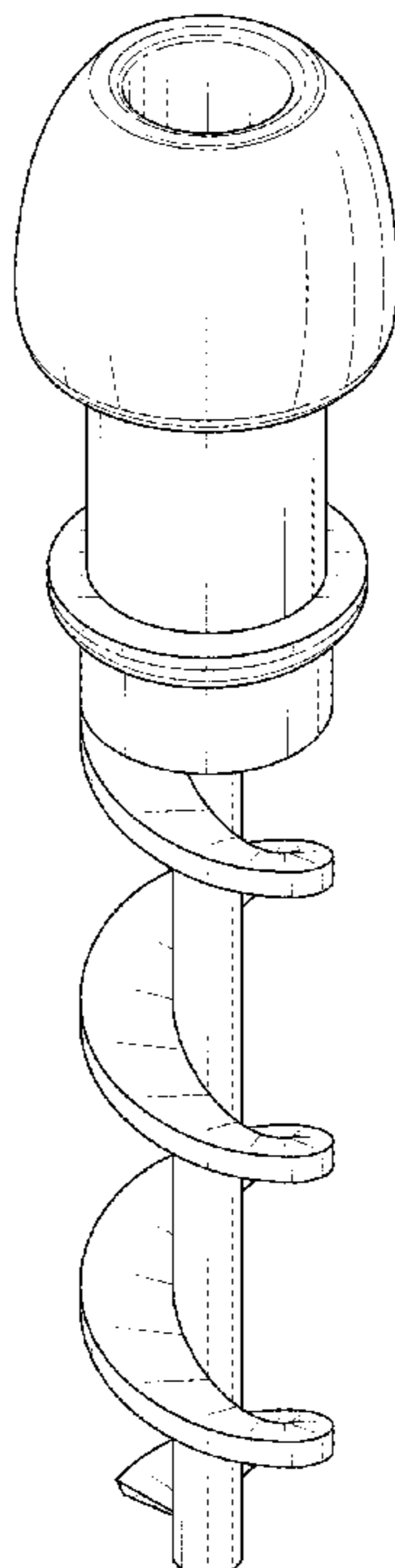
(57) **CLAIM**

The ornamental design for an auger for a glass joint, substantially as shown and described.

DESCRIPTION

FIG. 1 is a perspective view of the auger showing our new design;
FIG. 2 is a right side view thereof;
FIG. 3 is a left side view thereof;
FIG. 4 is a top view thereof;
FIG. 5 is a bottom view thereof;
FIG. 6 is a front view thereof; and,
FIG. 7 is a rear view thereof.
The broken lines in the drawings depict portions of the auger for glass joint that form no part of the claimed design.

1 Claim, 3 Drawing Sheets



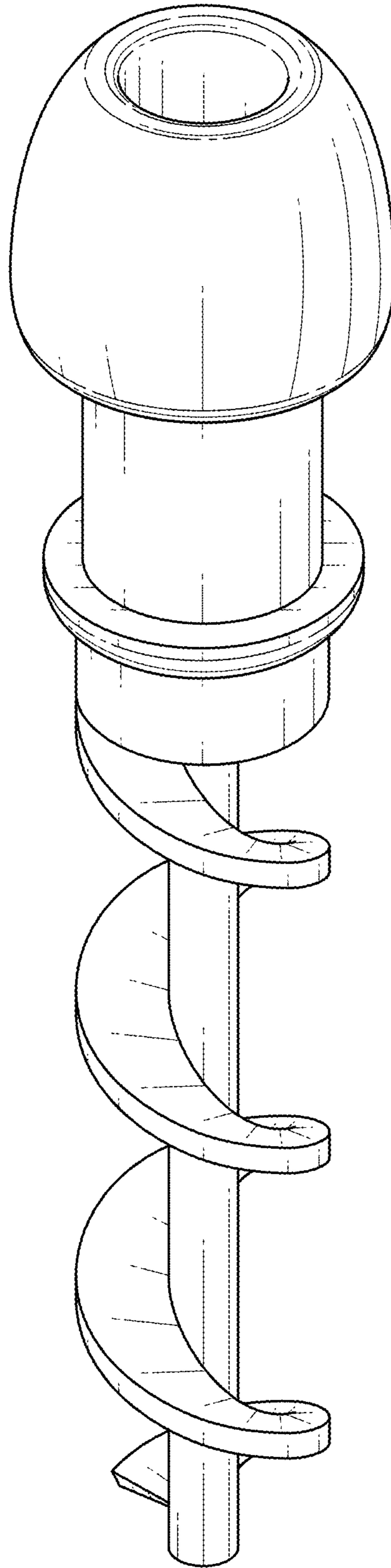


FIG. 1

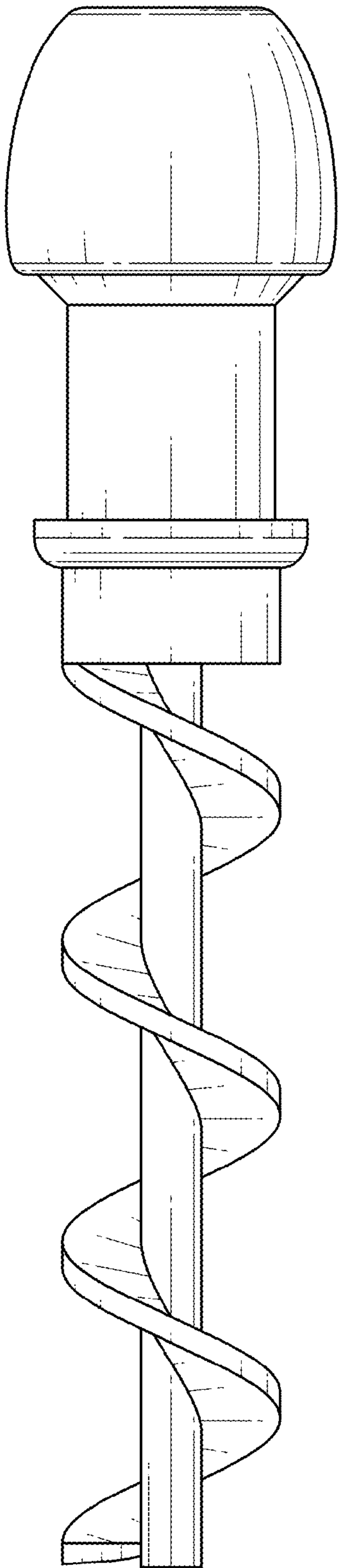


FIG. 2

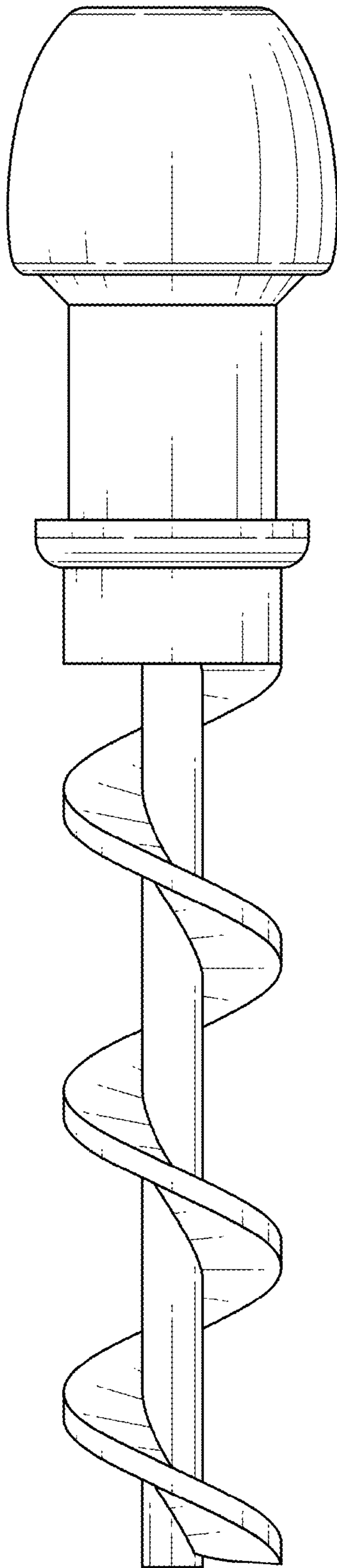


FIG. 3

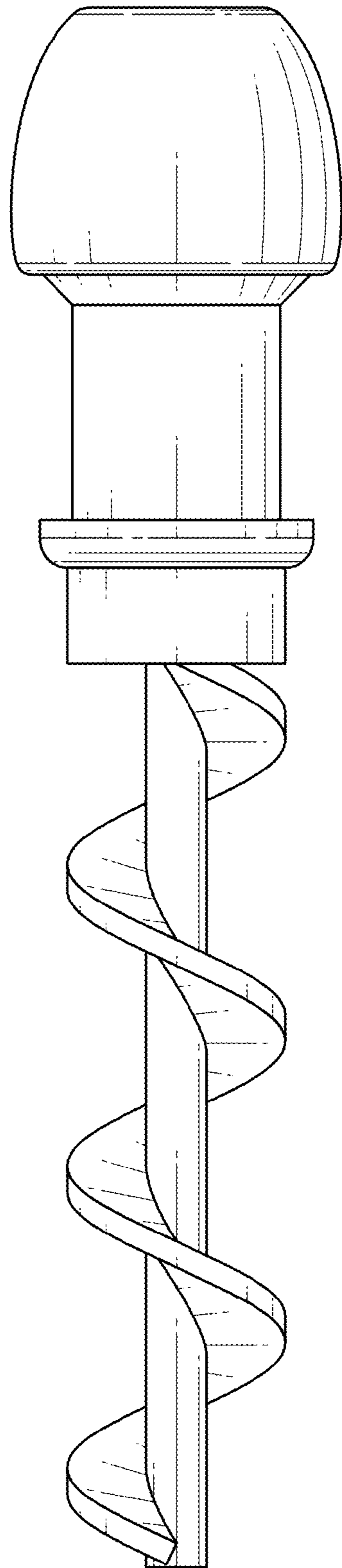


FIG. 4

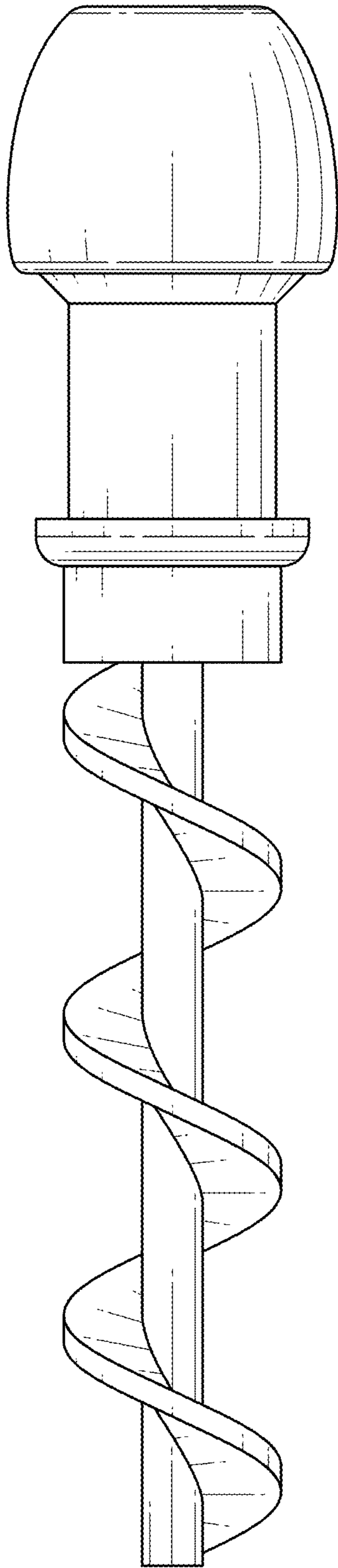


FIG. 5

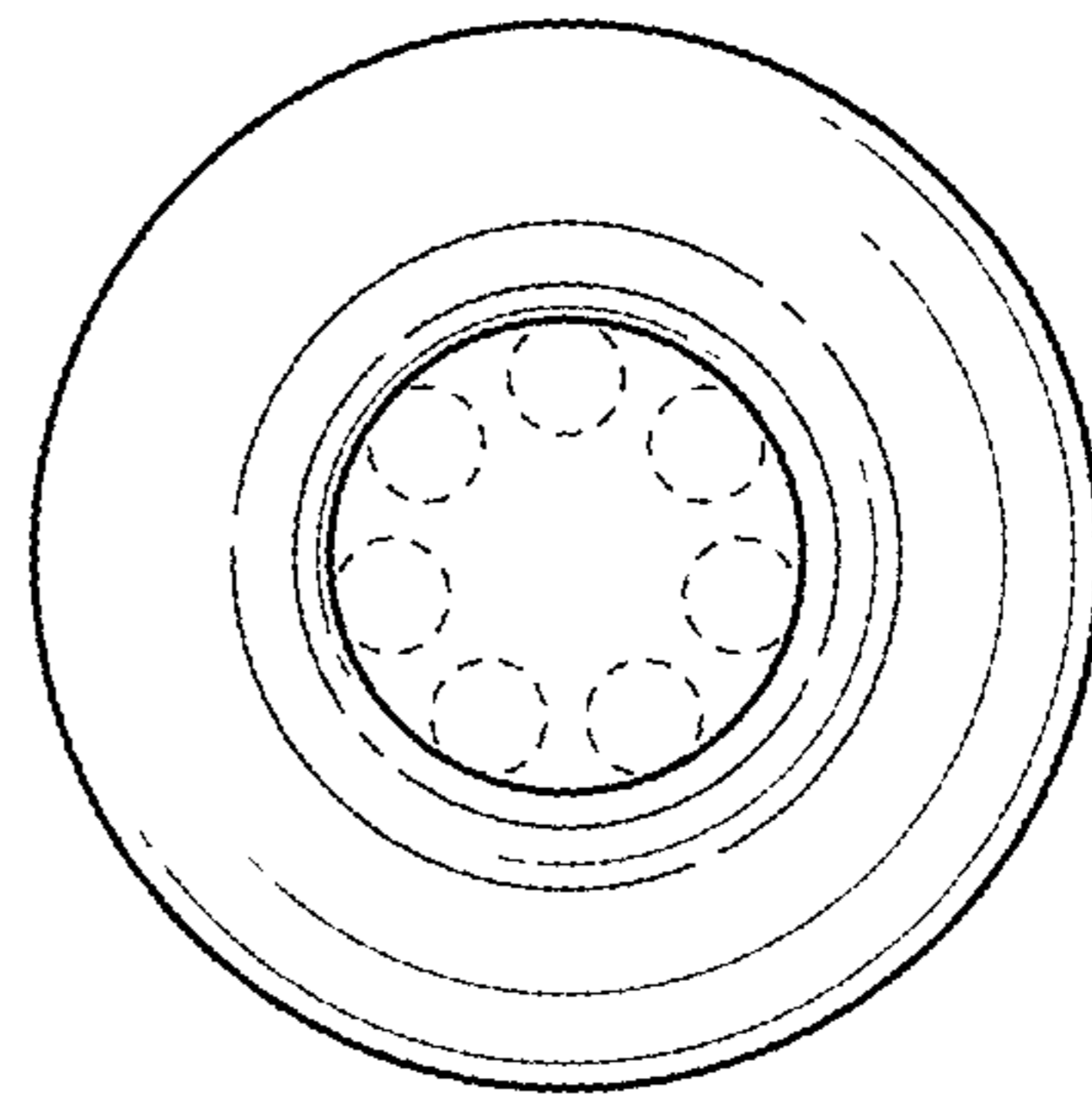


FIG. 6

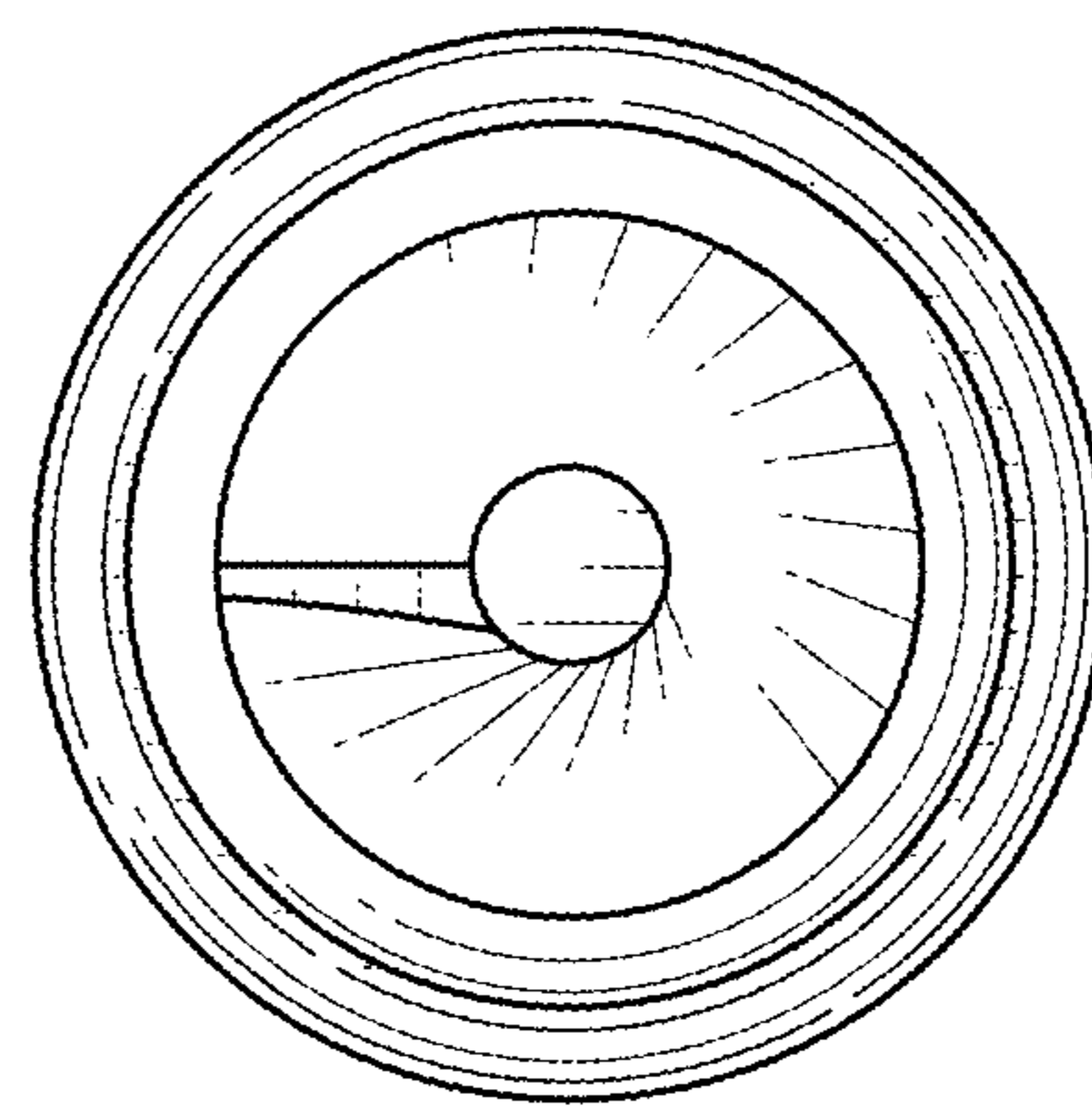


FIG. 7