



US00D894475S

(12) **United States Design Patent** (10) **Patent No.:** **US D894,475 S**  
**Keevy et al.** (45) **Date of Patent:** **\*\* Aug. 25, 2020**

(54) **JOBSITE FLOODLIGHT STAND**  
(71) Applicant: **Hilti Aktiengesellschaft, Schaan (LI)**  
(72) Inventors: **Graham Keevy, Aalen (DE); Tobias Königler, Bregenz (AT)**

D385,640 S \* 10/1997 Leen ..... D26/63  
D388,209 S \* 12/1997 Grossman ..... D26/63  
D426,670 S \* 6/2000 Leen ..... D26/138  
D428,186 S \* 7/2000 Leen ..... D26/138  
D428,518 S \* 7/2000 Leen ..... D26/138  
D428,519 S \* 7/2000 Leen ..... D26/138  
D440,347 S \* 4/2001 Leen ..... D26/138

(73) Assignee: **Hilti Aktiengesellschaft, Schaan (LI)**  
(\*\*) Term: **15 Years**

(Continued)  
*Primary Examiner* — Natasha Vujcic  
(74) *Attorney, Agent, or Firm* — Crowell & Moring LLP

(21) Appl. No.: **35/507,297**

(22) Filed: **Dec. 10, 2018**

(57) **CLAIM**

The ornamental design for a jobsite floodlight stand, as shown and described.

(80) **Hague Agreement Data**

Int. Filing Date: **Dec. 10, 2018**  
Int. Reg. No.: **DM/202316**  
Int. Reg. Date: **Dec. 10, 2018**  
Int. Reg. Pub. Date: **Aug. 23, 2019**

**DESCRIPTION**

The patent or application file contains at least one drawing executed in color. Copies of this patent or patent application publication with color drawing(s) will be provided by the Office upon request and payment of the necessary fee.

(30) **Foreign Application Priority Data**

Jul. 6, 2018 (LI) ..... 2018-612

(51) **LOC (12) Cl.** ..... **26-05**

(52) **U.S. Cl.**  
USPC ..... **D26/138**

(58) **Field of Classification Search**  
USPC ..... D26/63, 72, 74, 76, 78-83, 85, 86, 88, D26/90, 93, 111, 113, 118, 119, 120, 121, D26/122, 138, 139, 140, 141, 142, 152  
CPC ..... F21S 2/00; F21S 4/00; F21S 4/003; F21S 4/005; F21S 4/006; F21S 4/007; F21S 4/008; F21S 6/00; F21S 8/00; F21S 8/024; F21S 8/026; F21S 8/031; F21S 8/033; F21S 8/035-037; F21S 8/04; F21S 8/043; F21S 8/063

See application file for complete search history.

1.-2. Jobsite floodlight stand

- 1.1 : Perspective
- 1.2 : Front
- 1.3 : Back
- 1.4 : Right
- 1.5 : Left
- 1.6 : Top
- 1.7 : Bottom
- 2.1 : Perspective
- 2.2 : Front
- 2.3 : Back
- 2.4 : Left
- 2.5 : Right
- 2.6 : Top
- 2.7 : Bottom

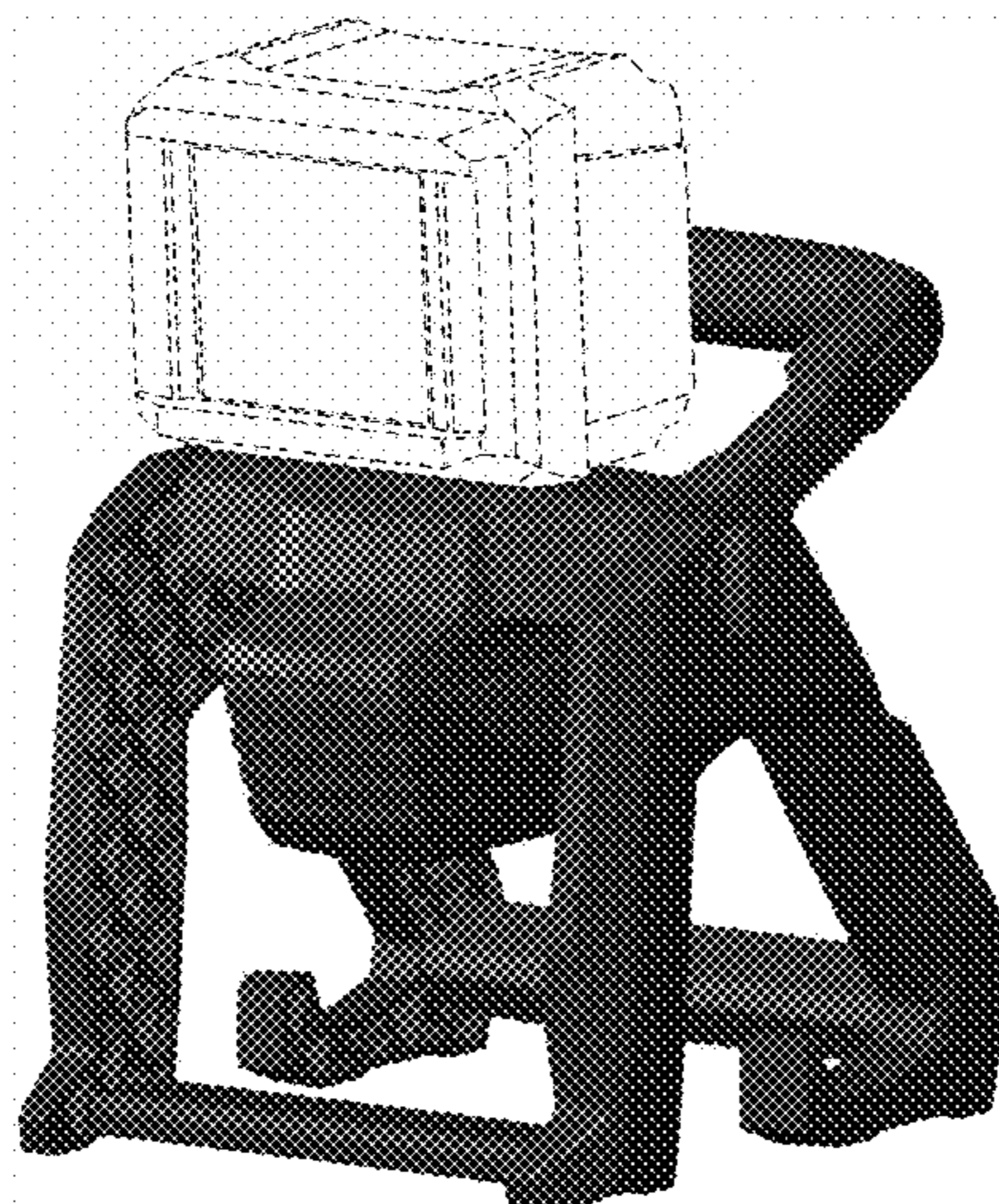
The broken lines in the drawings illustrate portions of the environment of the jobsite floodlight stand which forms no part of the claimed design.

(56) **References Cited**

**U.S. PATENT DOCUMENTS**

D345,026 S \* 3/1994 Pottebaum ..... D26/140  
D359,371 S \* 6/1995 Osteen ..... D26/50

**1 Claim, 14 Drawing Sheets**  
**(7 of 14 Drawing Sheet(s) Filed in Color)**



(56)

**References Cited**

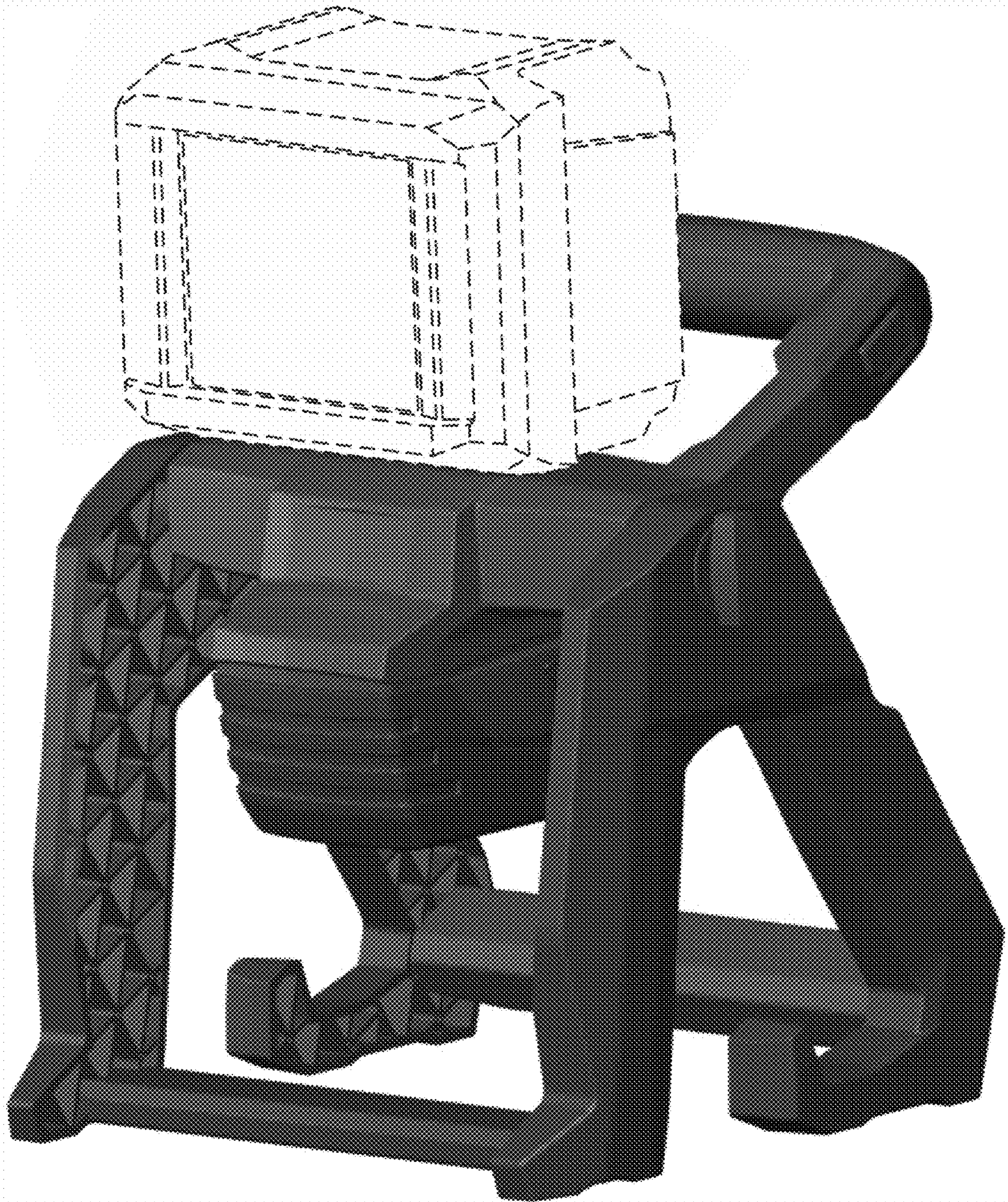
U.S. PATENT DOCUMENTS

D441,491 S *	5/2001	Leen .....	D26/138
D549,859 S *	8/2007	Kovacik .....	D26/37
7,387,412 B2 *	6/2008	Tsai .....	F21V 21/06 248/176.1
D679,845 S *	4/2013	Huang .....	D26/63
D684,309 S *	6/2013	Neils .....	D26/138
D827,170 S *	8/2018	Zhang .....	D26/44
D866,028 S *	11/2019	Czarnik .....	D26/37

\* cited by examiner

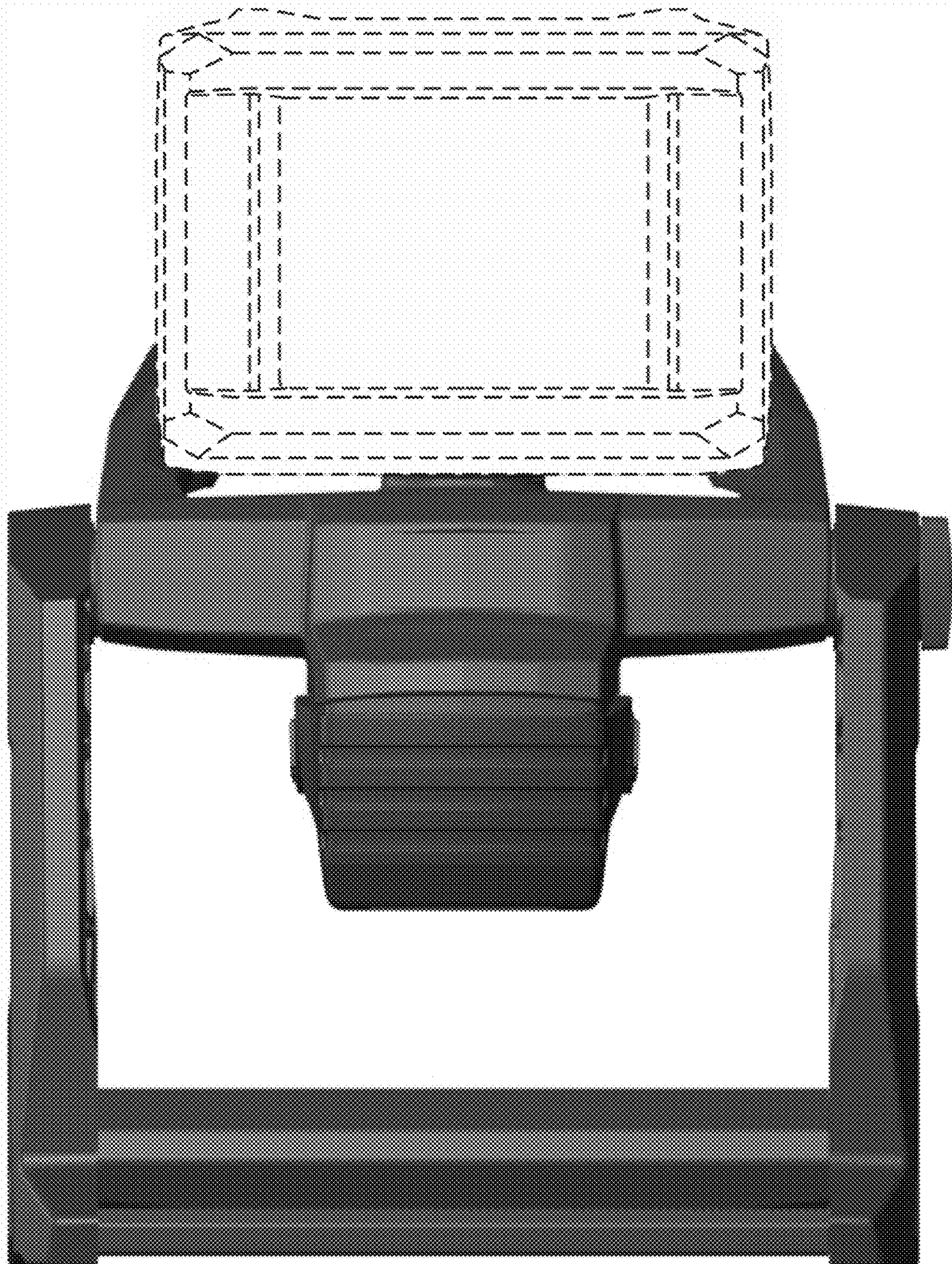


1.1





1.2



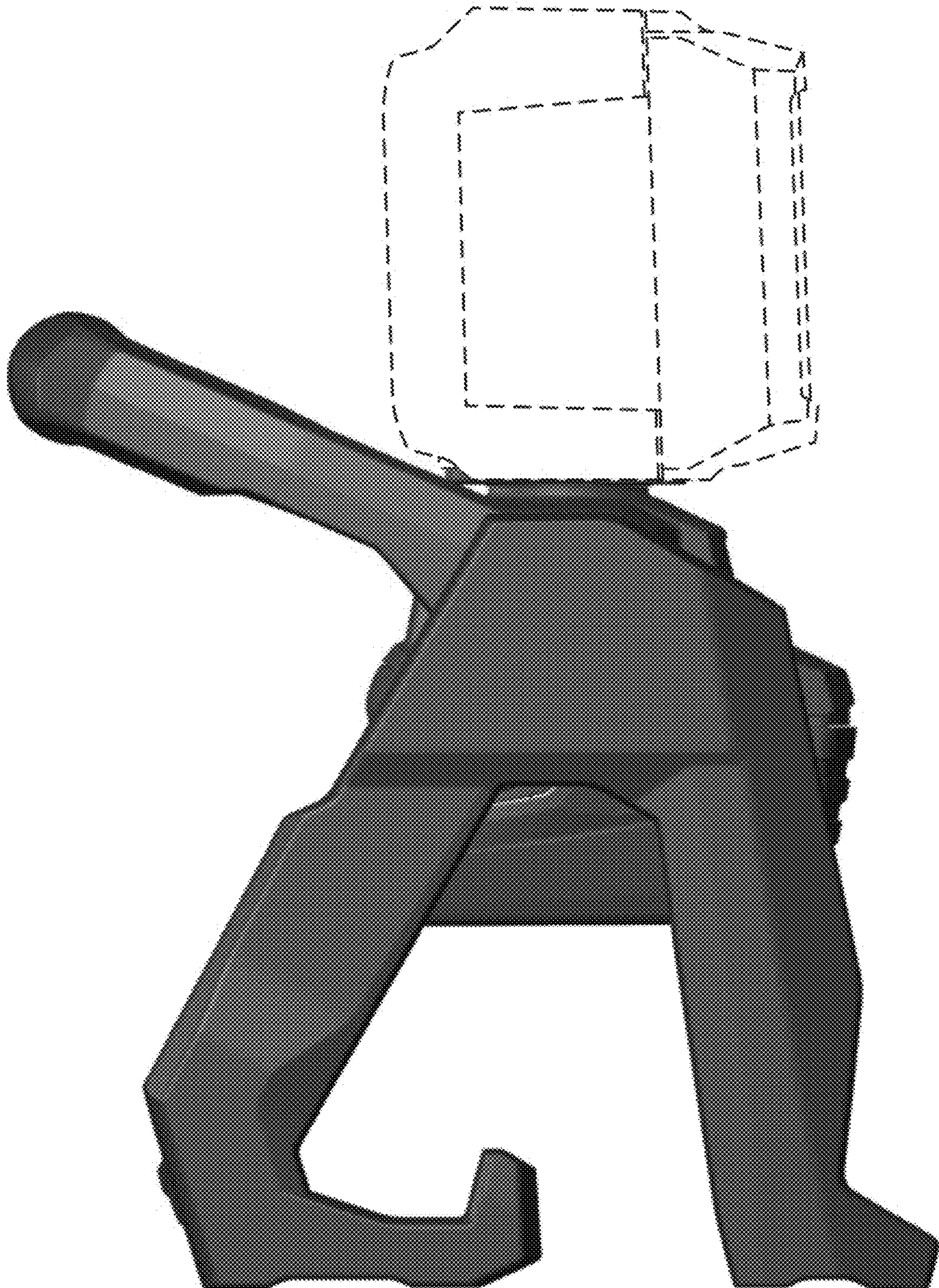


1.3



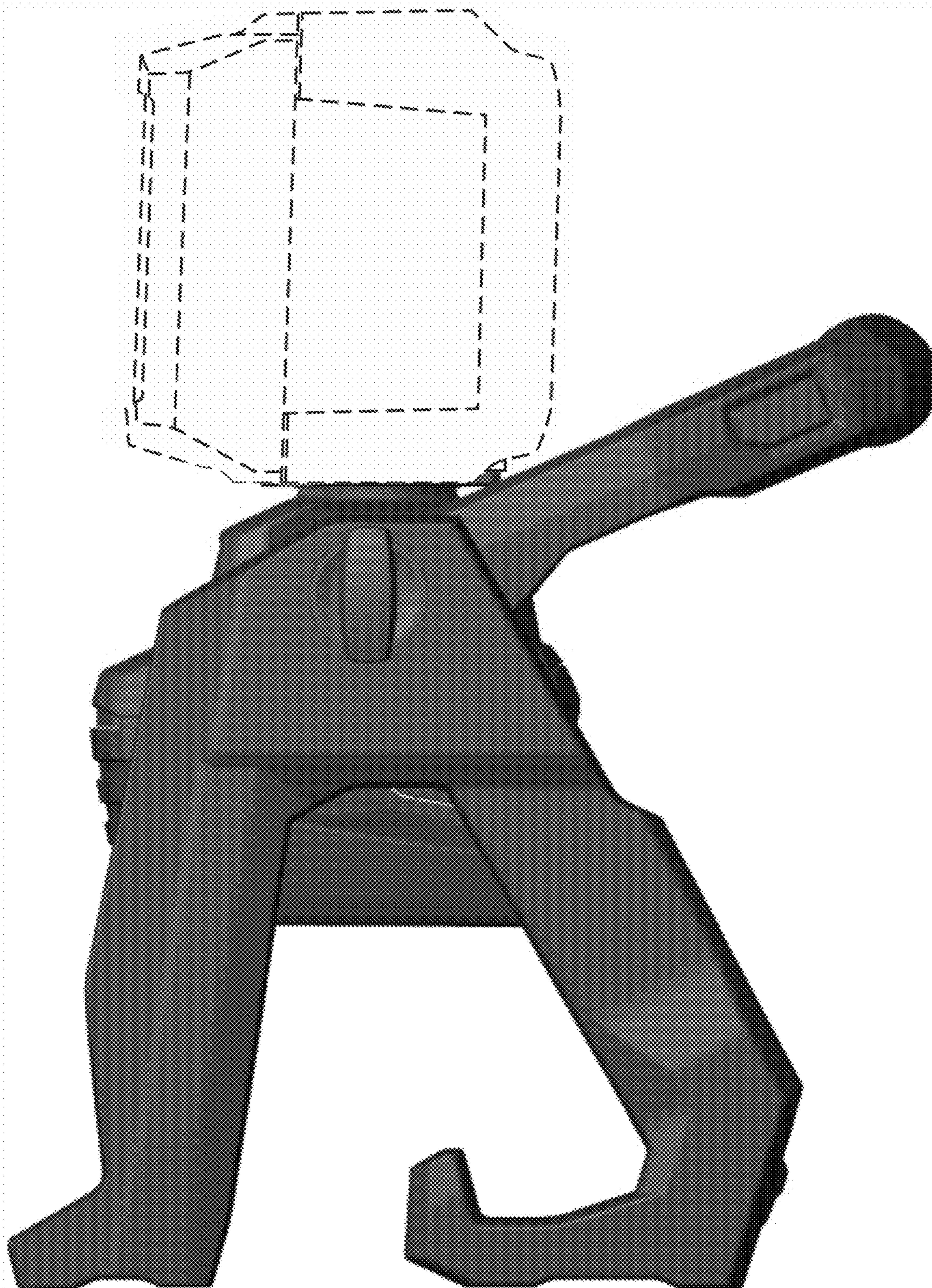


1.4



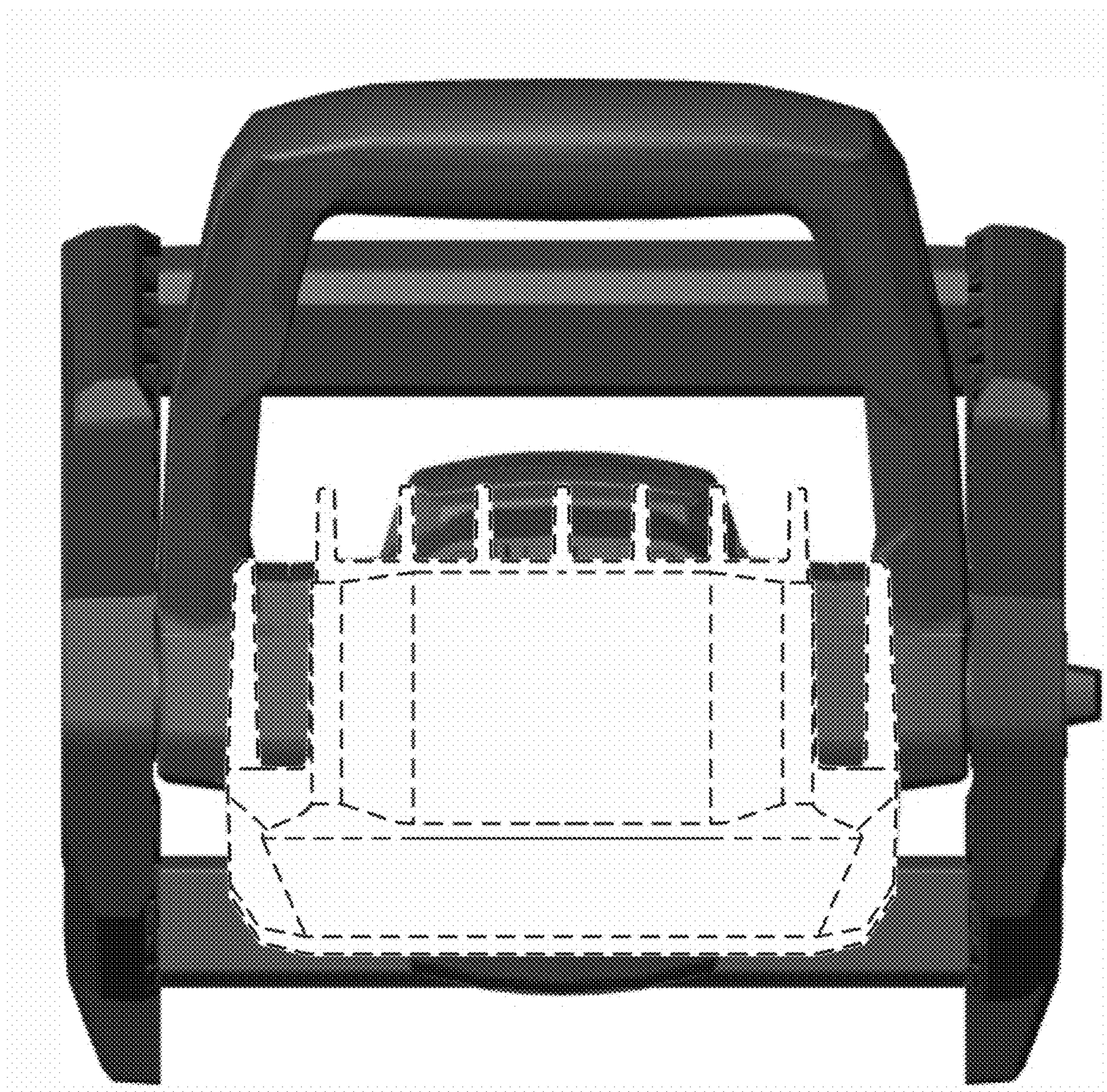


1.5



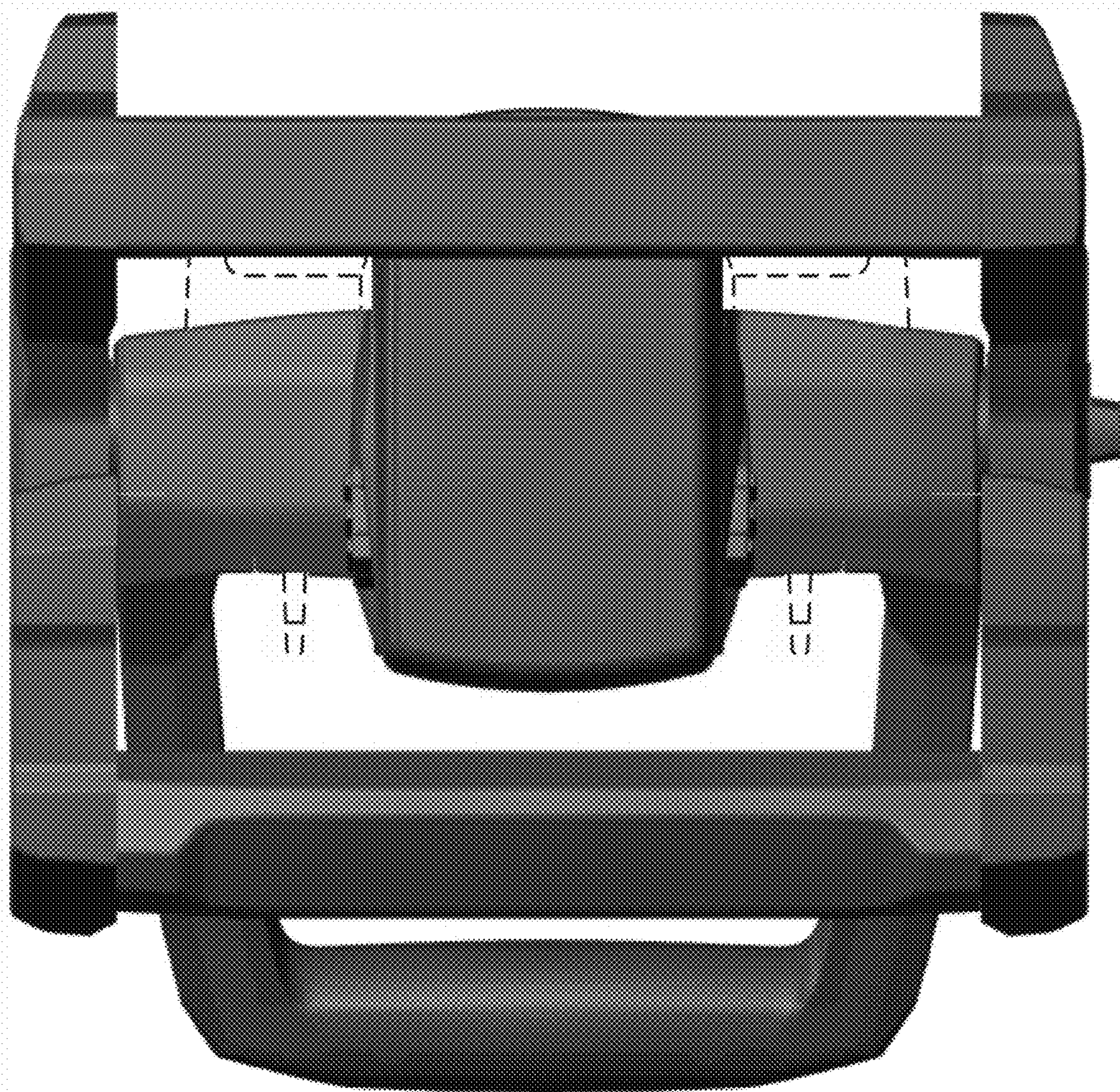


1.6



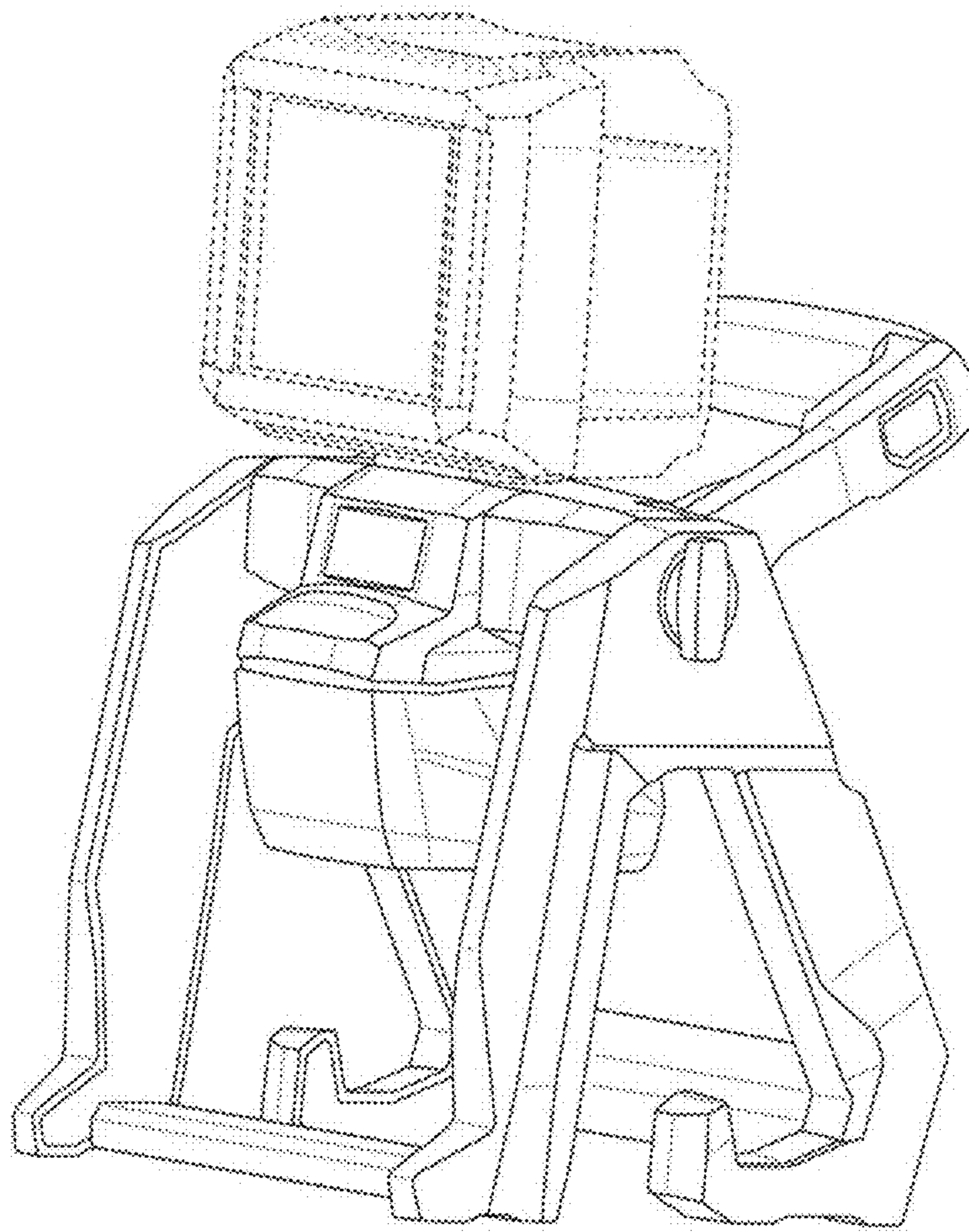


1.7



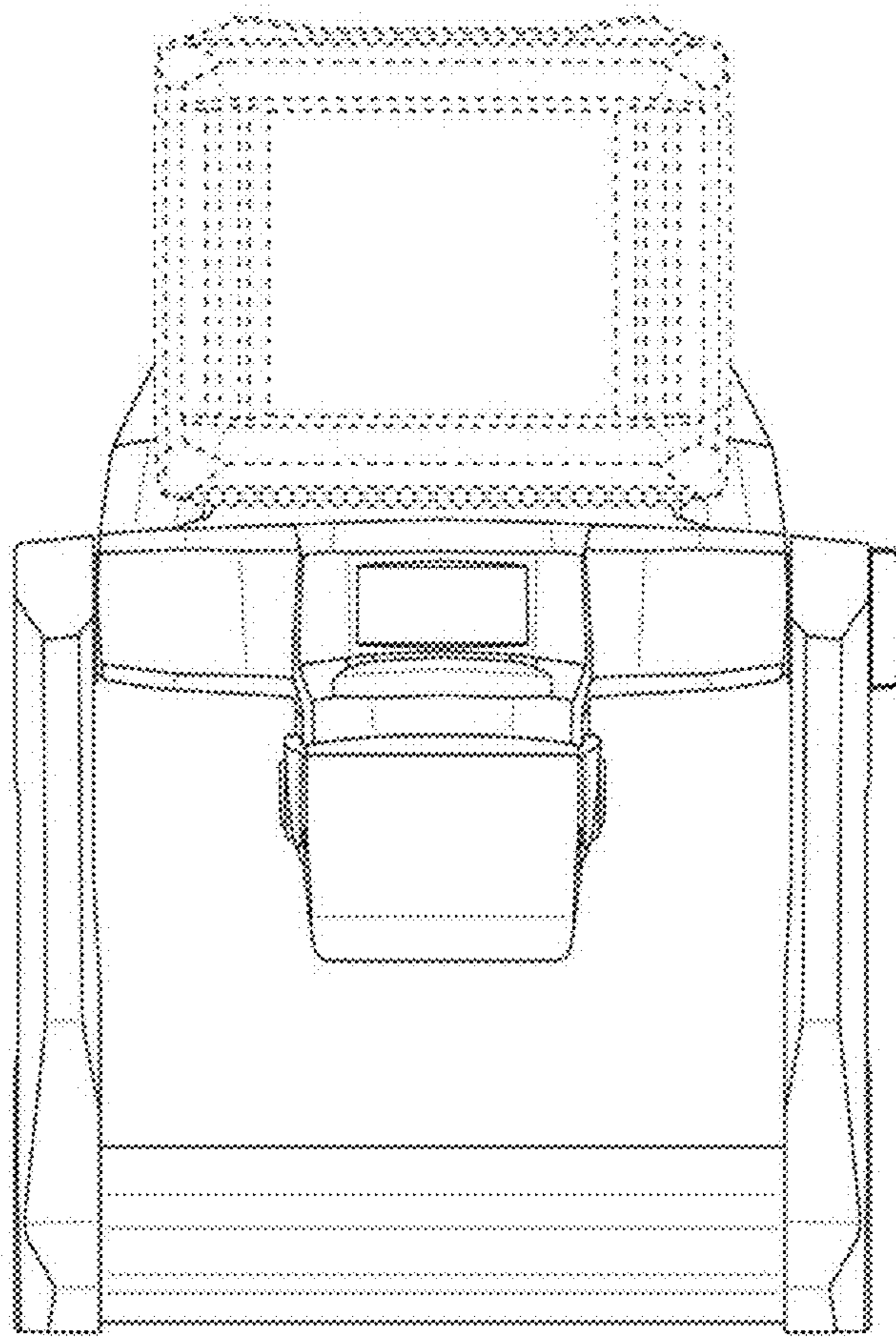


2.1



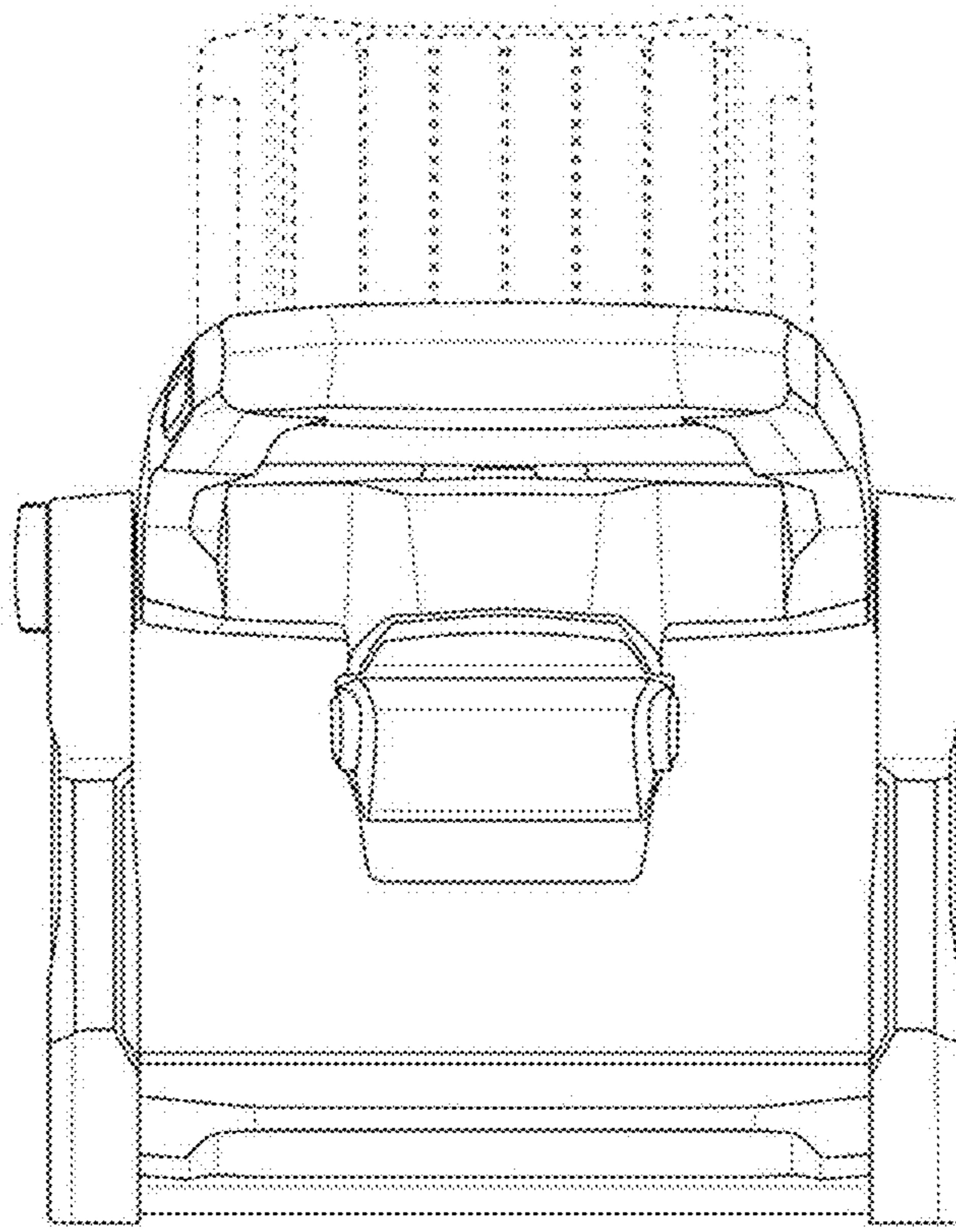


2.2



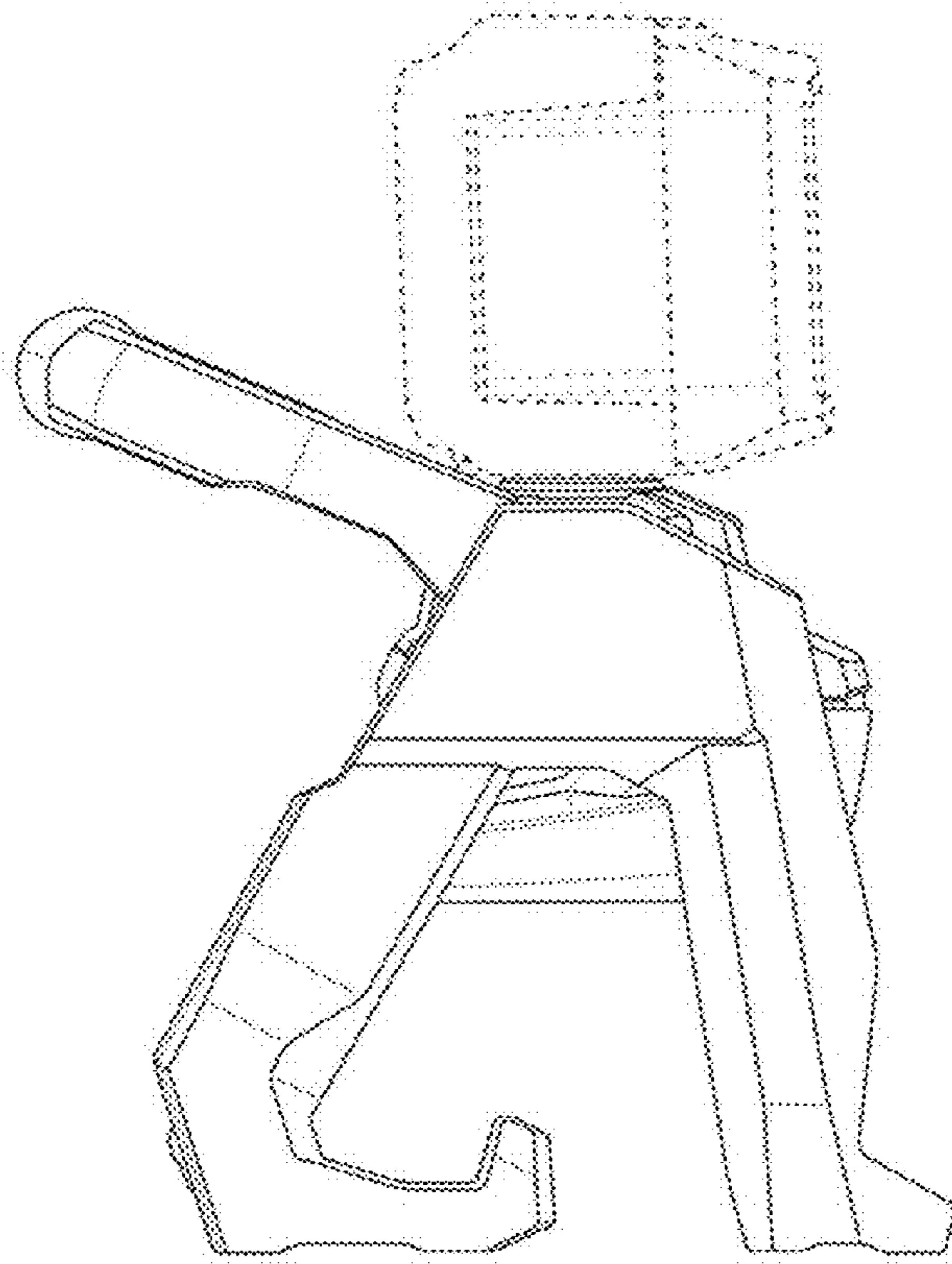


2.3



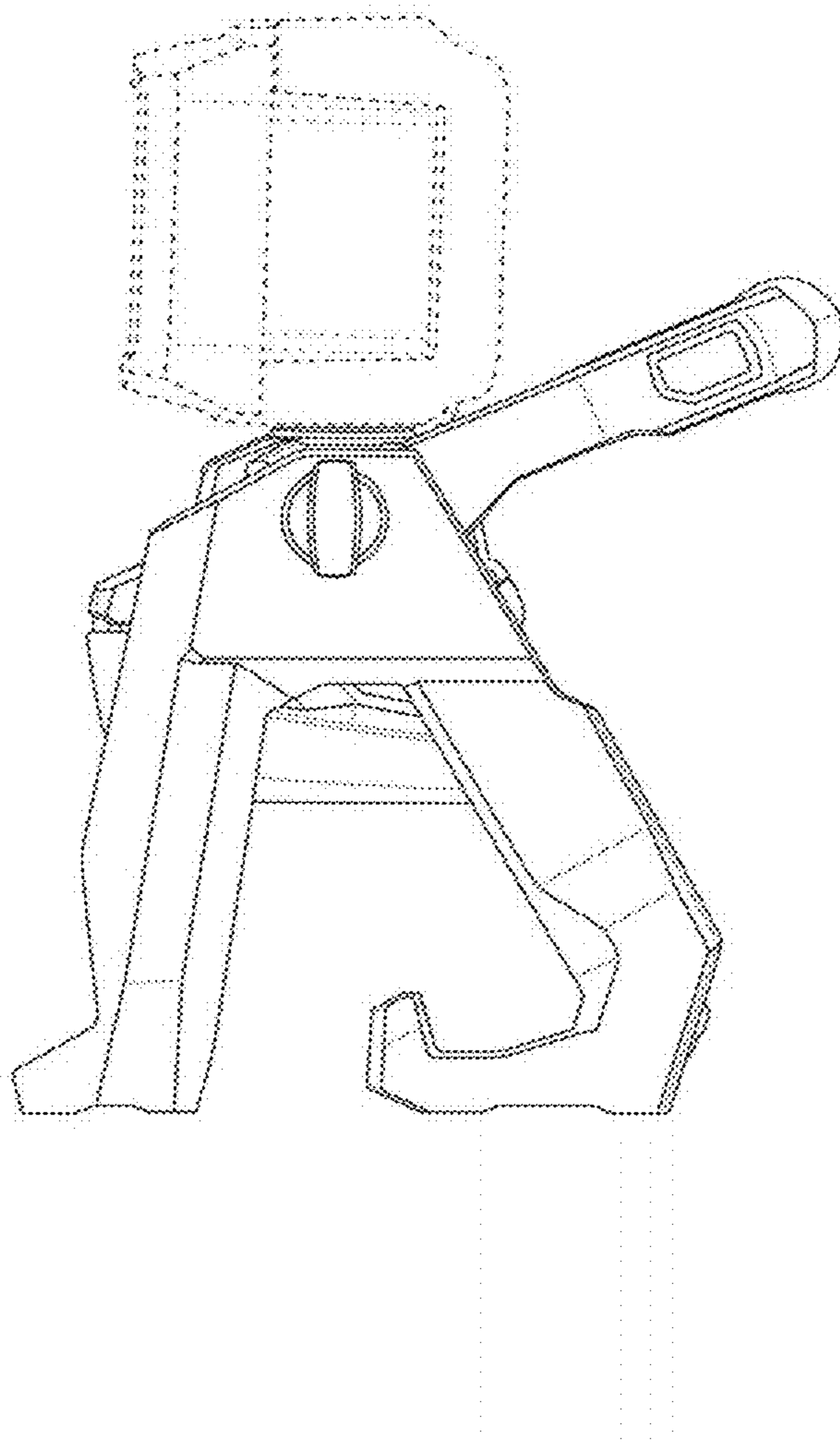


2.4



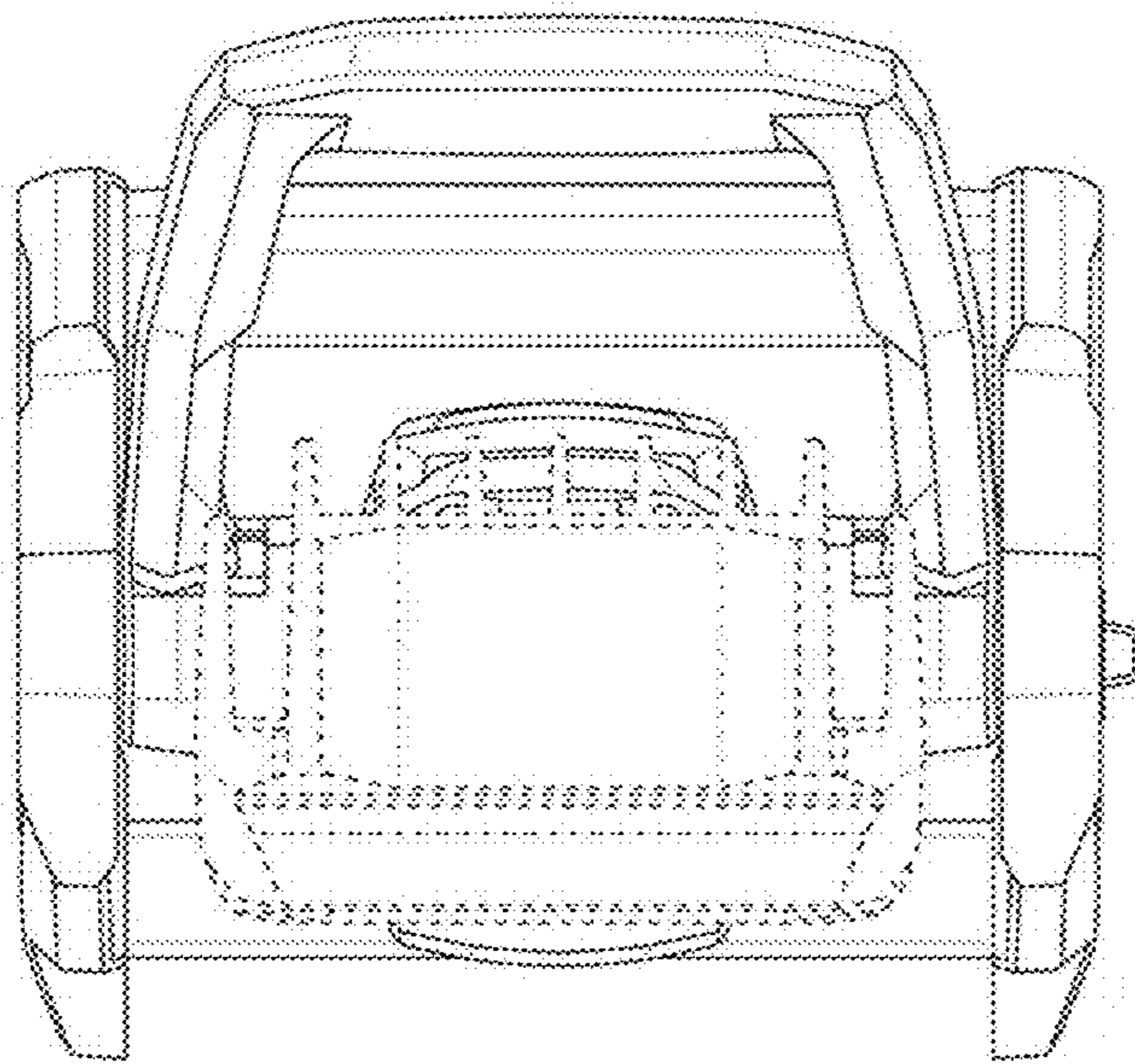


2.5





2.6





2.7

