



US00D894470S

(12) **United States Design Patent**
Reynolds

(10) **Patent No.:** **US D894,470 S**

(45) **Date of Patent:** **** Aug. 25, 2020**

(54) **LIGHT FIXTURE**

(71) Applicant: **HGCI, Inc.**, Las Vegas, NV (US)

(72) Inventor: **Christopher Reynolds**, Vancouver, WA (US)

(73) Assignee: **HGCI, Inc.**, Las Vegas, NV (US)

(**) Term: **15 Years**

(21) Appl. No.: **29/690,908**

(22) Filed: **May 13, 2019**

Related U.S. Application Data

(63) Continuation of application No. 29/625,098, filed on Nov. 7, 2017, now Pat. No. Des. 848,664.

(51) **LOC (12) Cl.** **26-99**

(52) **U.S. Cl.**
USPC **D26/118**

(58) **Field of Classification Search**
USPC ... D26/9, 10, 12, 13, 15, 16, 24, 51, 61, 72,
D26/76, 80, 81, 85, 86, 88, 90, 113, 118,
D26/119, 120, 122, 128, 129, 138, 143,
D26/144

CPC B60Q 1/04; B60Q 1/26; F21S 8/026; F21S
8/04; F21V 29/004; F21V 21/02; F21V
21/04; F21V 29/2212; F21V 7/22; F21V
29/83; F21V 37/002; F21V 7/00; F21L
19/00; F23D 11/443; F21Y 2101/02;
A61L 9/037
See application file for complete search history.

(56) **References Cited**

U.S. PATENT DOCUMENTS

D745,993 S * 12/2015 Reynolds D26/118
D786,491 S * 5/2017 Reynolds D26/118

D796,727 S * 9/2017 Reynolds D26/118
D802,829 S * 11/2017 Reynolds D26/118
D814,687 S * 4/2018 Stanley D26/118
D825,096 S * 8/2018 Reynolds D26/118
D825,828 S * 8/2018 Reynolds D26/118
D826,468 S * 8/2018 Stanley D26/118
D826,469 S * 8/2018 Reynolds D26/118
D848,664 S * 5/2019 Reynolds D26/118

* cited by examiner

Primary Examiner — Brian N. Vinson

(74) *Attorney, Agent, or Firm* — Ulmer & Berne LLP

(57) **CLAIM**

The ornamental design for a light fixture, as shown and described.

DESCRIPTION

FIG. 1 is a perspective view of a light fixture, as viewed from below, showing my new design;

FIG. 2 is a perspective view of the light fixture shown in FIG. 1, as viewed from above;

FIG. 3 is a left side elevation view of the light fixture shown in FIG. 1;

FIG. 4 is a right side elevation view of the light fixture shown in FIG. 1;

FIG. 5 is a front elevation view of the light fixture shown in FIG. 1;

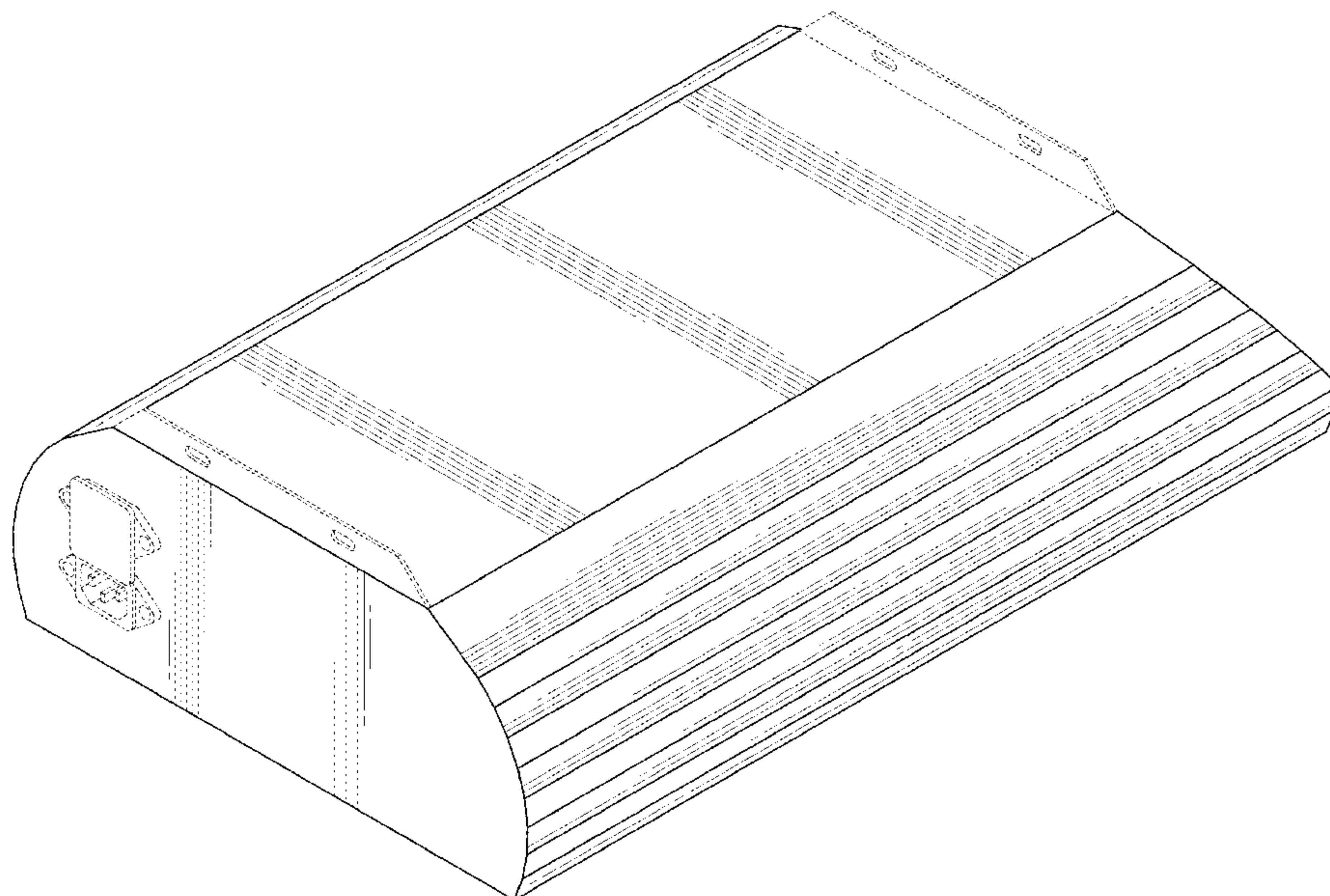
FIG. 6 is a rear elevation view of the light fixture shown in FIG. 1;

FIG. 7 is a top plan view of the light fixture shown in FIG. 1; and,

FIG. 8 is a bottom plan view of the light fixture shown in FIG. 1.

The broken-line disclosure shown in the views is understood to represent portions of the article in which the claimed design is embodied, but which form no part of the claimed design.

1 Claim, 6 Drawing Sheets



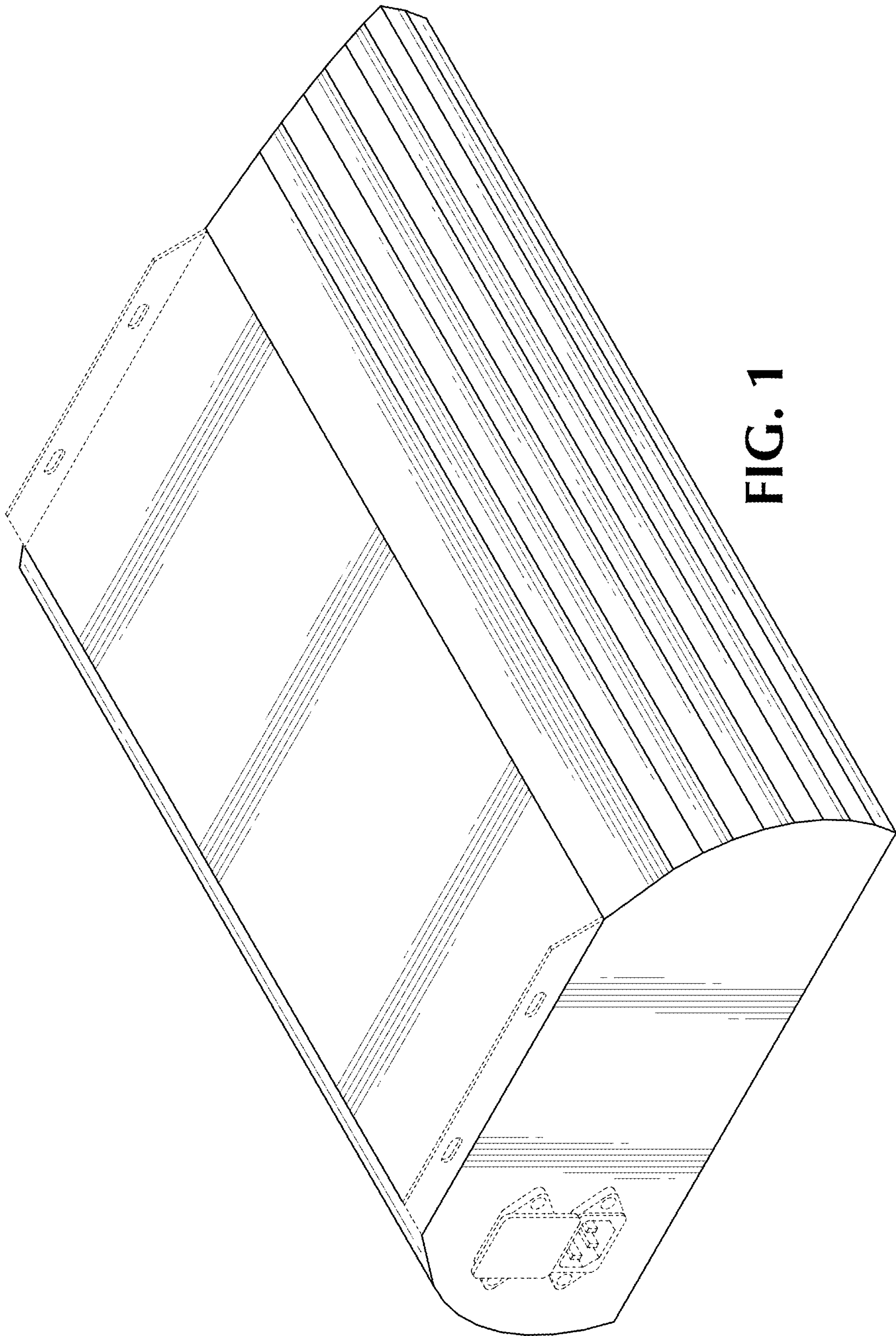


FIG. 1

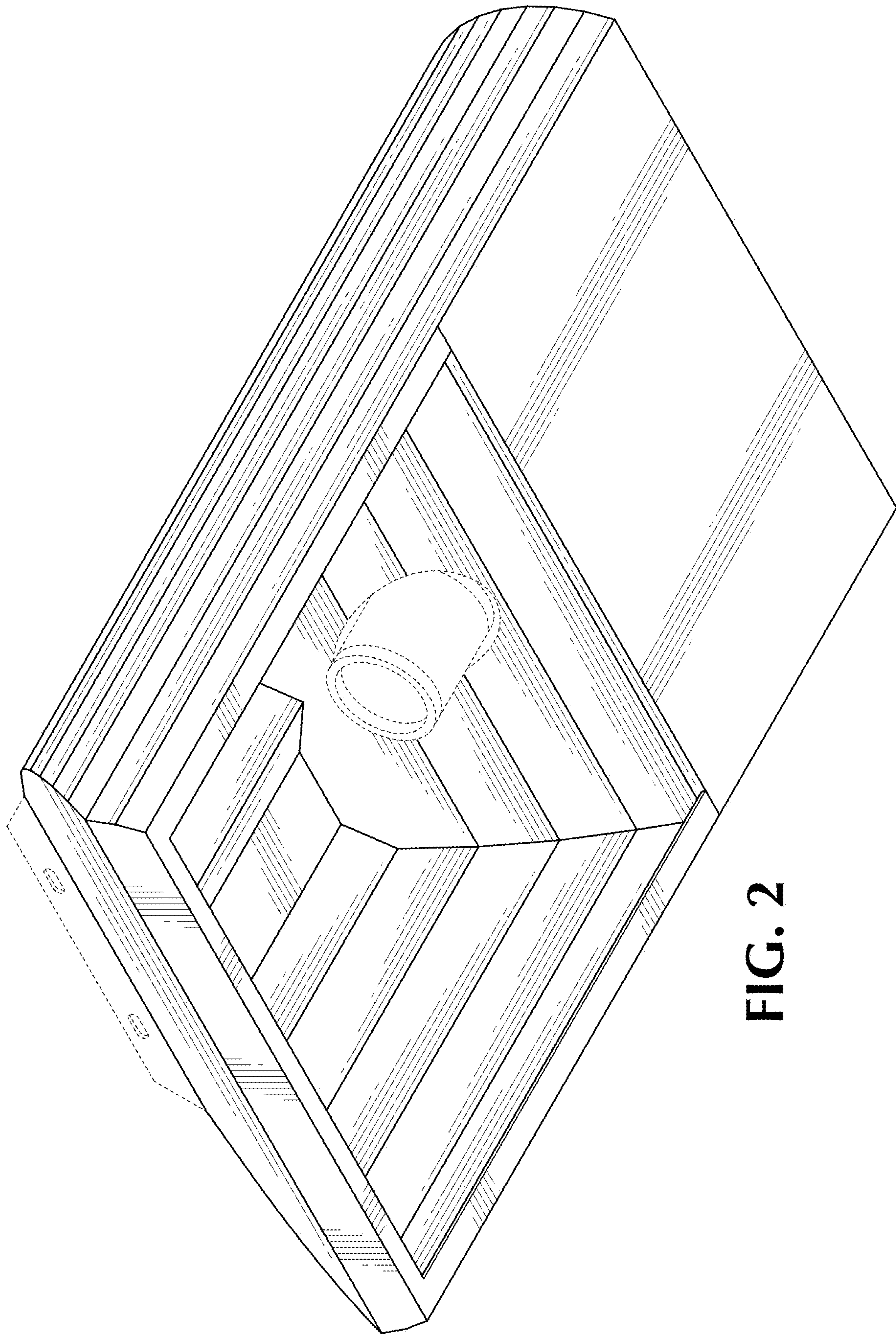


FIG. 2

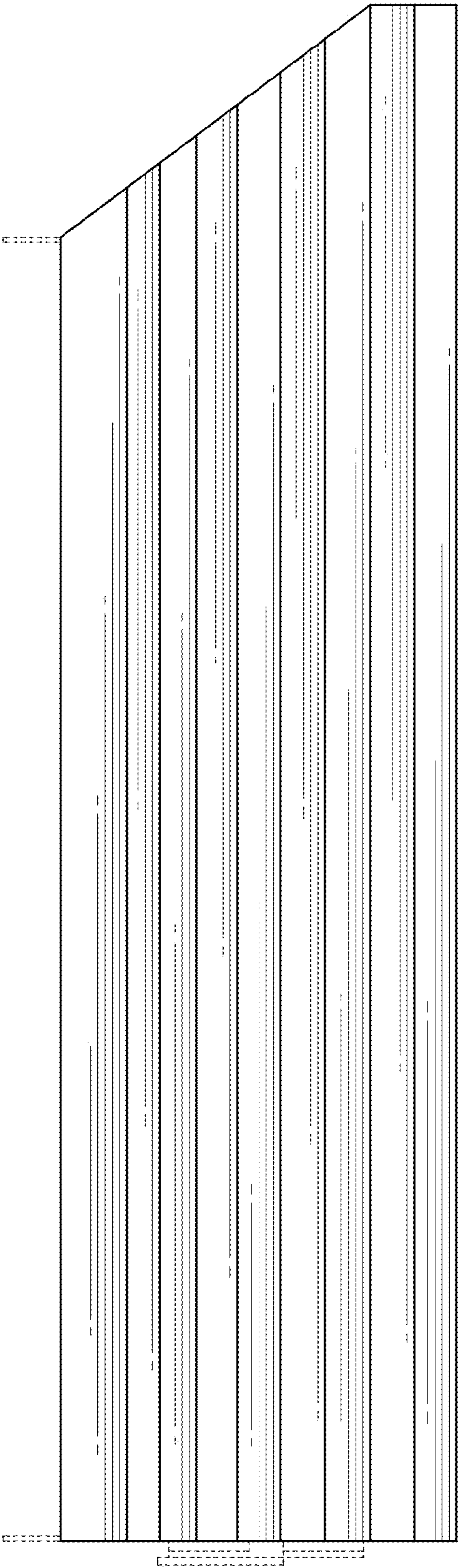


FIG. 3

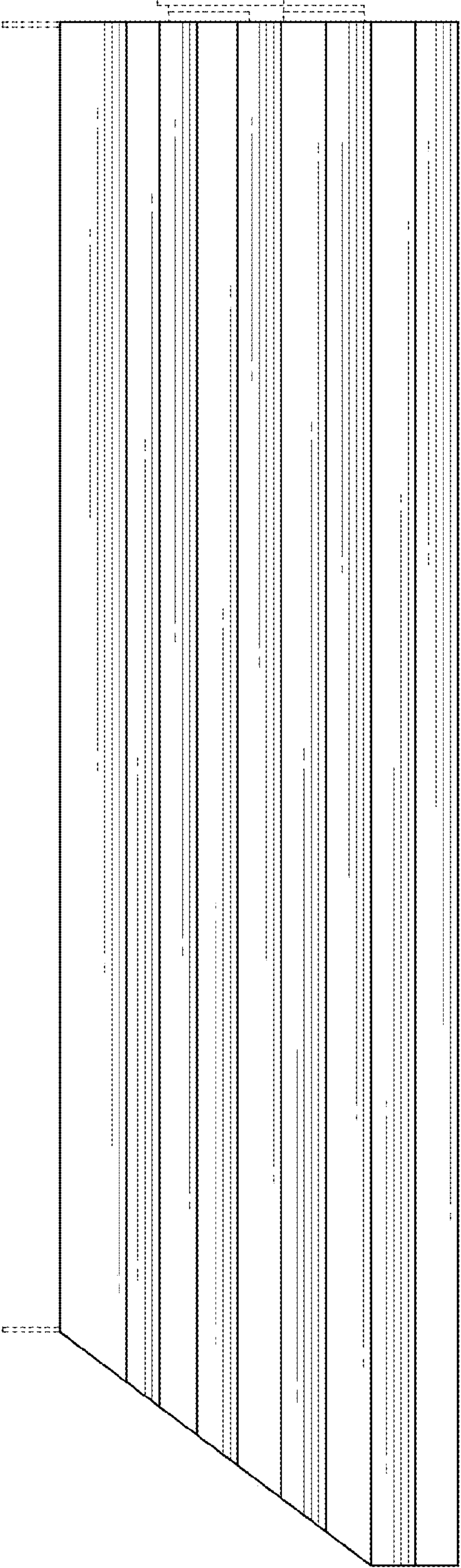


FIG. 4

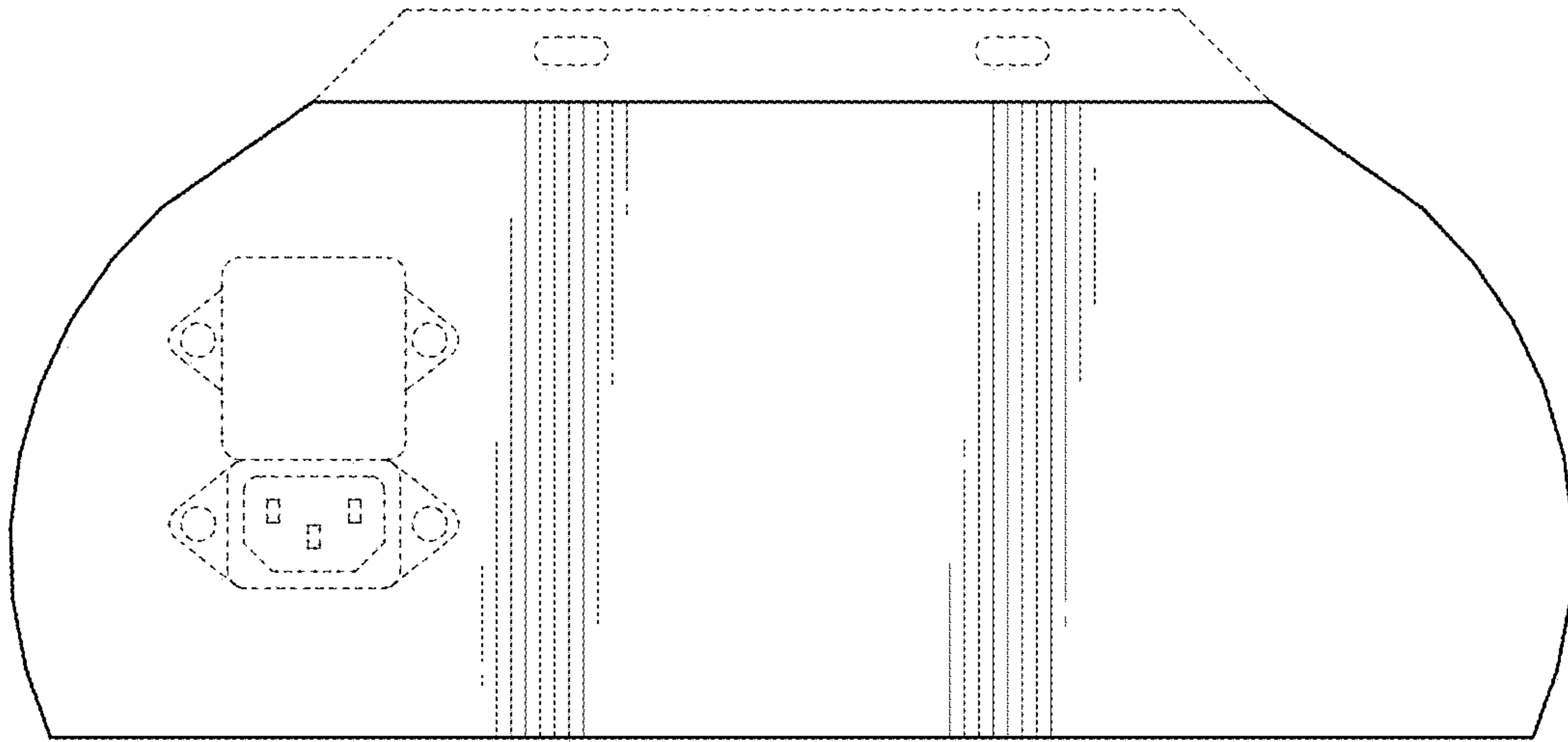


FIG. 5

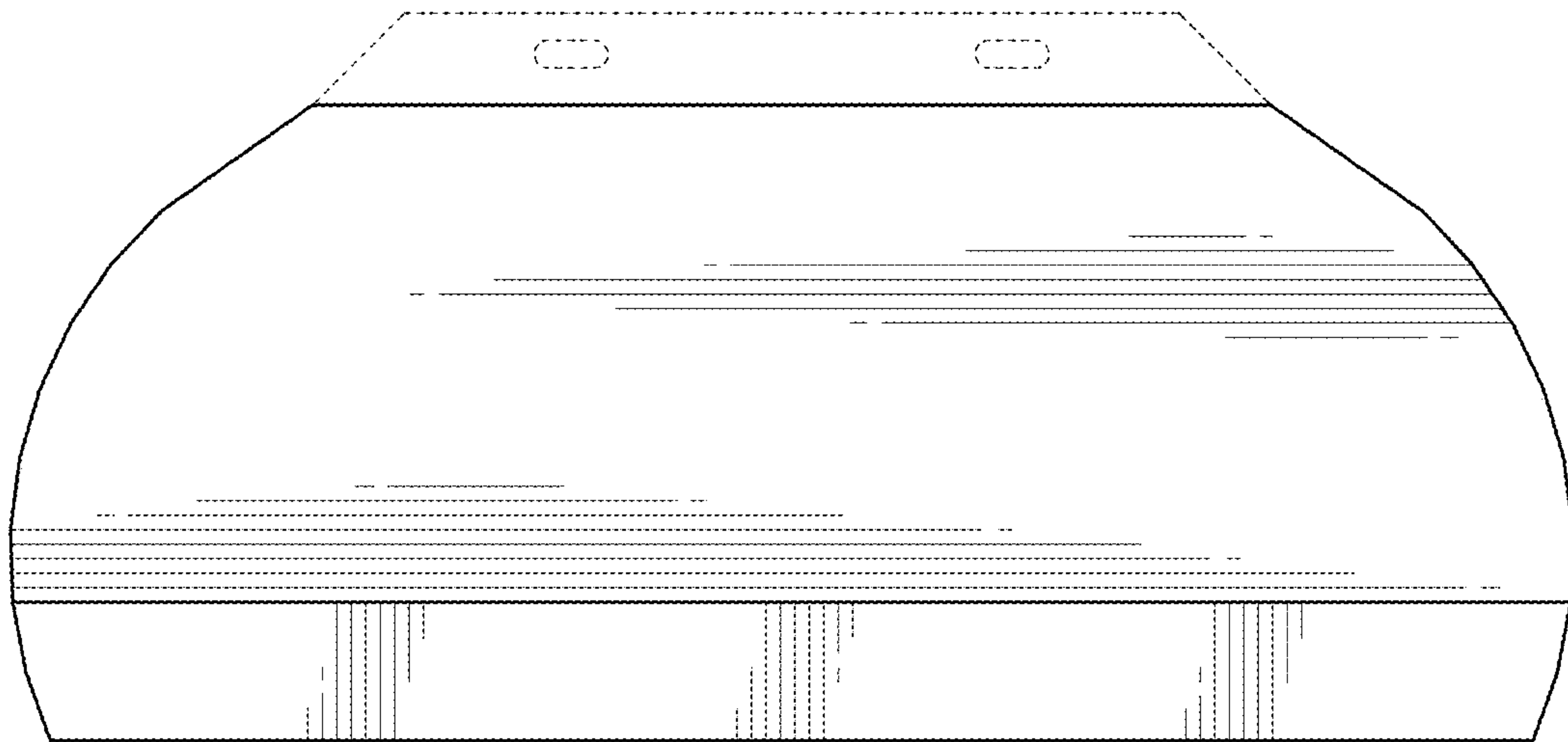


FIG. 6

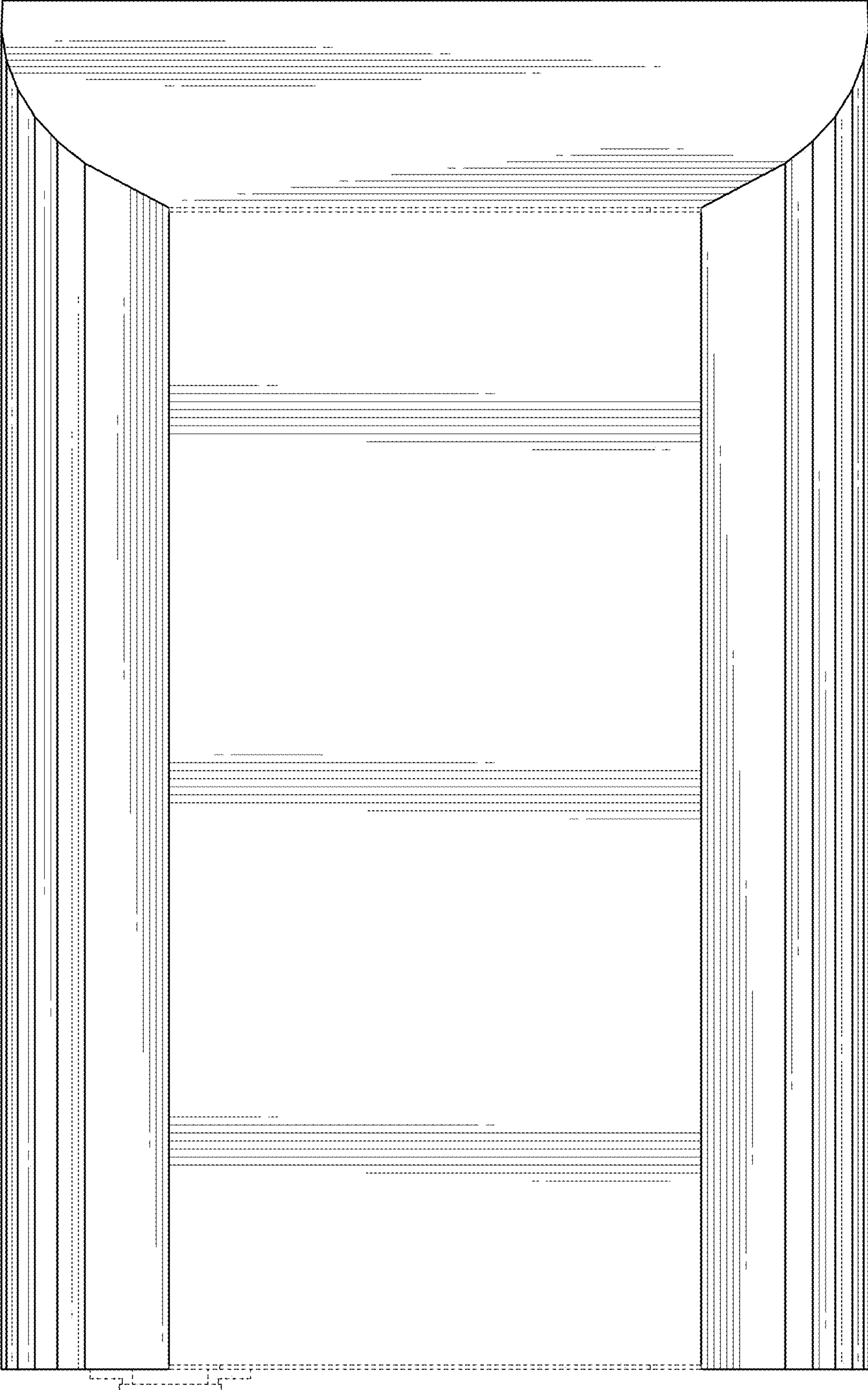


FIG. 7

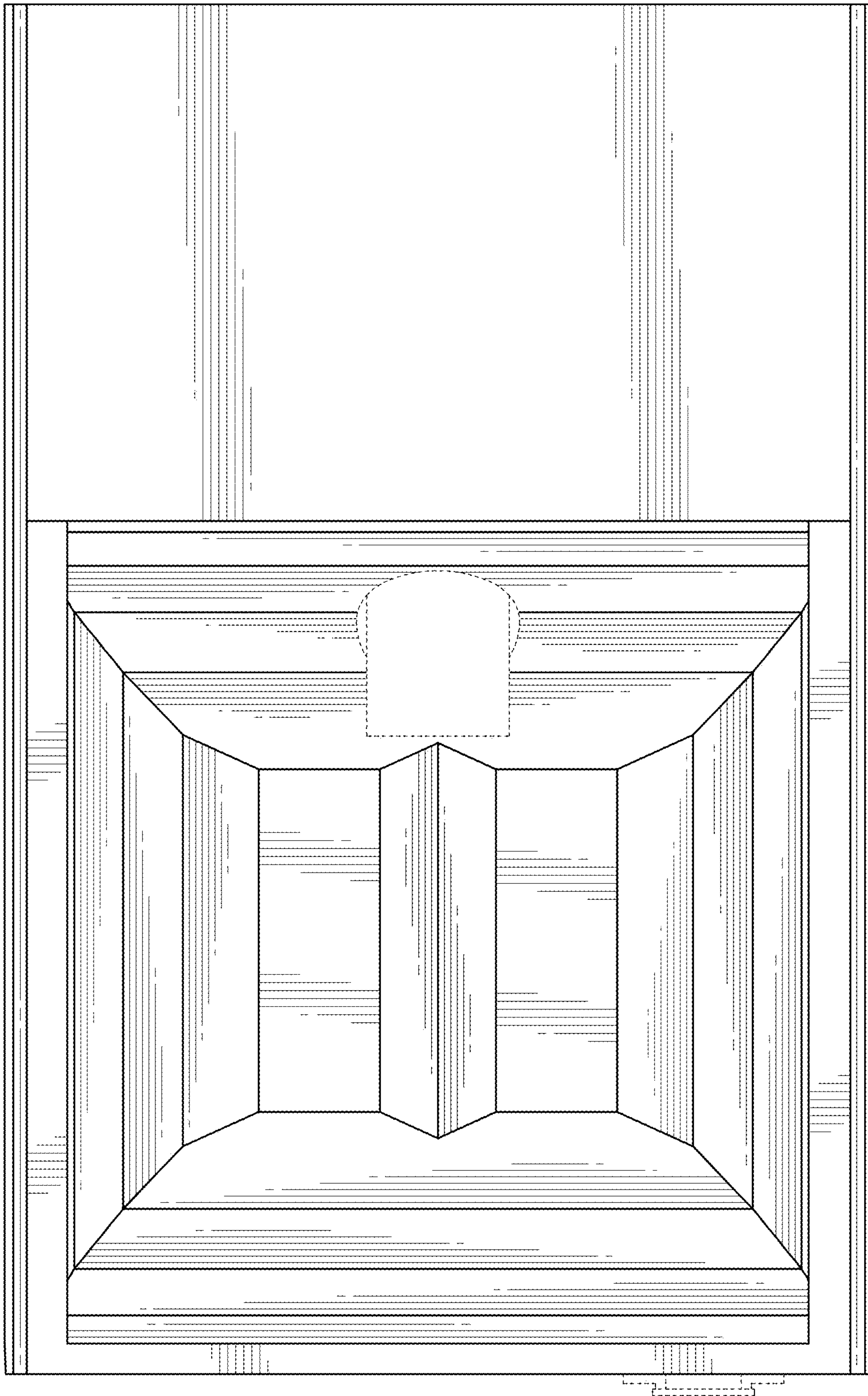


FIG. 8