

US00D894469S

(12) **United States Design Patent**
Li et al.

(10) **Patent No.:** **US D894,469 S**

(45) **Date of Patent:** **** Aug. 25, 2020**

(54) **LIGHT FIXTURE**

(71) Applicant: **Hubbell Incorporated**, Shelton, CT
(US)

(72) Inventors: **Qianshan Li**, Glendora, CA (US);
Kevin Lu, Fountain Valley, CA (US);
Syed Raza, Rancho Palos Verdes, CA
(US); **Dean Dal Ponte**, Glendale, CA
(US); **Armin Ahrari**, Chino, CA (US);
Jeff McClow, Greenville, SC (US)

(73) Assignee: **Hubbell Incorporated**, Shelton, CT
(US)

(**) Term: **15 Years**

(21) Appl. No.: **29/645,812**

(22) Filed: **Apr. 30, 2018**

(51) **LOC (12) Cl.** **26-05**

(52) **U.S. Cl.**
USPC **D26/118**

(58) **Field of Classification Search**
USPC D26/24, 72, 74-76, 78, 79, 81, 82, 88,
D26/89, 91, 113, 118-120, 138, 141, 142
CPC F21V 21/04; F21V 21/041; F21V 7/005;
F21S 8/02; F21S 8/026; F21S 8/04
See application file for complete search history.

(56) **References Cited**

U.S. PATENT DOCUMENTS

D442,313 S *	5/2001	Wojtkowiak	D26/71
D591,445 S *	4/2009	Guercio	D26/71
D670,021 S *	10/2012	Ahrari	D26/92
D673,720 S *	1/2013	Bailey	D26/138
D674,950 S *	1/2013	Lueken	D26/71
D817,533 S *	5/2018	Wan	D26/71
D818,174 S *	5/2018	Wan	D26/71
D821,016 S *	6/2018	Wan	D26/71
D844,879 S *	4/2019	Yu	D26/71

D848,665 S *	5/2019	Stanley	D26/118
D851,814 S *	6/2019	Stanley	D26/118
D854,229 S *	7/2019	Stanley	D26/118
D855,245 S *	7/2019	Chami	D26/118

OTHER PUBLICATIONS

Hubbell CDN Altitude https://hubbellcdn.com/brochure/kl_alt2_lit.pdf Last modified Oct. 12, 2018 (Year: 2018).*

* cited by examiner

Primary Examiner — Leanne Was-Englehart

(74) *Attorney, Agent, or Firm* — Michael Best & Friedrich, LLP

(57) **CLAIM**

We claim the ornamental design for a light fixture, as shown and described.

DESCRIPTION

FIG. 1 is a perspective view of a light fixture showing our new design.

FIG. 2 is another perspective view of the light fixture shown in FIG. 1.

FIG. 3 is a first side view of the light fixture shown in FIG. 1.

FIG. 4 is a second side view of the light fixture shown in FIG. 1.

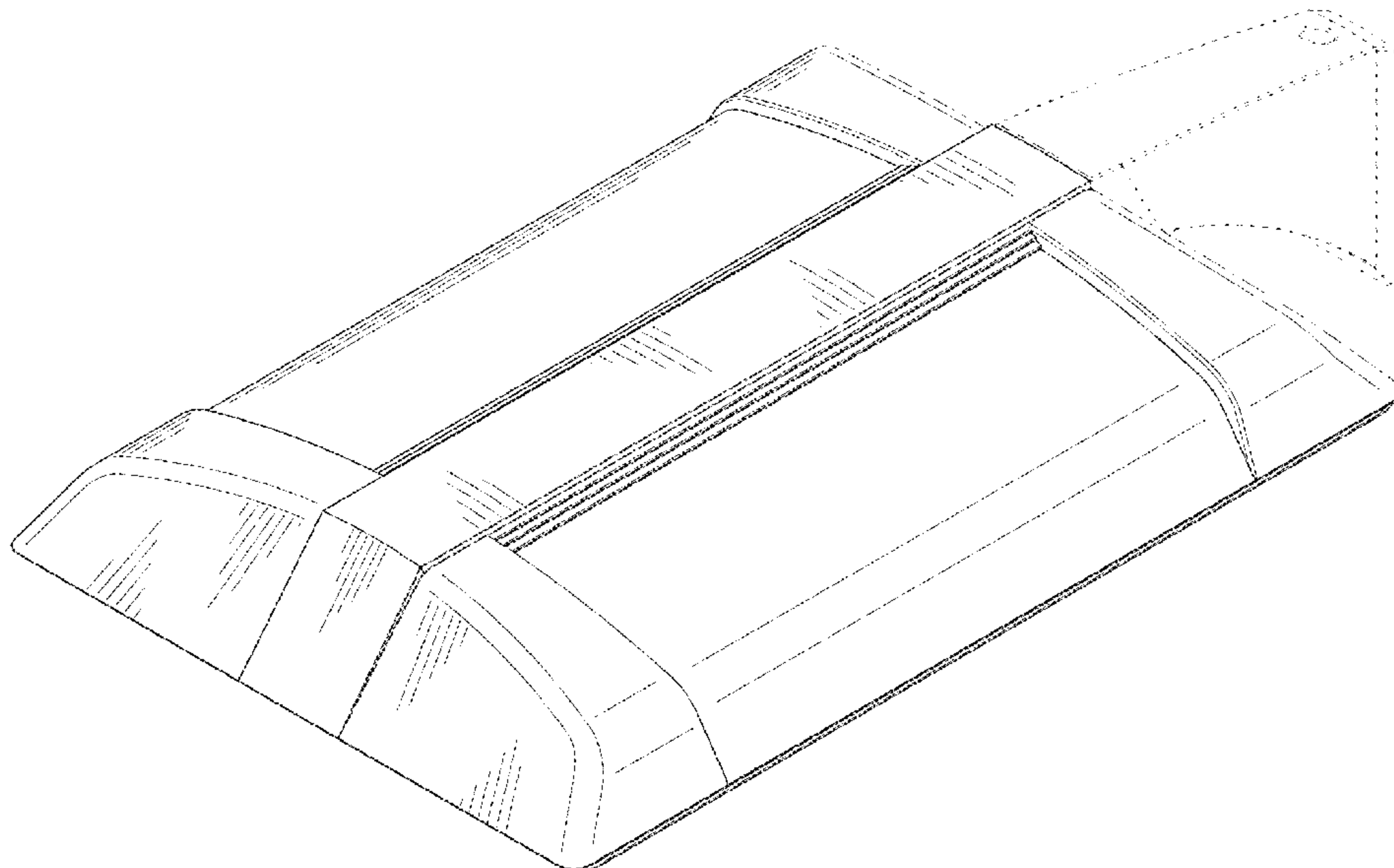
FIG. 5 is a top plan view of the light fixture shown in FIG. 1.

FIG. 6 is a bottom plan view of the light fixture shown in FIG. 1; and,

FIG. 7 is a front end view of the light fixture shown in FIG. 1.

The broken lines shown in the drawings illustrate portions of the light fixture that form no part of the claimed design. The dot-dash-dot lines shown in the drawings indicate boundaries of the claimed portions of the light fixture and form no part of the claimed design.

1 Claim, 6 Drawing Sheets



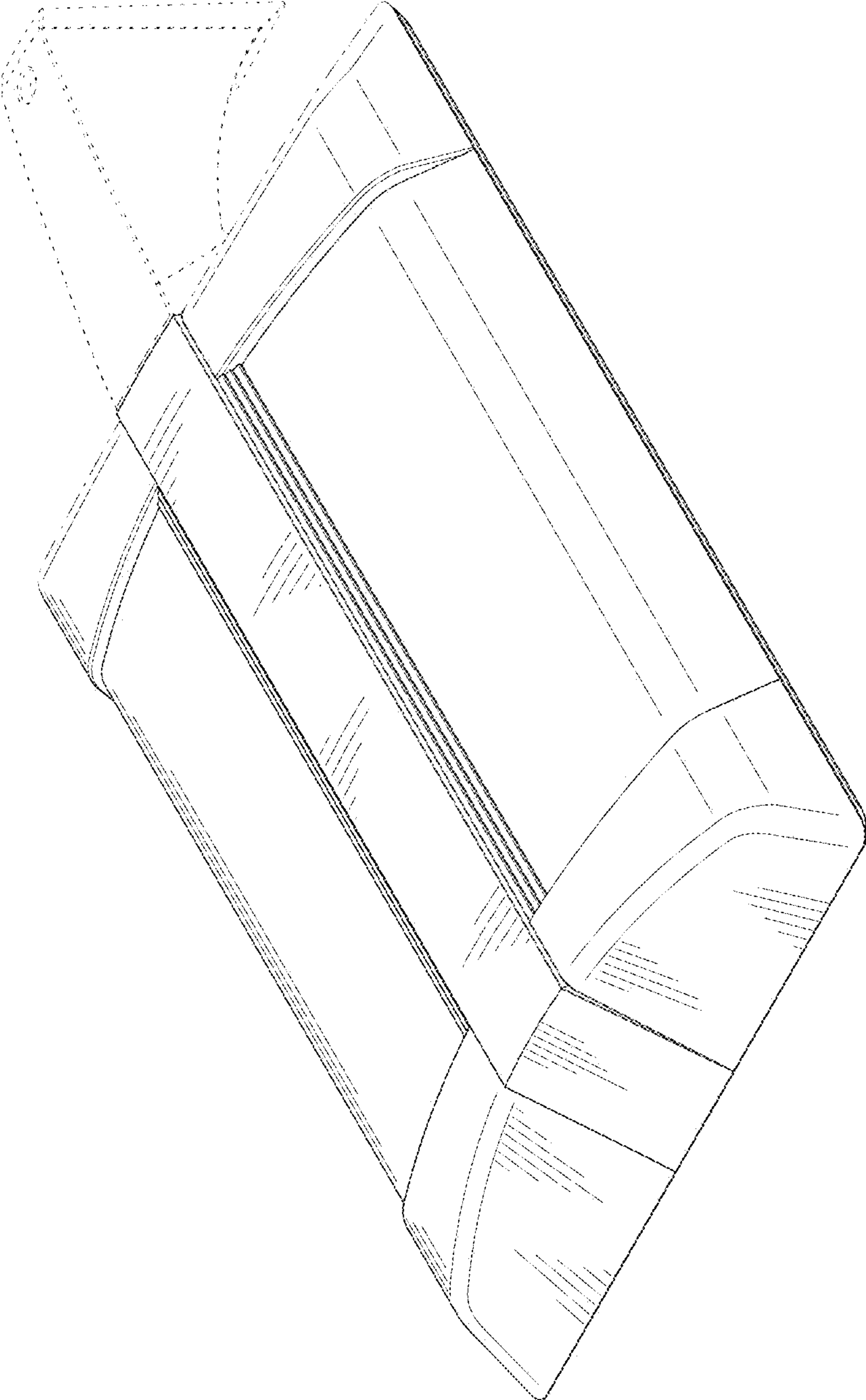


FIG. 1

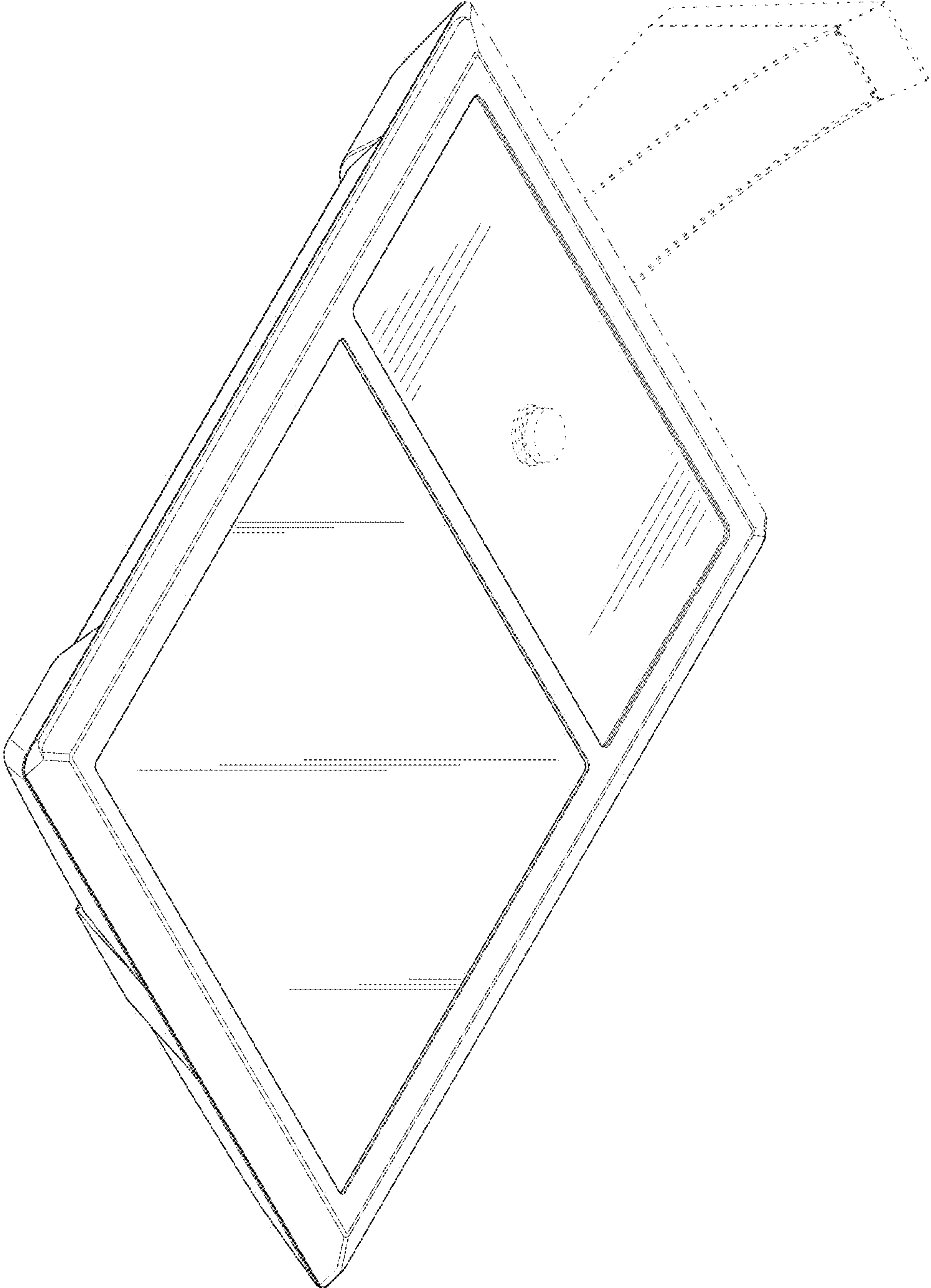


FIG. 2

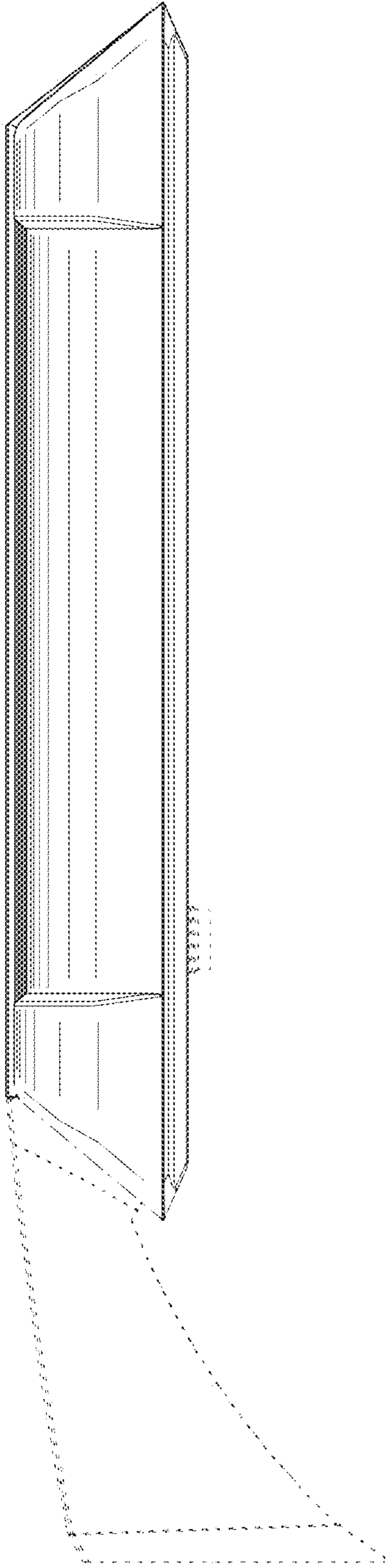


FIG. 3

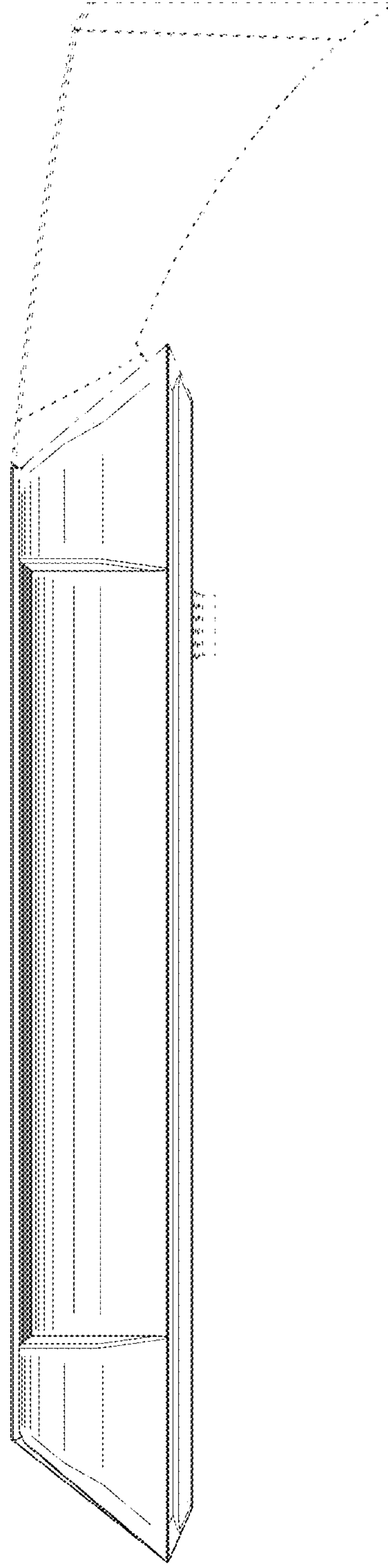


FIG. 4

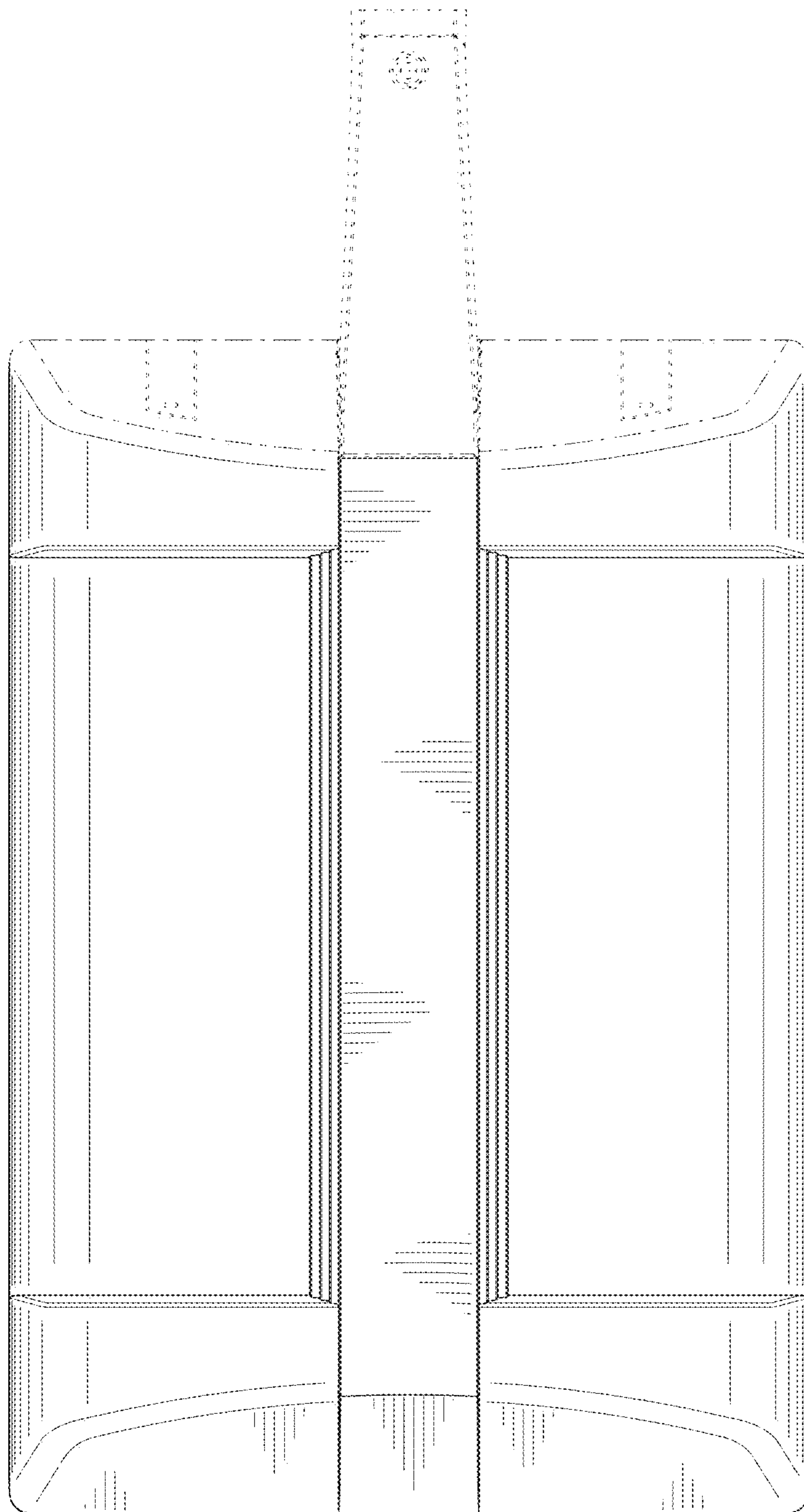


FIG. 5

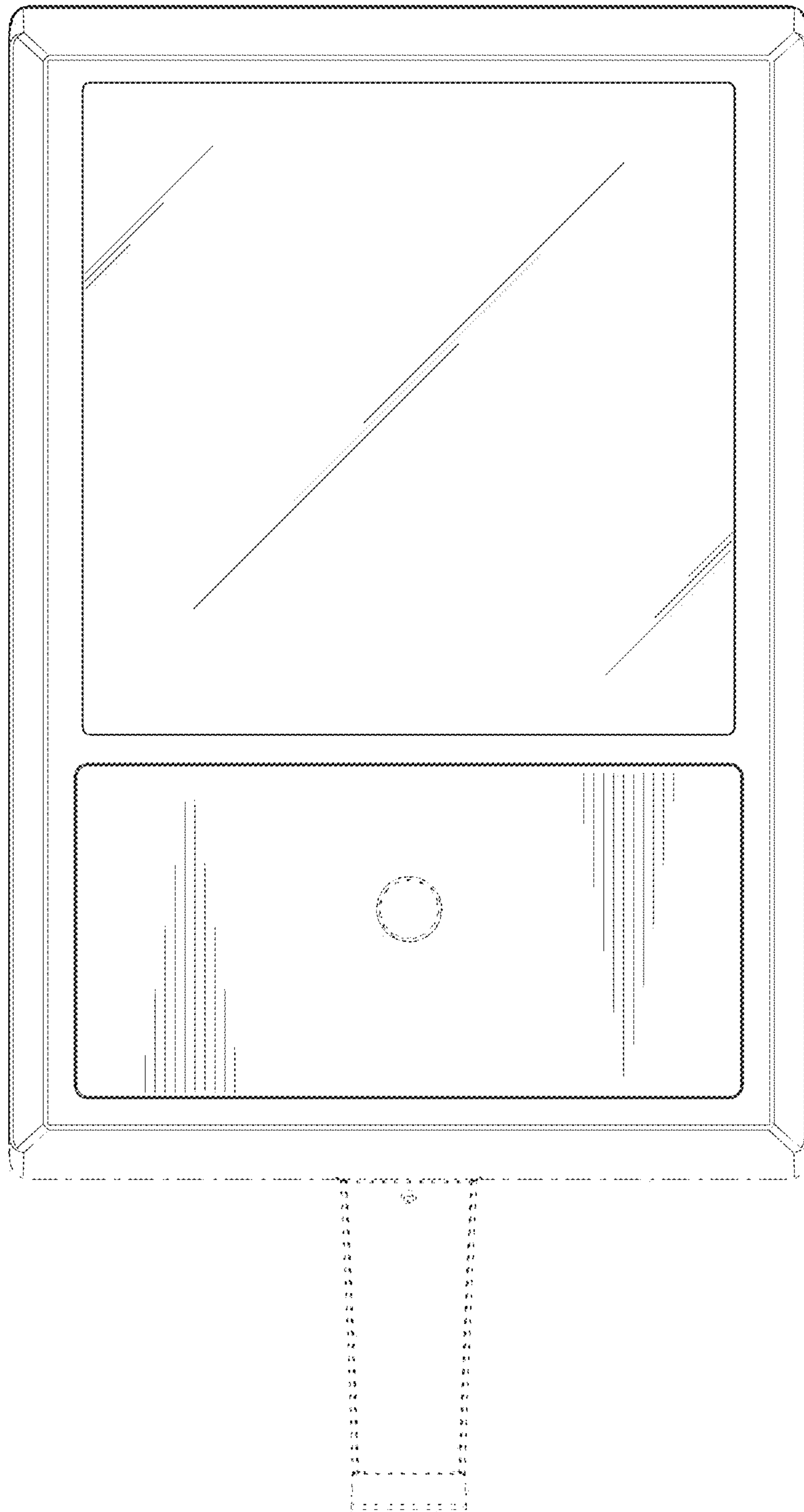


FIG. 6

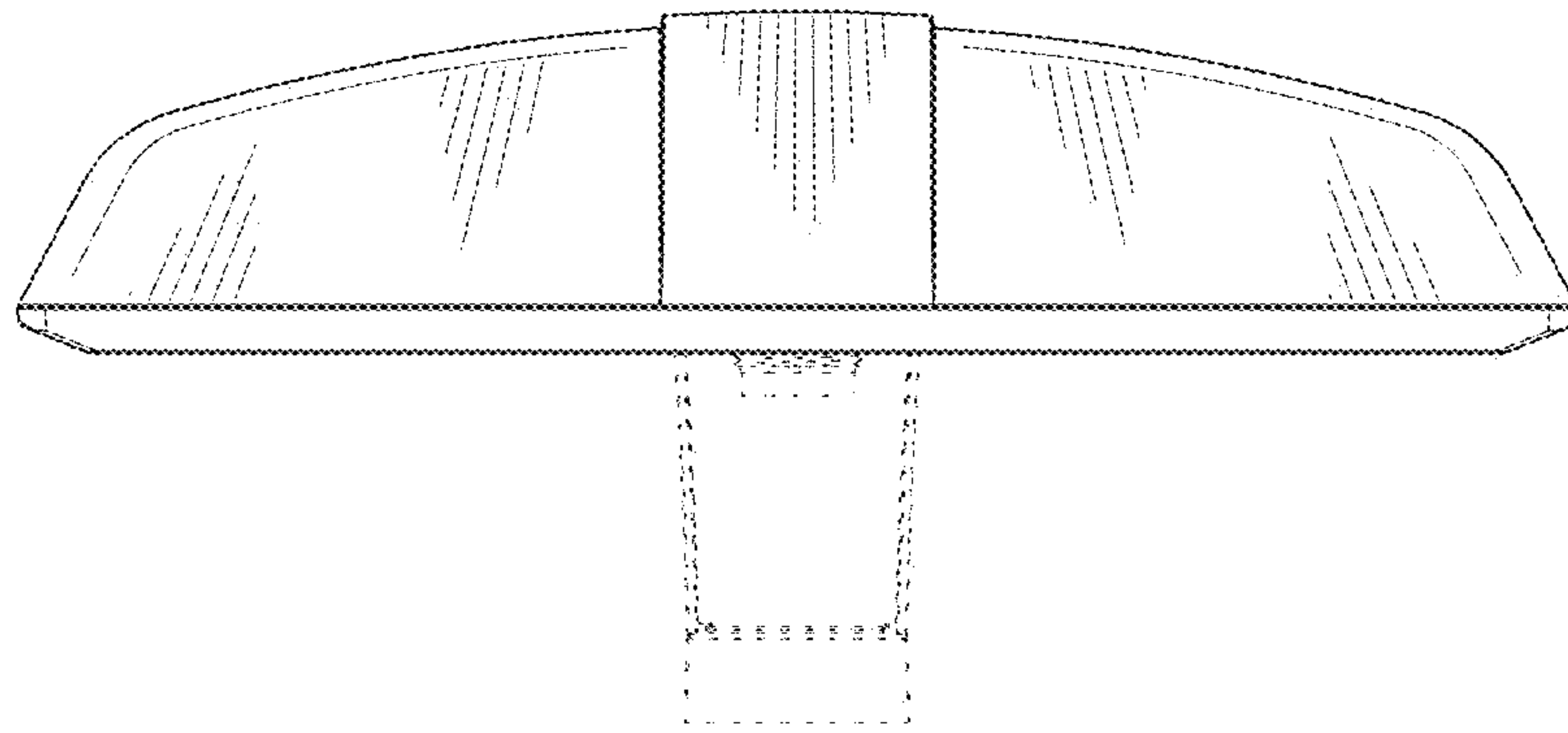


FIG. 7