

US00D894468S

(12) **United States Design Patent** (10) **Patent No.:** **US D894,468 S**  
**Hollopeter et al.** (45) **Date of Patent:** **\*\* Aug. 25, 2020**

(54) **CONTROL HANDLE FOR A SURGICAL LIGHTHEAD**

(71) Applicant: **American Sterilizer Company,**  
Mentor, OH (US)

(72) Inventors: **Michael Hollopeter,** Kirtland, OH  
(US); **Damon Thomas Jurkiewicz,**  
Cleveland, OH (US)

(\*\*) Term: **15 Years**

(21) Appl. No.: **29/632,813**

(22) Filed: **Jan. 10, 2018**

(51) **LOC (12) Cl.** ..... **26-99**

(52) **U.S. Cl.**  
USPC ..... **D26/113; D26/118; D26/51**

(58) **Field of Classification Search**  
USPC ..... **D26/113, 51, 63, 65, 67, 68, 52**  
(Continued)

(56) **References Cited**

U.S. PATENT DOCUMENTS

D289,206 S 4/1987 Scoville, Jr. et al.  
D298,864 S 12/1988 Jefferson

(Continued)

*Primary Examiner* — Lakiya G Rogers

*Assistant Examiner* — Carissa C Fitts

(74) *Attorney, Agent, or Firm* — Kusner & Jaffe

(57) **CLAIM**

The ornamental design for a control handle for a surgical lighthead, as shown and described.

**DESCRIPTION**

FIG. 1 is a front top perspective view of a control handle for a surgical lighthead showing our new design according to a first embodiment;

FIG. 2 is a front bottom perspective view of the first embodiment;

FIG. 3 is a front elevation view of the first embodiment;

FIG. 4 is a left elevation view of the first embodiment;

FIG. 5 is a right elevation view of the first embodiment;

FIG. 6 is a back elevation view of the first embodiment;

FIG. 7 is a top plan view of the first embodiment;

FIG. 8 is a bottom plan view of the first embodiment;

FIG. 9 is a front top perspective view of a control handle for a

surgical lighthead showing our new design according to a second embodiment;

FIG. 10 is a front bottom perspective view of the second embodiment;

FIG. 11 is a front elevation view of the second embodiment;

FIG. 12 is a left elevation view of the second embodiment;

FIG. 13 is a right elevation view of the second embodiment;

FIG. 14 is a back elevation view of the second embodiment;

FIG. 15 is a top plan view of the second embodiment;

FIG. 16 is a bottom plan view of the second embodiment;

FIG. 17 is a front top perspective view of a control handle for a surgical lighthead showing our new design according to a third embodiment;

FIG. 18 is a front bottom perspective view of the third embodiment;

FIG. 19 is a front elevation view of the third embodiment;

FIG. 20 is a left elevation view of the third embodiment;

FIG. 21 is a right elevation view of the third embodiment;

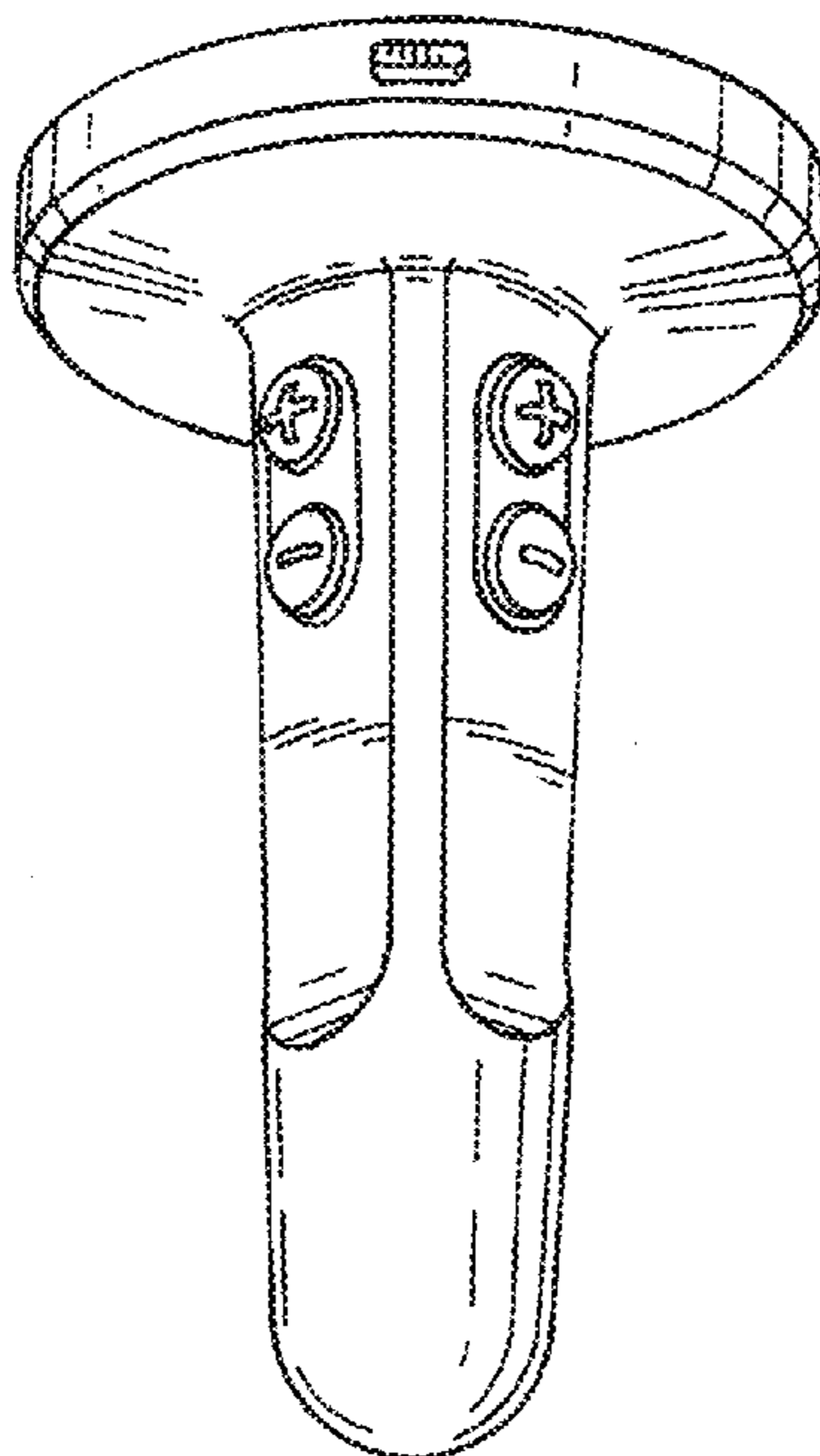
FIG. 22 is a back elevation view of the third embodiment;

FIG. 23 is a top plan view of the third embodiment; and,

FIG. 24 is a bottom plan view of the third embodiment.

The broken lines show portions of the article which form no part of the claimed design.

**1 Claim, 9 Drawing Sheets**



(58) **Field of Classification Search**

CPC .... F21S 8/04; F21S 8/00; F21V 21/00; F21V  
17/02; F21V 14/02; F21V 21/30; F21V  
21/14; F21V 21/26; F21W 2131/10  
See application file for complete search history.

(56) **References Cited**

U.S. PATENT DOCUMENTS

4,878,156 A \* 10/1989 Hallings ..... F21V 21/403  
362/109  
D313,670 S 1/1991 Barron et al.  
D315,615 S 3/1991 Goldstein  
5,165,786 A \* 11/1992 Hubert ..... F21V 15/04  
362/272  
5,709,465 A \* 1/1998 Lanzone ..... F21V 21/406  
362/399  
D421,148 S \* 2/2000 Borders ..... D26/113  
D430,696 S 9/2000 Borders  
D441,490 S 5/2001 Borders  
6,692,141 B2 2/2004 Jesurun et al.  
7,757,352 B2 \* 7/2010 Halamish ..... A61B 46/10  
16/421  
8,052,339 B2 \* 11/2011 Gharibian ..... A61B 1/00128  
396/448  
8,789,243 B2 \* 7/2014 Denmark ..... B25G 1/10  
16/421  
D766,496 S \* 9/2016 Maerzke ..... D26/118  
10,292,785 B2 \* 5/2019 Hampe ..... A61B 90/35  
10,295,164 B2 \* 5/2019 Liang ..... H05B 37/0227  
10,439,611 B2 \* 10/2019 Alexanderson

\* cited by examiner

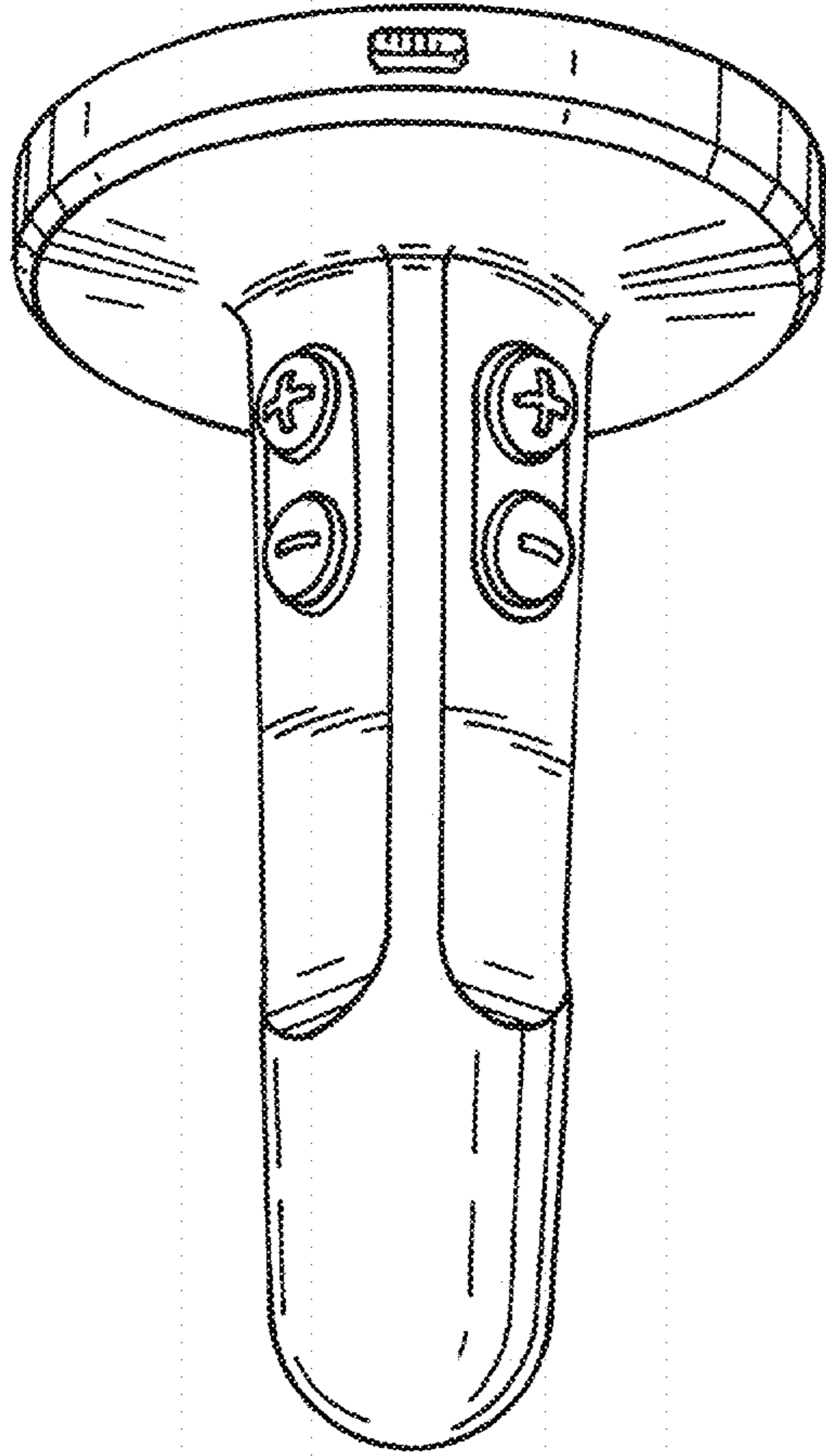


FIG. 1

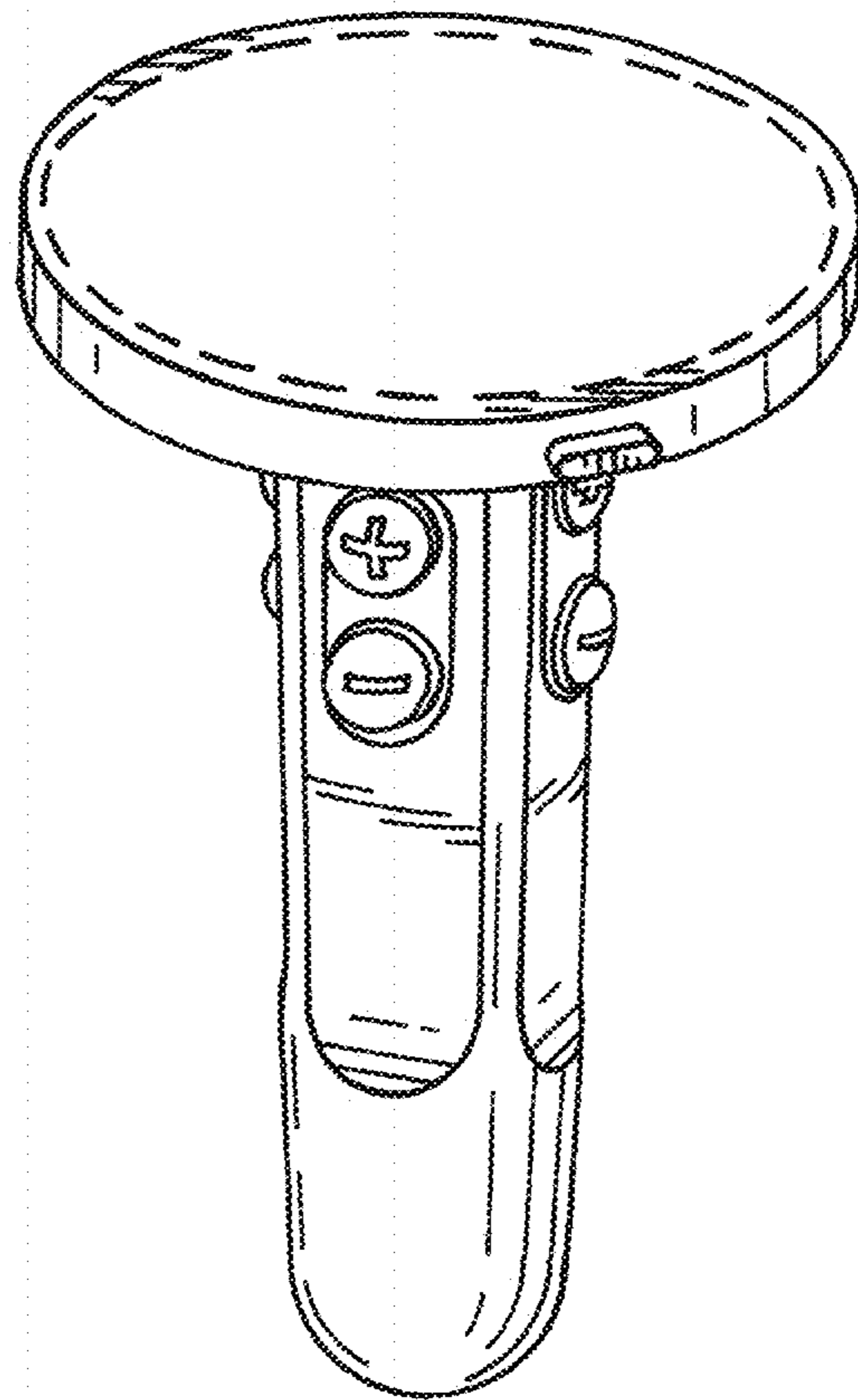


FIG. 2

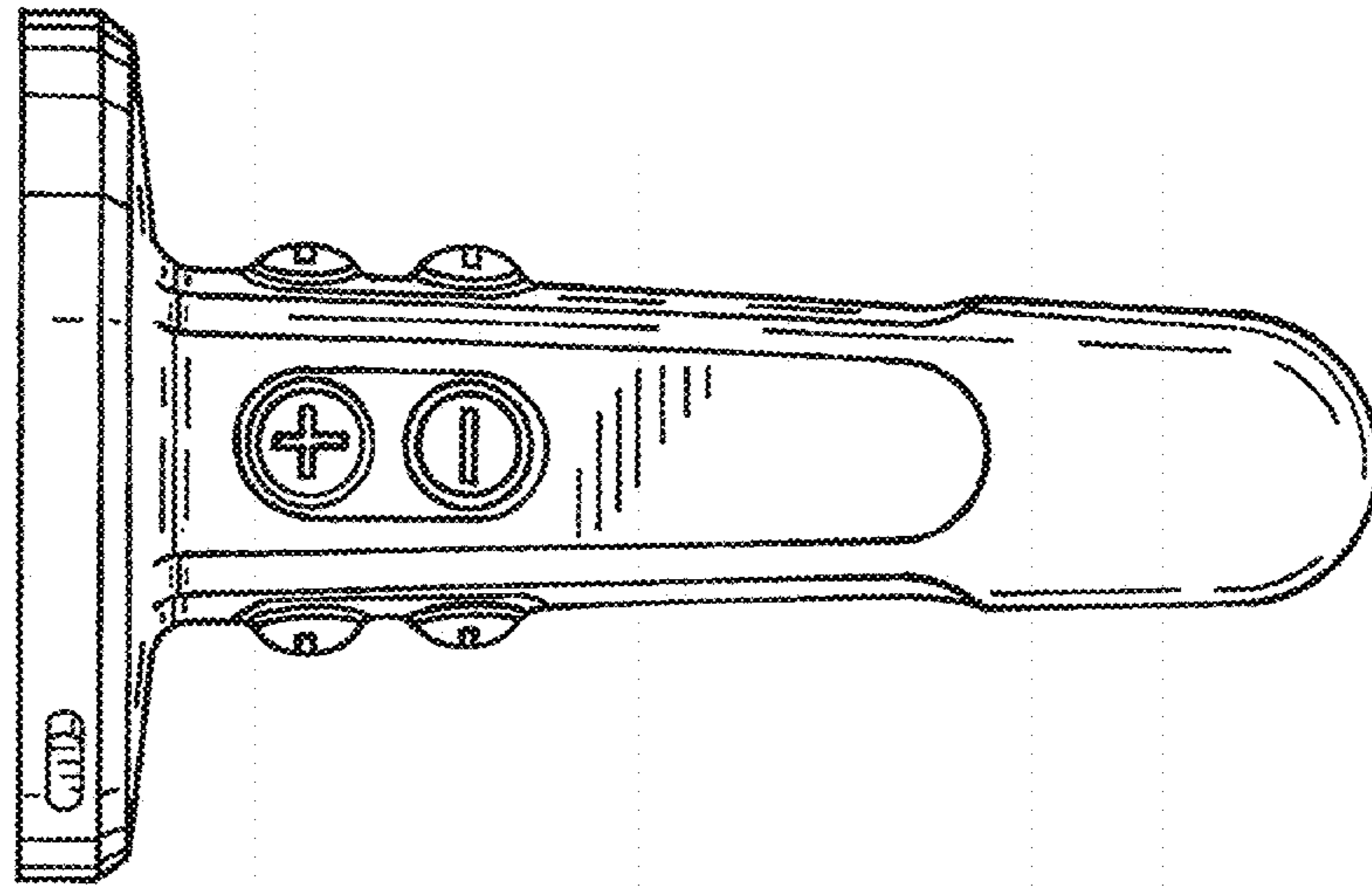


FIG. 5

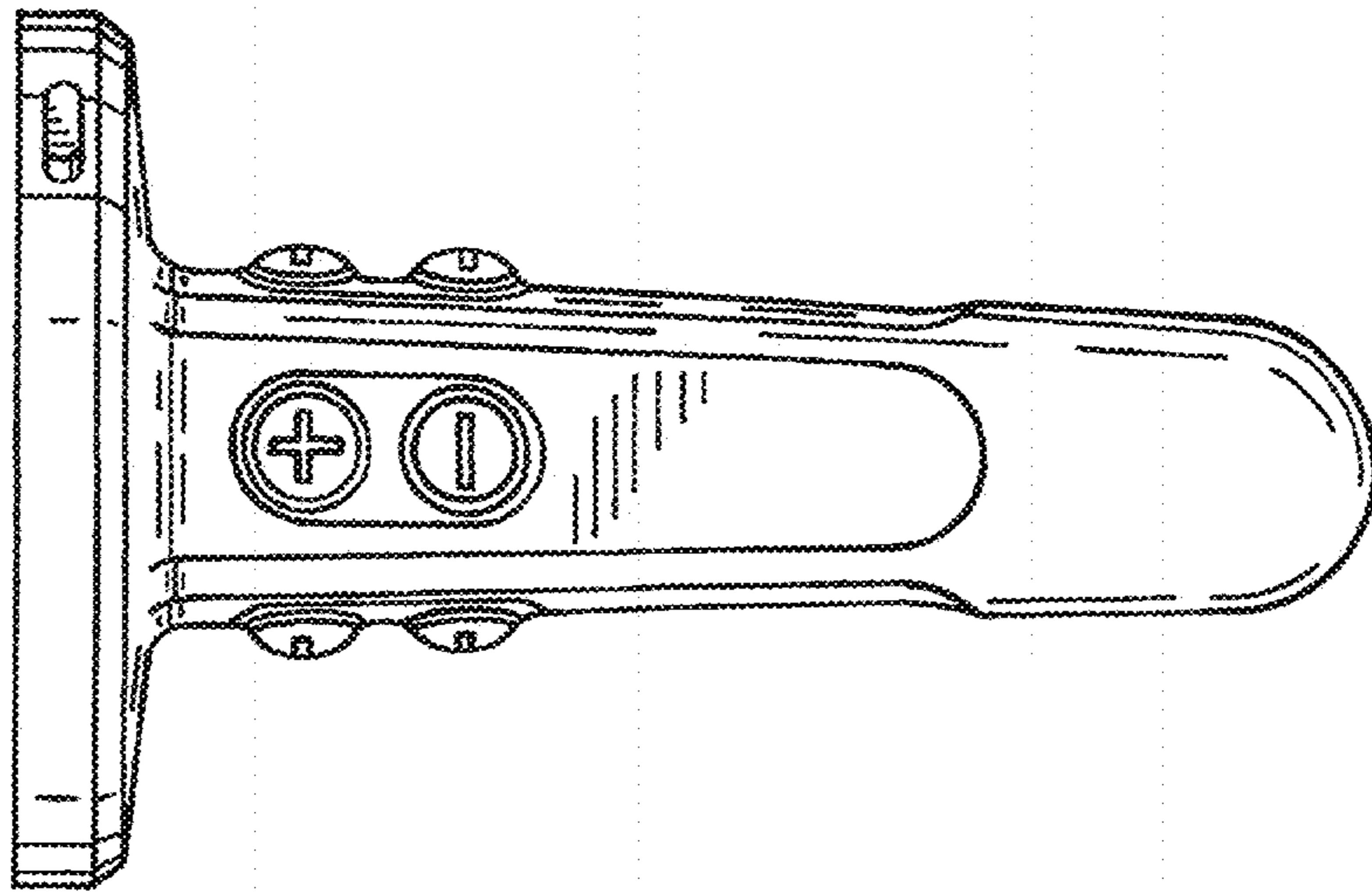


FIG. 3

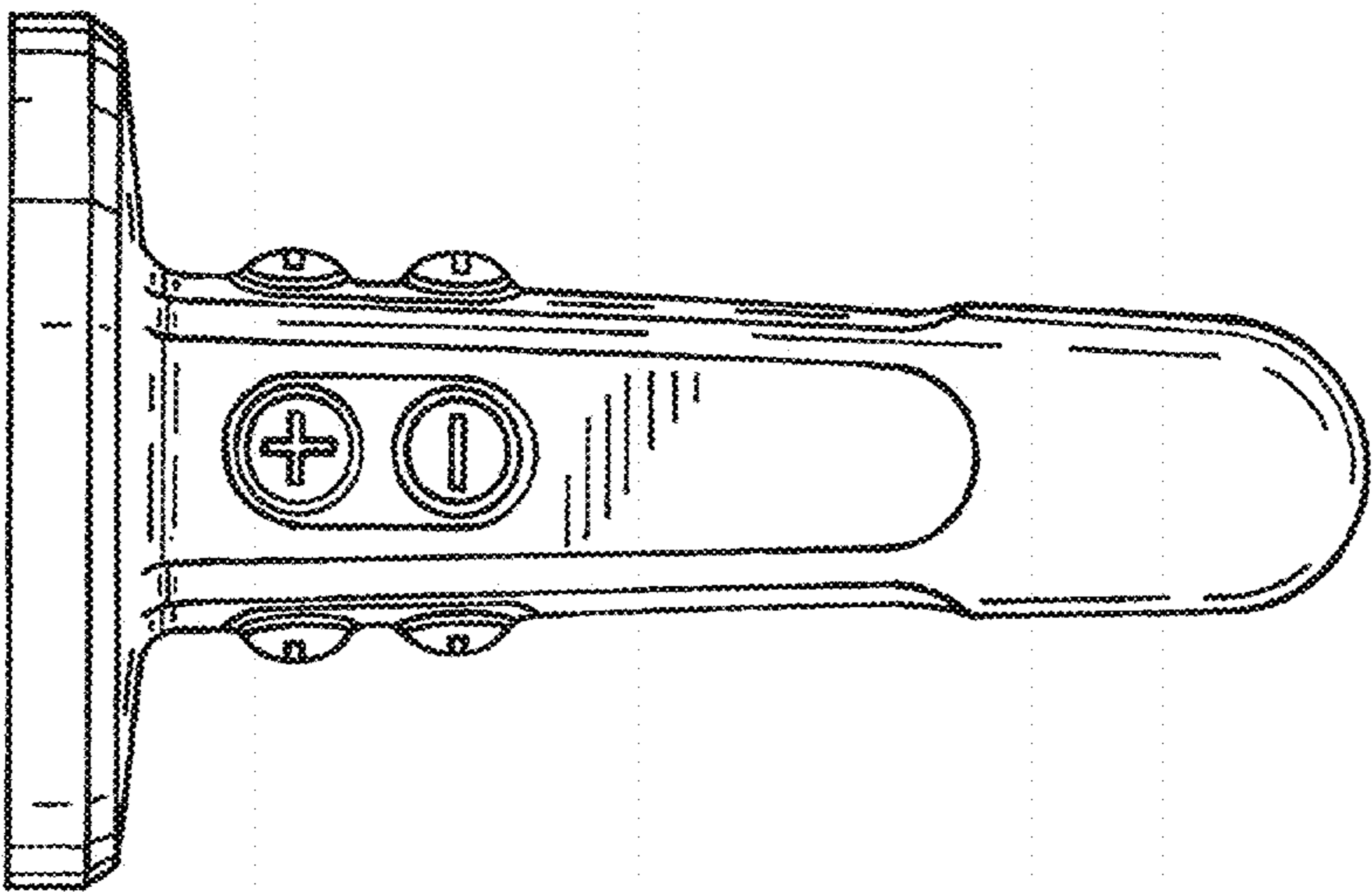


FIG. 4

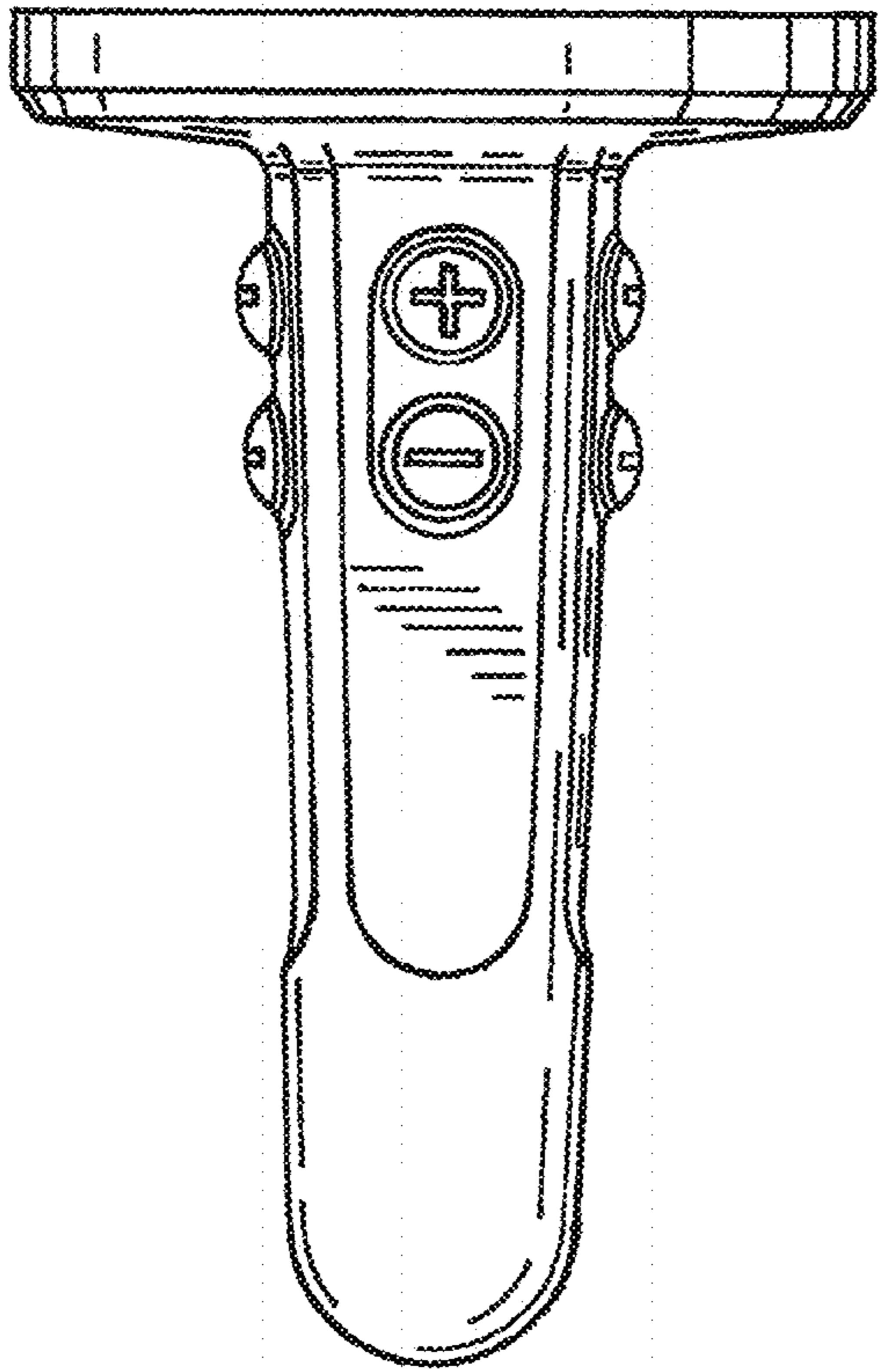


FIG. 6

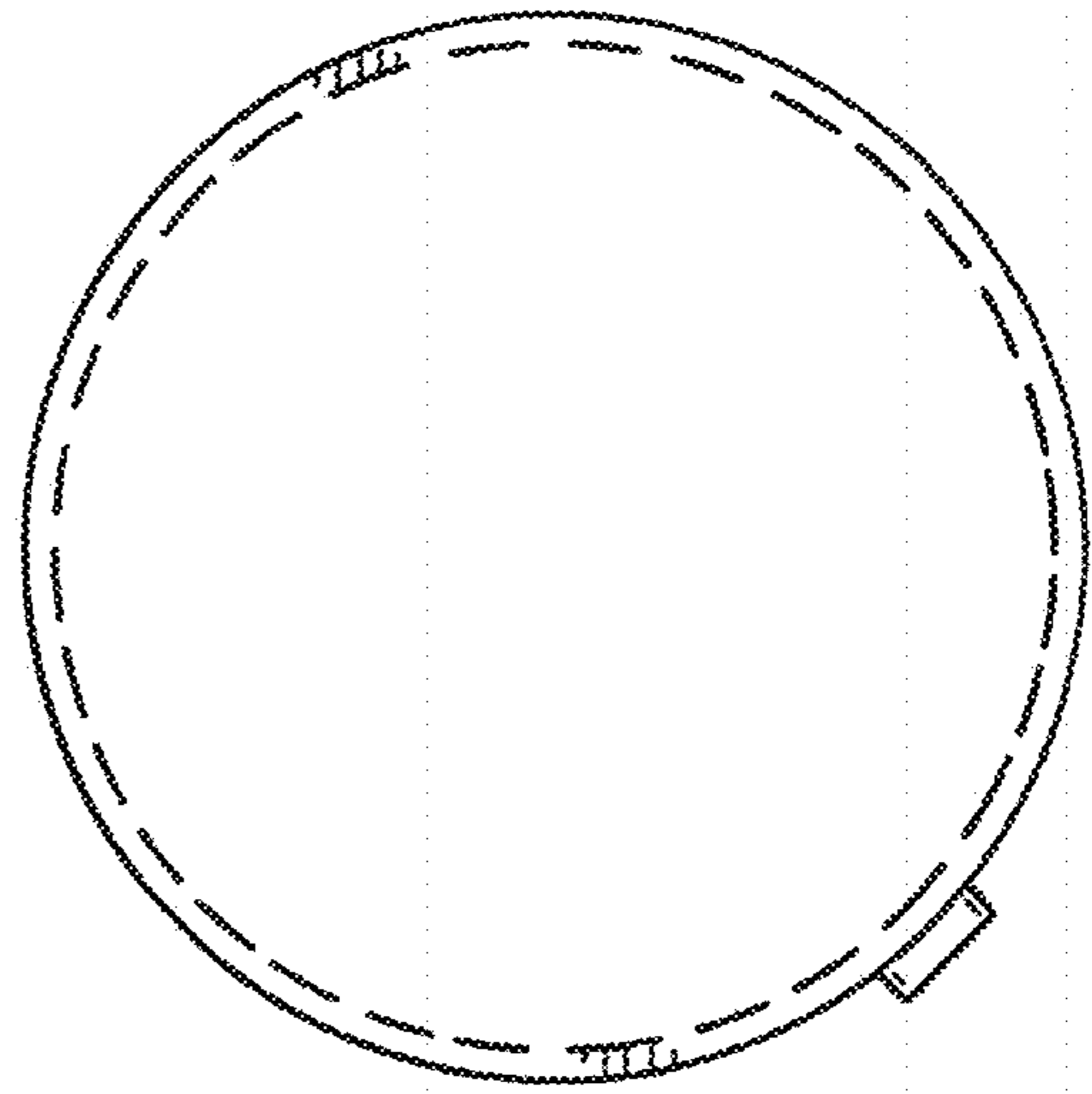


FIG. 7

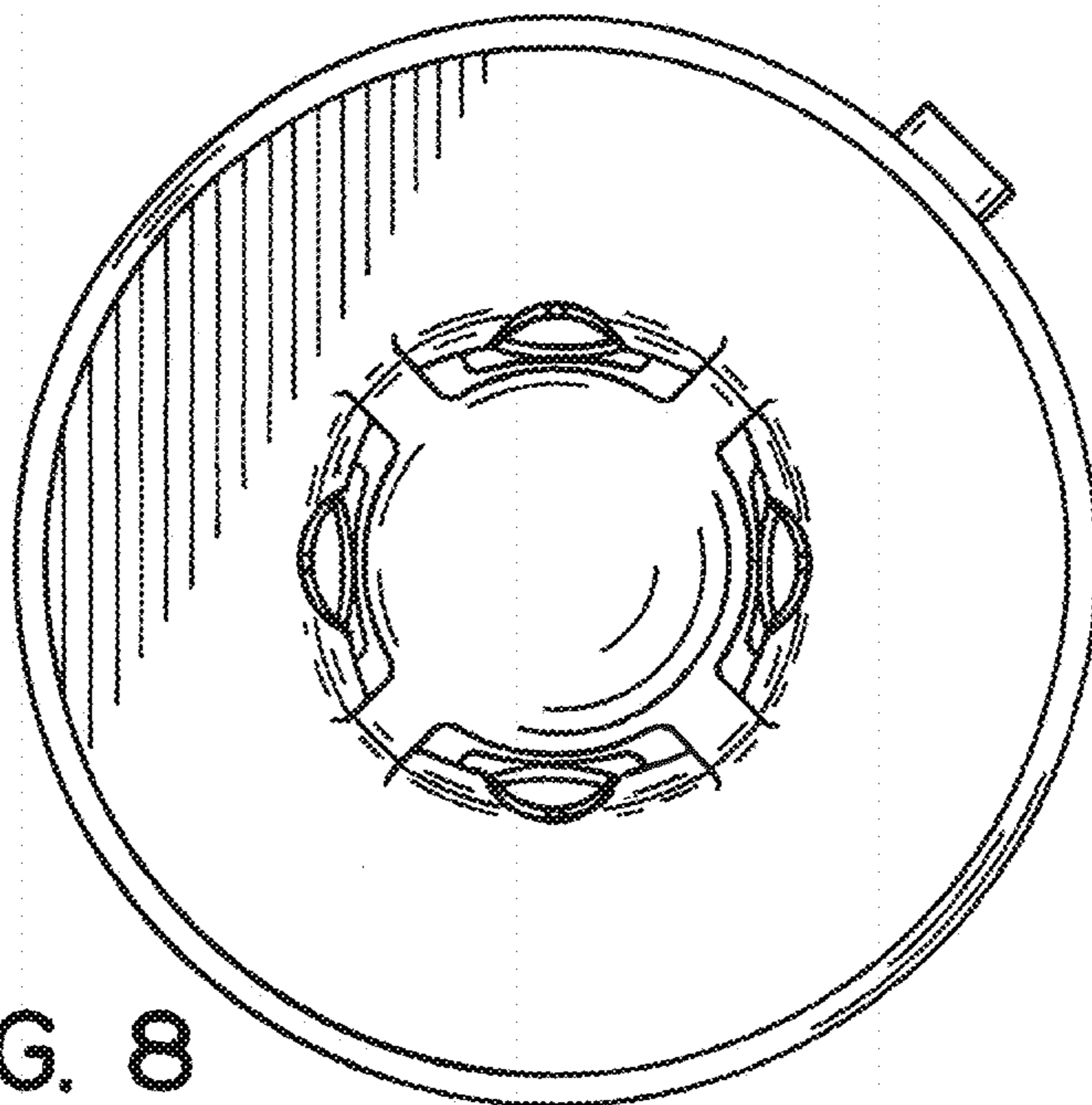


FIG. 8

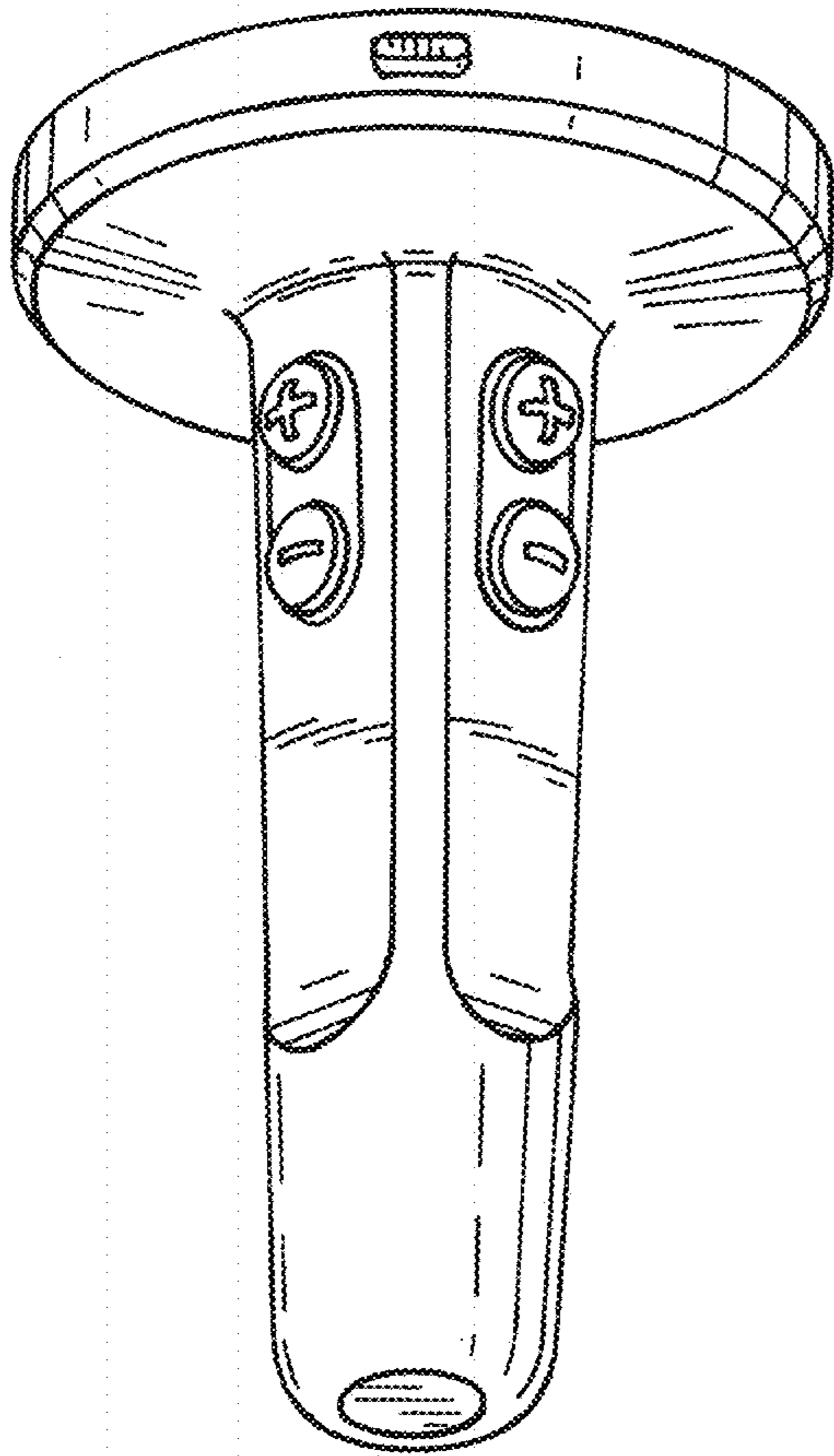


FIG. 9

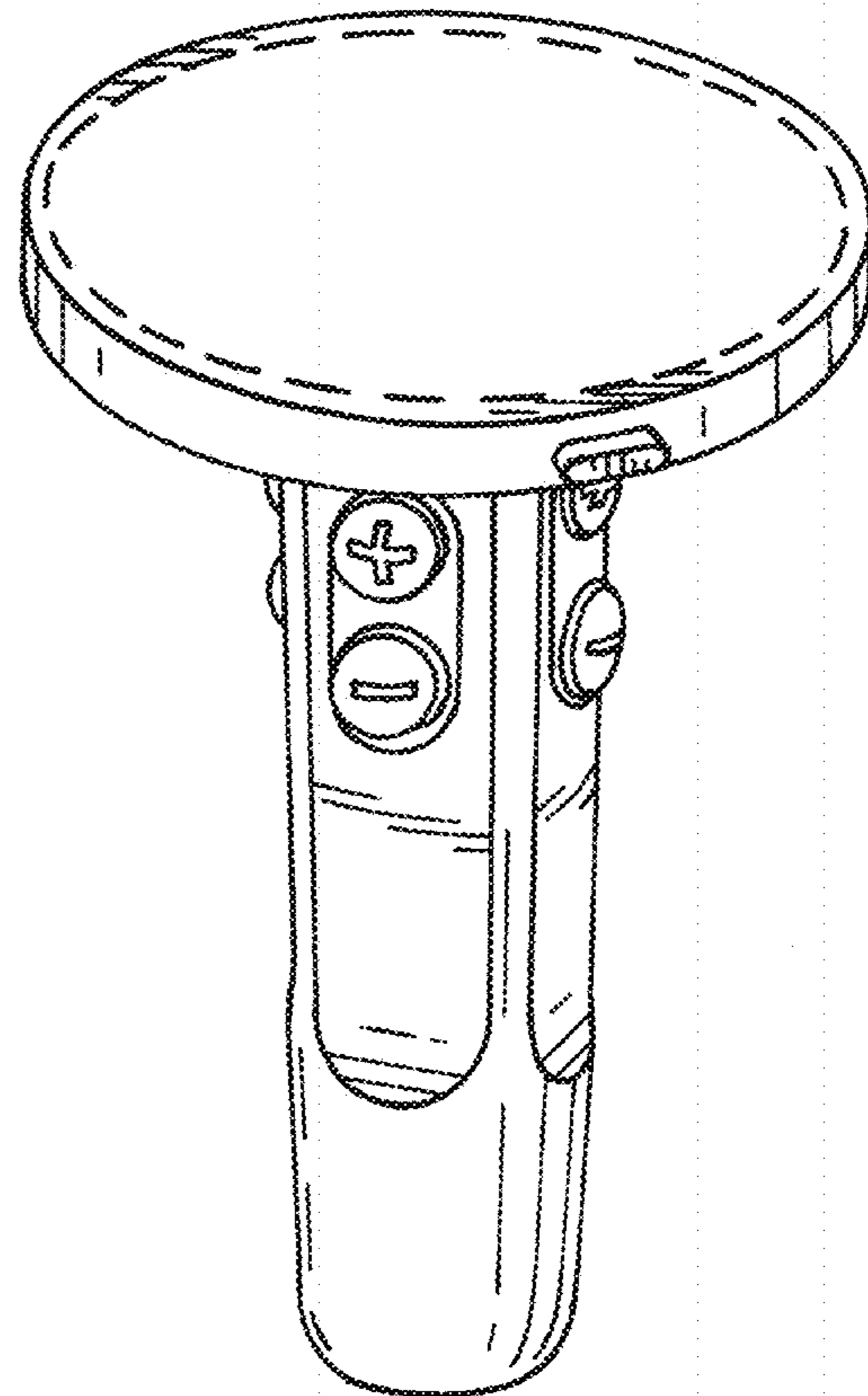


FIG. 10

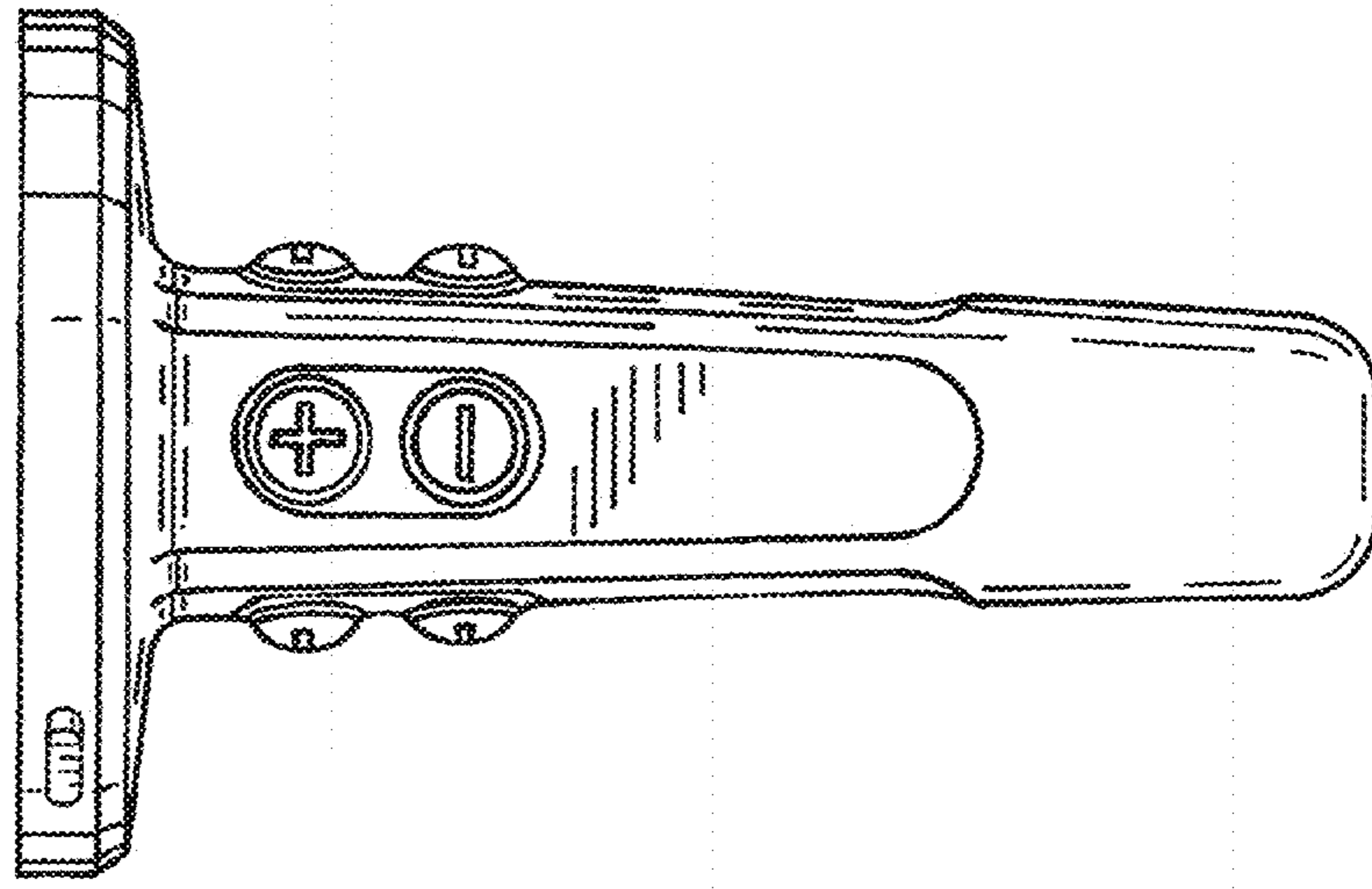


FIG. 13

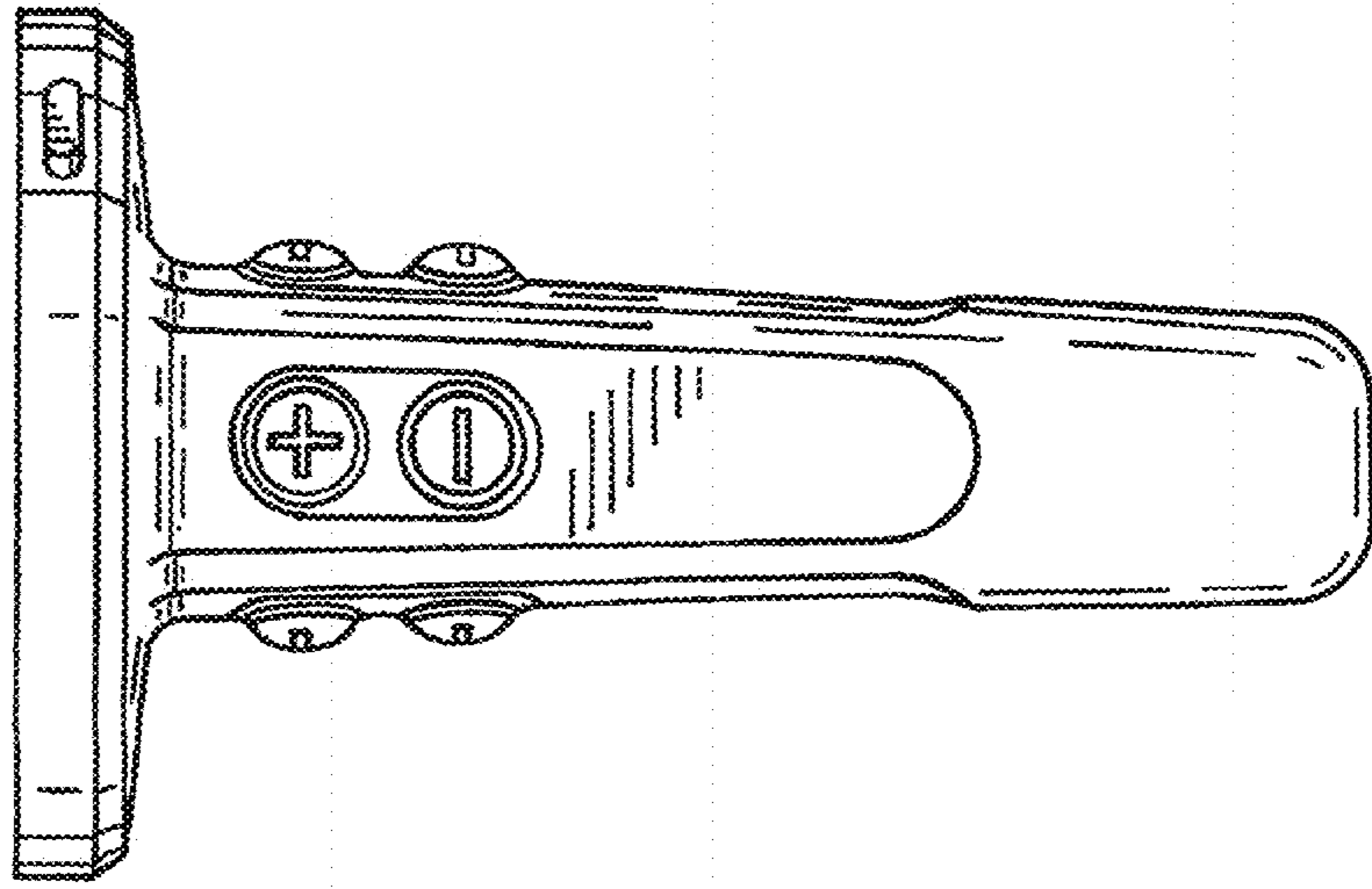


FIG. 11

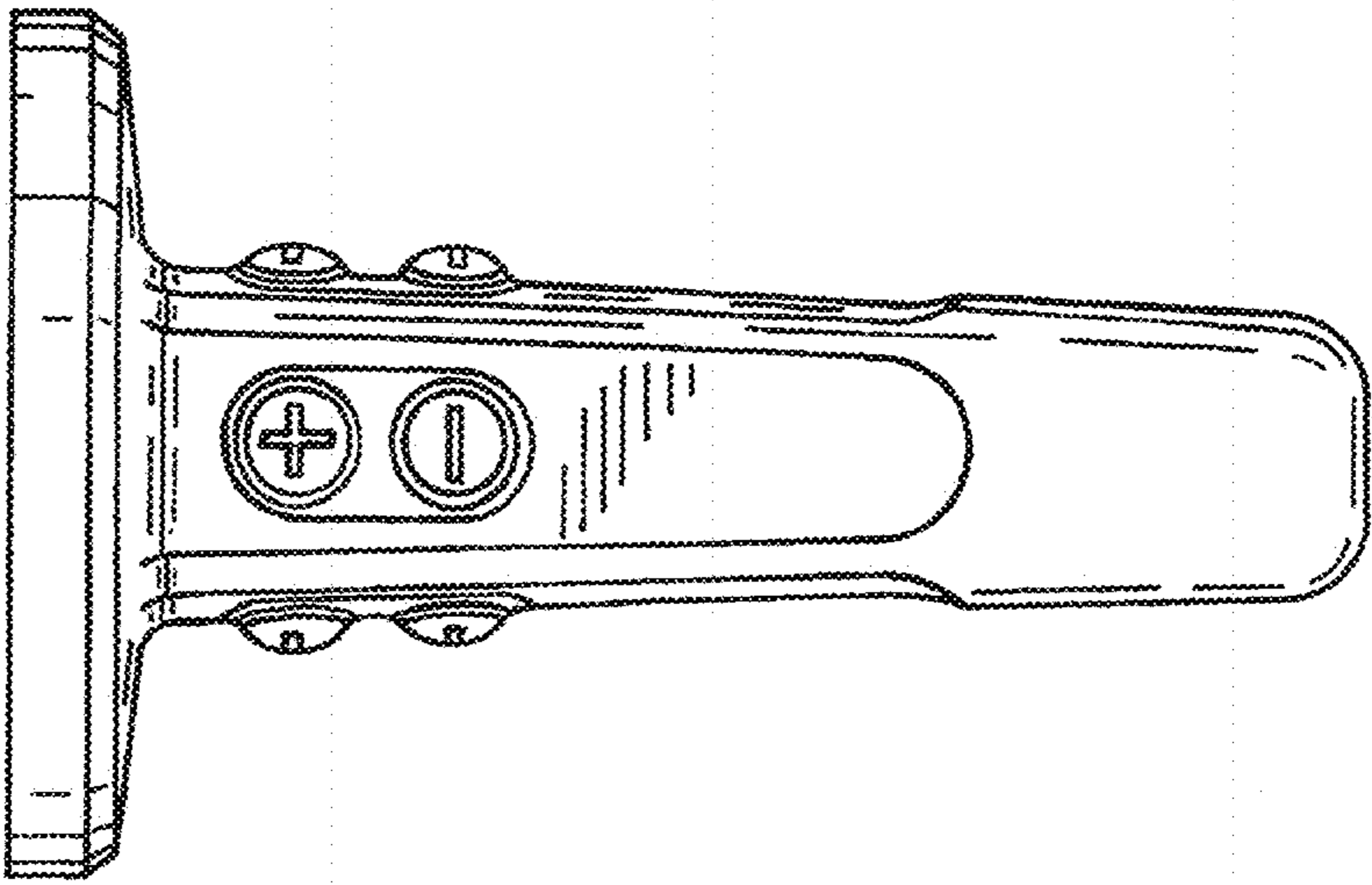


FIG. 12

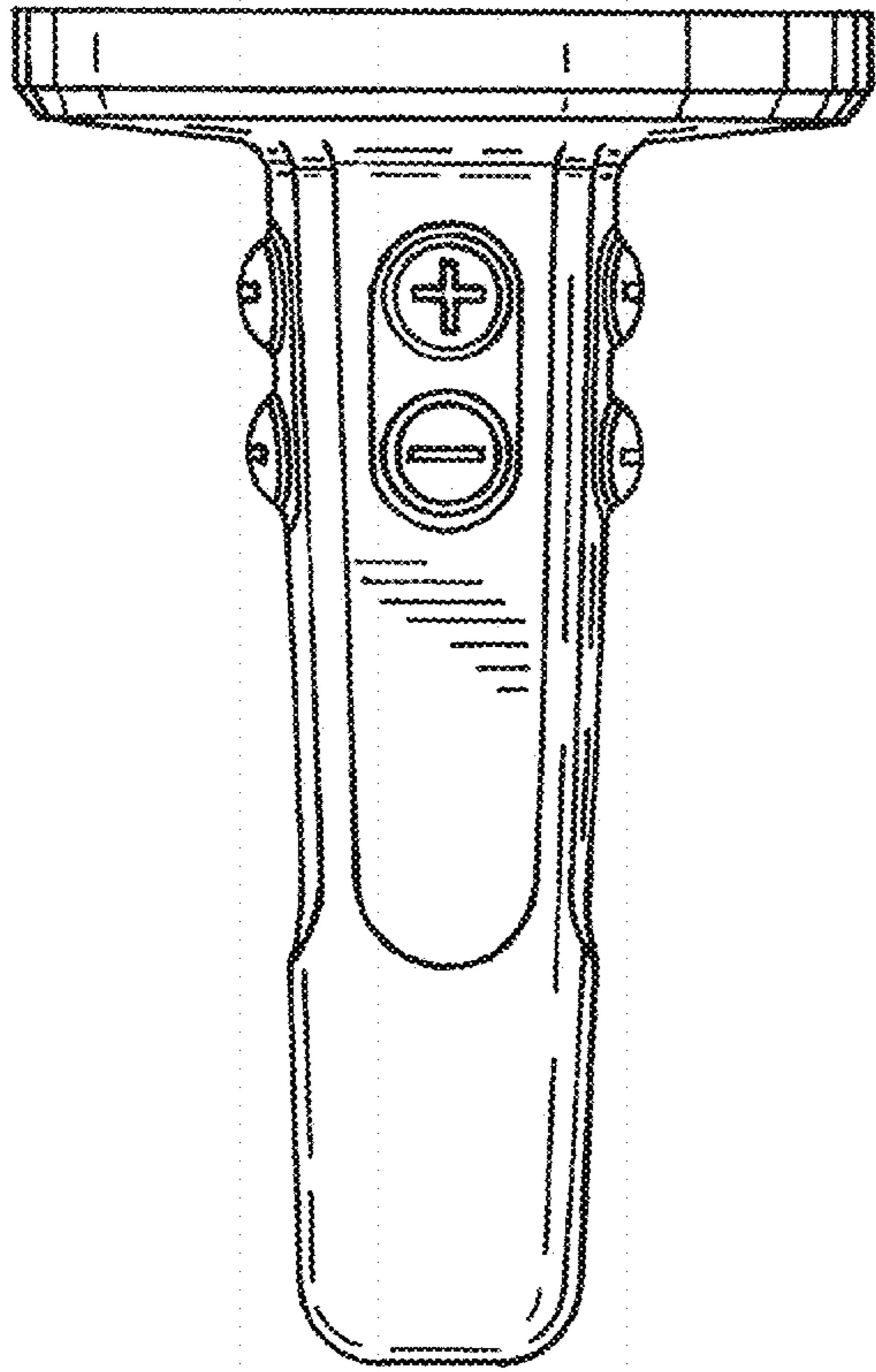


FIG. 14

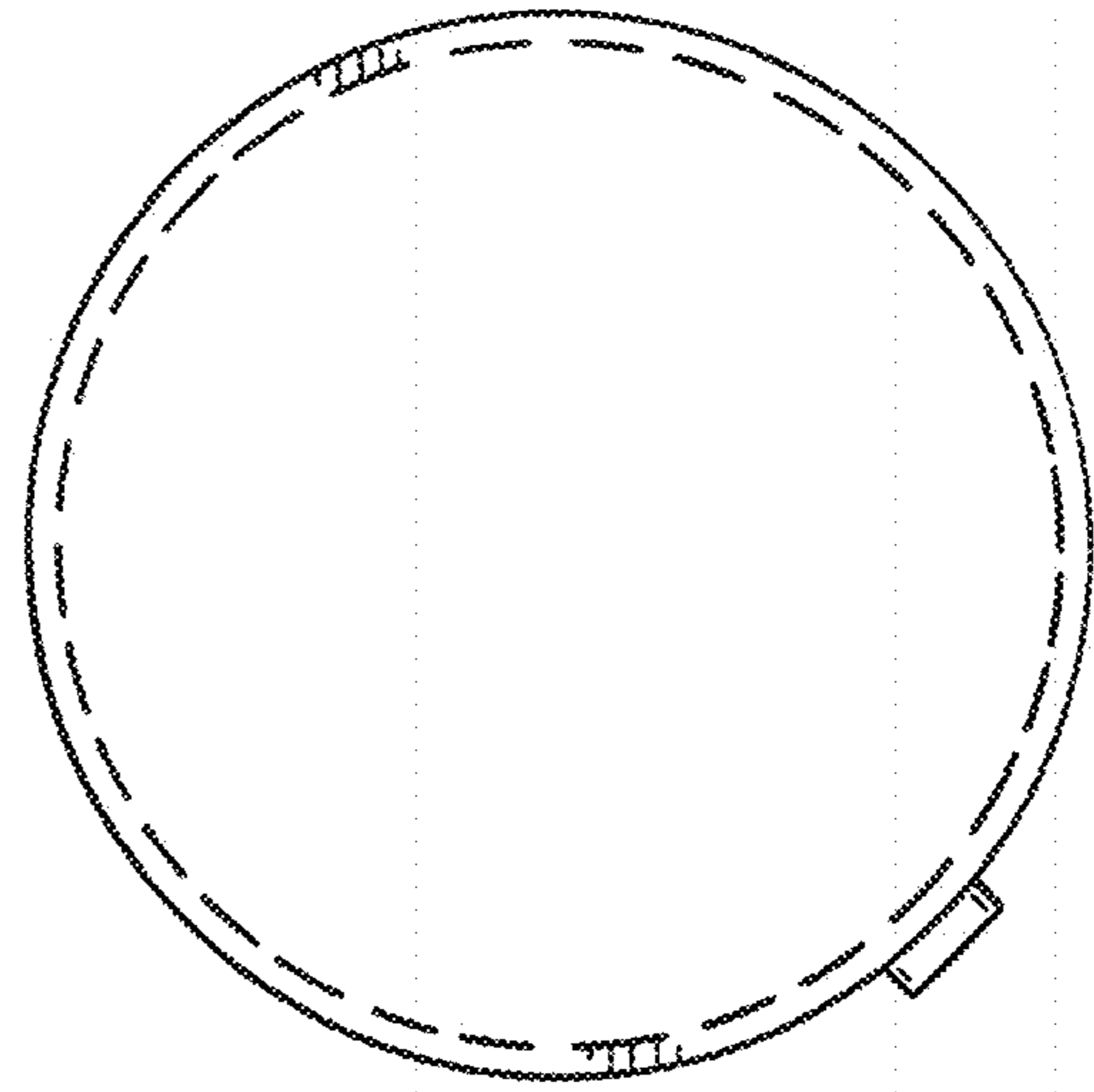


FIG. 15

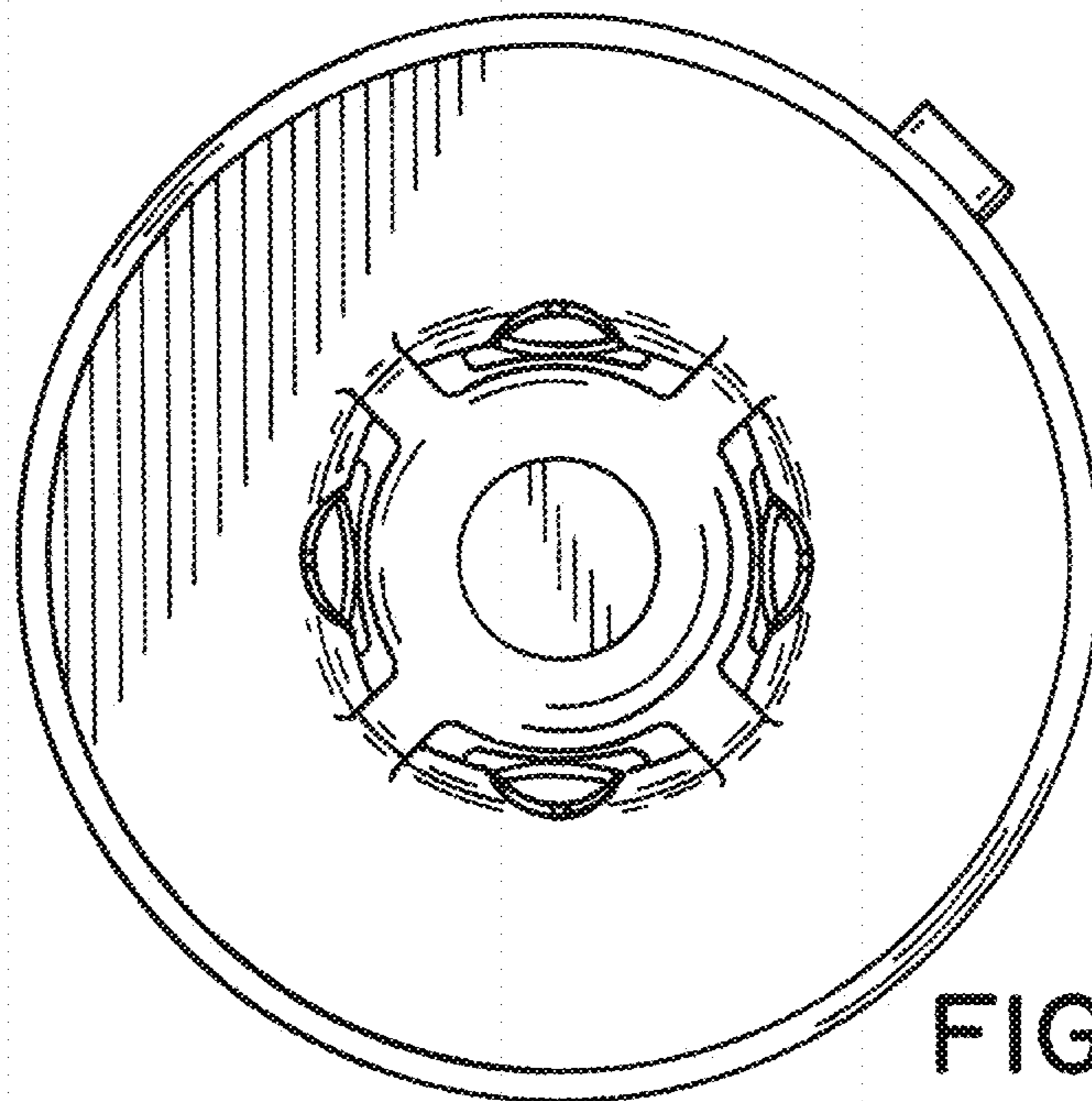


FIG. 16



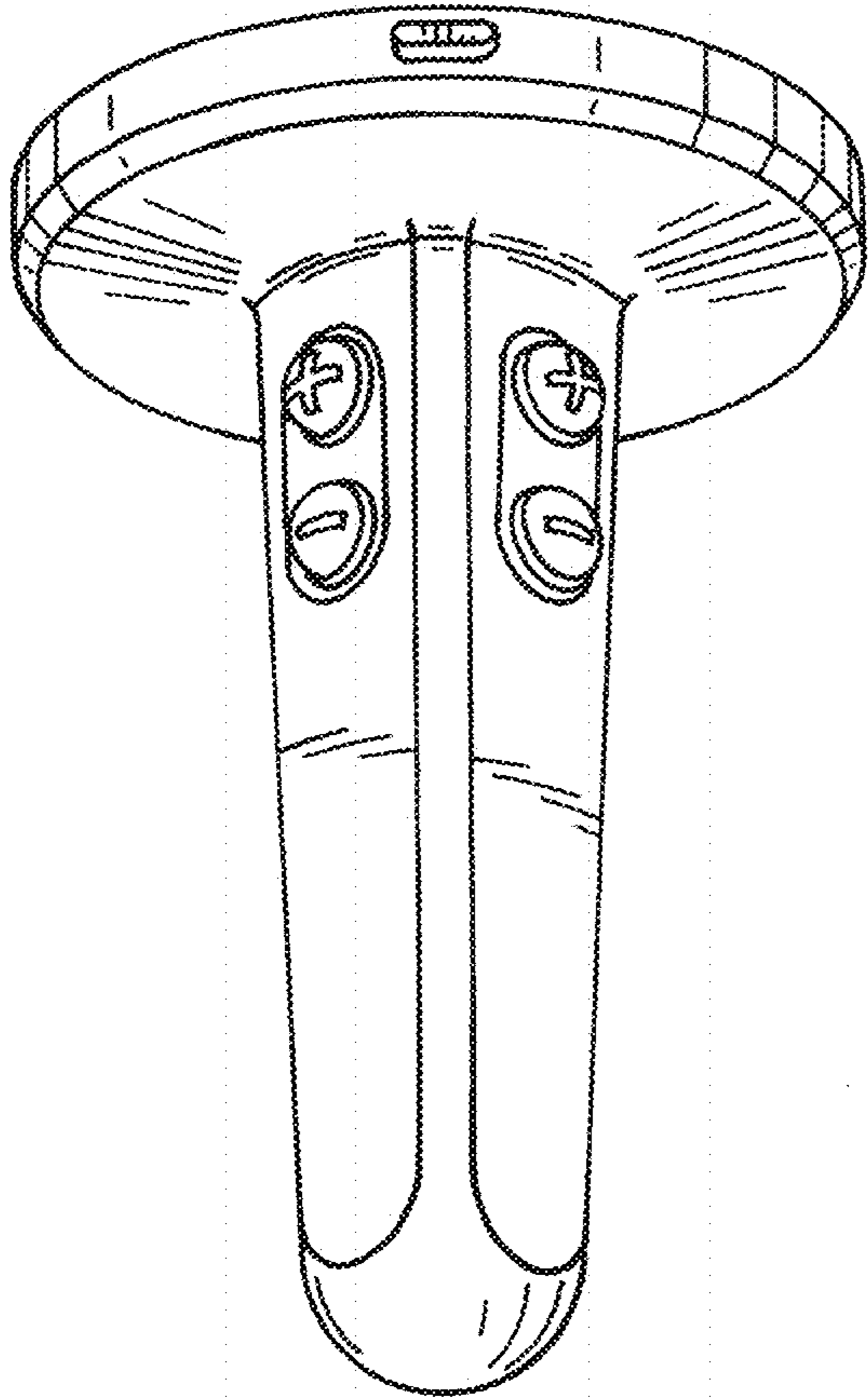


FIG. 17

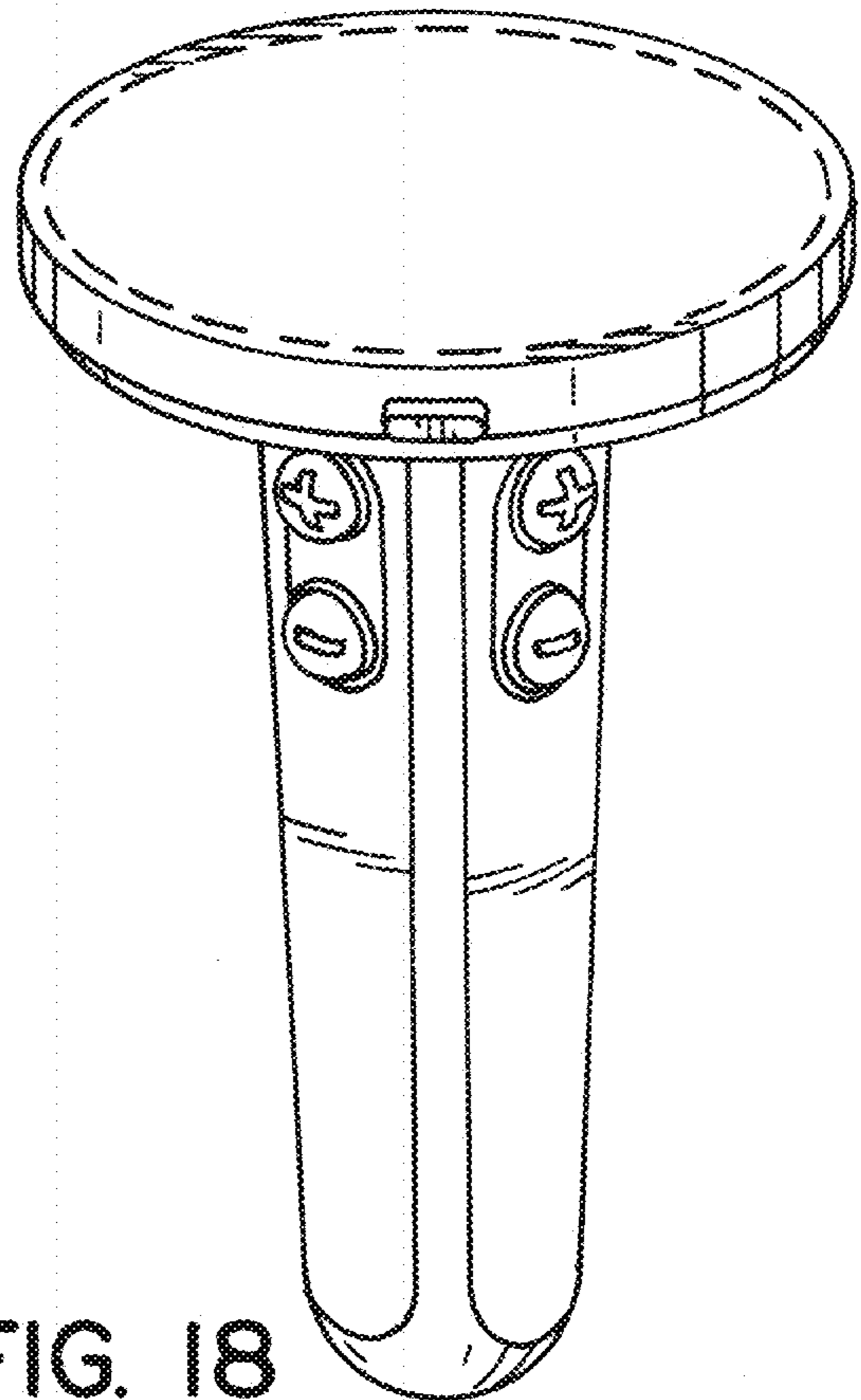


FIG. 18

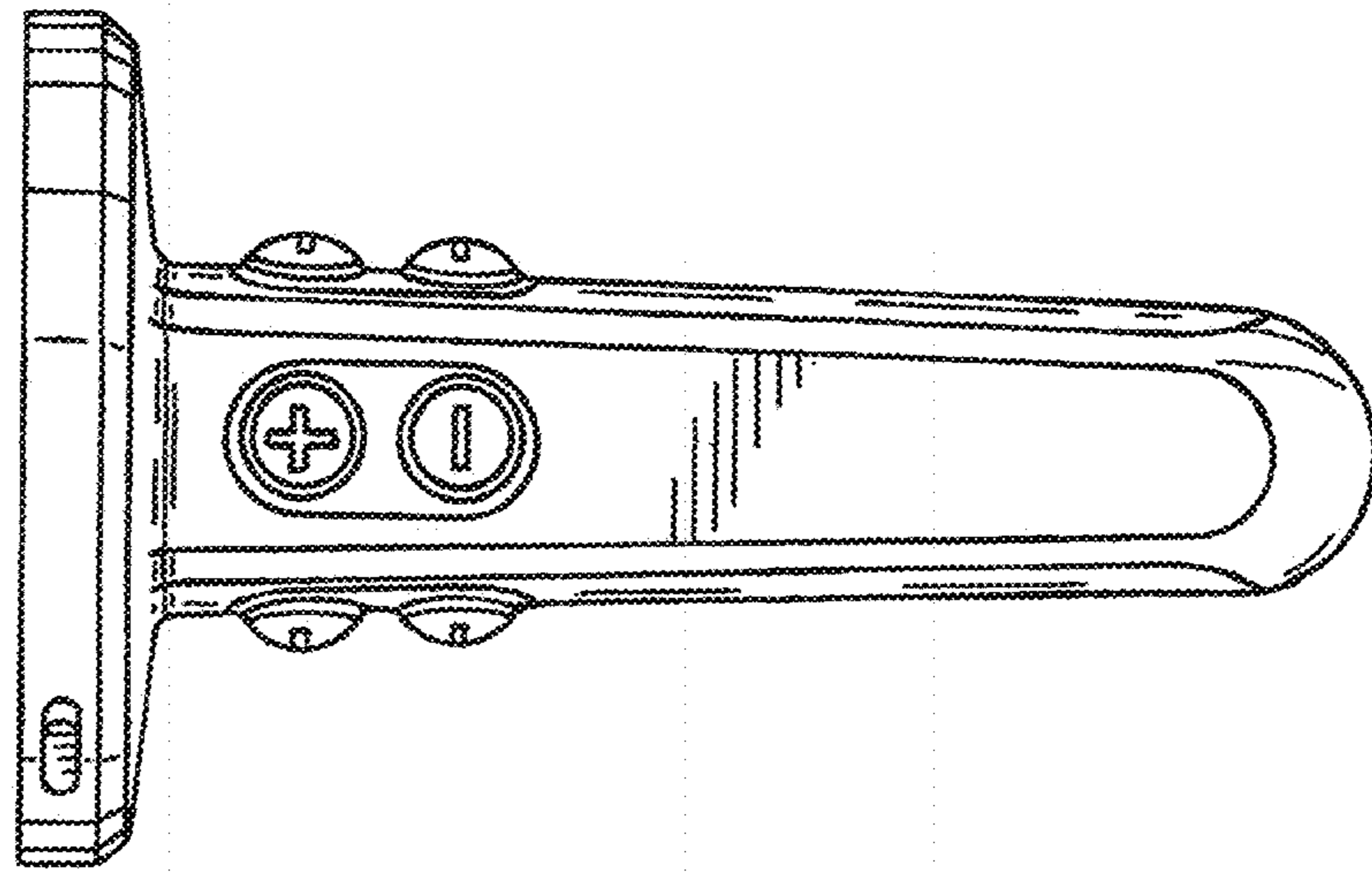


FIG. 21

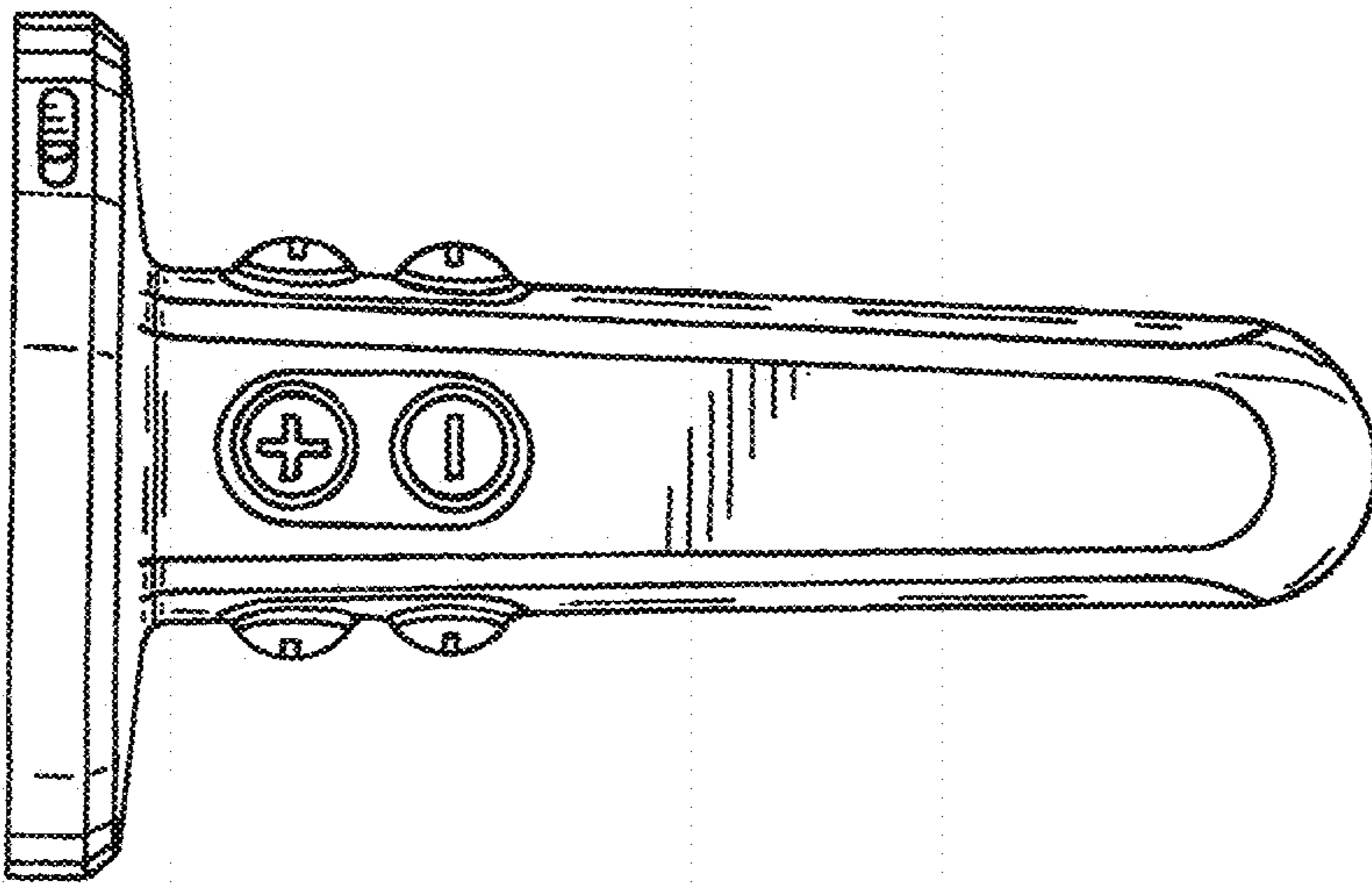


FIG. 19

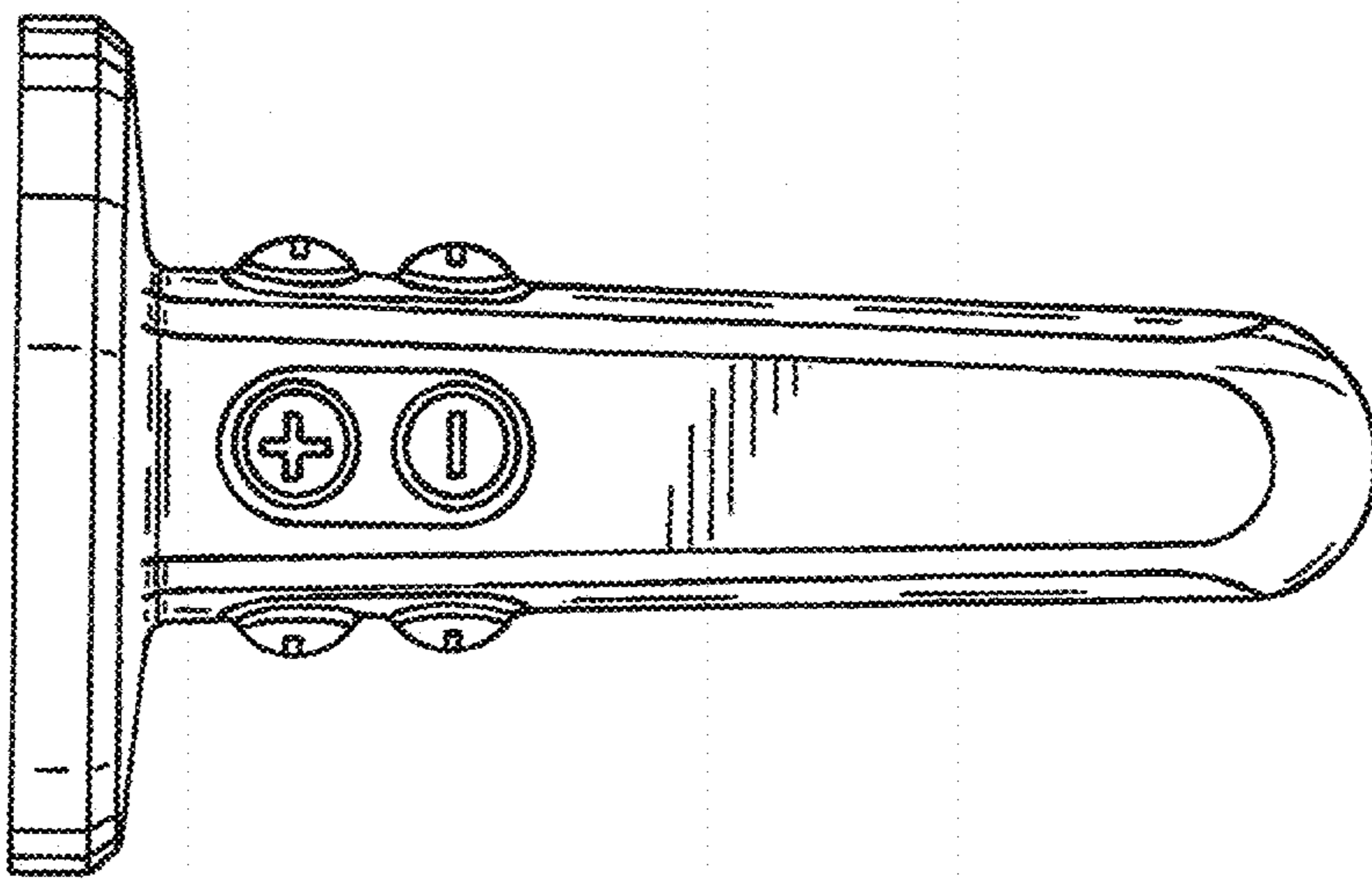


FIG. 20

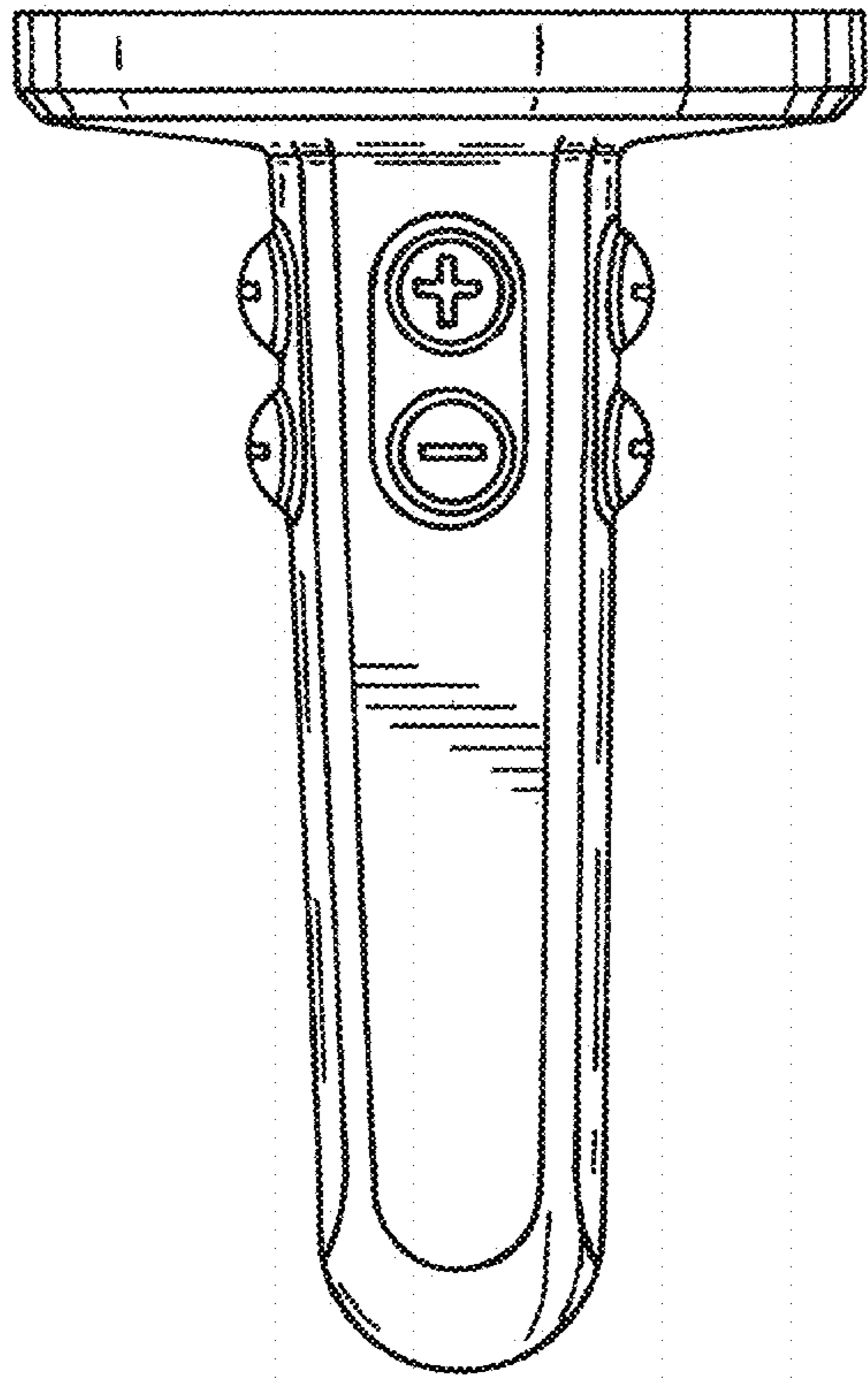


FIG. 22

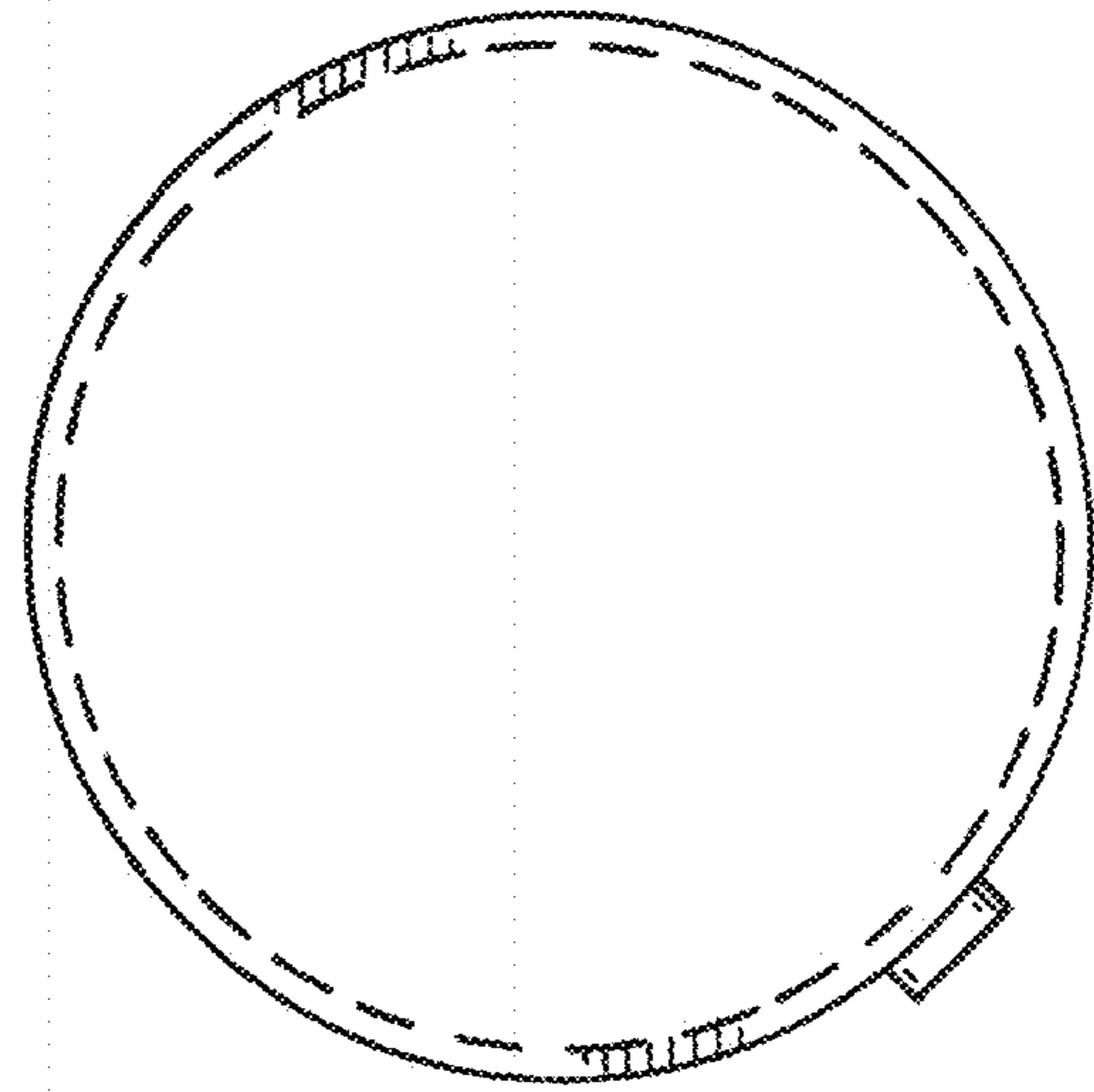


FIG. 23

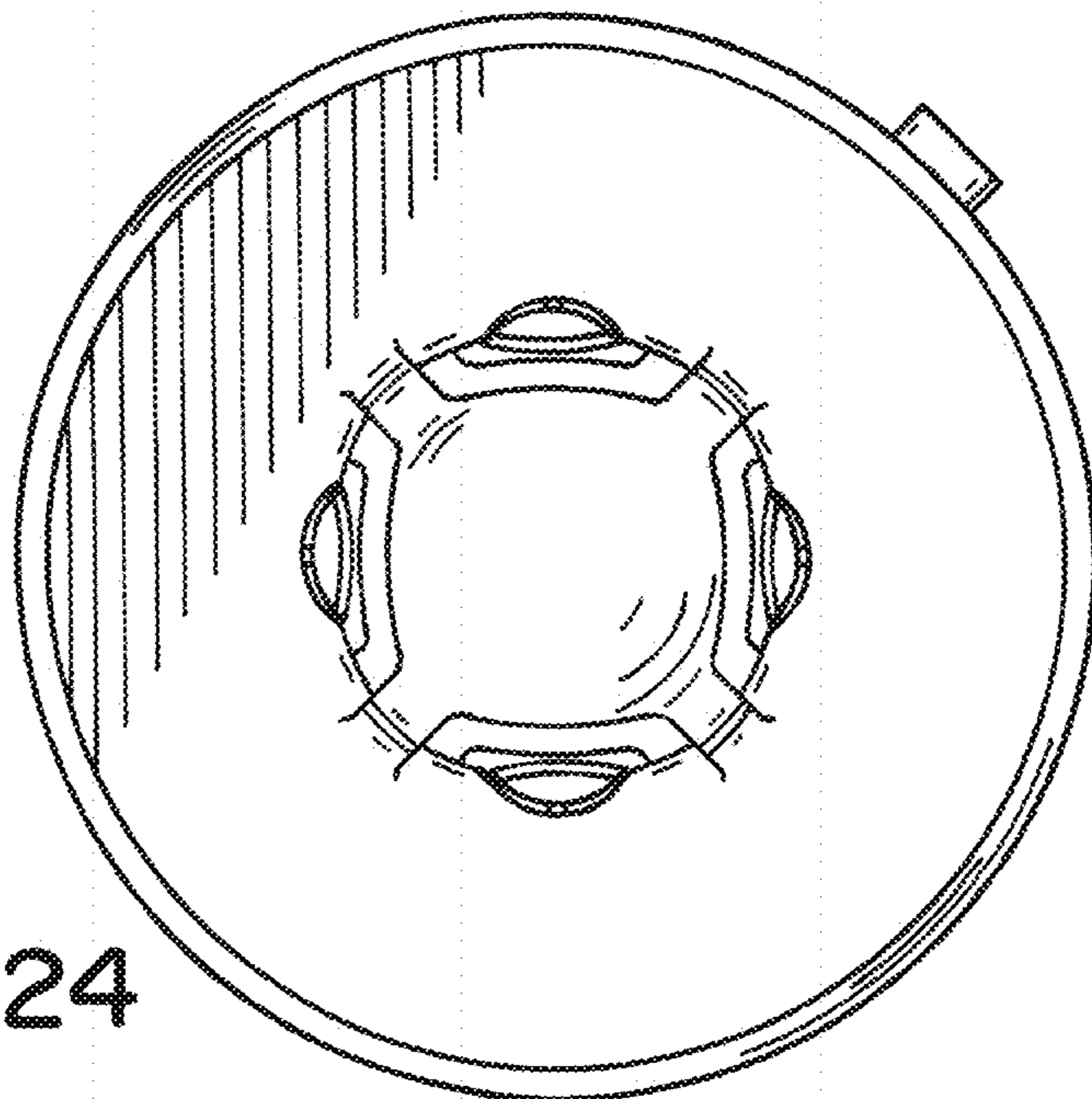


FIG. 24