



US00D894467S

(12) **United States Design Patent**  
**Xu**

(10) **Patent No.:** **US D894,467 S**

(45) **Date of Patent:** **\*\* Aug. 25, 2020**

(54) **LAMP**

(71) Applicant: **Jiangying Xu**, Shenzhen (CN)

(72) Inventor: **Jiangying Xu**, Shenzhen (CN)

(\*\*) Term: **15 Years**

(21) Appl. No.: **29/733,688**

(22) Filed: **May 6, 2020**

(51) **LOC (12) Cl.** ..... **26-03**

(52) **U.S. Cl.**  
USPC ..... **D26/88**

(58) **Field of Classification Search**  
USPC ..... D26/72, 80-89  
See application file for complete search history.

(56) **References Cited**

**U.S. PATENT DOCUMENTS**

D252,531 S *	7/1979	Glassman	.....	D26/80
D558,389 S	12/2007	Chandler		
D713,089 S *	9/2014	Orozco	.....	D26/85
D785,223 S *	4/2017	Patton	.....	D26/67
D816,894 S *	5/2018	Amato	.....	D26/144
D831,876 S *	10/2018	Moon	.....	D26/87
D837,436 S *	1/2019	Orozco	.....	D26/85
D871,646 S *	12/2019	Gratton	.....	D26/86
D887,067 S *	6/2020	Dulley	.....	D26/87
D887,619 S *	6/2020	Chen	.....	D26/88
2018/0209594 A1	7/2018	Parisi		
2019/0203890 A1	7/2019	Moore et al.		

**OTHER PUBLICATIONS**

Emliviar Modern Glass Pendant Light available at amazon.com Mar. 29, 2018. (Year: 2018).\*

Vinluz Single Modern Glass Pendant Light available at amazon.com Jun. 9, 2019. (Year: 2019).\*

\* cited by examiner

*Primary Examiner* — Clare E Heflin

(57) **CLAIM**

The ornamental design for a lamp, as shown and described.

**DESCRIPTION**

FIG. 1 is a perspective view of a lamp showing my new design;

FIG. 2 is another perspective view thereof;

FIG. 3 is a front elevational view thereof;

FIG. 4 is a rear elevational view thereof;

FIG. 5 is a left side elevational view thereof;

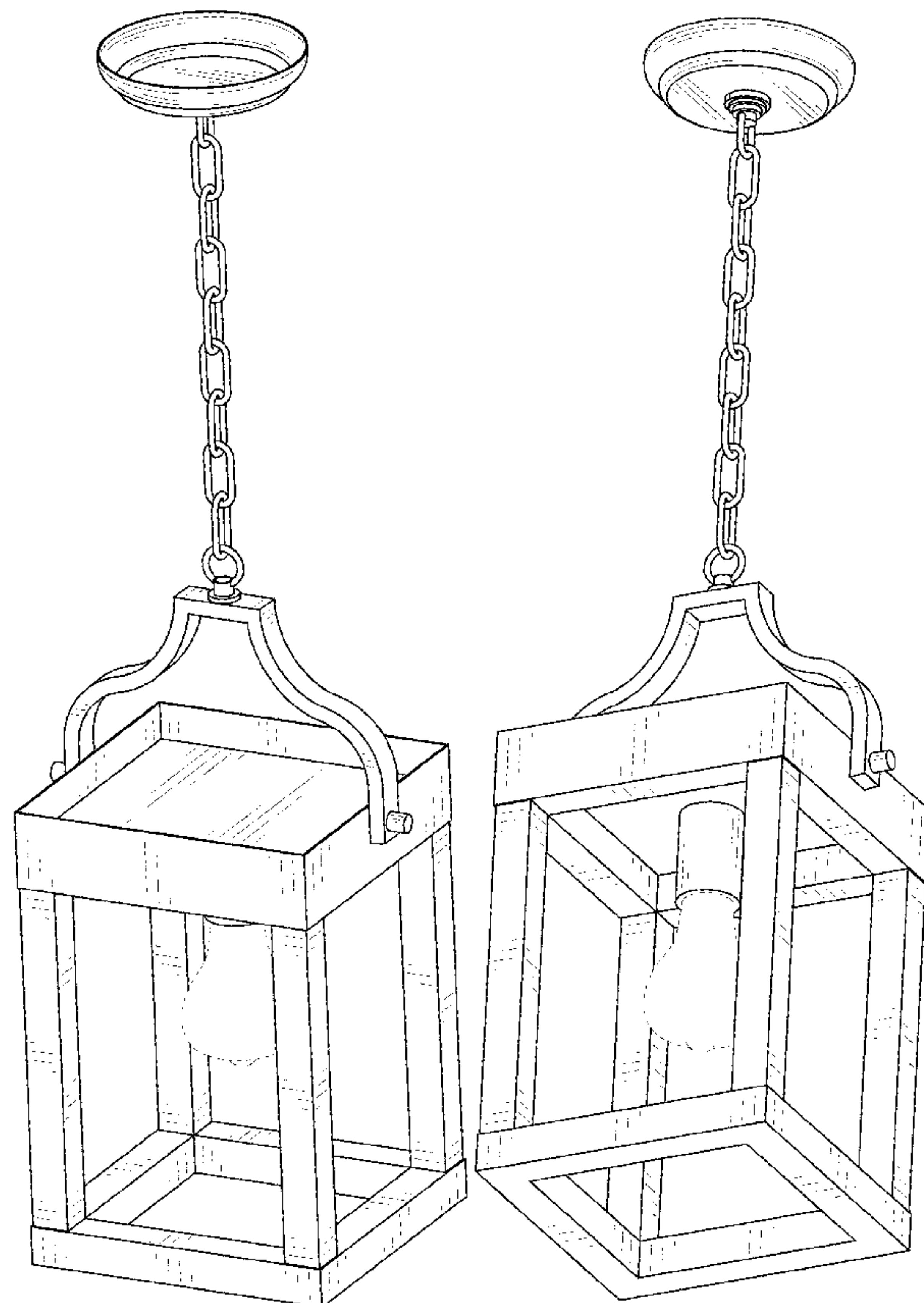
FIG. 6 is a right side elevational view thereof;

FIG. 7 is a top plan view thereof; and,

FIG. 8 is a bottom plan view thereof.

The broken lines in the drawings depict portions of the lamp that form no part of the claimed design.

**1 Claim, 8 Drawing Sheets**



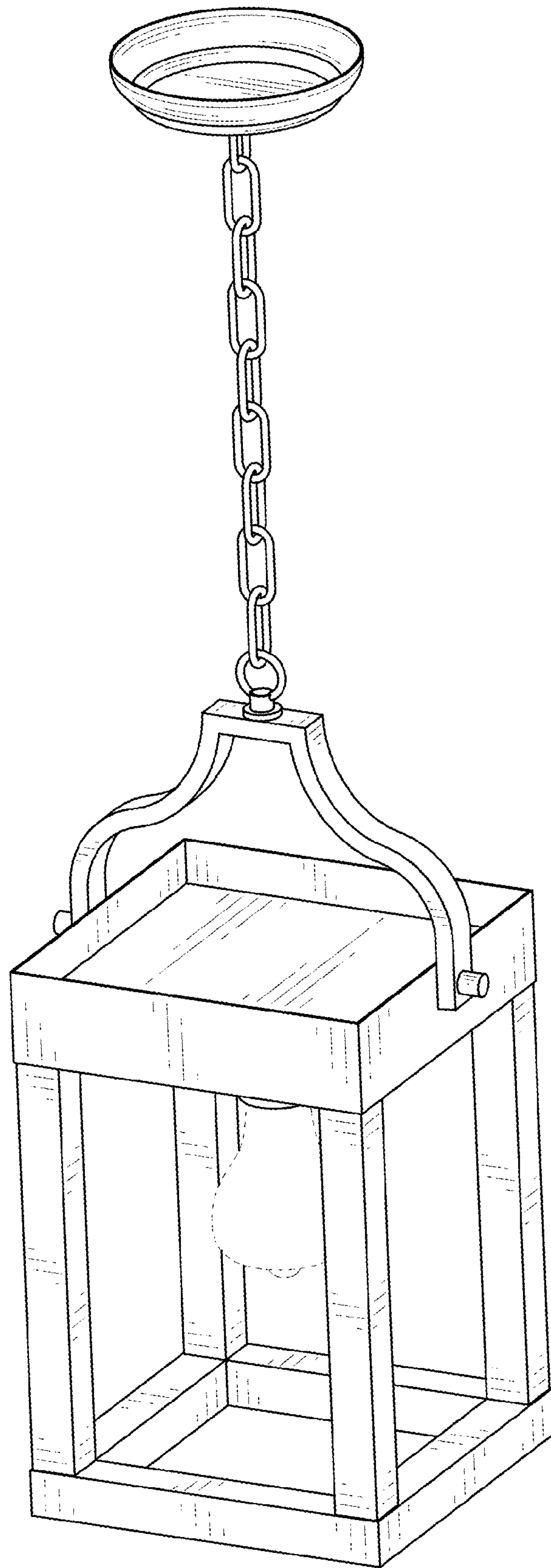


FIG. 1

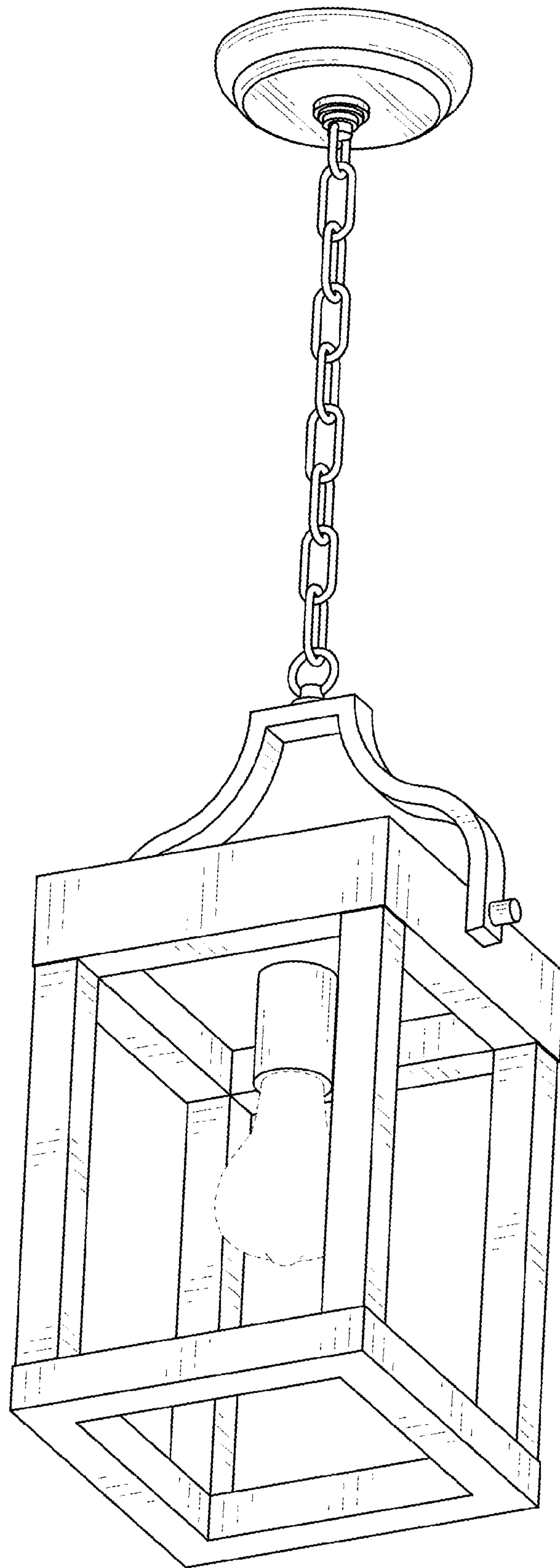


FIG. 2

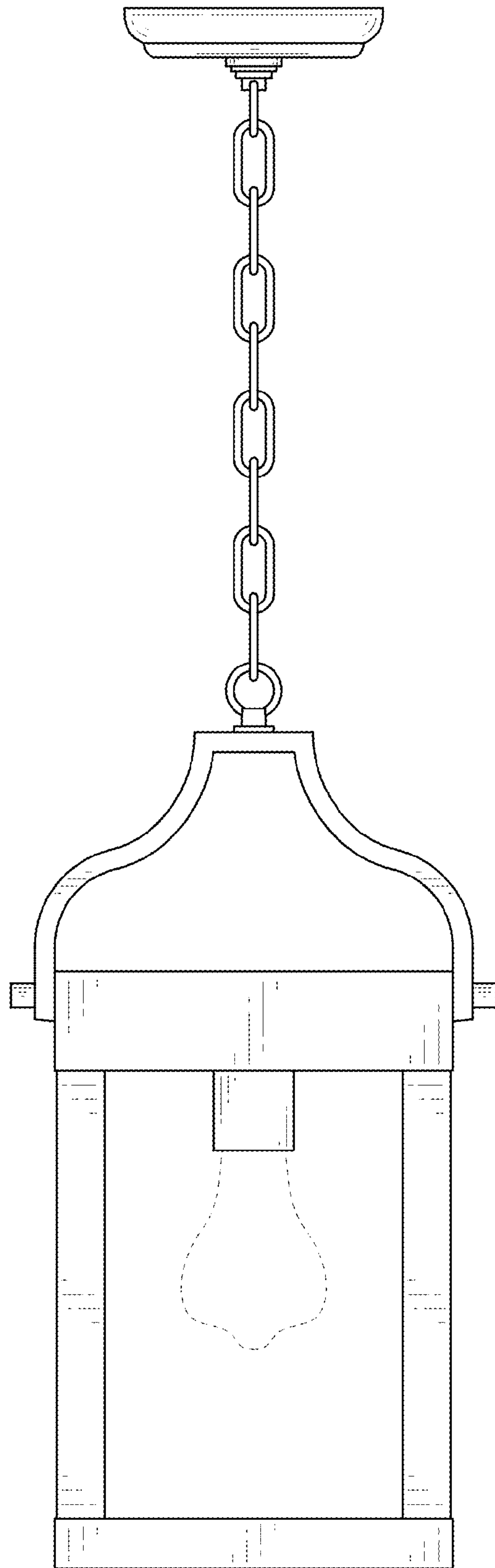


FIG. 3

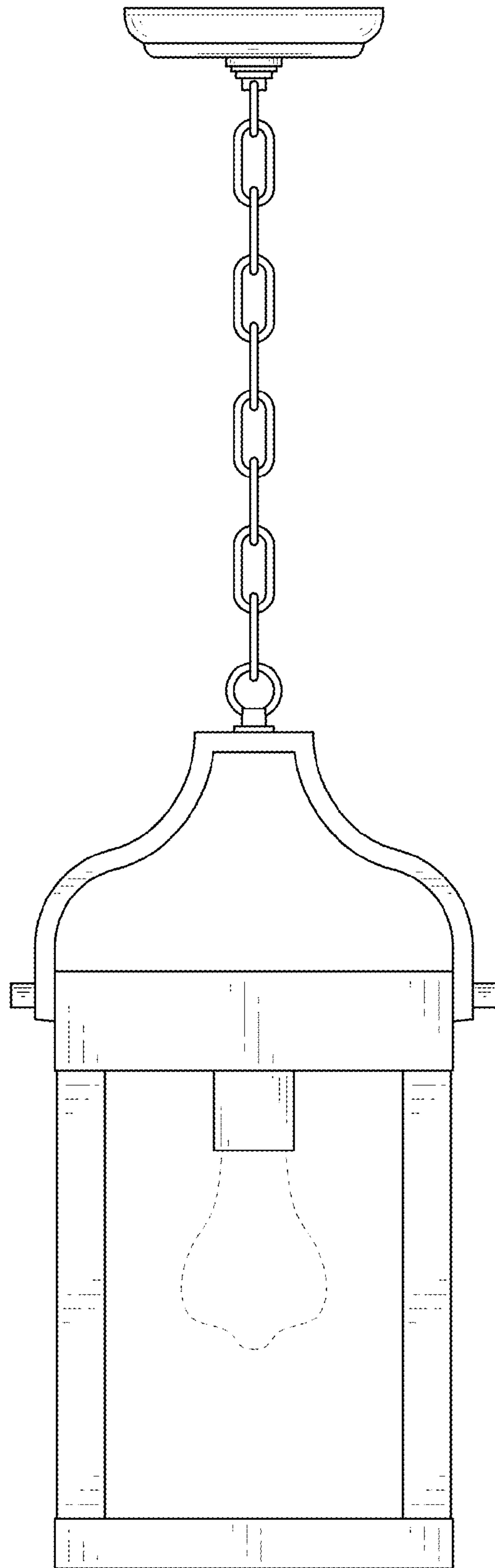


FIG. 4

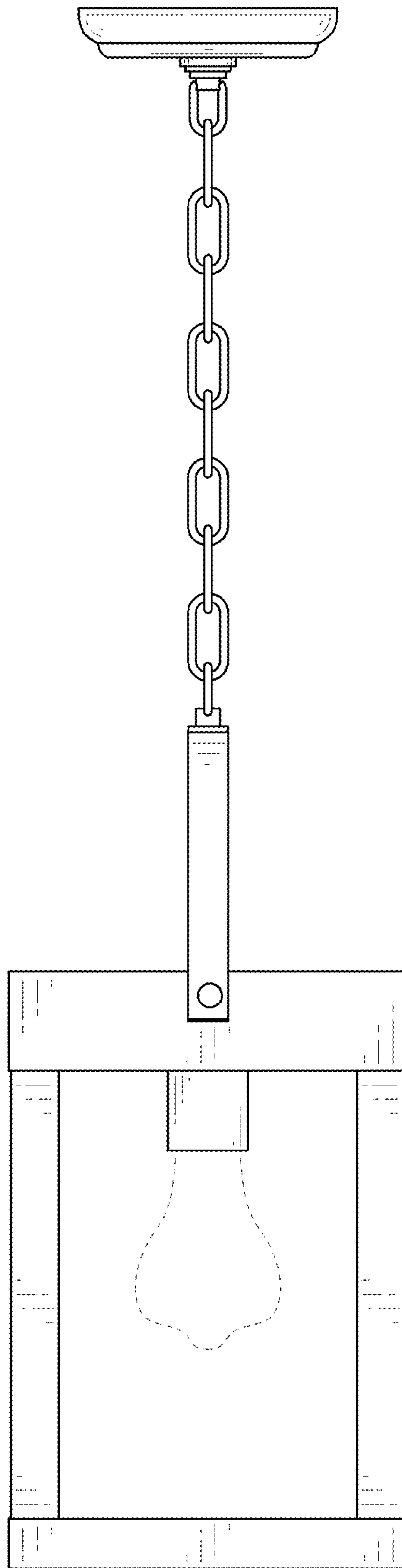


FIG. 5

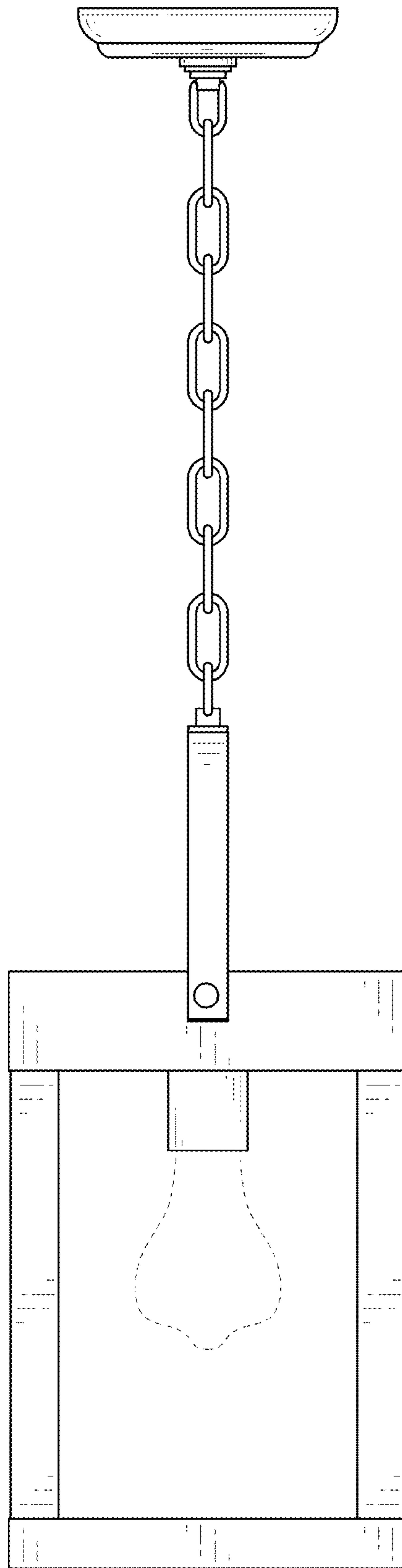


FIG. 6



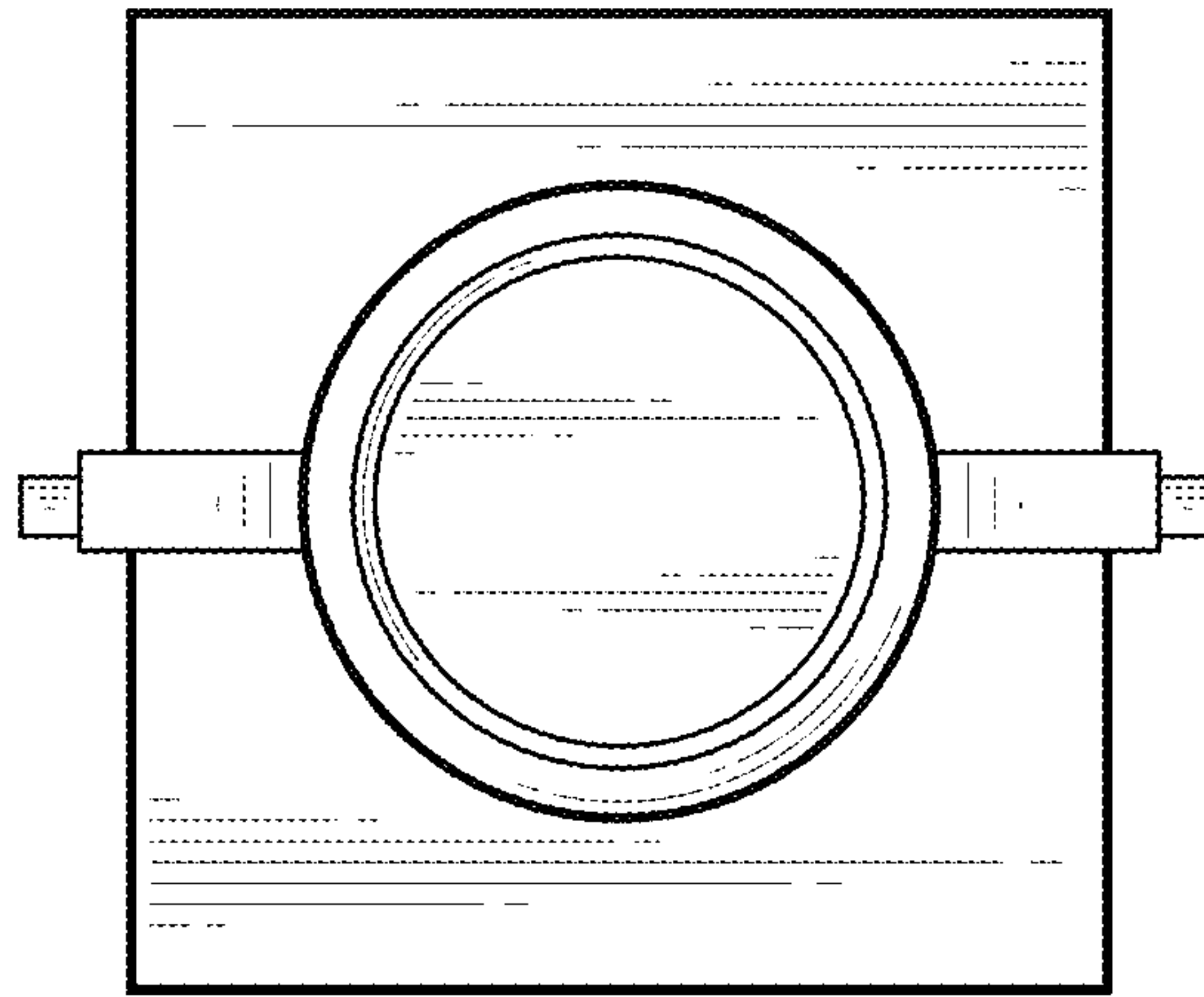


FIG. 7



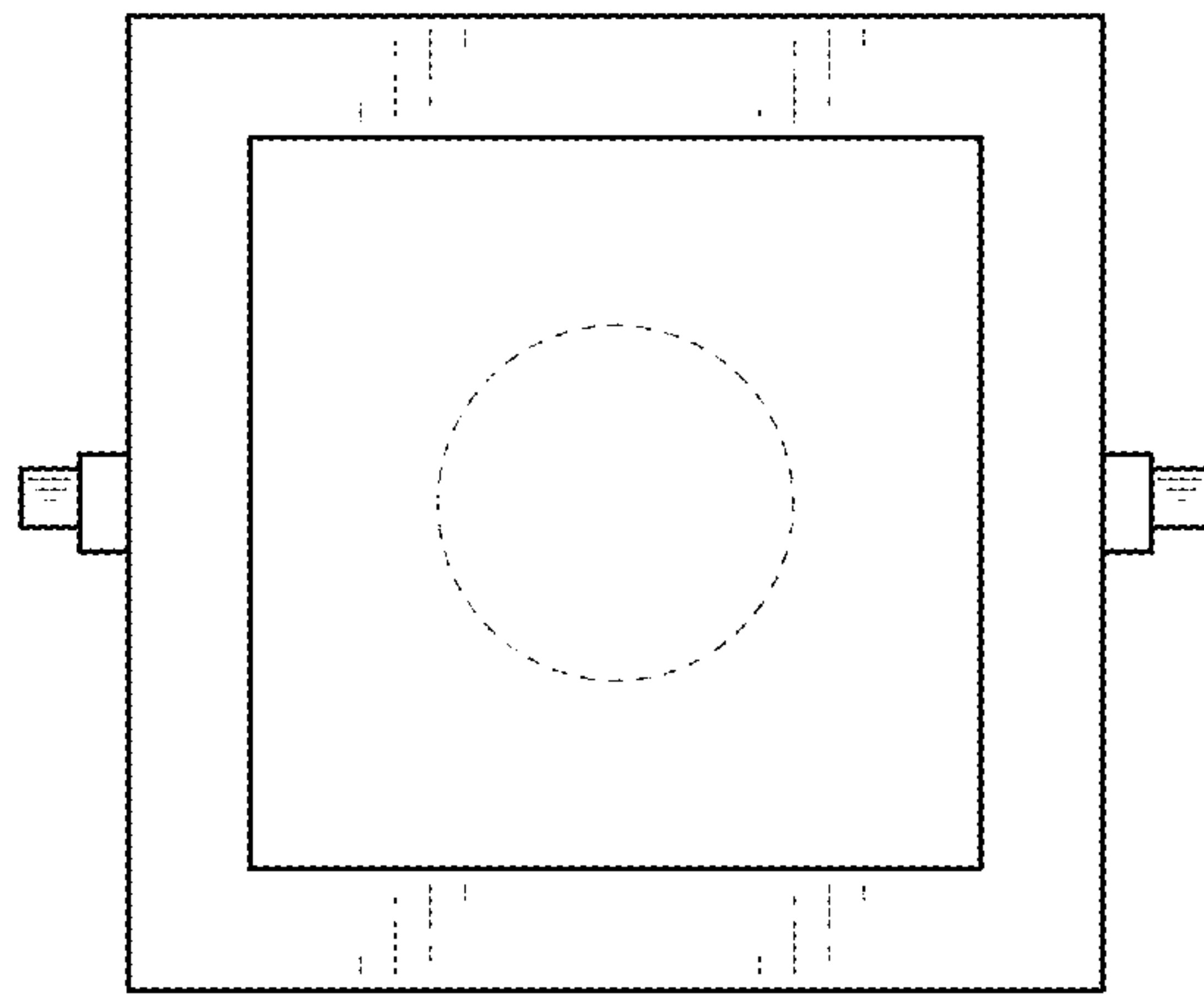


FIG. 8