



US00D894466S

(12) **United States Design Patent** (10) **Patent No.:** **US D894,466 S**
Hu et al. (45) **Date of Patent:** **** Aug. 25, 2020**

(54) **ANGULAR WALLPACK LIGHT FIXTURE**
(71) Applicant: **RAB Lighting Inc.**, Northvale, NJ (US)
(72) Inventors: **Jiang Hu**, Ningbo (CN); **Zhangyong Ying**, Ningbo (CN)

2014/0177228 A1* 6/2014 Ellingson F21S 8/033
362/294
2015/0167936 A1* 6/2015 Yong F21V 29/70
362/190
2017/0370556 A1* 12/2017 Zheng F21V 31/00

(73) Assignee: **RAB Lighting Inc.**, Northvale, NJ (US)
(**) Term: **15 Years**

FOREIGN PATENT DOCUMENTS
CN RGN-305718290 * 4/2020

(21) Appl. No.: **29/689,110**
(22) Filed: **Apr. 26, 2019**
(51) **LOC (12) Cl.** **26-05**
(52) **U.S. Cl.**
USPC **D26/72**
(58) **Field of Classification Search**
USPC D10/106.6, 106.8; D26/51, 60, 72, 78,
D26/80, 81, 82, 85, 86, 88
CPC F21S 8/03; F21S 8/003; F21S 8/036; F21S
8/037; F21S 9/022; F21S 9/024; F21S
9/03; F21S 9/037; F21S 13/02; F21S
13/10; F21S 13/14; F21W 2131/107;
G08B 13/193
See application file for complete search history.

OTHER PUBLICATIONS
W34 RAB Lighting (available online) Retrieved from the internet
May 19, 2020 from URL: <https://www.rablighting.com/feature/w34-led-wall-pack>.*

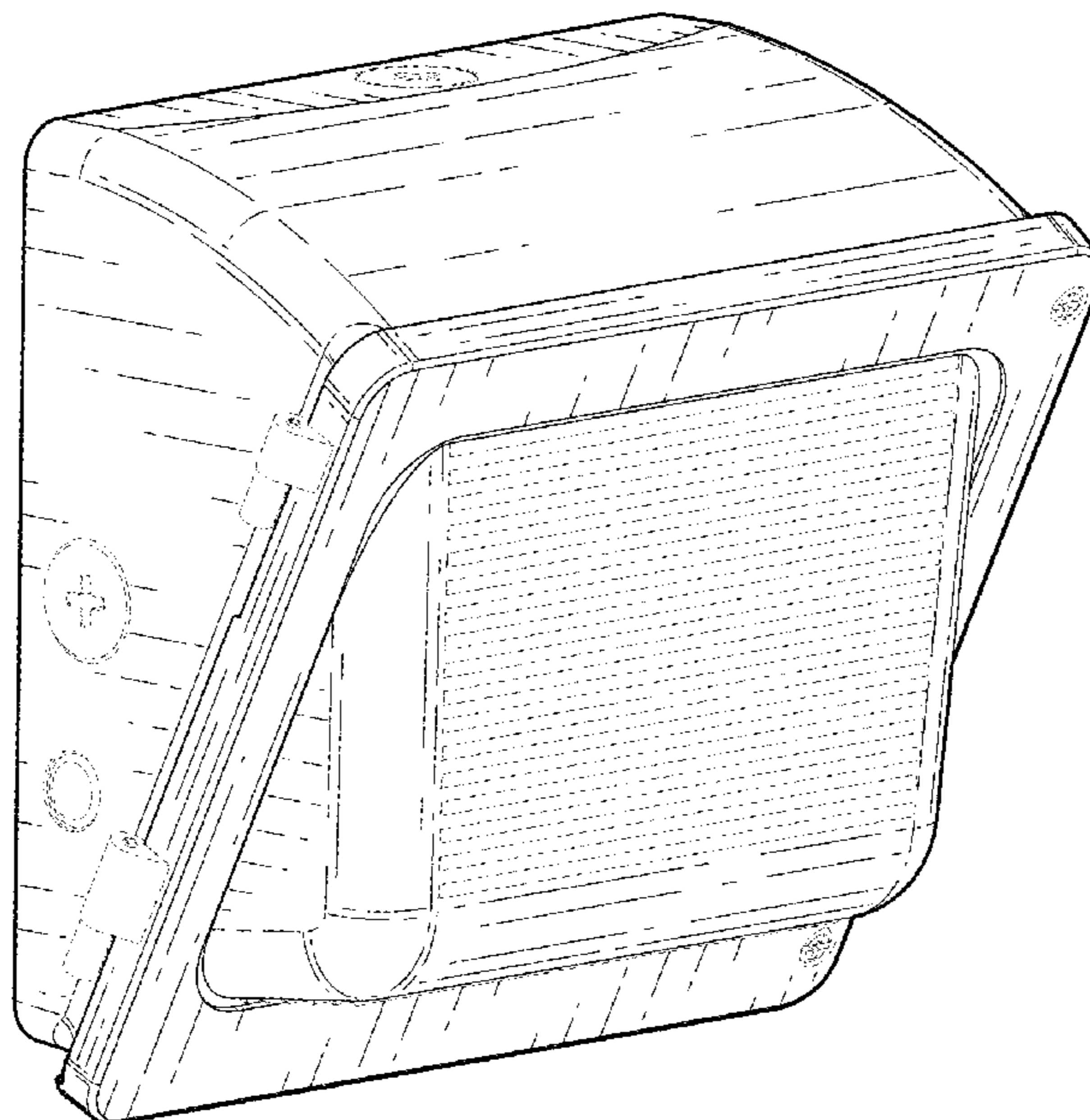
* cited by examiner
Primary Examiner — Kevin K Rudzinski
Assistant Examiner — Richard Kearney
(74) *Attorney, Agent, or Firm* — Frost Brown Todd LLC;
Dennis S. Schell; Kevin C. Oschman

(56) **References Cited**
U.S. PATENT DOCUMENTS
D110,164 S * 6/1938 Arenberg D26/24
D211,820 S * 7/1968 Pettengill D26/85
D272,193 S * 1/1984 Sangiamo D26/85
D324,111 S 2/1992 Arbisi
D336,964 S 6/1993 Janssen et al.
D380,572 S 7/1997 Bodell et al.
D440,683 S 4/2001 Guercio
D815,331 S * 4/2018 Yang D26/85
D833,055 S * 11/2018 Deng D26/85
D860,505 S * 9/2019 Liu D26/85
D864,459 S * 10/2019 Pan D26/85

(57) **CLAIM**
The ornamental design for an angular wallpack light fixture,
as shown and described.

DESCRIPTION
FIG. 1. is a front perspective view of an angular wallpack
light fixture showing our new design;
FIG. 2 is a rear perspective view thereof;
FIG. 3 is a front elevation view thereof;
FIG. 4 is a rear elevation view thereof;
FIG. 5 is a left-side elevation view thereof;
FIG. 6 is a right-side elevation view thereof;
FIG. 7 is a top plan view thereof; and,
FIG. 8 is a bottom plan view thereof.
The broken lines shown in the drawings illustrate portions of
the article and form no part of the claimed design.

1 Claim, 6 Drawing Sheets



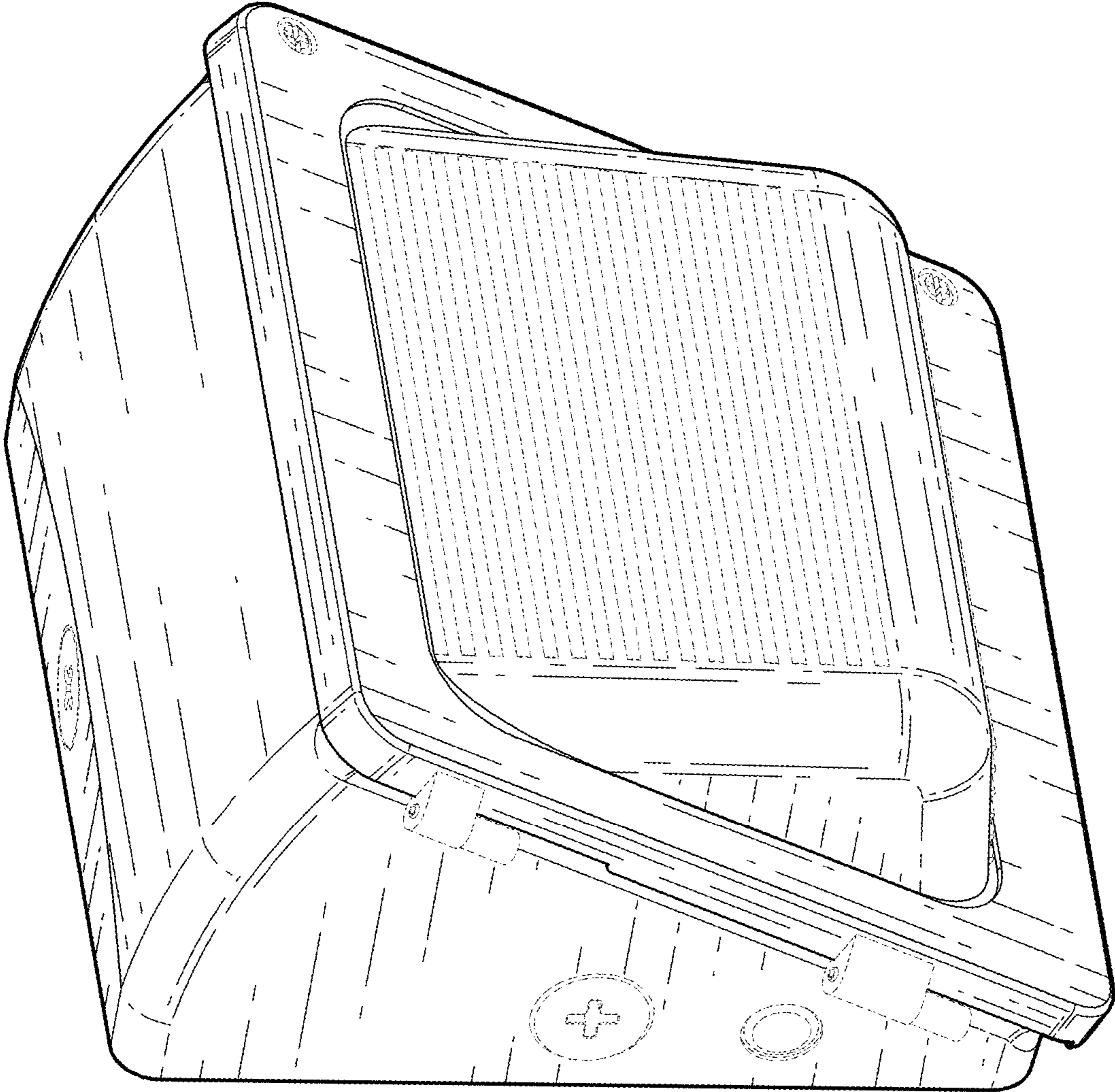


Fig. 1

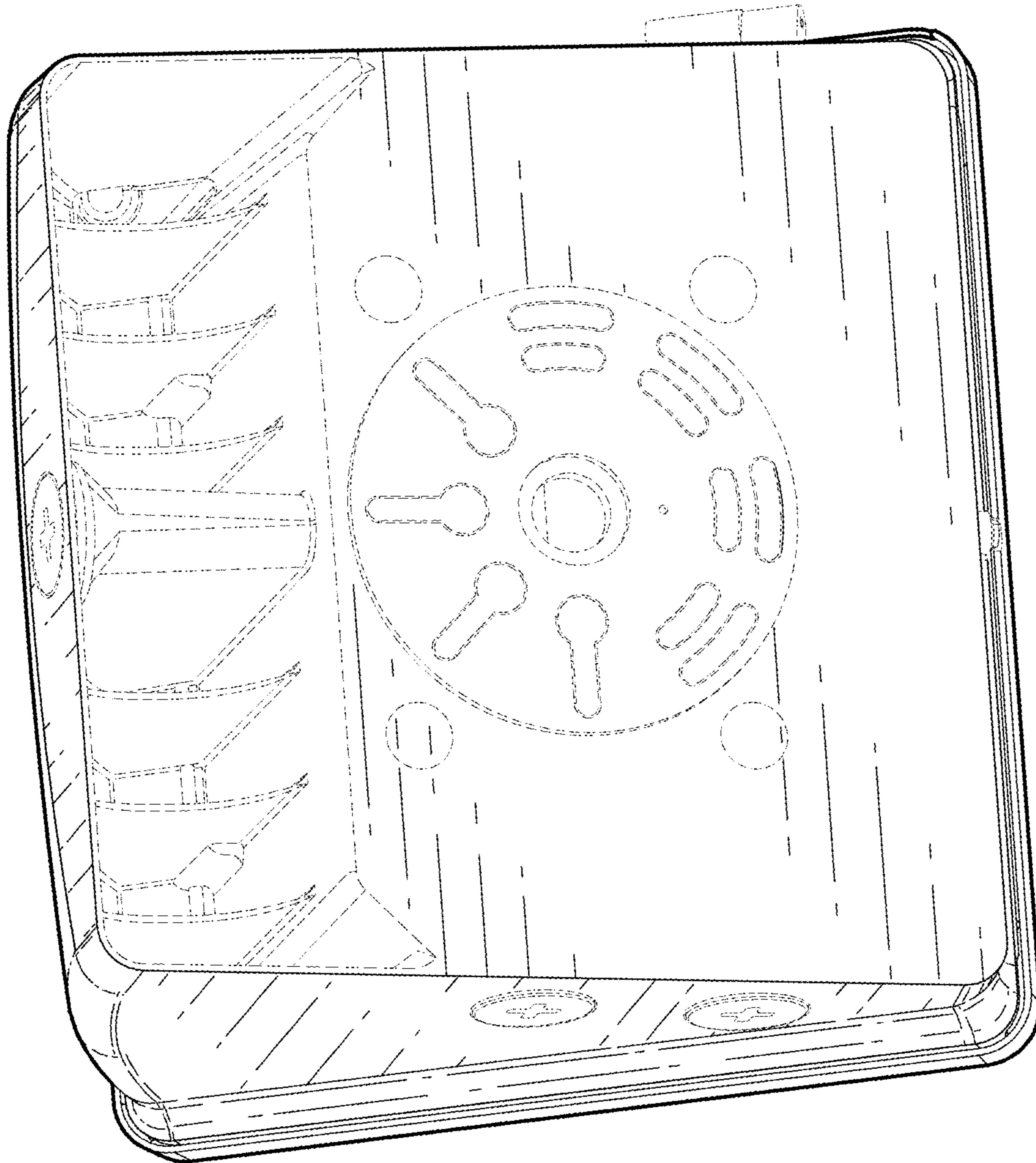


Fig. 2

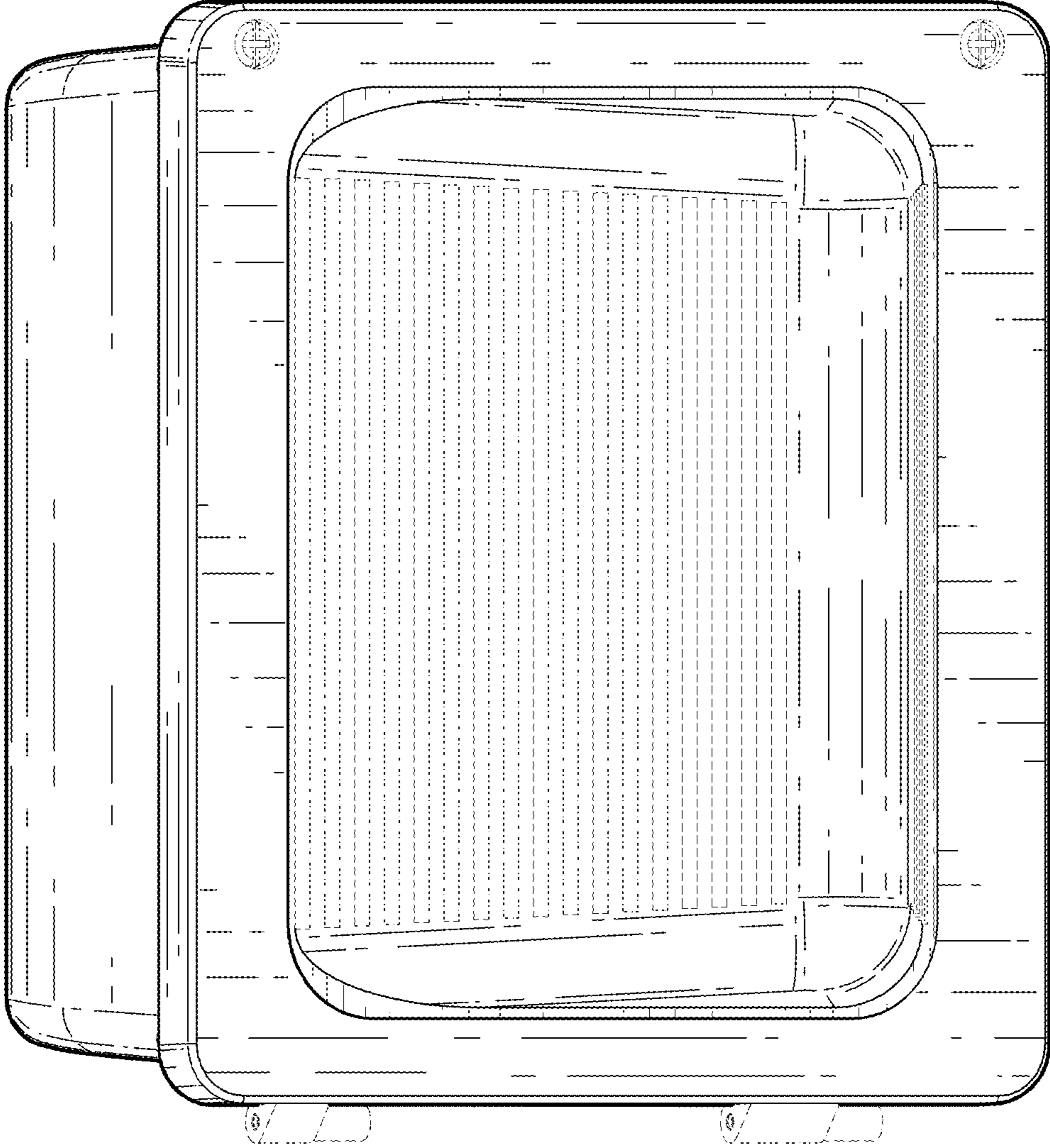


Fig. 3

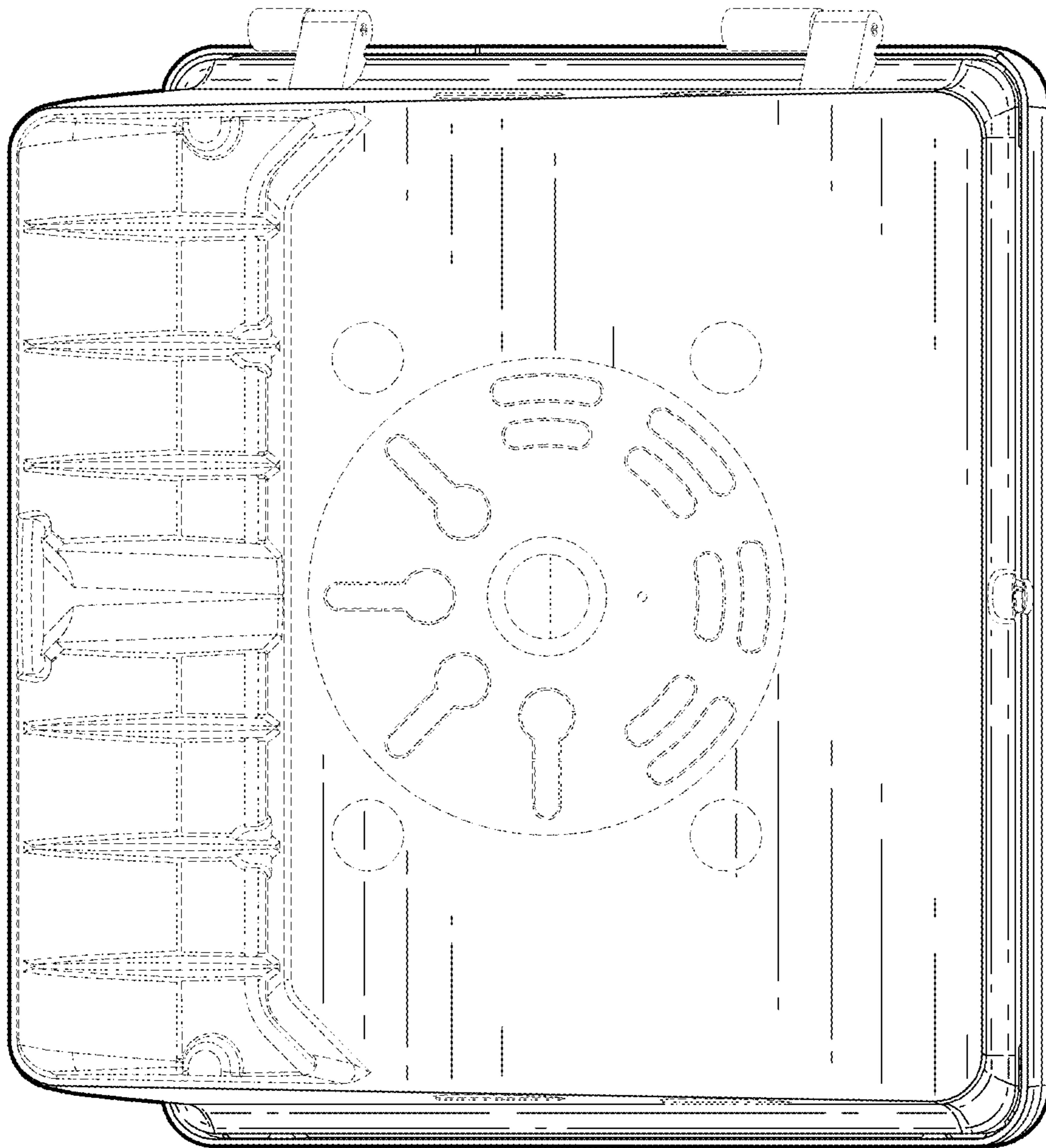


Fig. 4

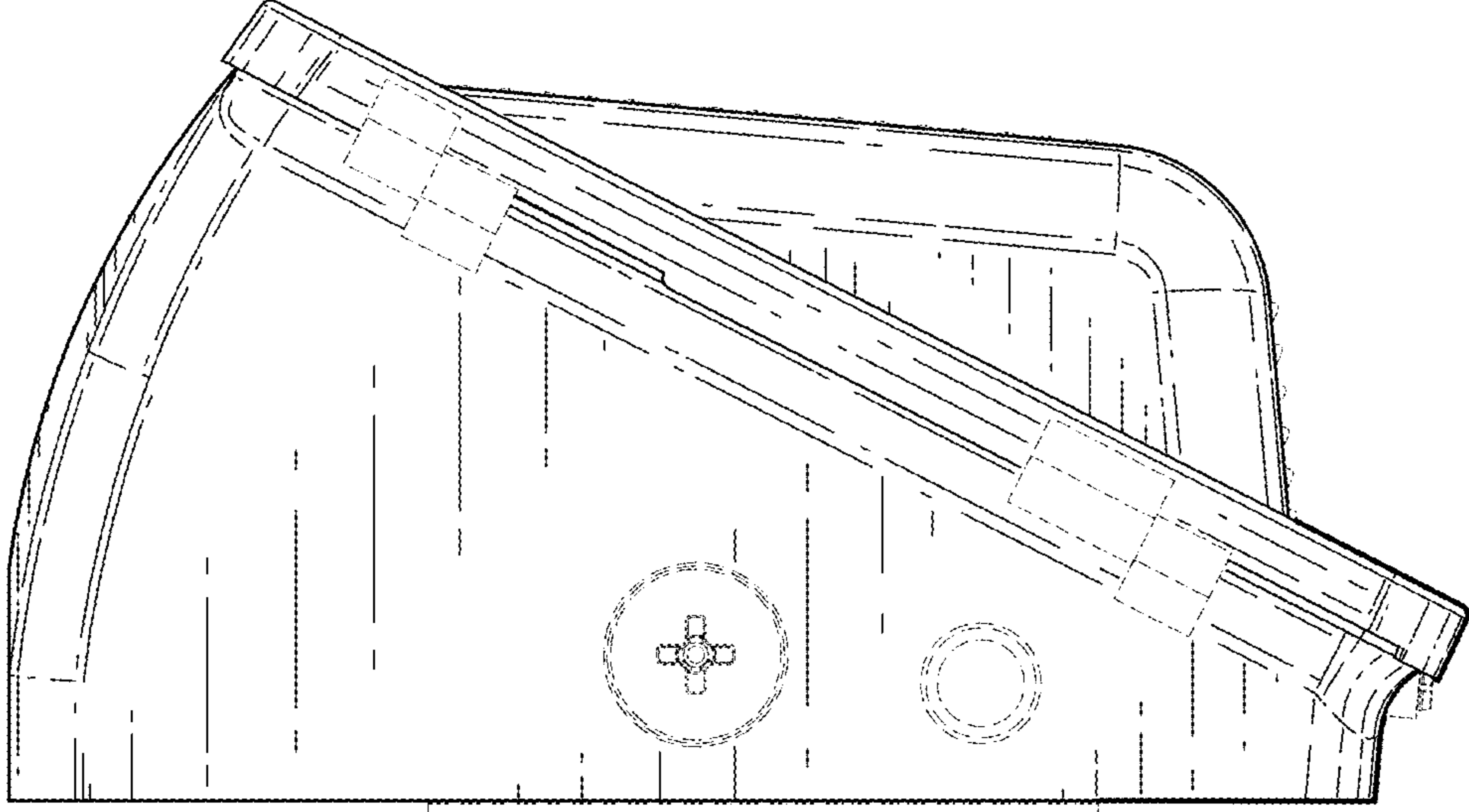


Fig. 6

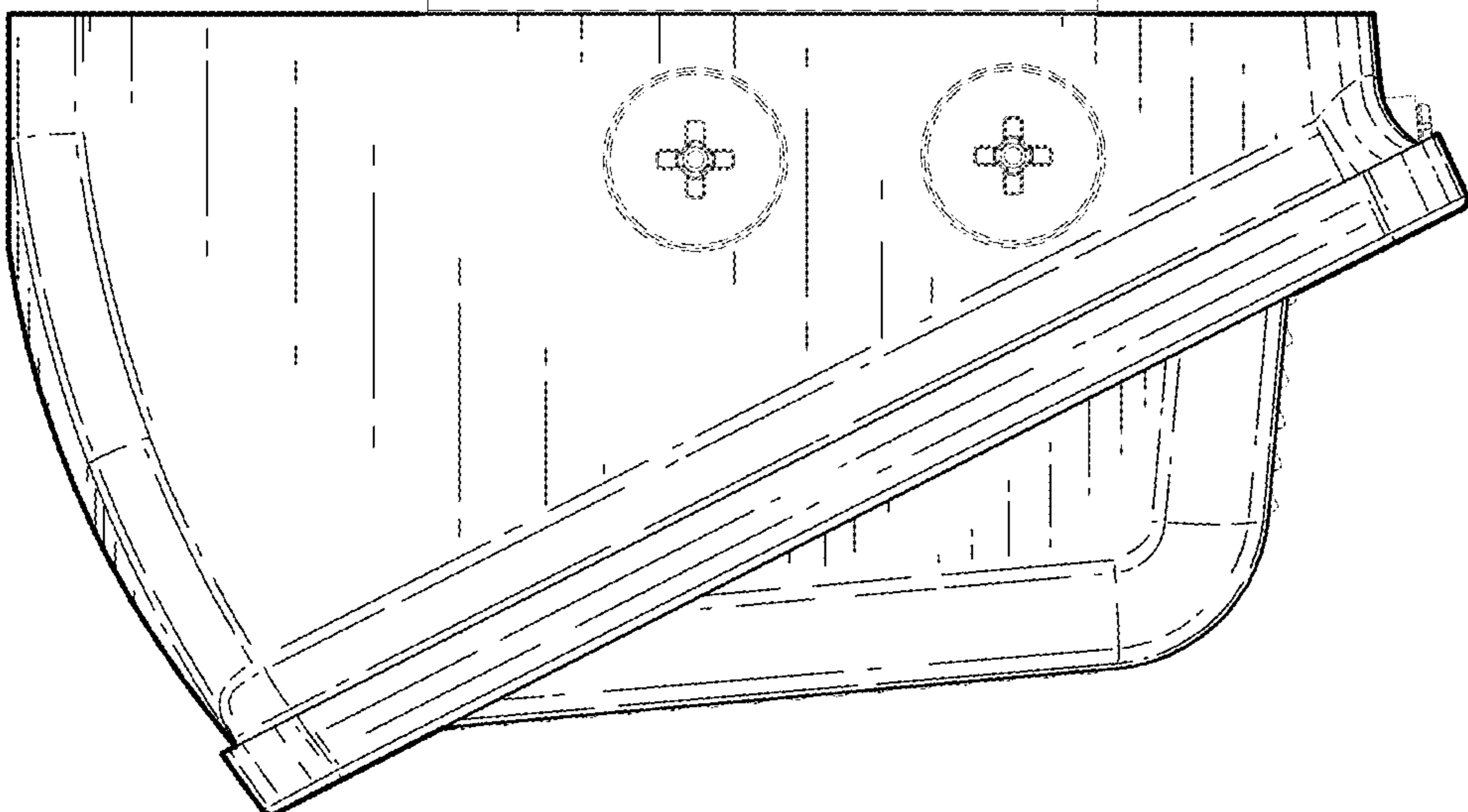


Fig. 5

Fig. 7

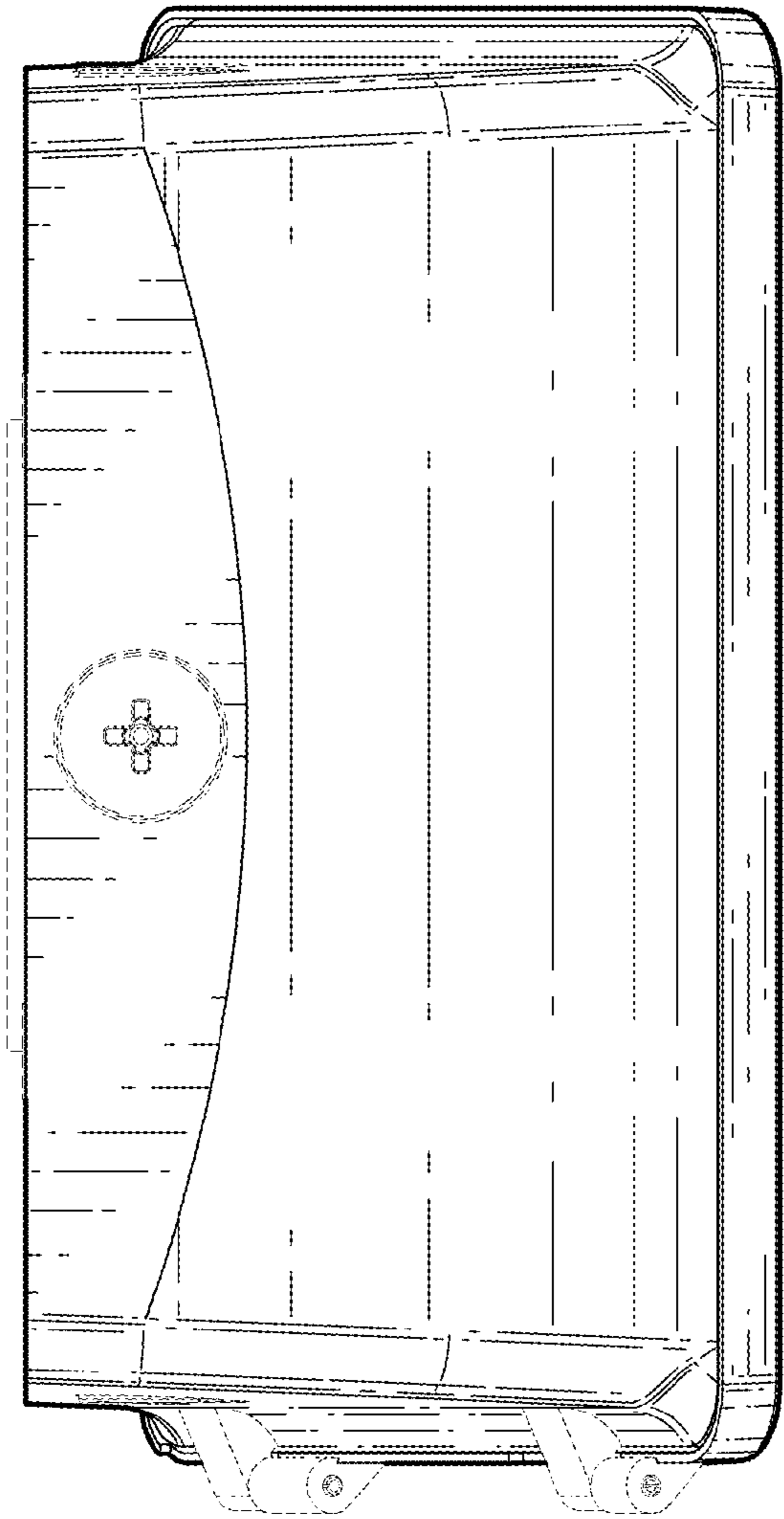


Fig. 8

