

US00D894465S

(12) **United States Design Patent** (10) **Patent No.:** **US D894,465 S**
Jiang (45) **Date of Patent:** **** Aug. 25, 2020**

(54) **SOLAR HARDWARE FLAME GROUND LAMP**

D882,143 S * 4/2020 Sooferian D26/67
D887,612 S * 6/2020 Hollinger D26/67
2018/0252371 A1* 9/2018 Chelf H05B 47/11

(71) Applicant: **Yingying Jiang**, Sichuan (CN)

(72) Inventor: **Yingying Jiang**, Sichuan (CN)

(**) Term: **15 Years**

(21) Appl. No.: **29/699,368**

(22) Filed: **Jul. 24, 2019**

(51) **LOC (12) Cl.** **26-05**

(52) **U.S. Cl.**
USPC **D26/68**

(58) **Field of Classification Search**
USPC D10/111-115; D20/17; D26/10, 11, 12,
D26/31, 51, 60, 61, 63-71, 92, 93
CPC .. F21S 8/003; F21S 8/006; F21S 8/081; F21S
8/083; F21S 9/03; F21S 9/032; F21S
9/035; F21S 9/037; F21S 10/005; G09F
2013/0495; G09F 2013/0404; G09F
2013/02

See application file for complete search history.

(56) **References Cited**

U.S. PATENT DOCUMENTS

- 4,240,783 A * 12/1980 Nevin A24F 15/08
431/126
- D542,431 S * 5/2007 Valentino D26/11
- D542,432 S * 5/2007 Valentino D26/11
- D556,932 S * 12/2007 Sooferian D26/68
- D639,992 S * 6/2011 Chen D26/68
- D716,989 S * 11/2014 Sooferian D26/68
- D814,092 S * 3/2018 Chen D26/67
- D830,295 S * 10/2018 Sooferian D13/102
- D851,315 S * 6/2019 Chen D26/67
- D875,291 S * 2/2020 Liu D26/67

OTHER PUBLICATIONS

LED Lighted Water Globe Reindeer Decoration (availalbe online)
Retrieved from the internet Jul. 1, 2020 from URL: <https://arett.com/item/C25%2B71725075/LED-Lighted-Water-Globe-Reindeer-Decoration-with-Timer/> 1.*

32" LED Candle on Pedestal With Deer Scene (availalbe online)
Retrieved from the internet Jul. 1, 2020 from URL: <https://www.pineridgeshop.com/products/32-led-candle-on-pedestal-w-deer-scene>.*

DenicMic Solar Wall Lights (availalbe online) Retrieved from the internet Jul. 1, 2020 from URL: <https://www.newegg.com/kanstar-58041bw-1/p/0M1-00BF-00008>.*

* cited by examiner

Primary Examiner — Kevin K Rudzinski

Assistant Examiner — Richard Kearney

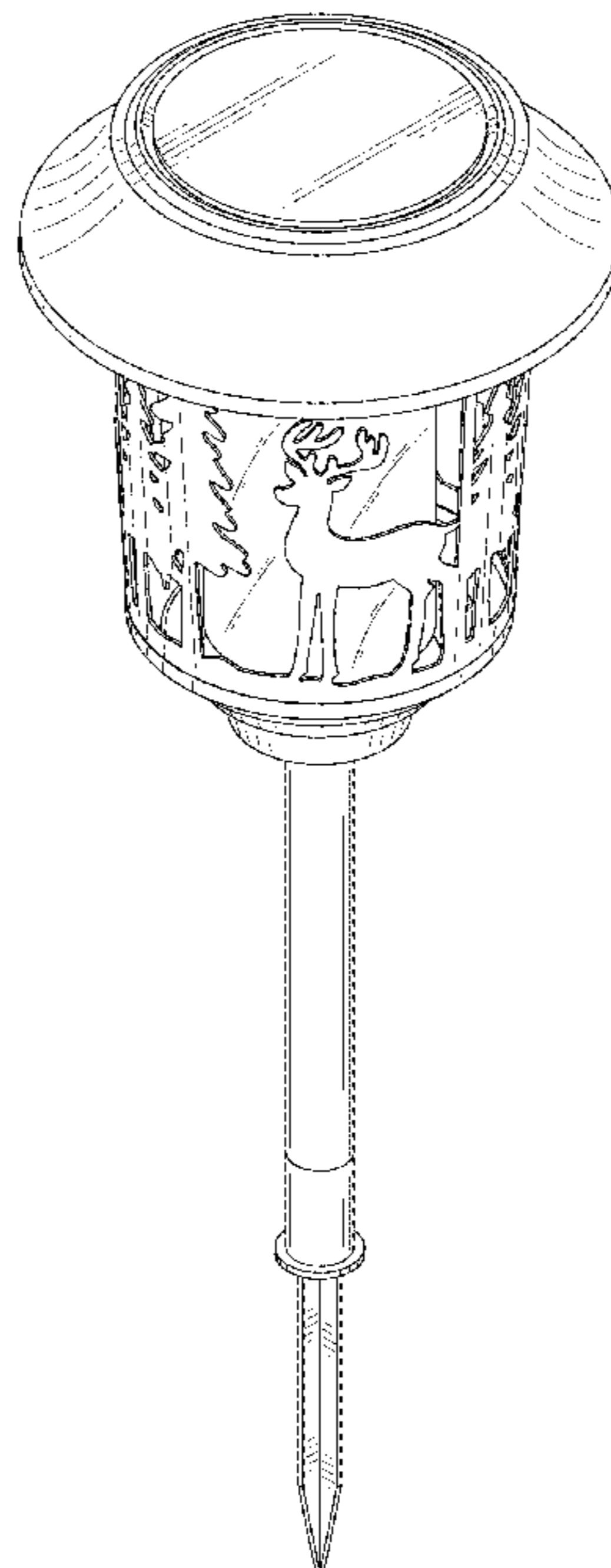
(57) **CLAIM**

The ornamental design for a solar hardware flame ground lamp, as shown and described.

DESCRIPTION

FIG. 1 is a top and front perspective view of a solar hardware flame ground lamp showing my new design;
FIG. 2 is a bottom and rear perspective view thereof;
FIG. 3 is a left side view thereof;
FIG. 4 is a front elevational view thereof;
FIG. 5 is a right side view thereof;
FIG. 6 is a rear elevational view thereof;
FIG. 7 is a top plan view thereof; and,
FIG. 8 is a bottom plan view thereof.

1 Claim, 8 Drawing Sheets



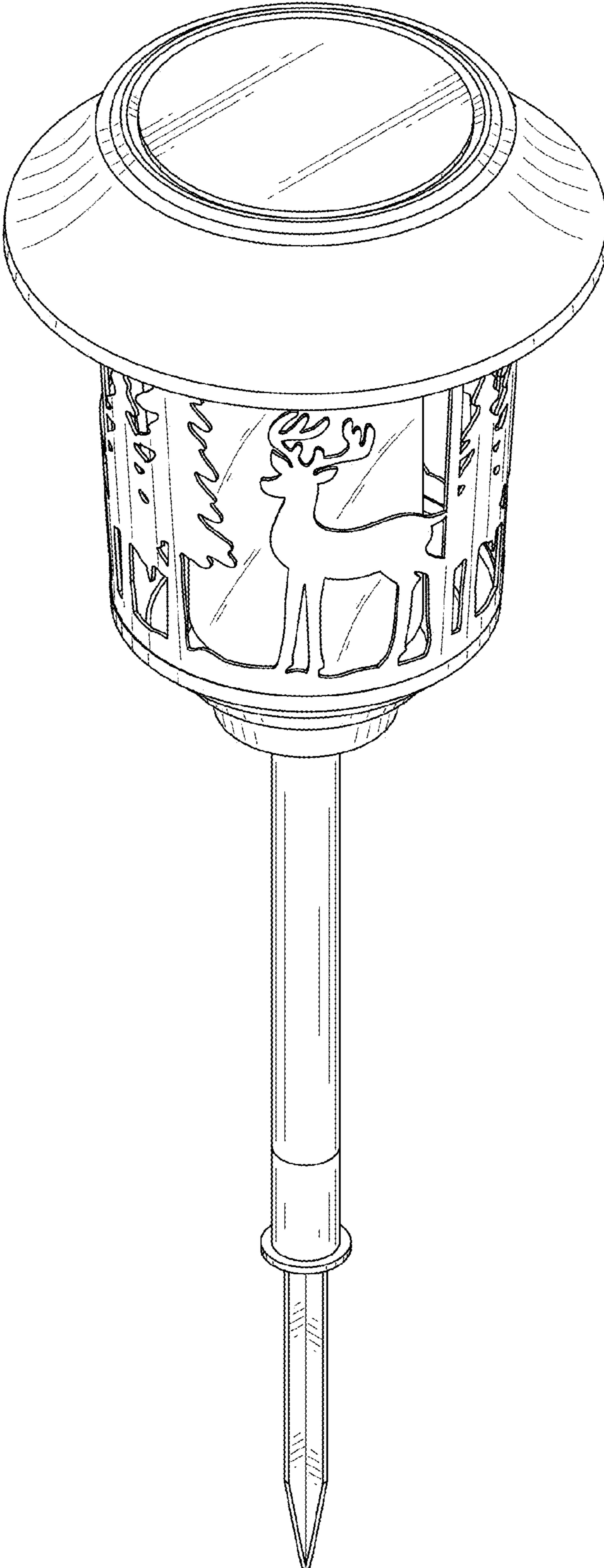


FIG. 1

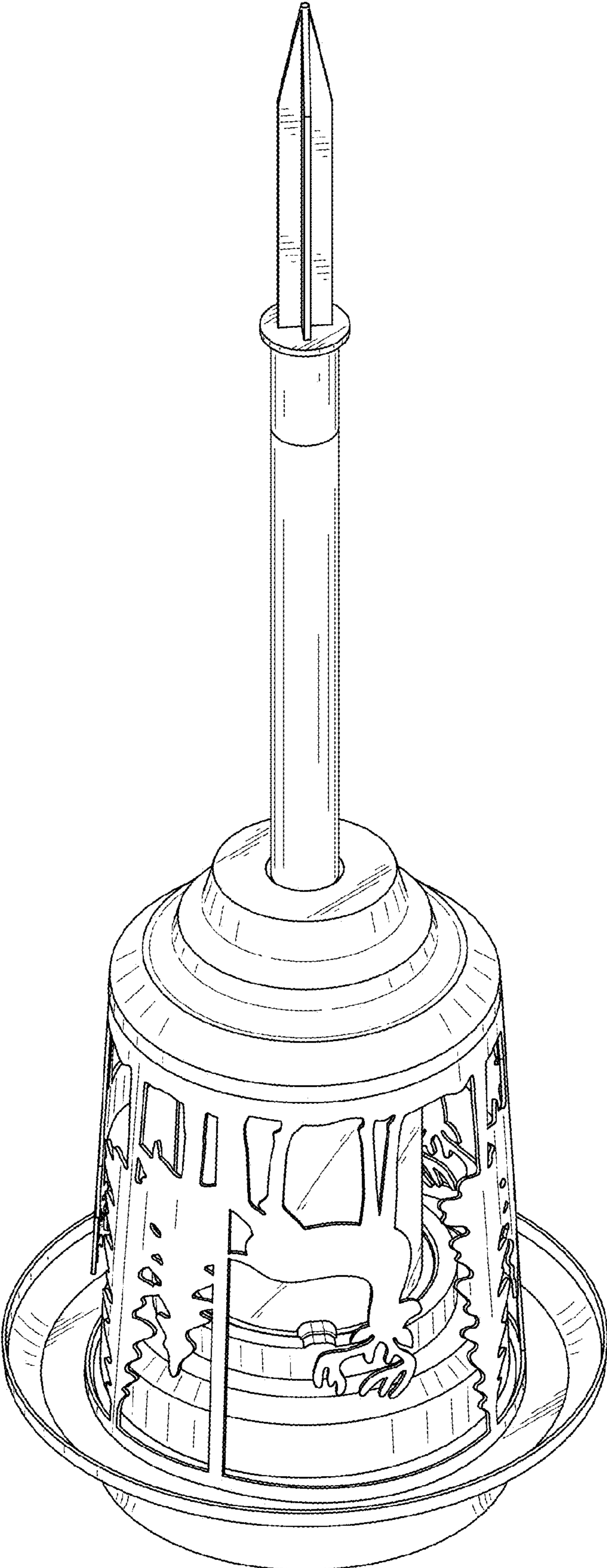


FIG. 2

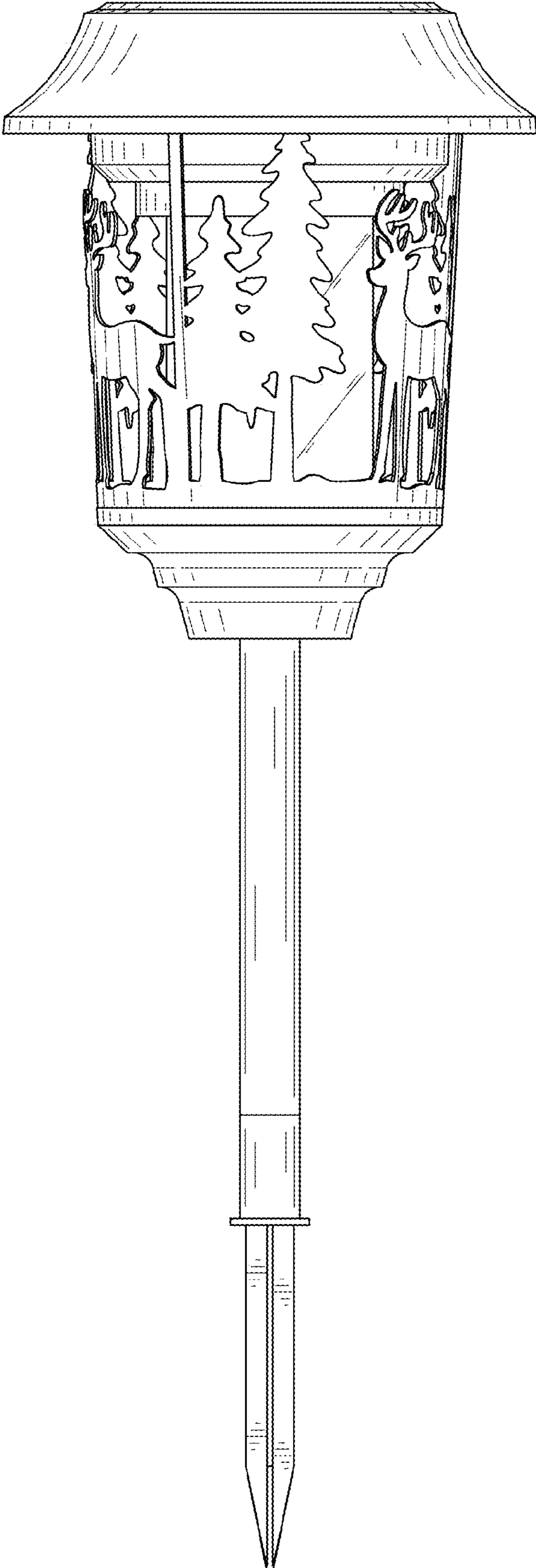


FIG. 3

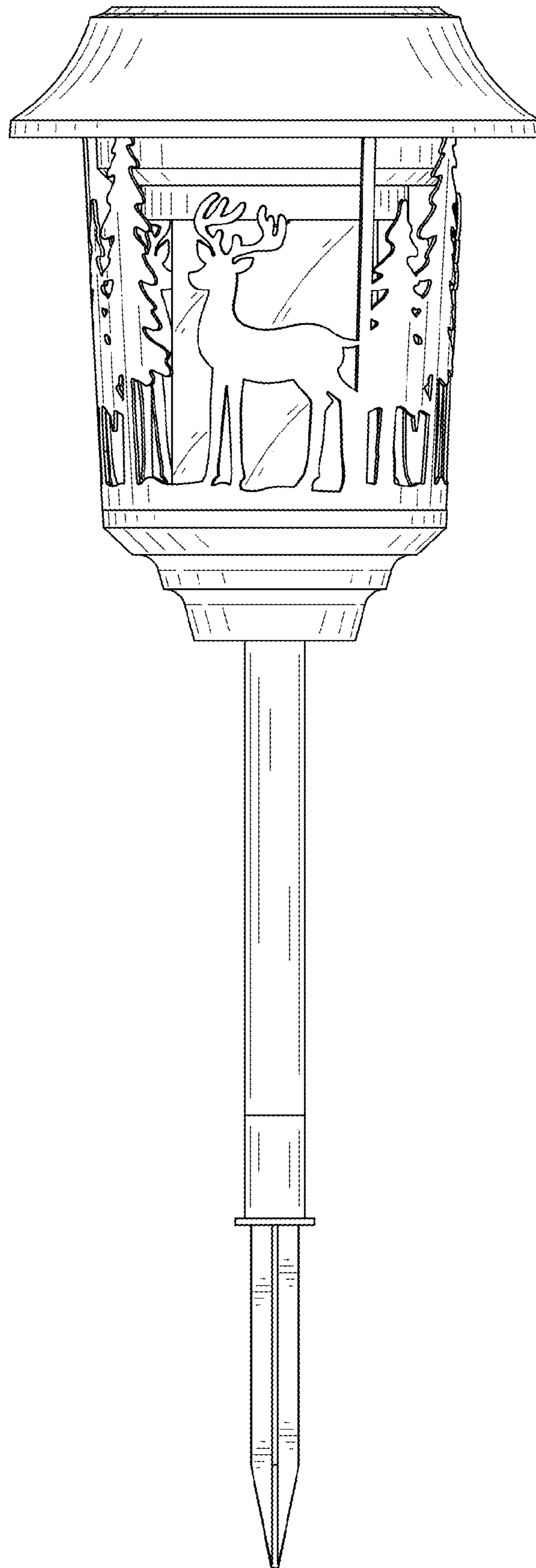


FIG. 4

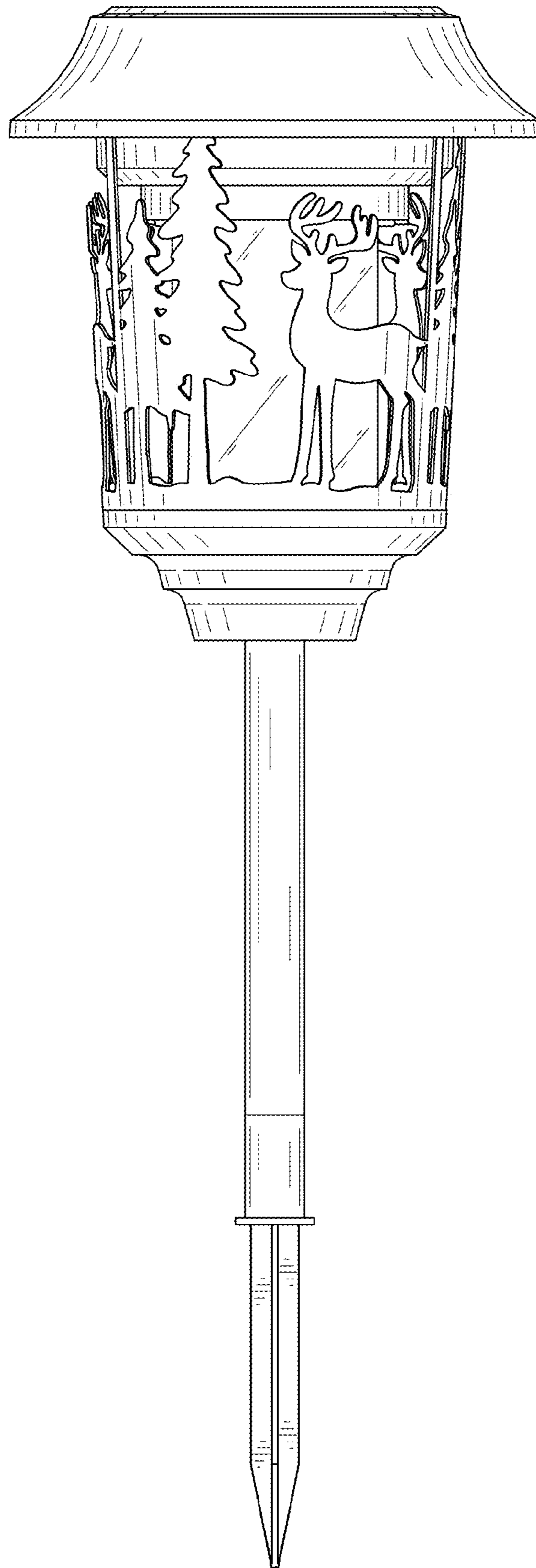


FIG. 5

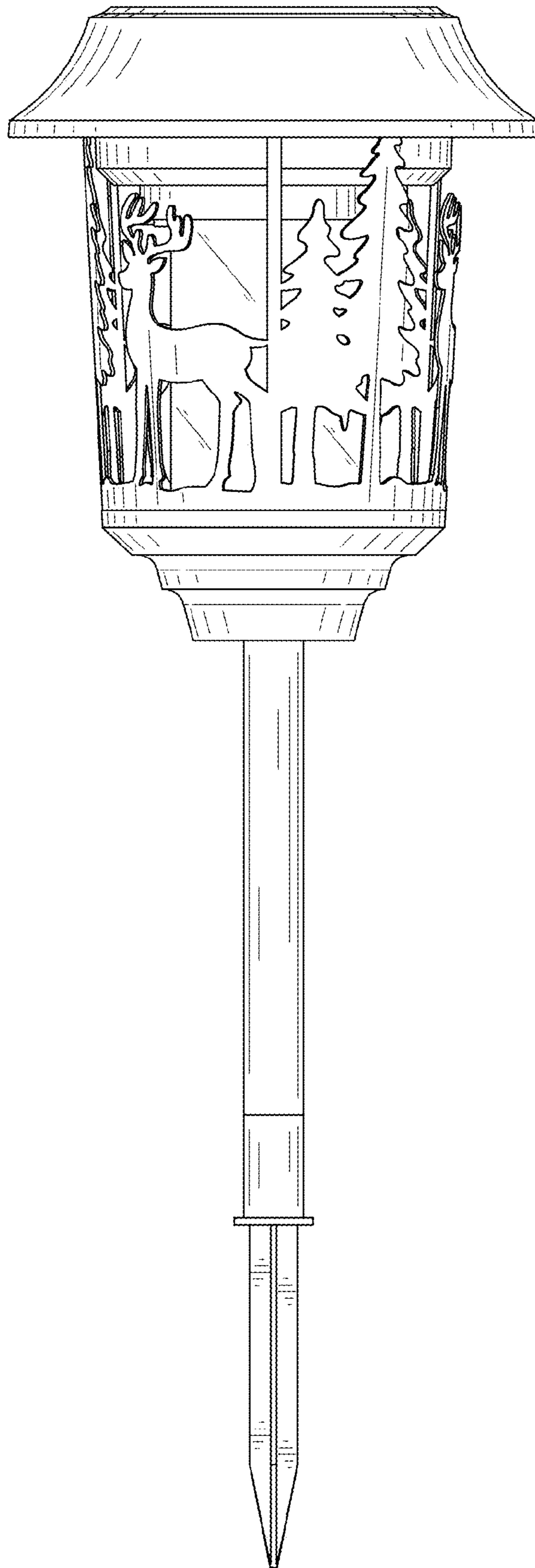


FIG. 6

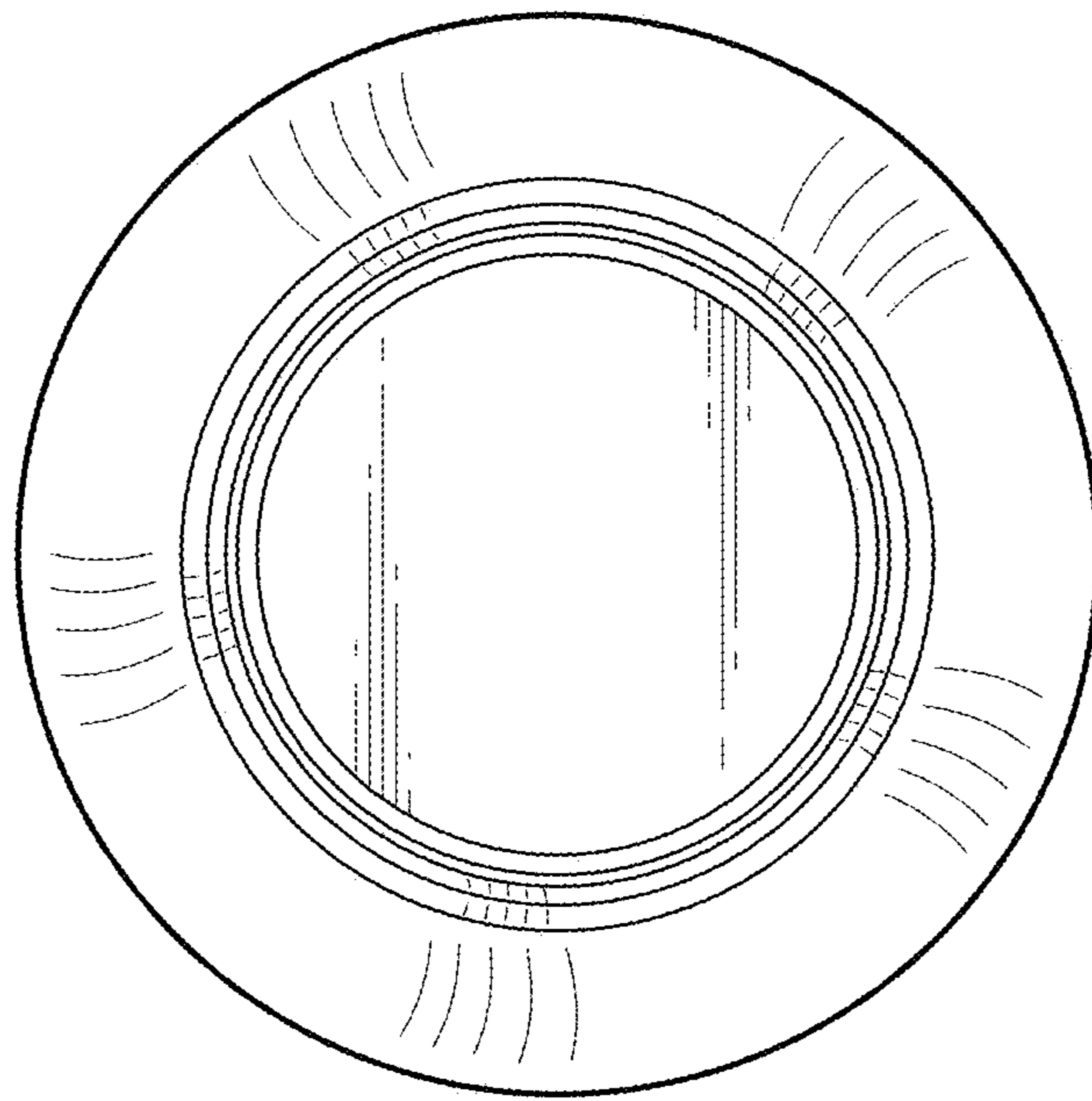


FIG. 7

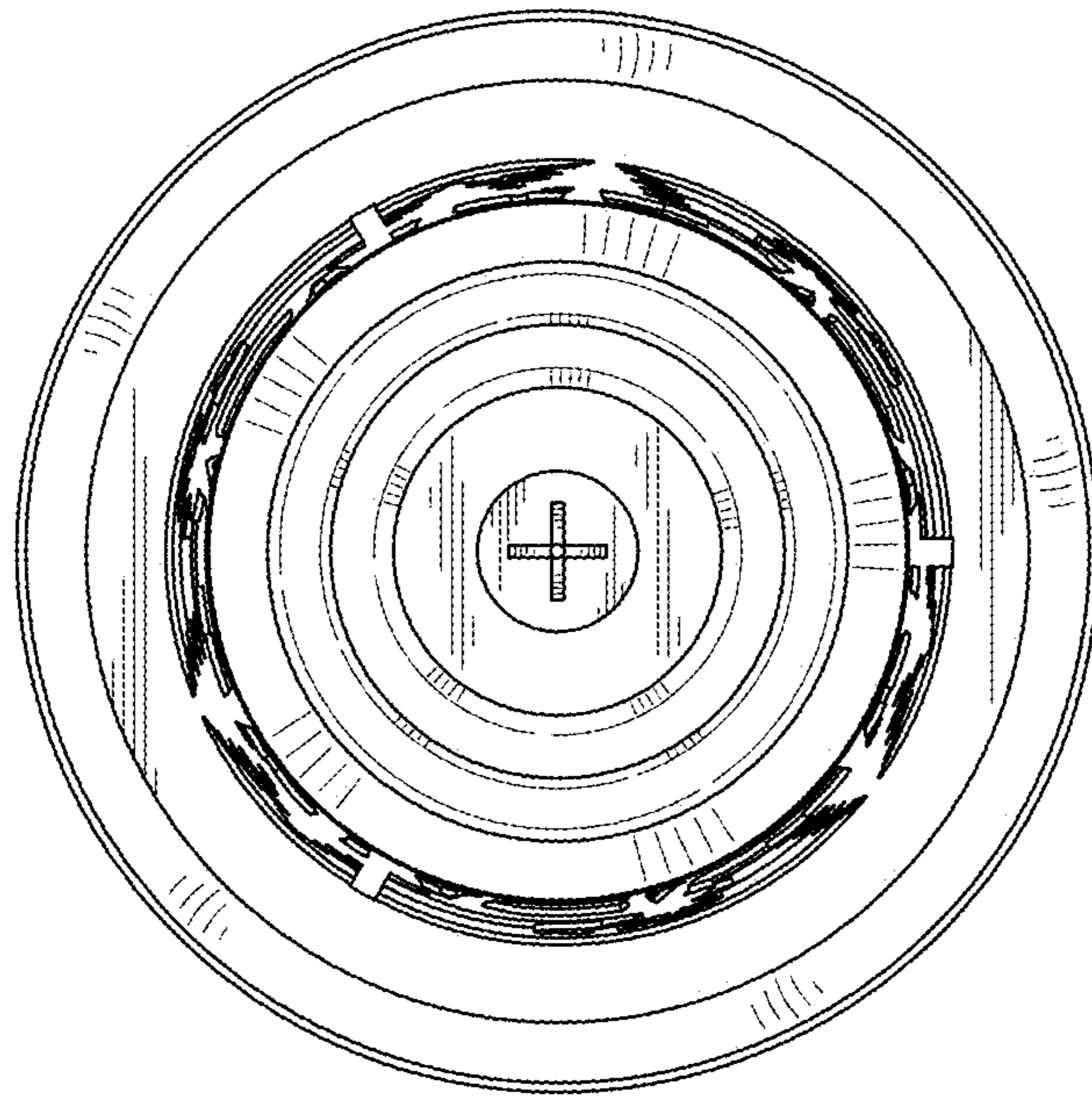


FIG. 8