



US00D894464S

(12) **United States Design Patent**  
**Xia et al.**

(10) **Patent No.:** **US D894,464 S**

(45) **Date of Patent:** **\*\* Aug. 25, 2020**

(54) **LAMP**

(71) Applicant: **DONGGUAN OSM DIGITAL CO., LTD**, Dongguan (CN)

(72) Inventors: **Meihua Xia**, Shenzhen (CN); **Qingsong Wen**, Dongguan (CN); **Hongjun Ling**, Dongguan (CN)

(73) Assignee: **DONGGUAN OSM DIGITAL CO., LTD**, Dongguan (CN)

(\*\*) Term: **15 Years**

(21) Appl. No.: **29/734,192**

(22) Filed: **May 11, 2020**

(30) **Foreign Application Priority Data**

Apr. 3, 2020 (CN) ..... 2020 3 0128383

(51) **LOC (12) Cl.** ..... **26-03**

(52) **U.S. Cl.**  
USPC ..... **D26/65**

(58) **Field of Classification Search**  
USPC ..... D26/1, 24, 49, 61, 63, 64, 65, 85, 92,  
D26/138, 111  
CPC ..... F21V 21/14; F21V 15/01; F21V 14/02;  
F21V 21/30; F21V 21/00; F21V 14/00;  
F21V 1/06; F21V 1/12; F21S 8/00; F21S  
8/003; F21S 8/043; F21Y 2105/001  
See application file for complete search history.

(56) **References Cited**

U.S. PATENT DOCUMENTS

D695,434 S	*	12/2013	Shen	.....	D26/65
D803,450 S	*	11/2017	Xie	.....	D26/63
D852,396 S	*	6/2019	Uematsu	.....	D26/63
D853,613 S	*	7/2019	Lien	.....	D26/63
D873,463 S		1/2020	Wang et al.		

\* cited by examiner

*Primary Examiner* — Brian N. Vinson

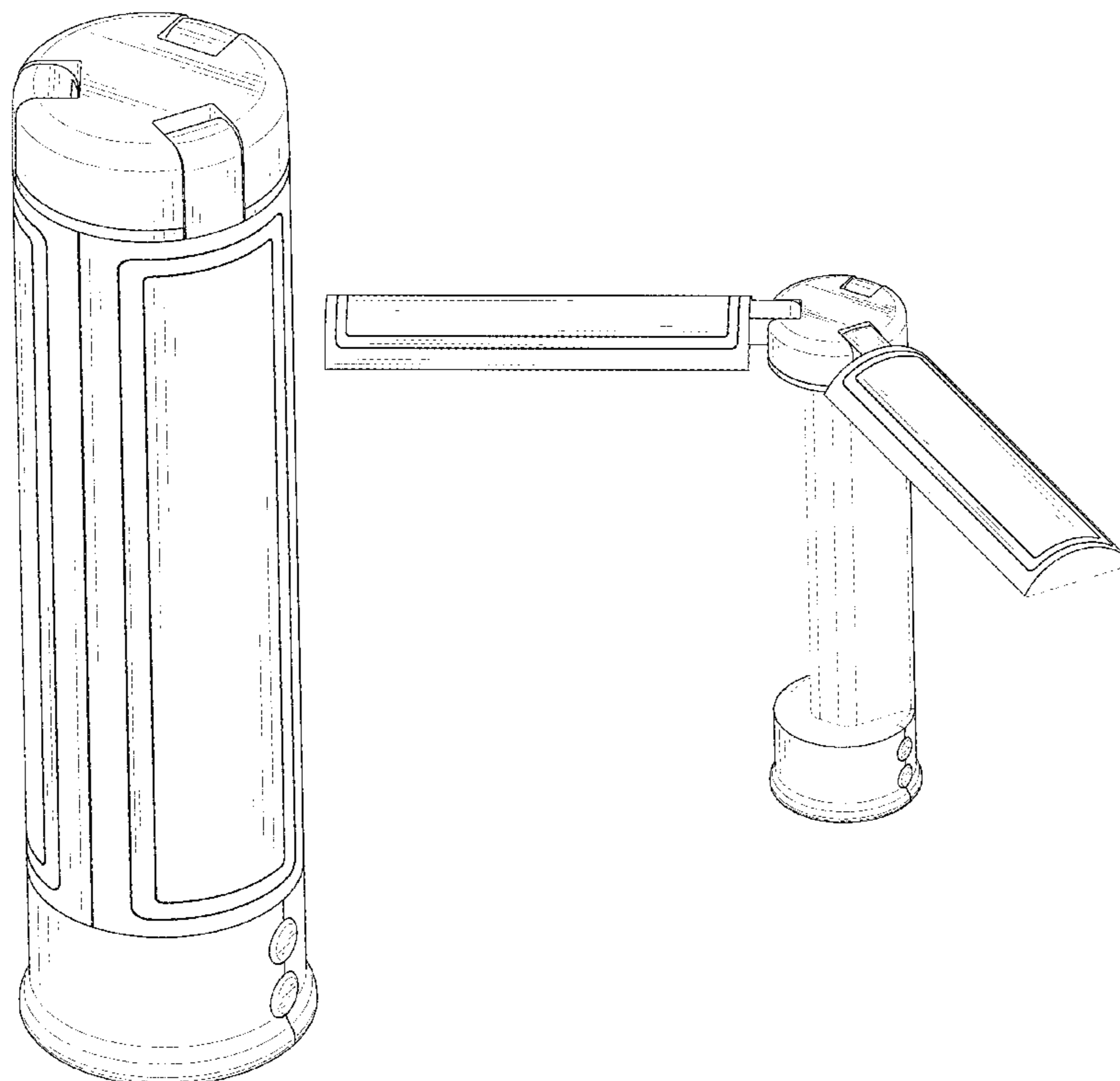
(57) **CLAIM**

The ornamental design for a lamp, as shown and described.

**DESCRIPTION**

FIG. 1 is a perspective view of a lamp showing my new design;  
FIG. 2 is another perspective view thereof;  
FIG. 3 is a front elevational view thereof;  
FIG. 4 is a rear elevational view thereof;  
FIG. 5 is a left side elevational view thereof;  
FIG. 6 is a right side elevational view thereof;  
FIG. 7 is a top plan view thereof;  
FIG. 8 is a bottom plan view thereof;  
FIG. 9 is a perspective view of the lamp where the lamp is in a first open status;  
FIG. 10 is a perspective view of the lamp where the lamp is in a second open status; and,  
FIG. 11 is a perspective view of the lamp where the lamp is in a third open status.  
The broken lines in the drawings depict portions of the lamp that form no part of the claimed design.

**1 Claim, 11 Drawing Sheets**



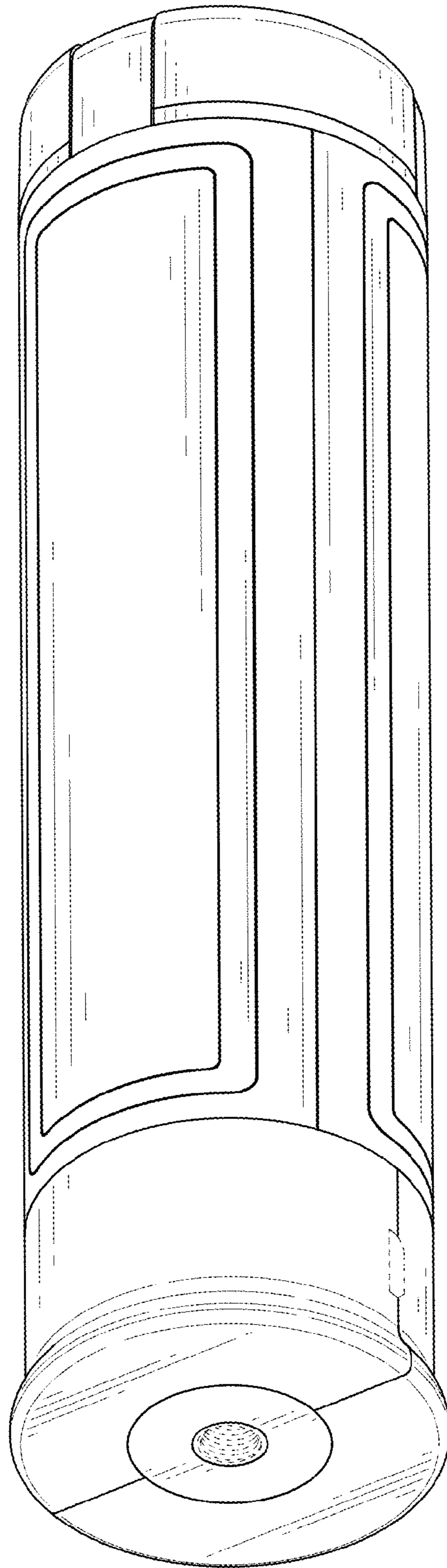


FIG. 1

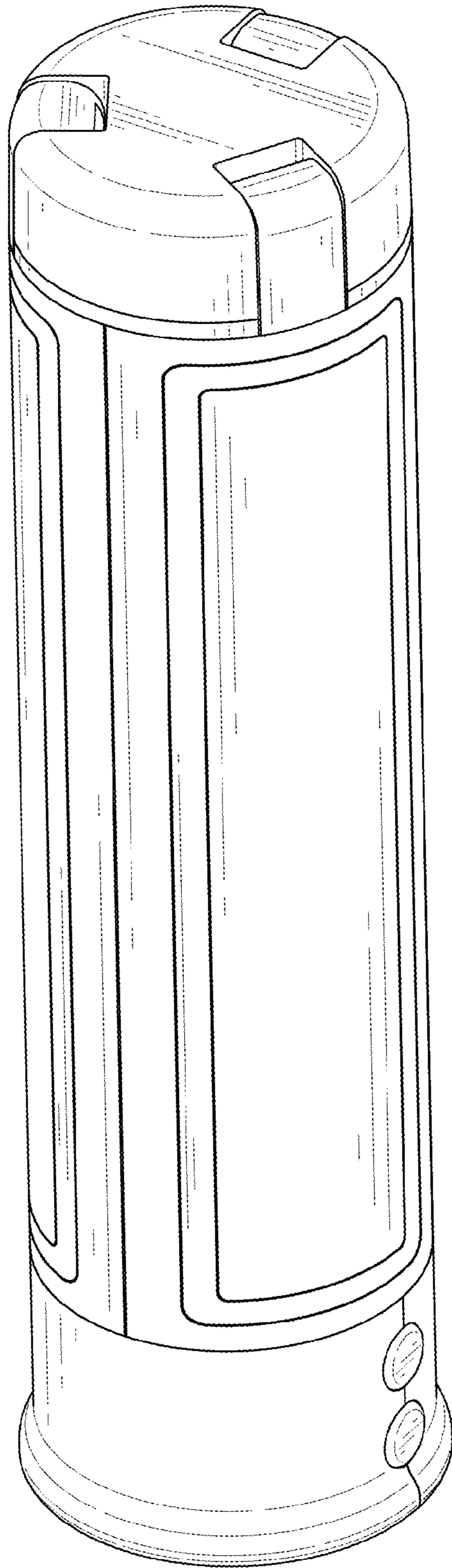


FIG. 2

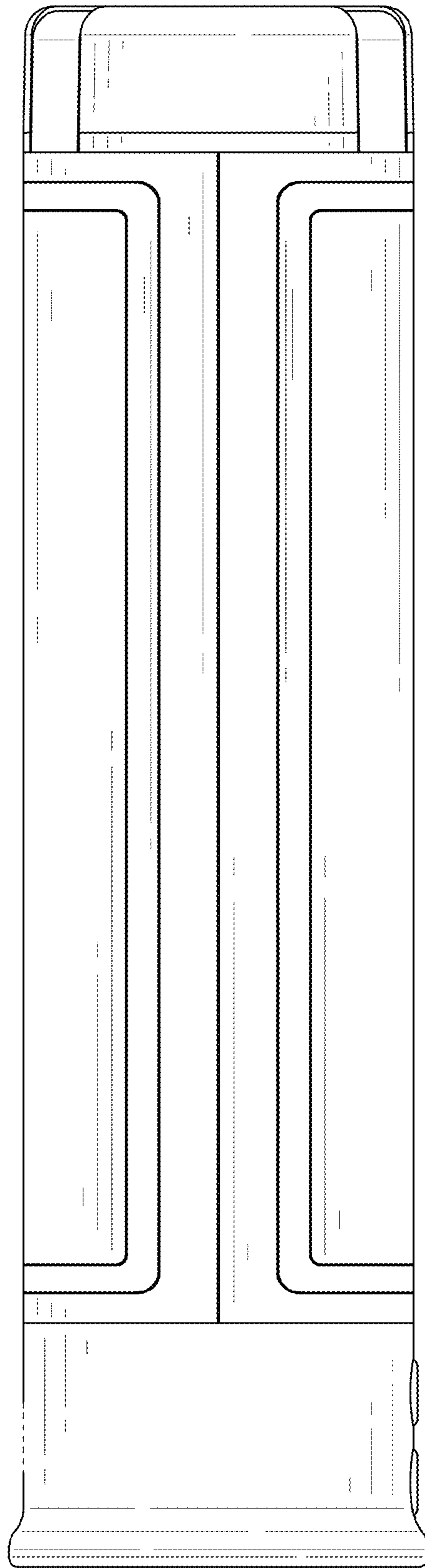


FIG. 3

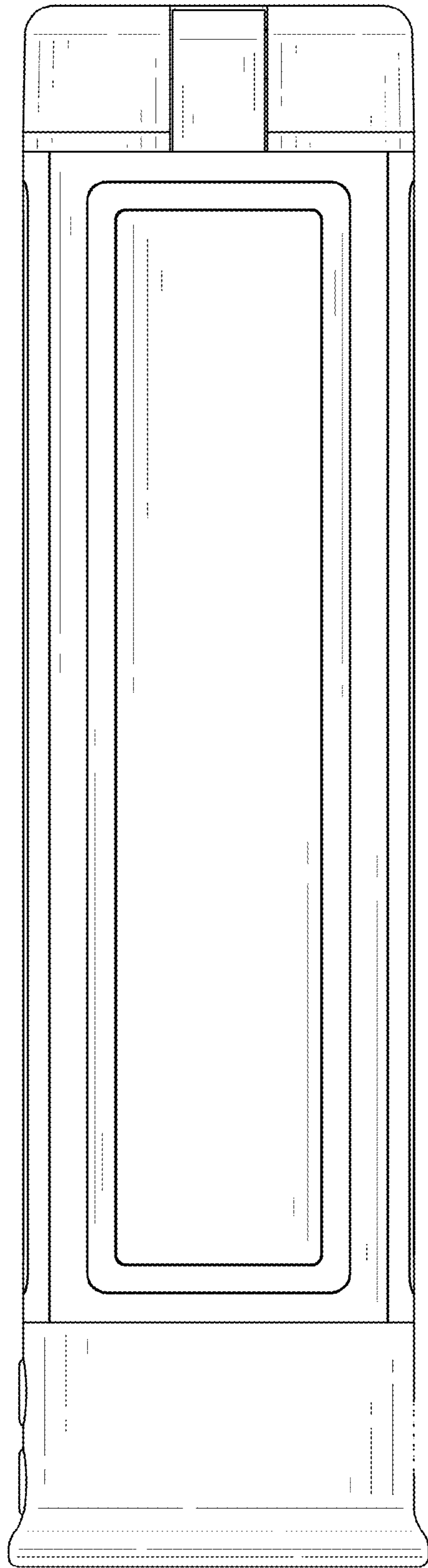


FIG. 4

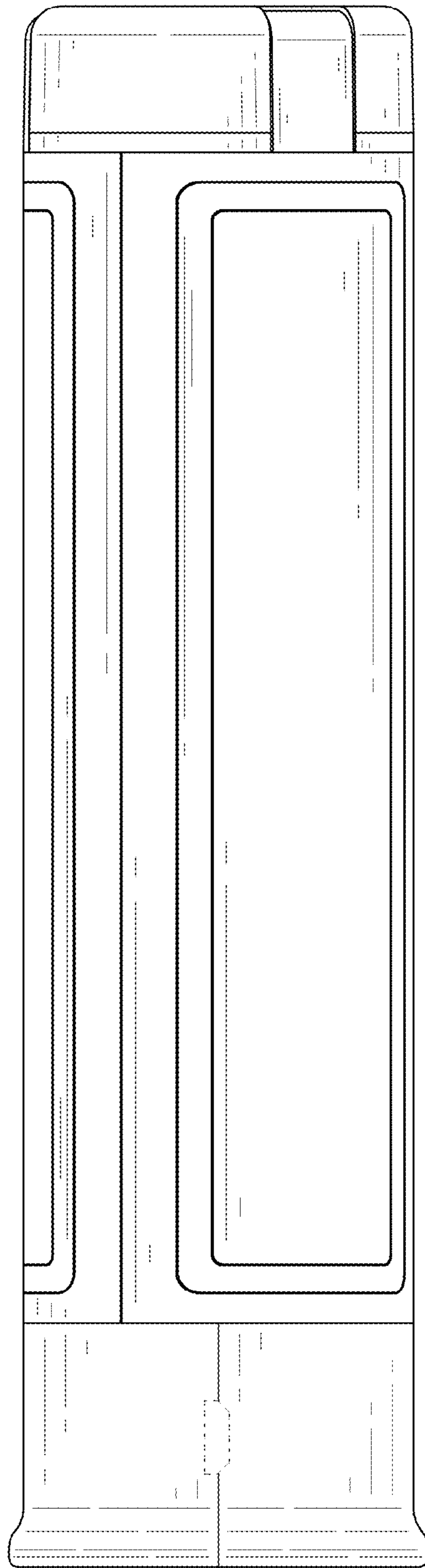


FIG. 5

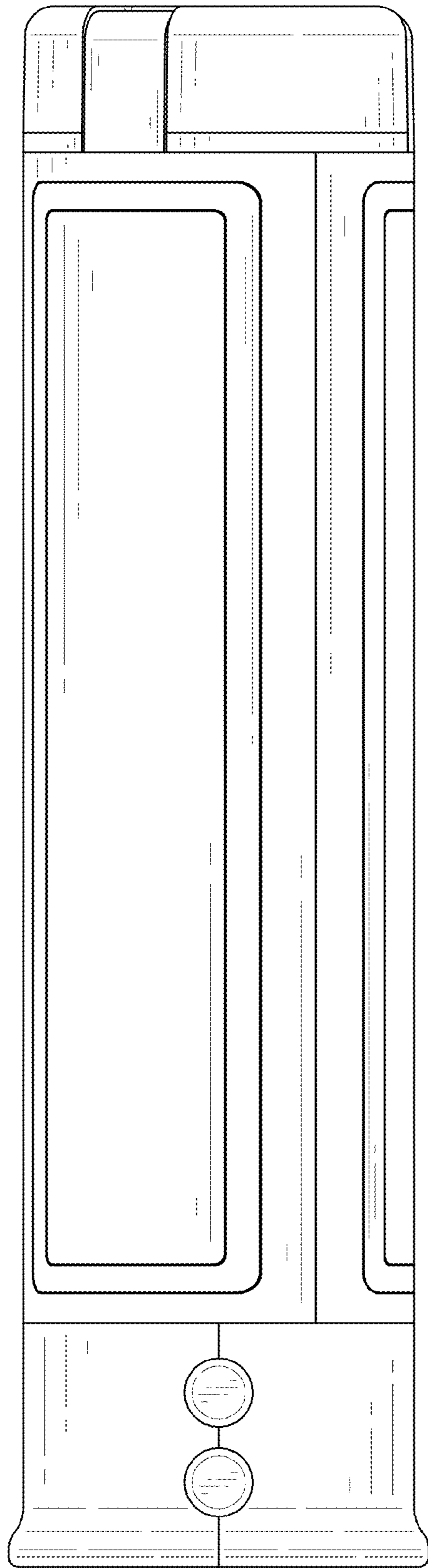


FIG. 6

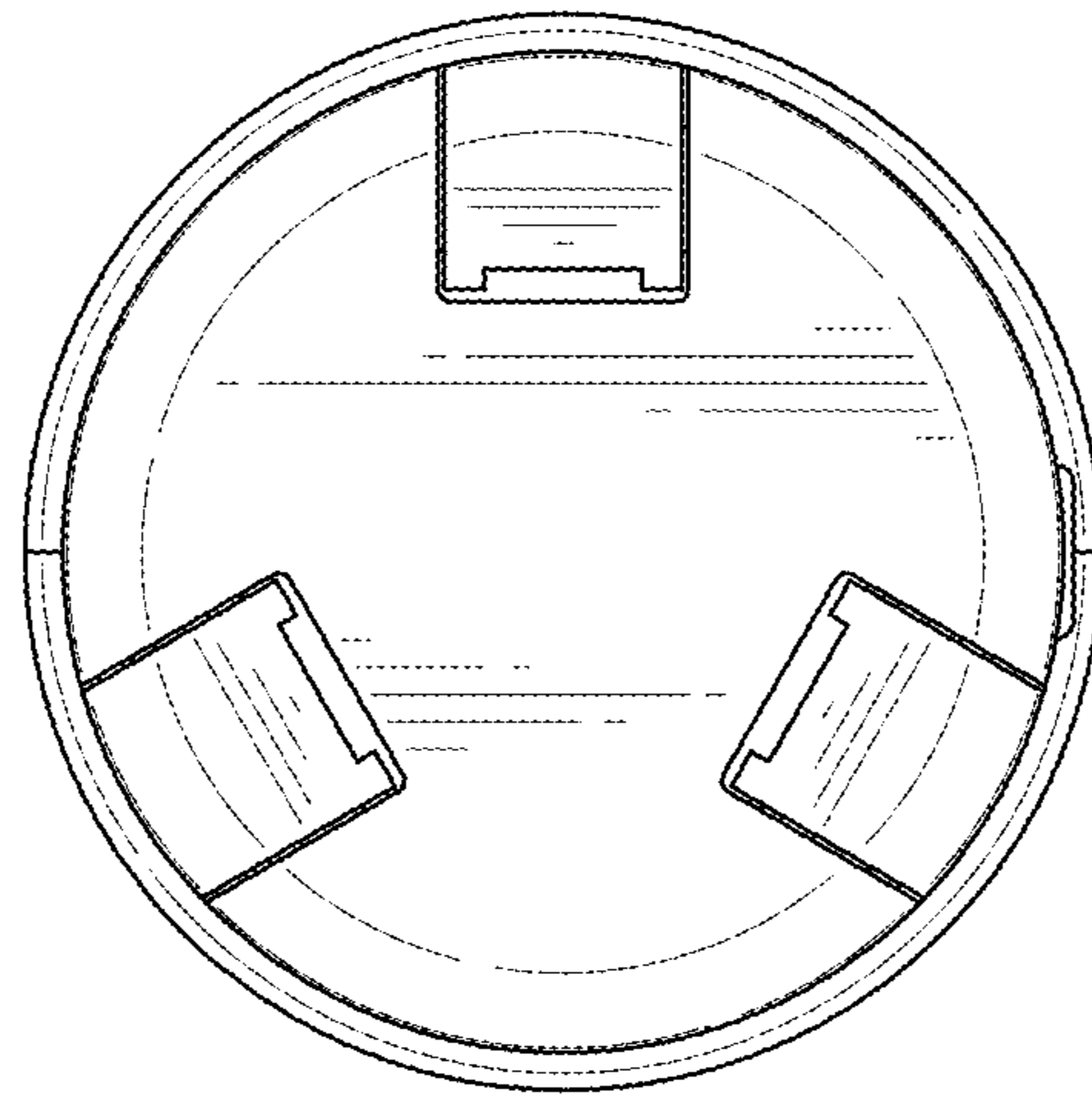


FIG. 7



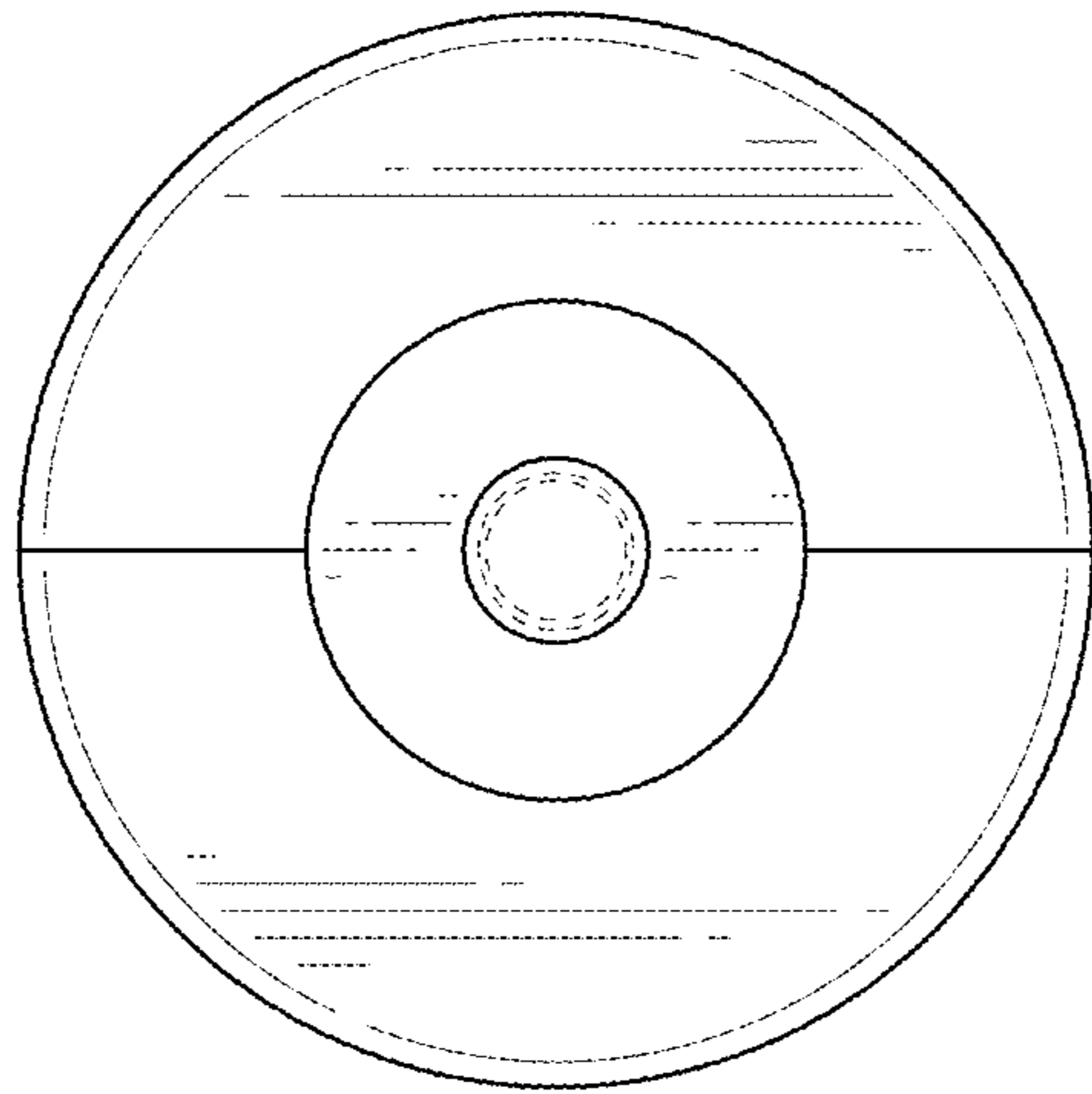


FIG. 8

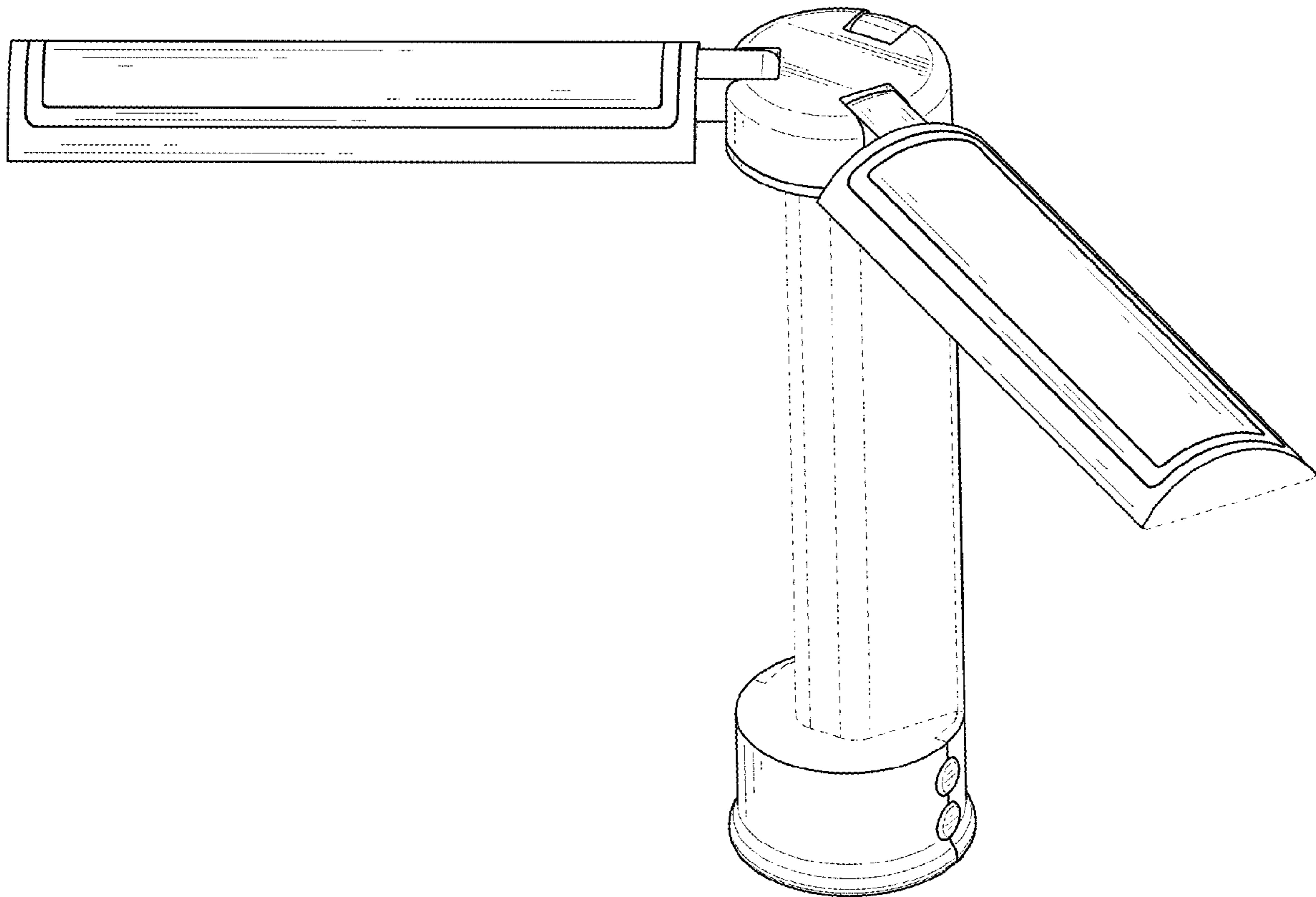


FIG. 9

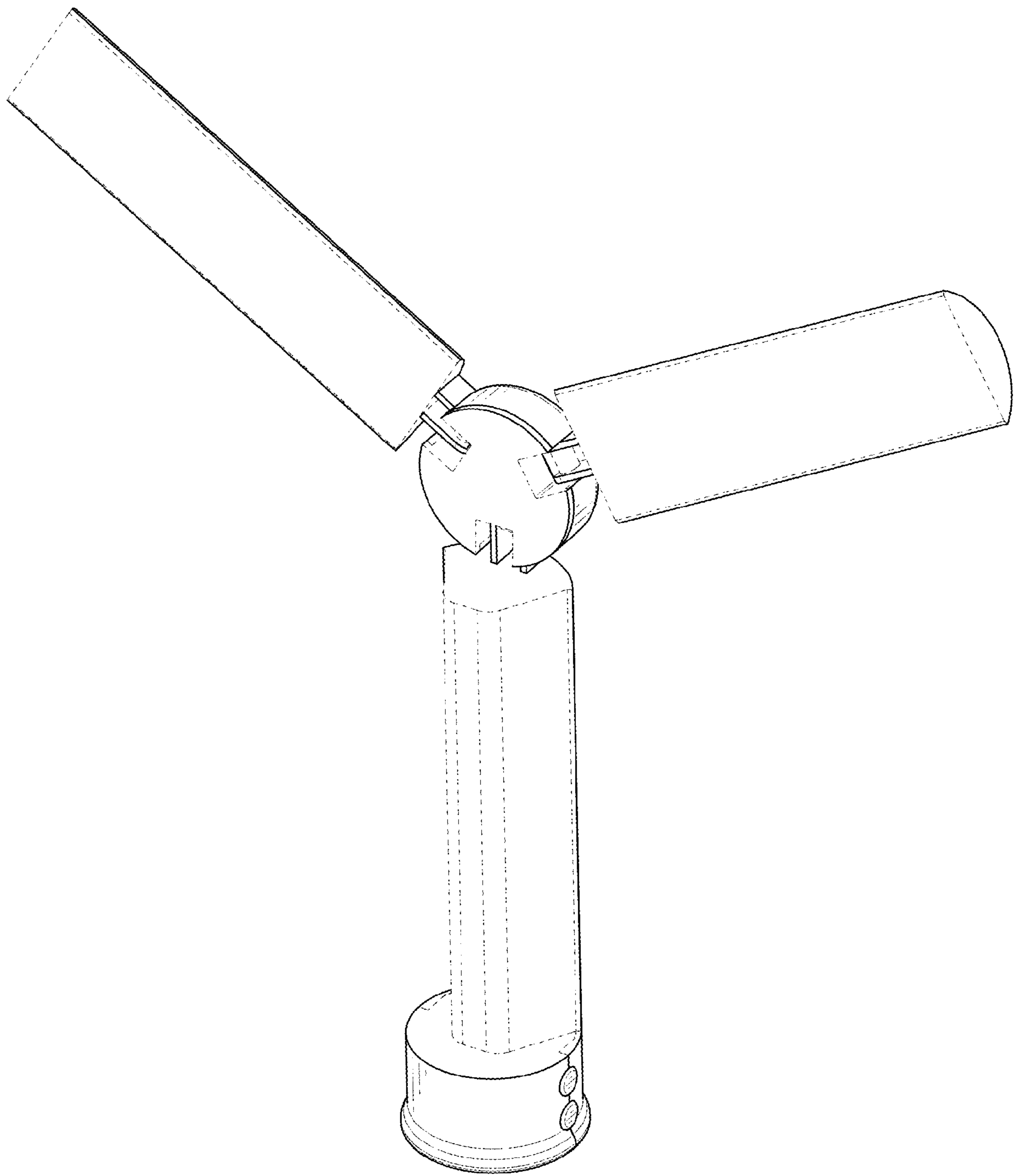


FIG. 10

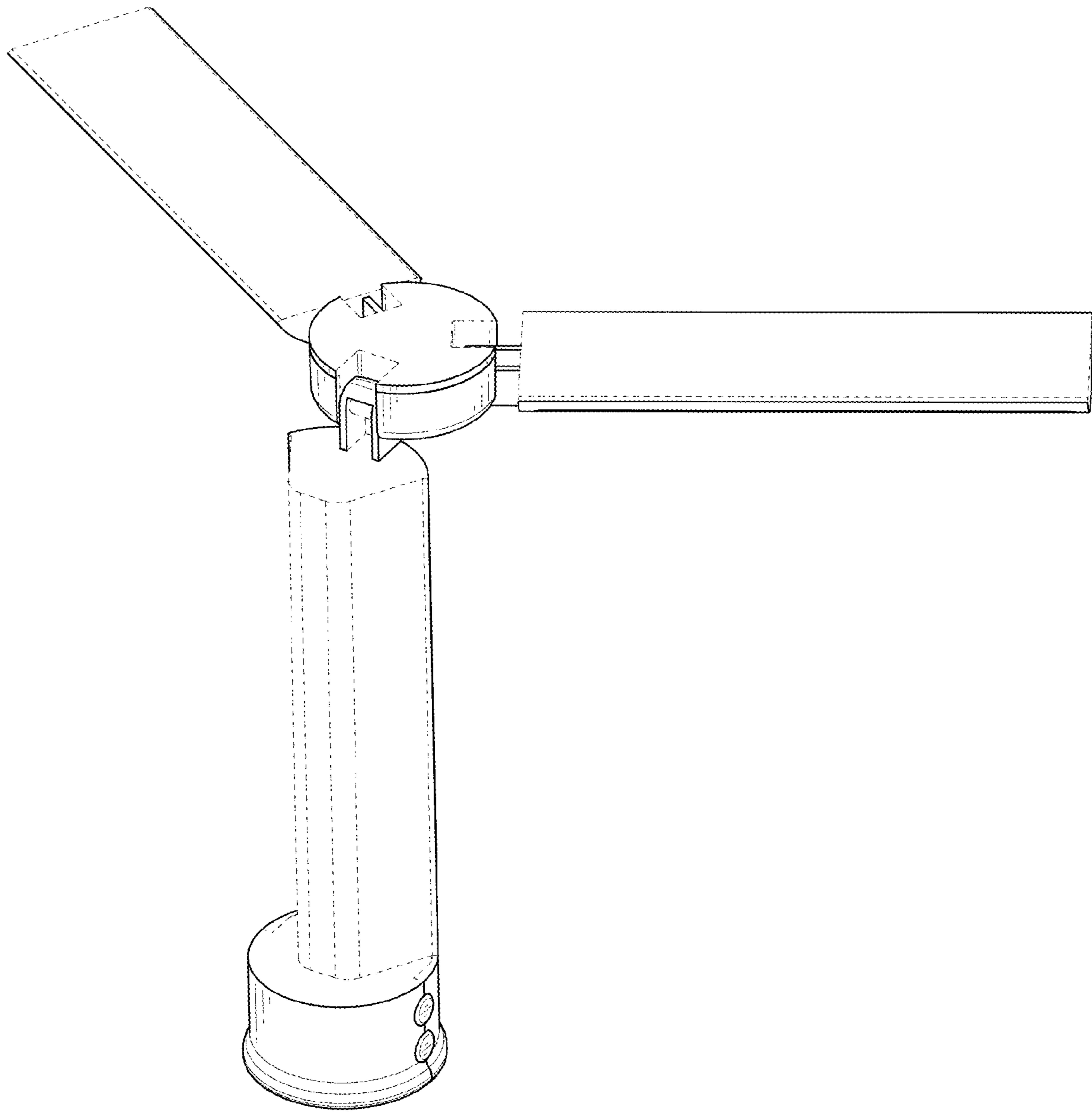


FIG. 11