



US00D894463S

(12) **United States Design Patent** (10) **Patent No.:** **US D894,463 S**  
**Recker et al.** (45) **Date of Patent:** **\*\* Aug. 25, 2020**

(54) **FLOOD LIGHT**

FOREIGN PATENT DOCUMENTS

(71) Applicant: **Amazon Technologies, Inc.**, Seattle, WA (US)

JP D1385931 4/2010  
TW 098792 4/1988

(Continued)

(72) Inventors: **Michael V. Recker**, Gaithersburg, MD (US); **David B. Levine**, Pepper Pike, OH (US); **Ryan D. Hruska**, North Royalton, OH (US); **Christopher Loew**, Palo Alto, CA (US)

OTHER PUBLICATIONS

Korean Office Action dated Apr. 17, 2019 for Korean Patent Application No. 30-2018-31146, a counterpart of U.S. Appl. No. 29/632,480, 2 pages.

(Continued)

(73) Assignee: **Amazon Technologies, Inc.**, Seattle, WA (US)

*Primary Examiner* — Brian N. Vinson

(\*\*) Term: **15 Years**

(74) *Attorney, Agent, or Firm* — Lee & Hayes, P.C.

(21) Appl. No.: **29/723,293**

(22) Filed: **Feb. 5, 2020**

**Related U.S. Application Data**

(57) **CLAIM**

(60) Division of application No. 29/682,583, filed on Mar. 6, 2019, now Pat. No. Des. 878,656, which is a continuation-in-part of application No. 29/632,480, filed on Jan. 8, 2018, now Pat. No. Des. 869,038.

The ornamental design for a flood light, as shown and described.

(51) **LOC (12) Cl.** ..... **26-03**

**DESCRIPTION**

(52) **U.S. Cl.**

USPC ..... **D26/63**

(58) **Field of Classification Search**

USPC ..... D26/24, 51, 61, 63, 65, 72, 80  
CPC .... F21S 8/04; F21S 8/00; F21V 21/00; F21V 17/02; F21V 14/02; F21V 21/30; F21V 21/14; F21V 21/26; F21W 2131/10  
See application file for complete search history.

FIG. 1 is a front, left, bottom perspective view of a flood light according to the present design;  
FIG. 2 is a back, right, top perspective view thereof;  
FIG. 3 is a front, right, top perspective view thereof;  
FIG. 4 is a back, left, bottom perspective view thereof;  
FIG. 5 is a front elevation view thereof;  
FIG. 6 is a back elevation view thereof;  
FIG. 7 is a left-side elevation view thereof;  
FIG. 8 is a right-side elevation view thereof;  
FIG. 9 is a top plan view thereof; and,  
FIG. 10 is a bottom plan view thereof.

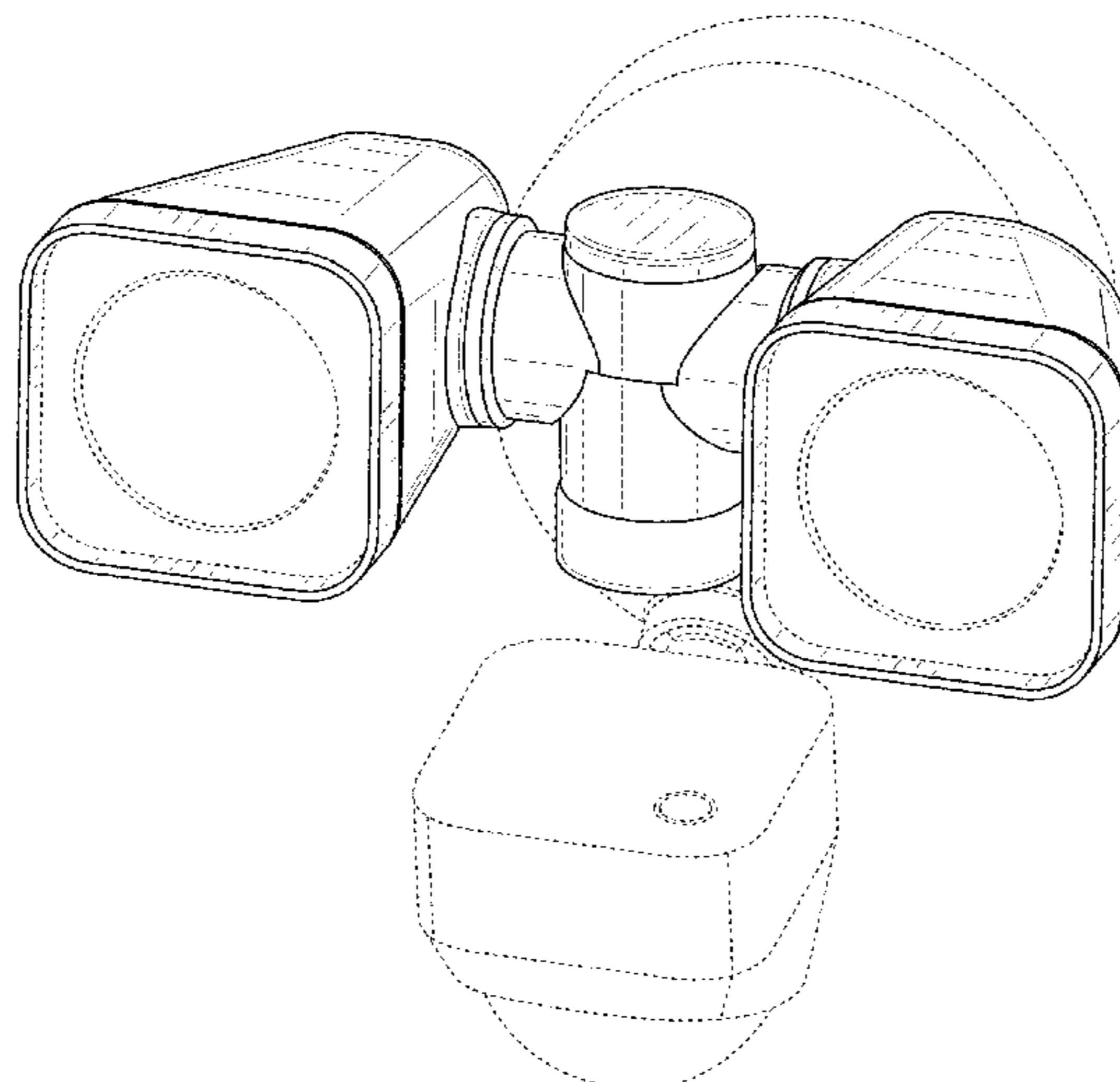
(56) **References Cited**

**U.S. PATENT DOCUMENTS**

5,258,899 A \* 11/1993 Chen ..... F21V 17/02  
362/394  
5,381,323 A \* 1/1995 Osteen ..... F21V 17/02  
340/567  
D361,149 S \* 8/1995 Wedell ..... D26/63

The dashed lines depict portions of the flood light that form no part of the claimed design. The dot-dashed broken lines represent a boundary of the claimed flood light and form no part of the claimed design.

**1 Claim, 10 Drawing Sheets**



(56)

**References Cited**

U.S. PATENT DOCUMENTS

5,649,761 A \* 7/1997 Sandell ..... F21V 17/02  
362/276  
D392,065 S 3/1998 Morrow et al.  
D441,113 S \* 4/2001 Small ..... D26/63  
D713,579 S \* 9/2014 Chen ..... D26/63  
D713,581 S \* 9/2014 Chen ..... D26/63  
D713,582 S \* 9/2014 Liang ..... D26/63  
D742,053 S \* 10/2015 Sussman ..... D26/63  
D745,201 S \* 12/2015 Lee ..... D26/63  
D765,901 S \* 9/2016 Chen ..... D26/63  
D774,231 S \* 12/2016 Recker ..... D26/63  
D782,094 S 3/2017 Fletcher et al.

FOREIGN PATENT DOCUMENTS

TW 188095 1/2018  
TW 198513 7/2019

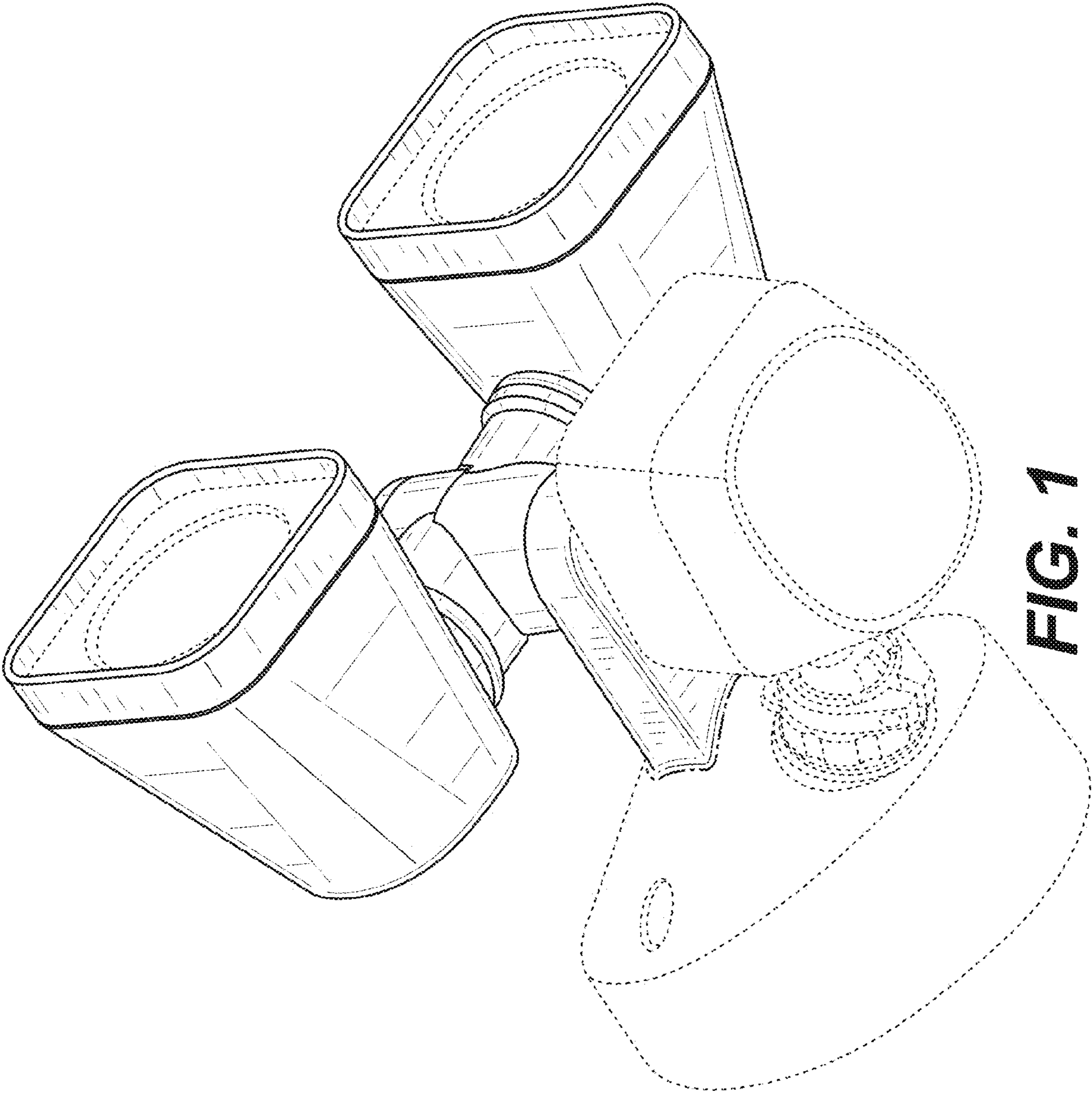
OTHER PUBLICATIONS

Taiwanese Search Report dated Mar. 4, 2019 for Taiwanese Patent Application No. 107303875, 1 pages.

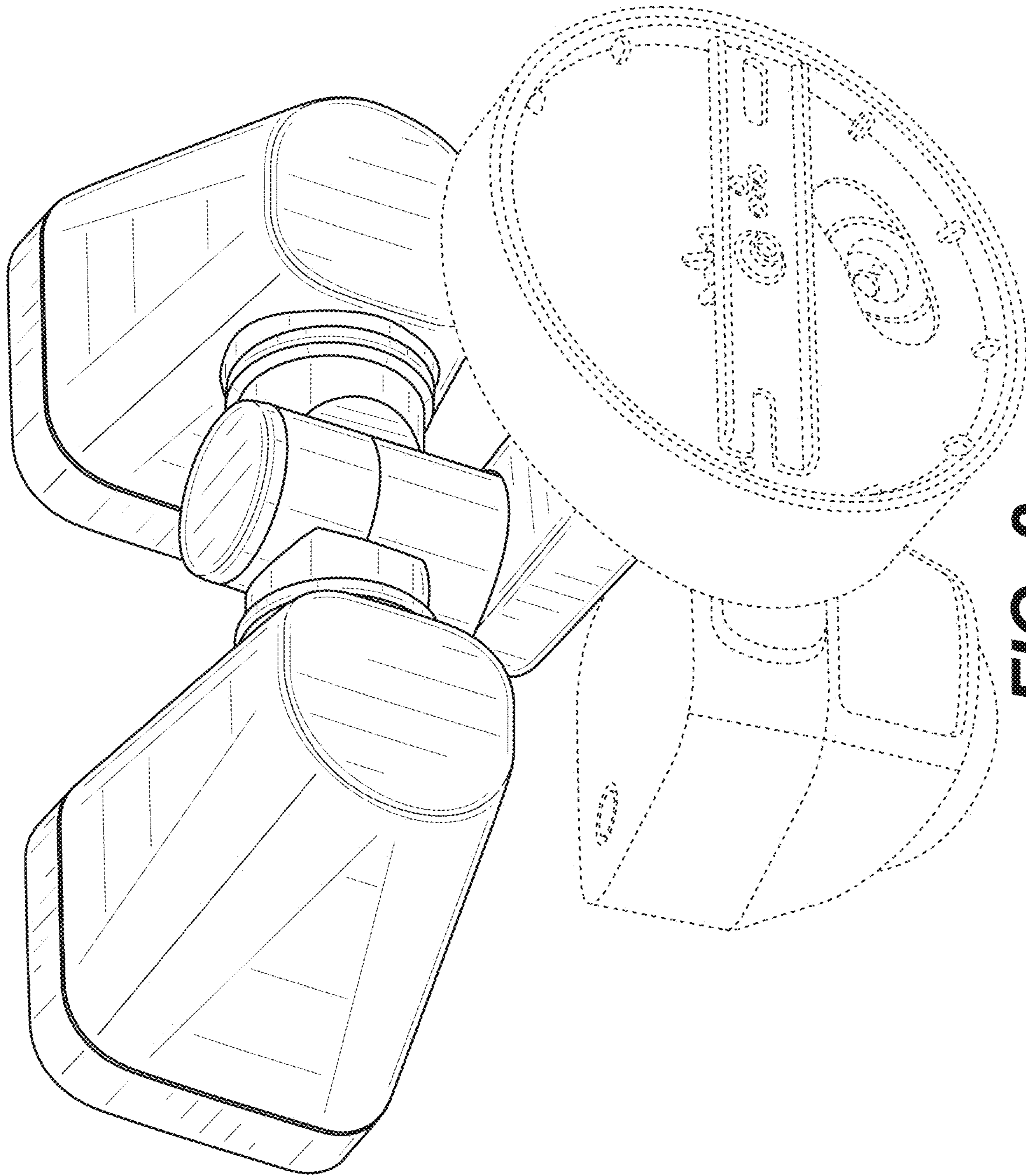
Taiwanese Office Action dated Apr. 24, 2020 for Taiwanese Patent Application No. 108305375, a counterpart of U.S. Pat. No. D878,656, 3 pages.

Taiwanese Office Action dated Apr. 24, 2020 for Taiwanese Patent Application No. 108305376, a counterpart of U.S. Pat. No. D878,656, 3 pages.

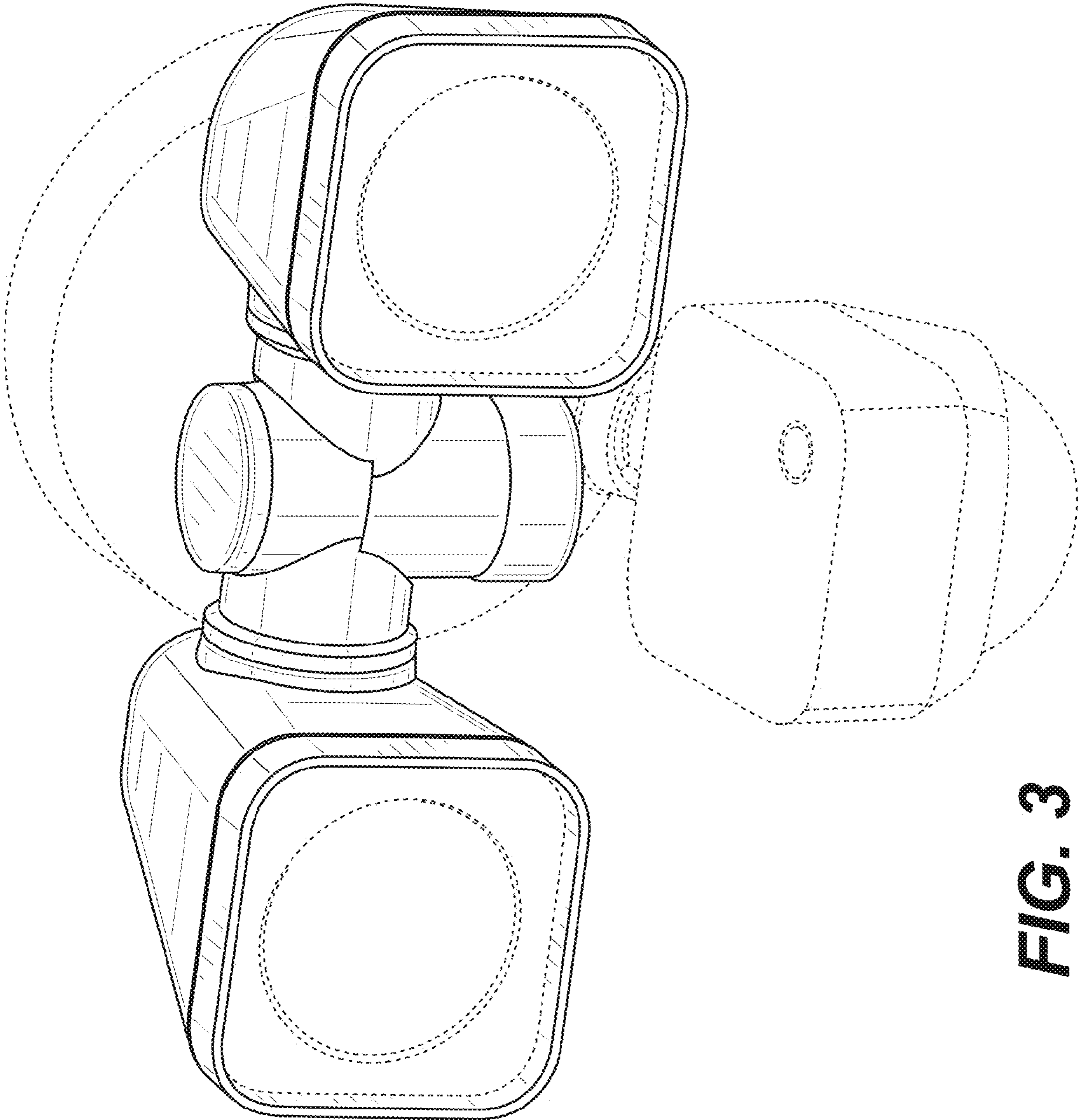
\* cited by examiner



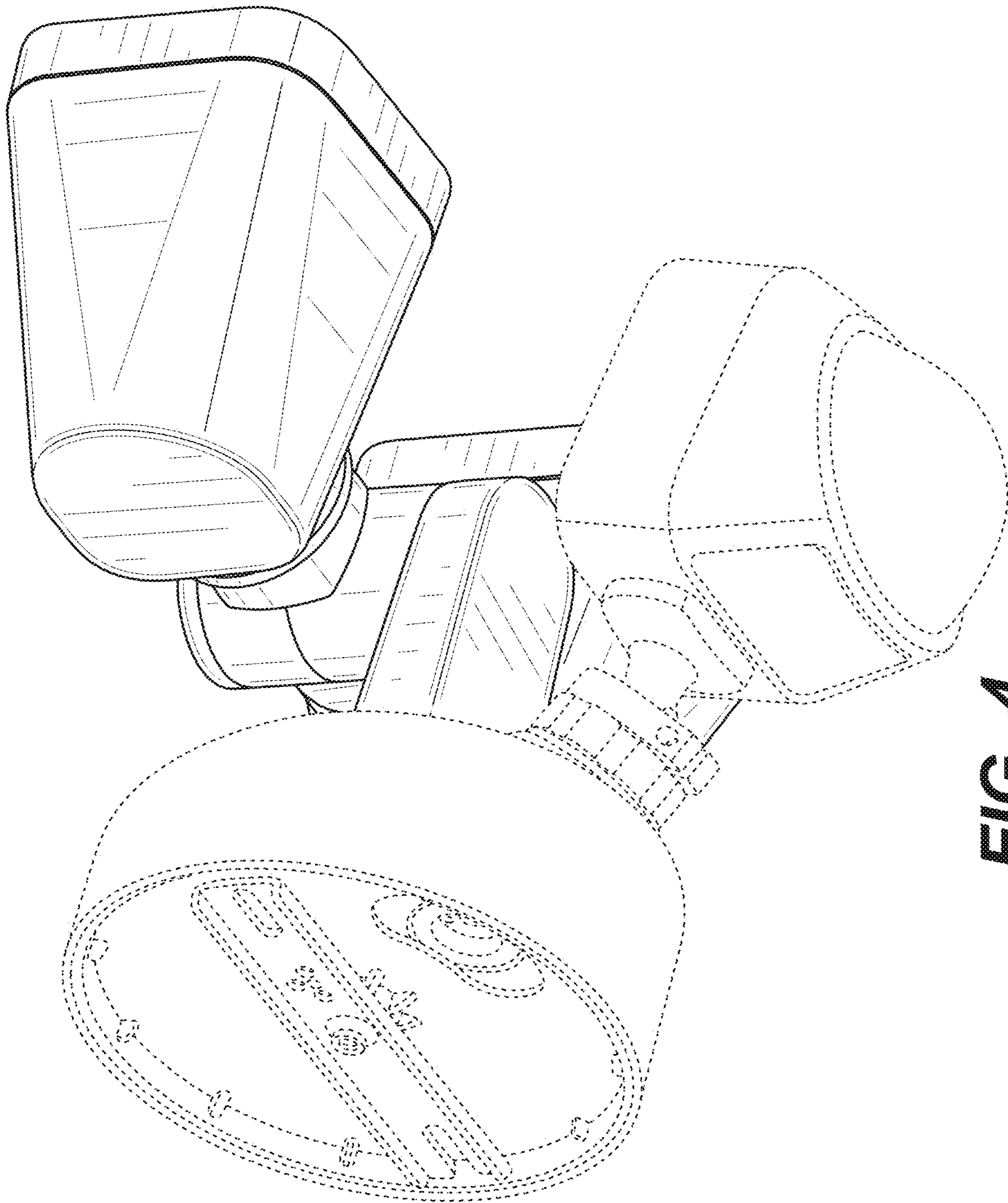
**FIG. 1**



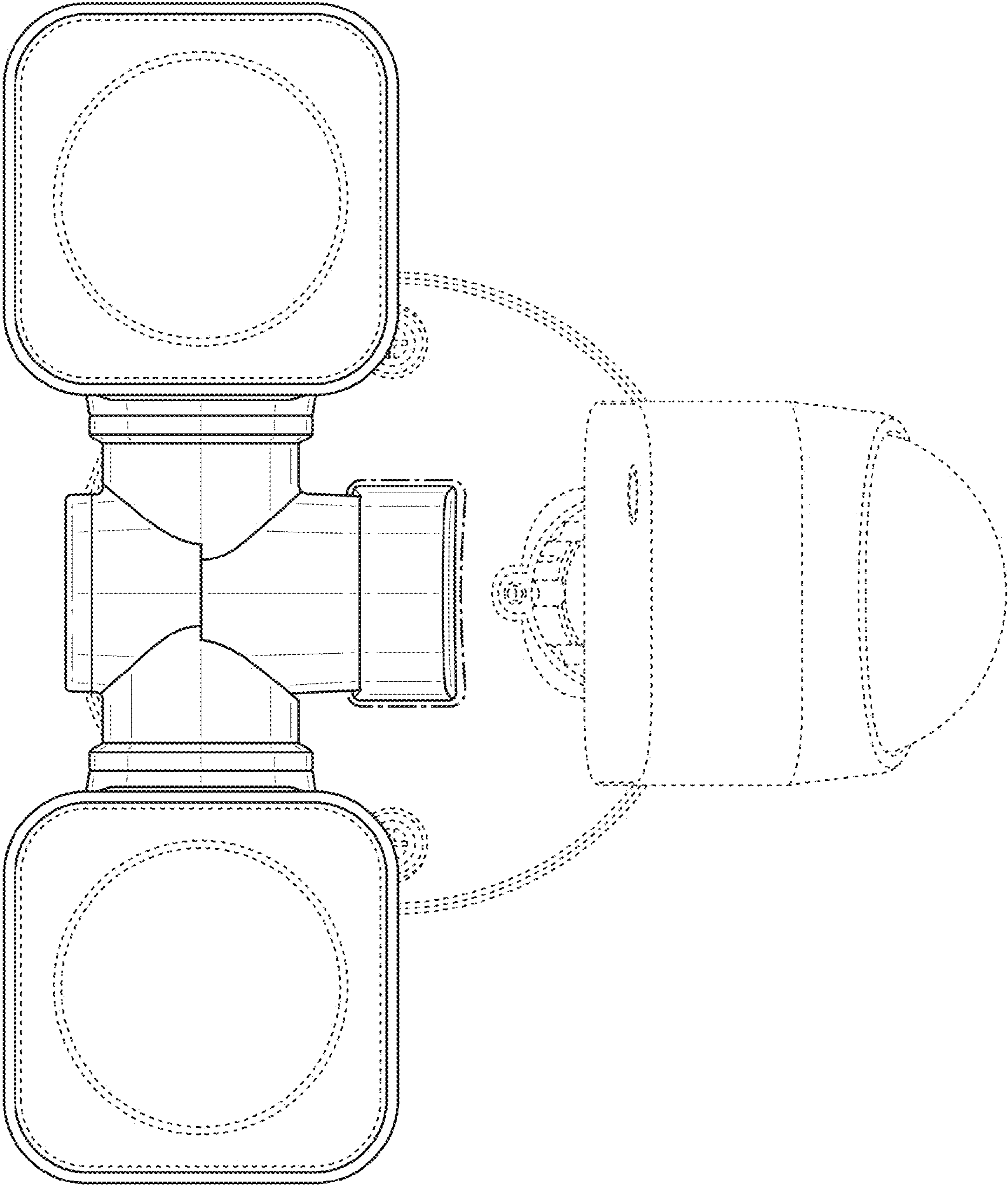
**FIG. 2**



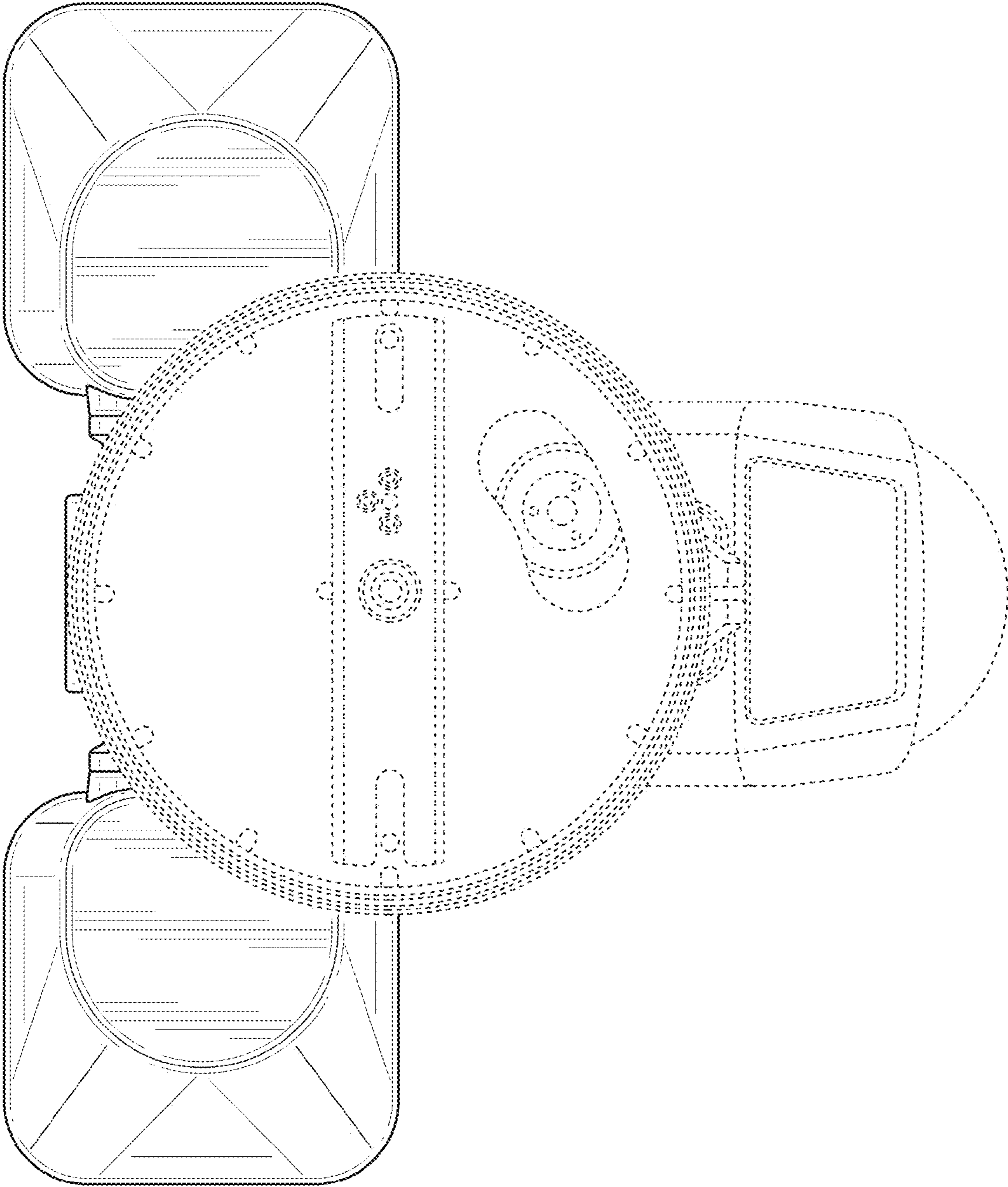
**FIG. 3**



**FIG. 4**

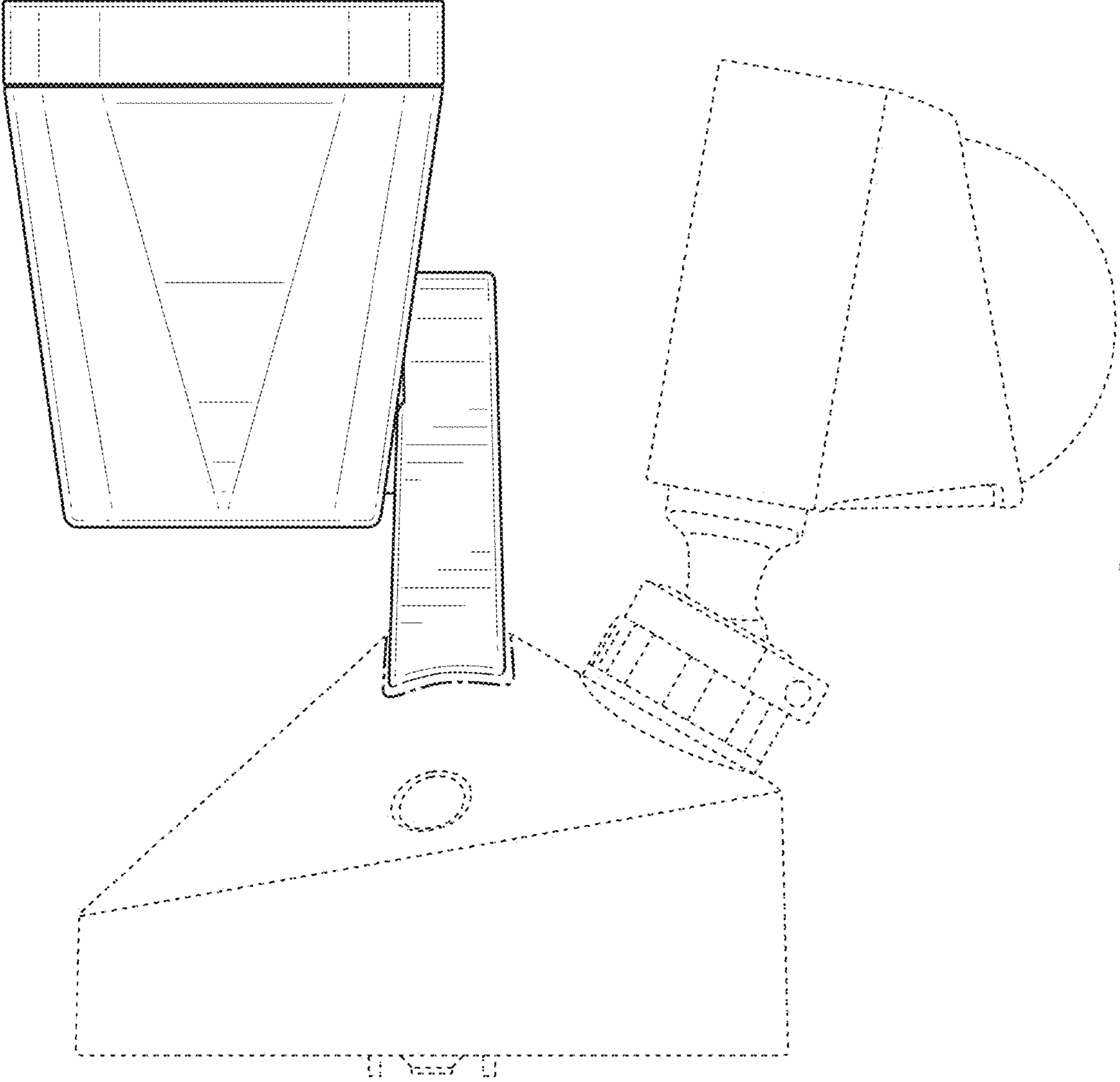


**FIG. 5**

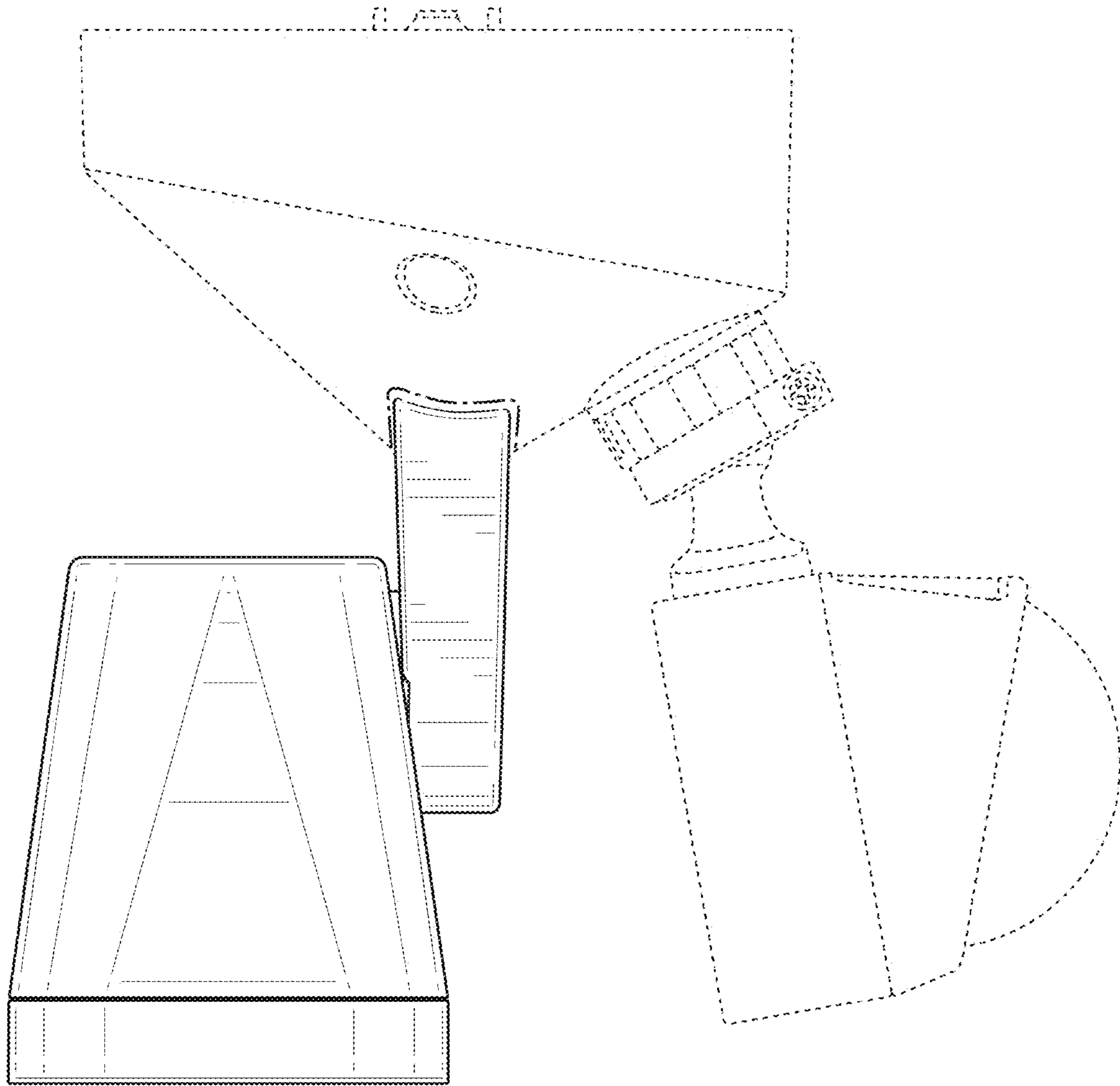


**FIG. 6**

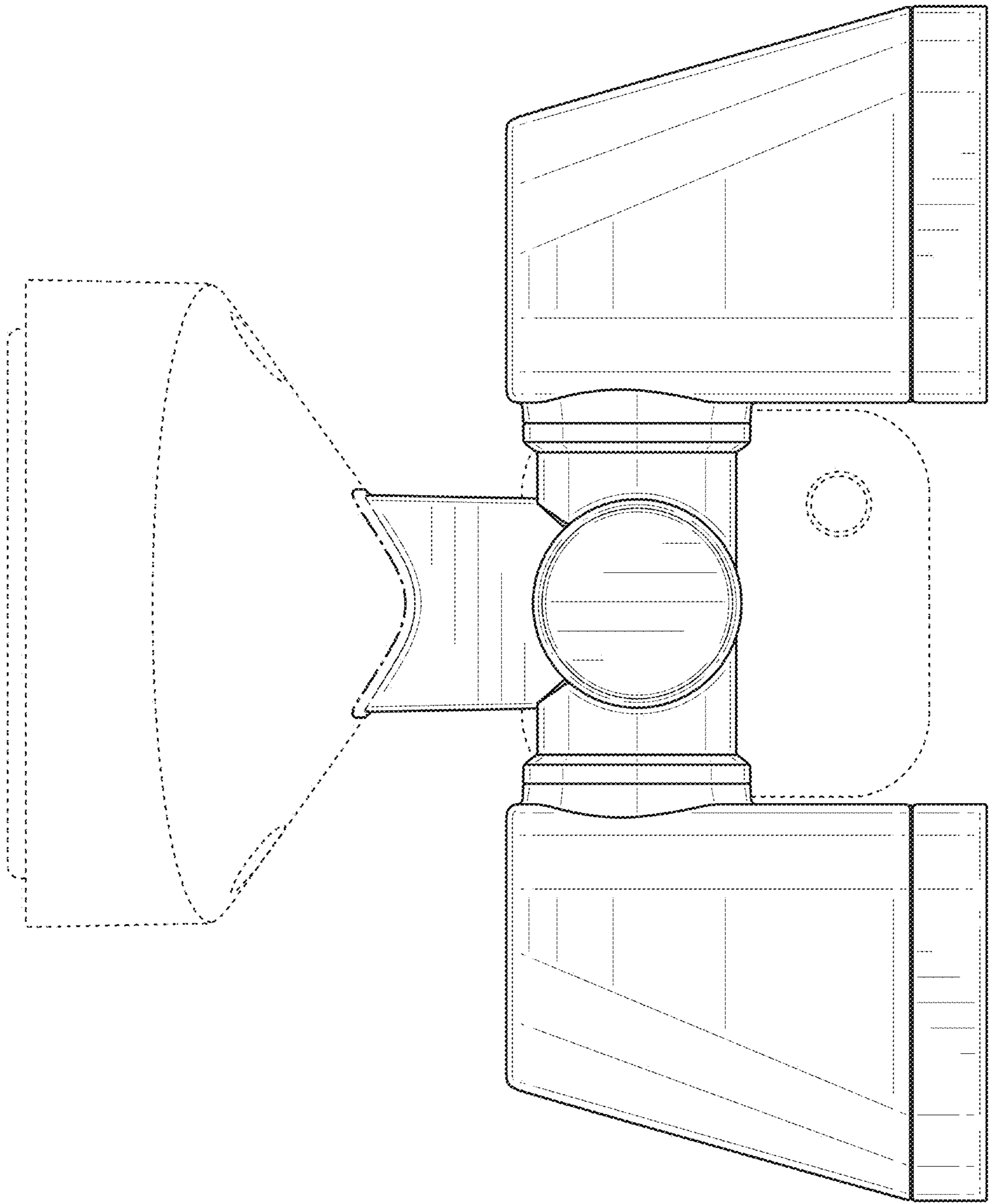




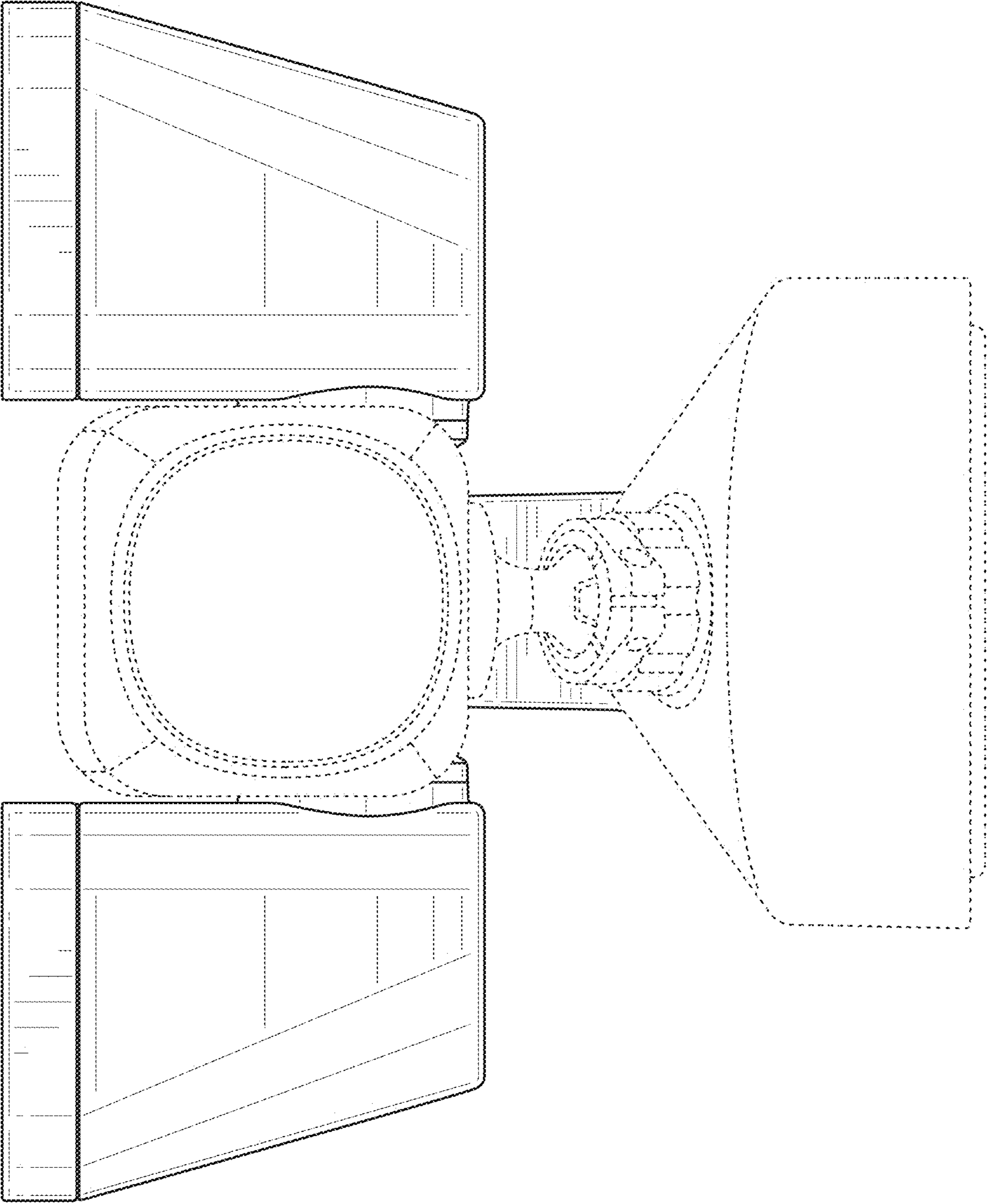
**FIG. 7**



**FIG. 8**



**FIG. 9**



**FIG. 10**