

US00D894460S

(12) **United States Design Patent** (10) **Patent No.:** **US D894,460 S**
Yu (45) **Date of Patent:** **** Aug. 25, 2020**

(54) **STAGE LIGHT**

(71) Applicant: **Xiaoe Yu**, Guangdong (CN)

(72) Inventor: **Xiaoe Yu**, Guangdong (CN)

(**) Term: **15 Years**

(21) Appl. No.: **29/667,809**

(22) Filed: **Oct. 24, 2018**

(51) **LOC (12) Cl.** **26-05**

(52) **U.S. Cl.**
USPC **D26/63**

(58) **Field of Classification Search**
USPC D26/1, 24, 28, 29, 44, 46, 61, 63, 119,
D26/123, 124; 362/227, 217.1, 217.12,
362/217.13, 217.16, 217.17, 249.07
CPC F21V 29/74; F21V 29/83; F21V 29/763;
F21V 15/00; F21V 15/01; F21V 15/04;
F21V 15/012; F21V 21/06; F21V 21/15;
F21V 21/30; F21W 2131/10; F21W
2131/40; F21W 2131/406; F21W
2131/1005

See application file for complete search history.

(56) **References Cited**

U.S. PATENT DOCUMENTS

D589,636 S * 3/2009 Pinette D26/63
D664,285 S * 7/2012 Toft F21V 21/30
D26/118
D689,232 S * 9/2013 Velazquez F21V 23/009
D26/63

D739,064 S * 9/2015 Heiner D26/63
D747,516 S * 1/2016 Yang D26/28
D815,769 S * 4/2018 Gong D26/63
D845,530 S * 4/2019 Yu D26/63
D858,839 S * 9/2019 Deng D26/63
D858,841 S * 9/2019 Deng D26/63
D861,202 S * 9/2019 Renvall D26/28
D866,835 S * 11/2019 Amin D26/63
2013/0027934 A1 * 1/2013 Velazquez F21V 23/009
362/249.01
2017/0079108 A1 * 3/2017 Campetella F21K 9/62

* cited by examiner

Primary Examiner — Wan Laymon
Assistant Examiner — Clint A Samuel

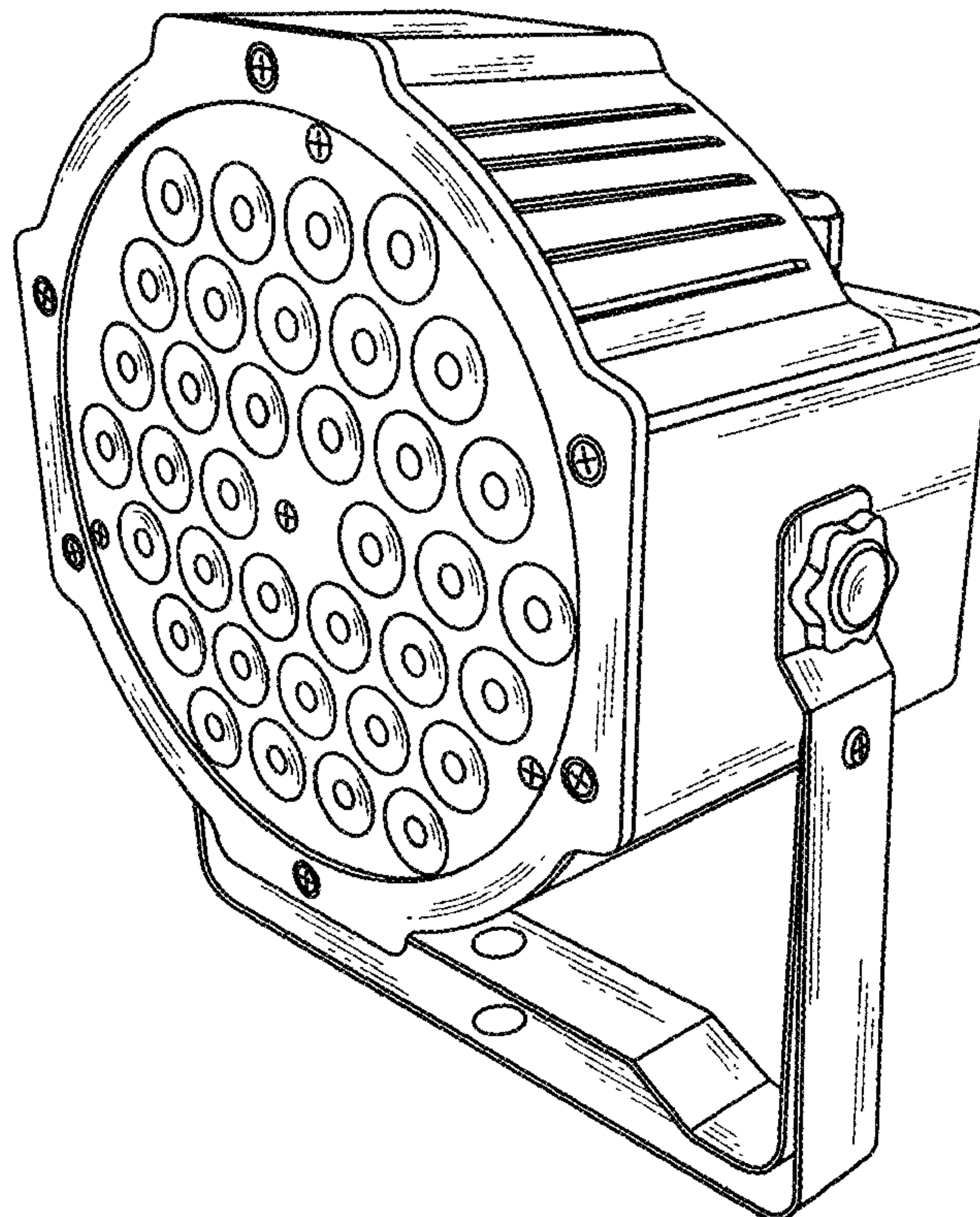
(57) **CLAIM**

I claim the ornamental design for a stage light, as shown and described.

DESCRIPTION

FIG. 1 is a perspective view of a stage light showing my new design;
FIG. 2 is a front elevational view thereof;
FIG. 3 is a rear elevational view thereof;
FIG. 4 is a left side elevational view thereof;
FIG. 5 is a right side elevational view thereof;
FIG. 6 is a top plan view thereof; and,
FIG. 7 is a bottom plan view thereof.
The broken lines in the drawings depict portions of the stage light that form no part of the claimed design.

1 Claim, 7 Drawing Sheets



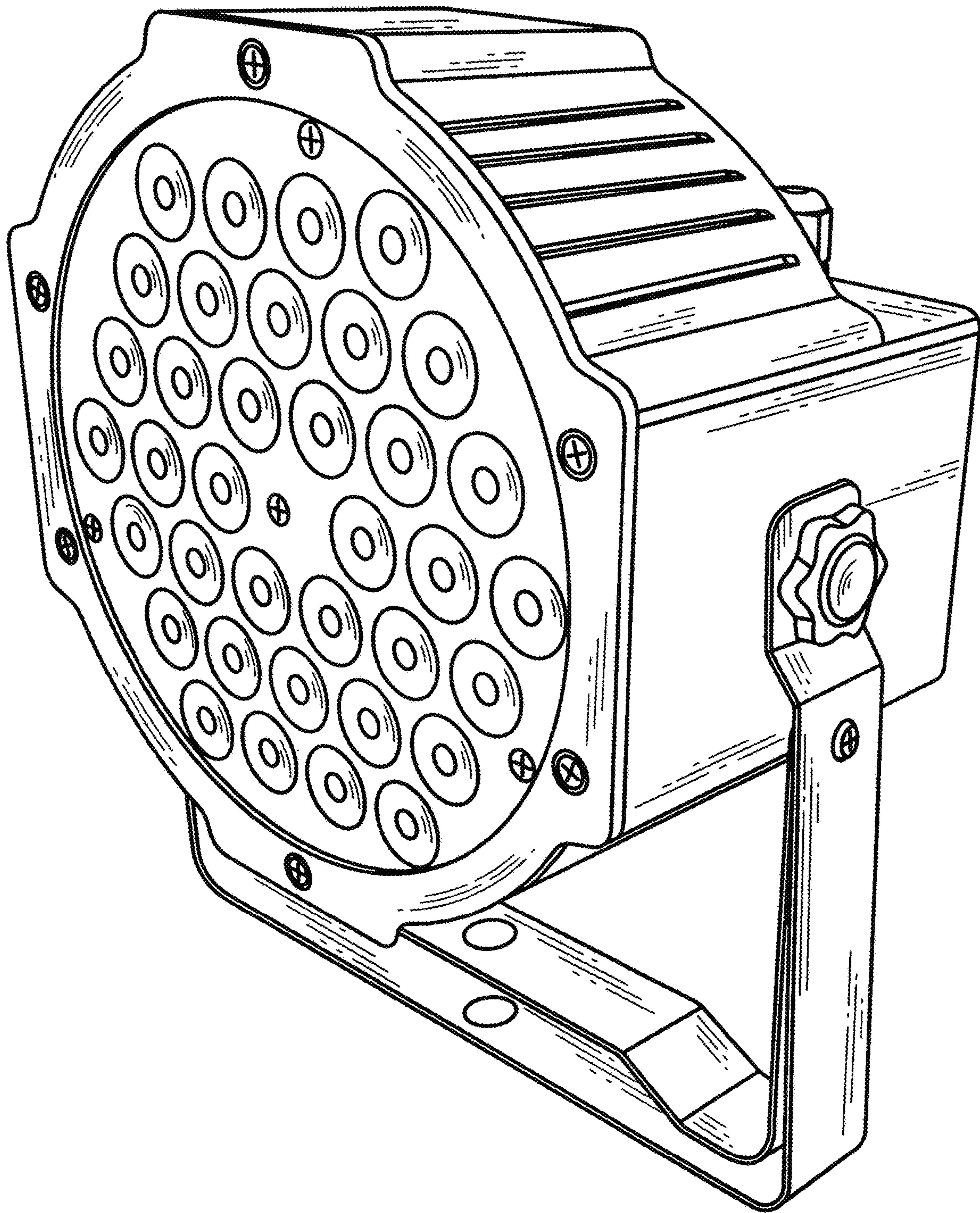


FIG. 1

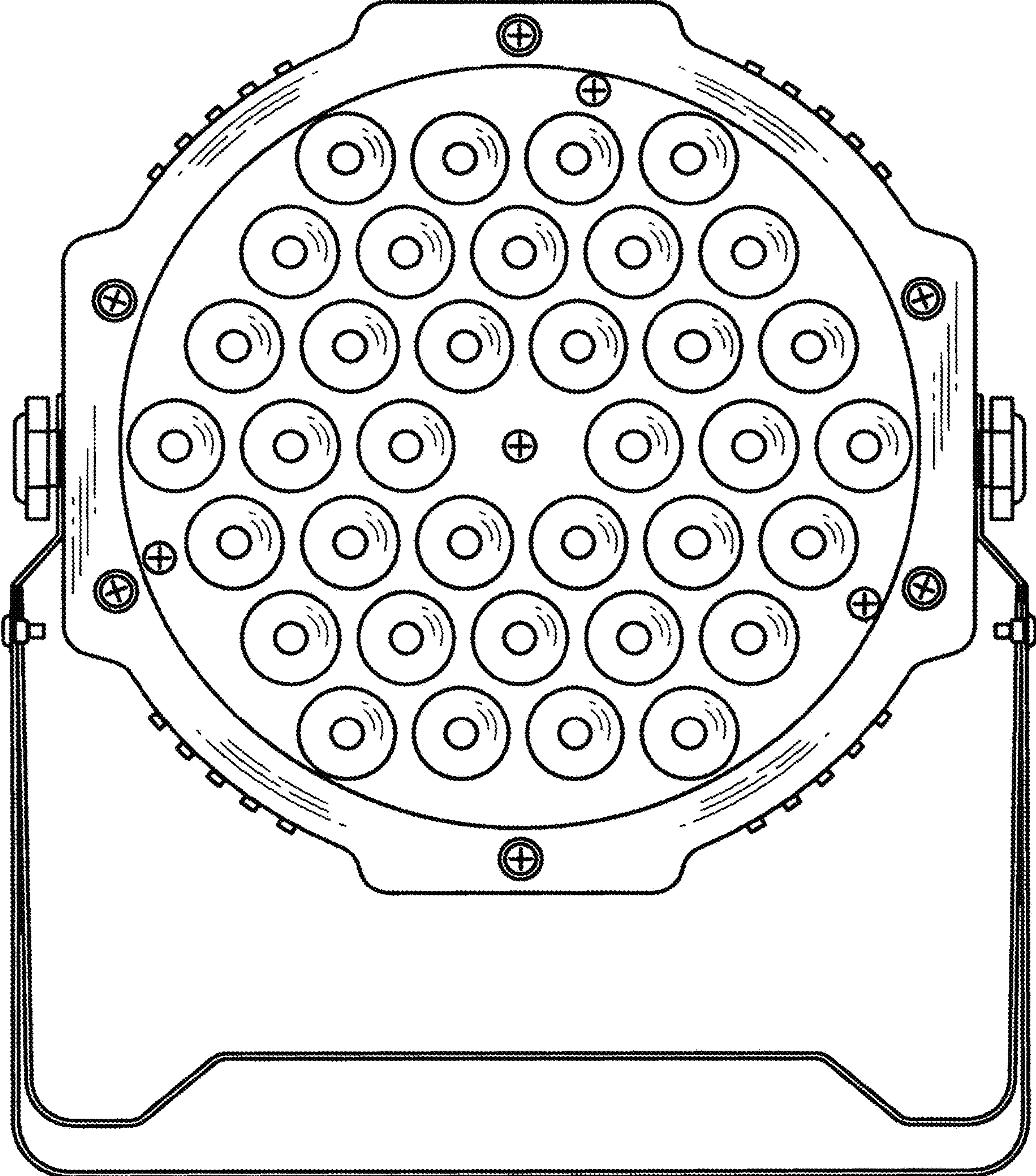


FIG. 2

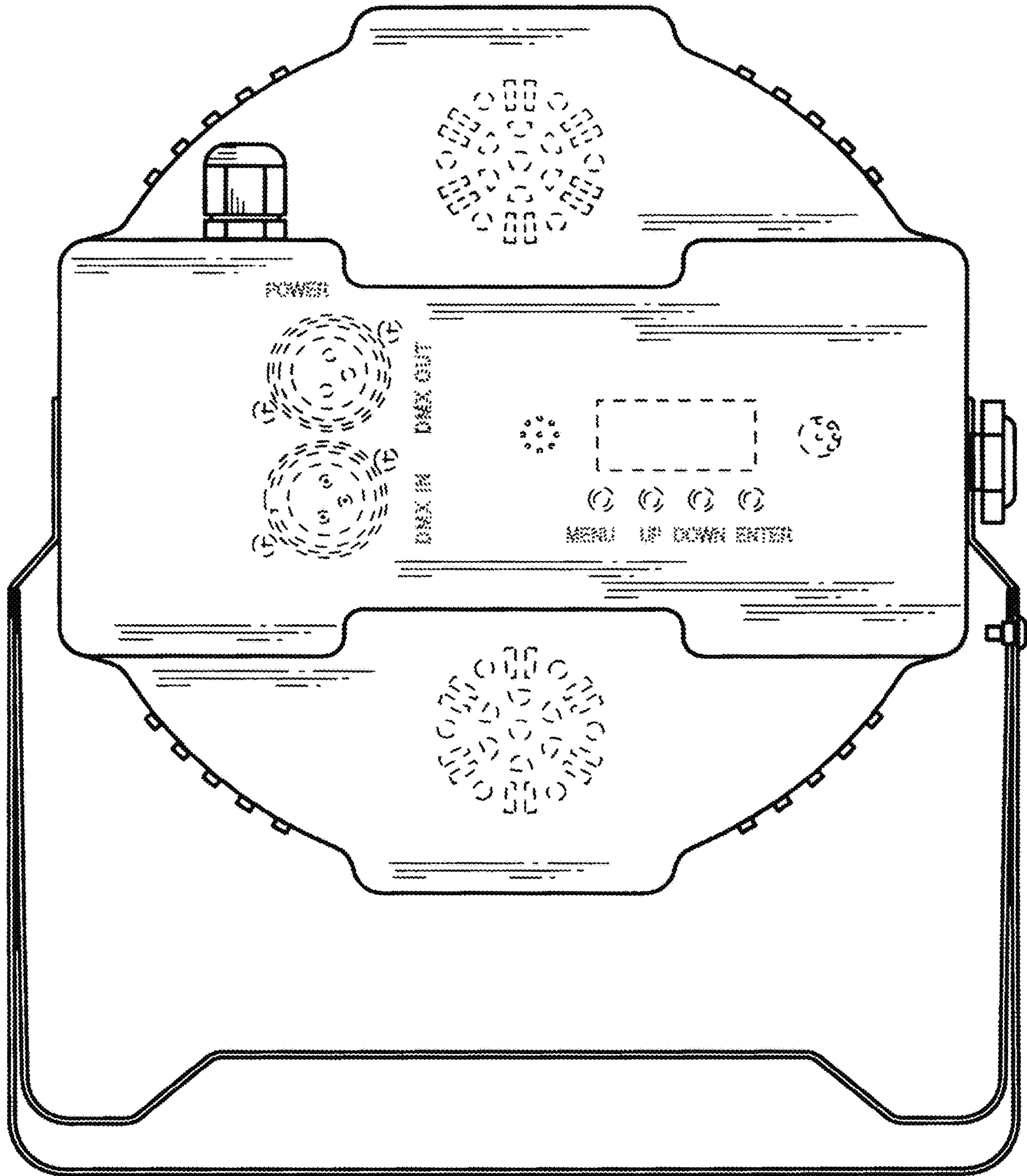


FIG. 3

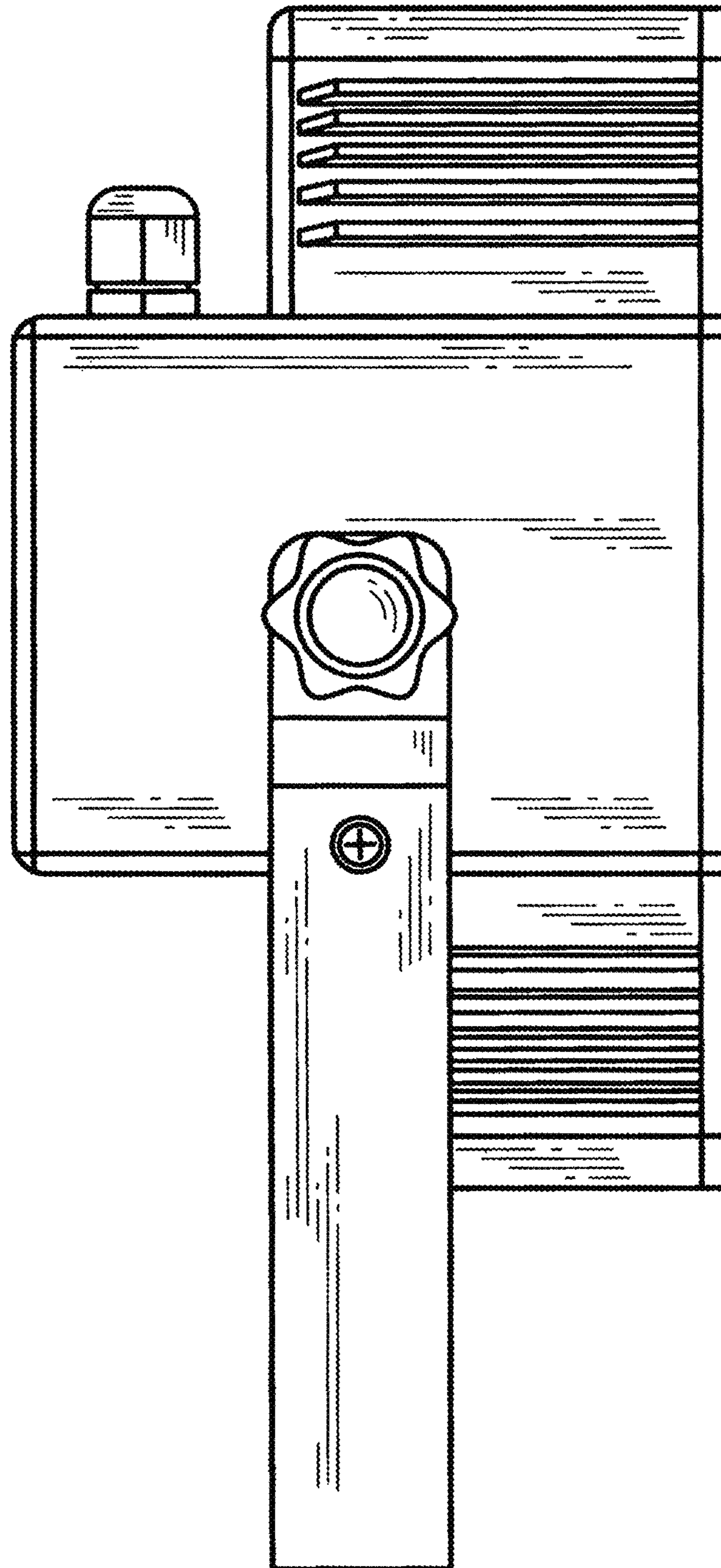


FIG. 4

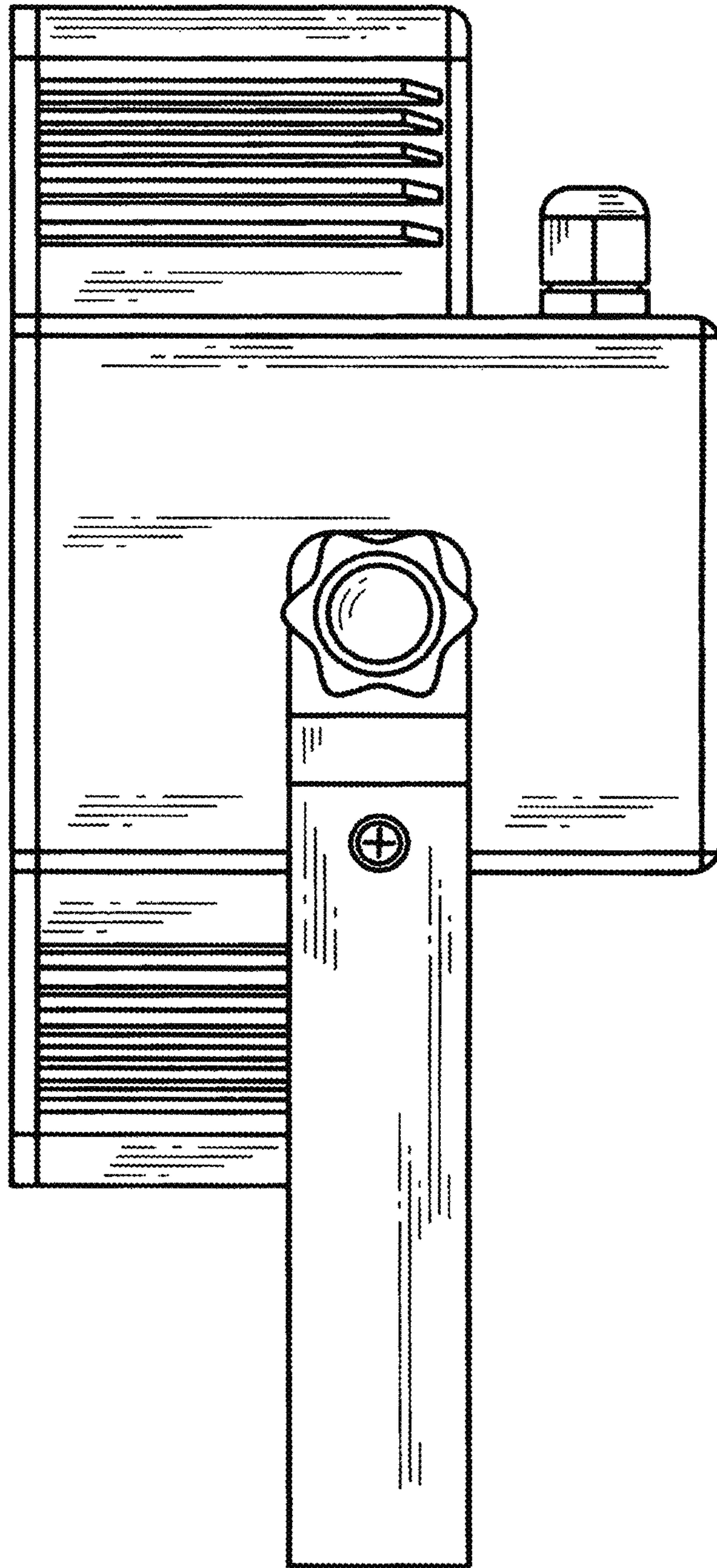


FIG. 5

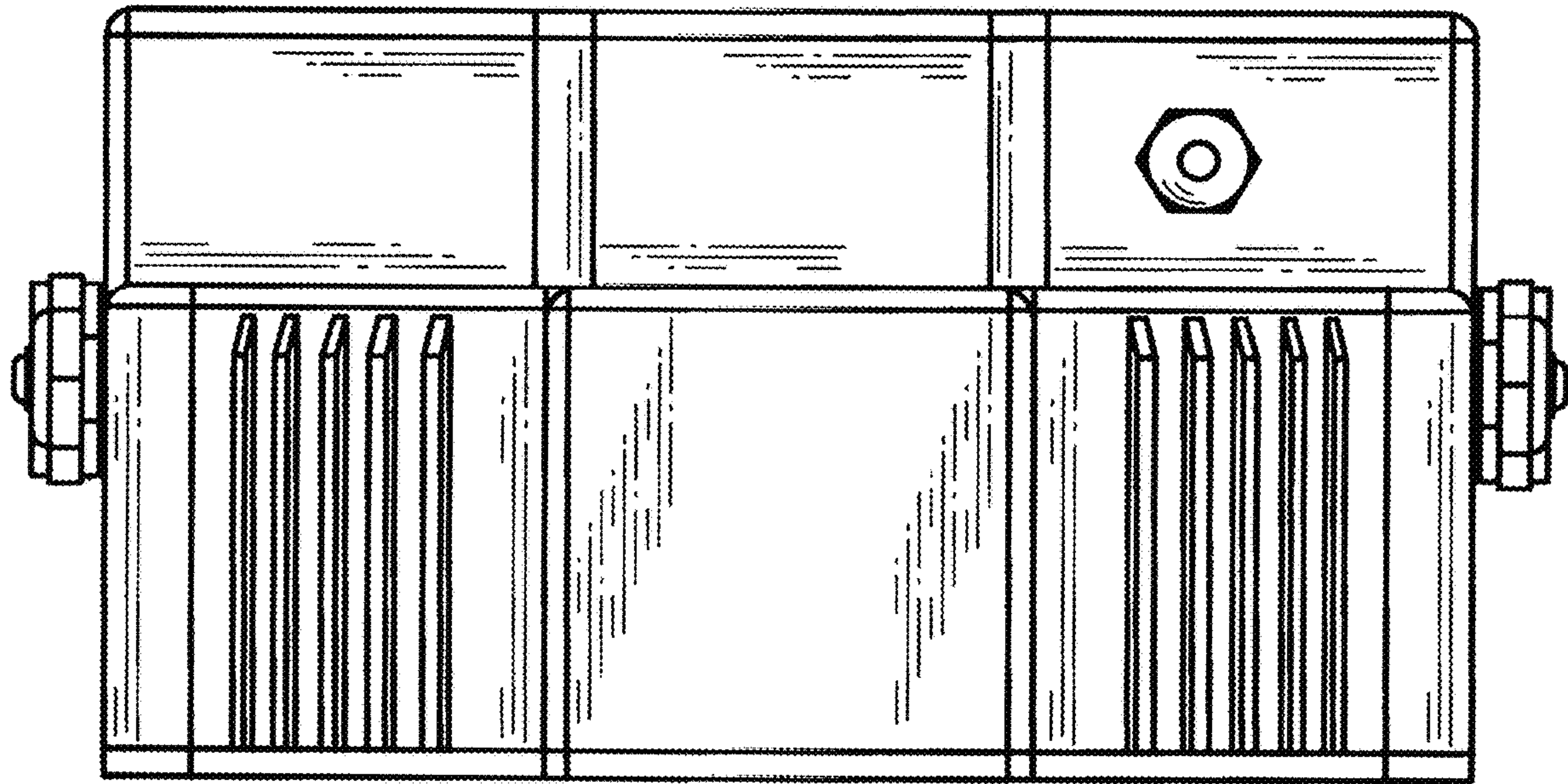


FIG. 6

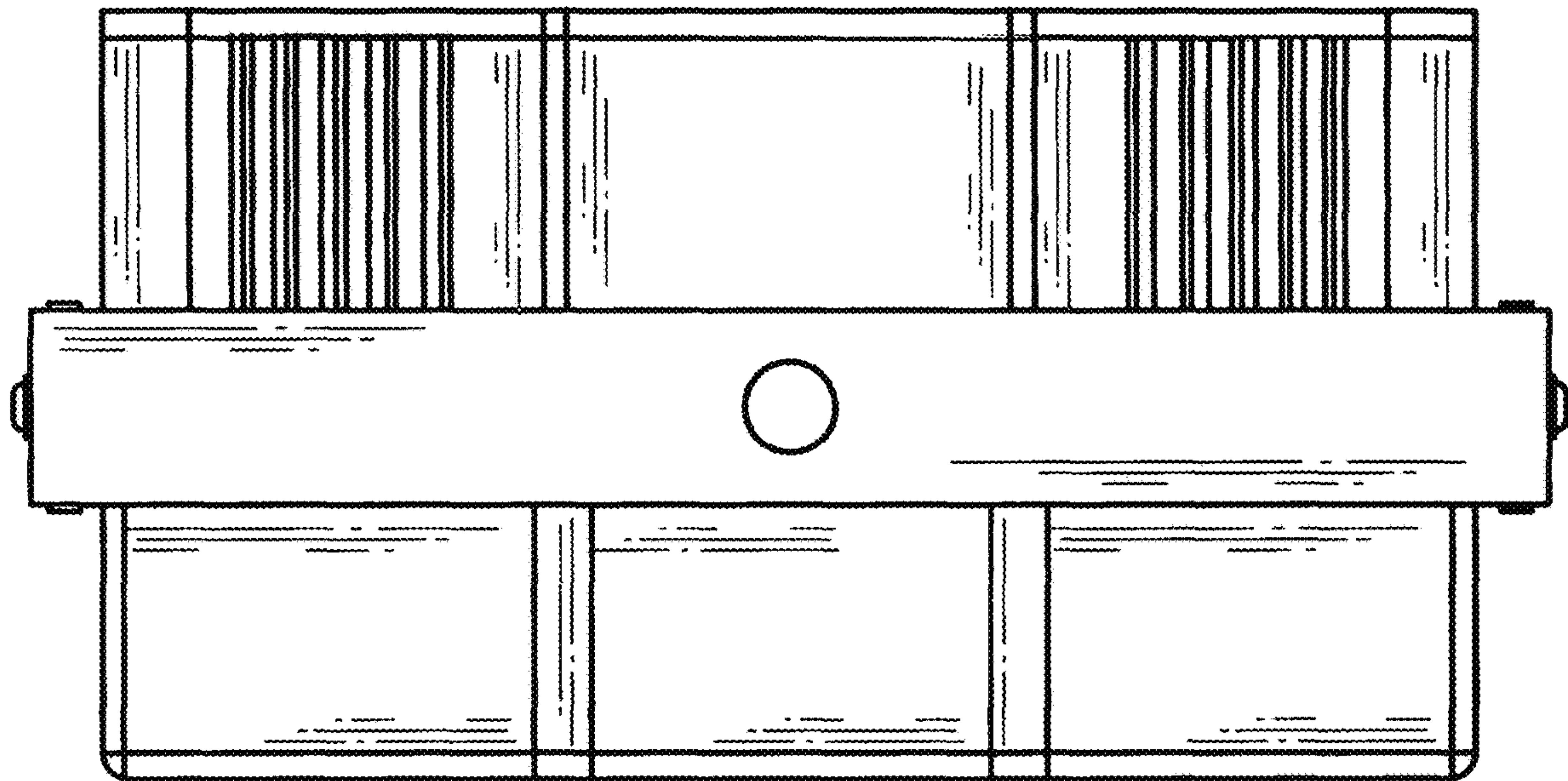


FIG. 7