



US00D894459S

(12) **United States Design Patent**  
**Smith et al.**

(10) **Patent No.:** **US D894,459 S**

(45) **Date of Patent:** **\*\* Aug. 25, 2020**

(54) **CLIP STYLE LIGHT**

**DESCRIPTION**

- (71) Applicant: **Sol-Light, LLC**, Las Vegas, NV (US)
- (72) Inventors: **John Smith**, San Francisco, CA (US);  
**Yan Kit Koo**, Hong Kong (HK); **David Nelson**, Las Vegas, NV (US)
- (73) Assignee: **Sol-Light, LLC.**, Las Vegas, NV (US)
- (\*\*) Term: **15 Years**
- (21) Appl. No.: **29/671,045**
- (22) Filed: **Nov. 21, 2018**
- (51) **LOC (12) Cl.** ..... **26-03**
- (52) **U.S. Cl.**  
USPC ..... **D26/60**
- (58) **Field of Classification Search**  
USPC ..... D26/1, 24, 60, 61, 62, 72, 93, 106, 118,  
D26/107  
CPC .... F21S 6/00; F21S 6/002; F21S 6/003; F21S  
6/004; F21S 6/005; F21S 6/006; F21S  
6/007; F21V 21/02; F21V 21/088; F21W  
2121/00; F21W 2131/30  
See application file for complete search history.

FIG. 1 is a front perspective view of a clip style light showing our new design;  
 FIG. 2 is a front view thereof;  
 FIG. 3 is a rear view thereof;  
 FIG. 4 is a left side view thereof;  
 FIG. 5 is a right side view thereof;  
 FIG. 6 is a top view thereof;  
 FIG. 7 is a bottom view thereof;  
 FIG. 8 is a bottom perspective view thereof;  
 FIG. 9 is an enlarged view of the claimed portion of the design as shown in FIG. 1 with environment removed for clarity purposes;  
 FIG. 10 is an enlarged view of the claimed portion of the design as shown in FIG. 2 with environment removed for clarity purposes;  
 FIG. 11 is an enlarged view of the claimed portion of the design as shown in FIG. 3 with environment removed for clarity purposes;  
 FIG. 12 is an enlarged view of the claimed portion of the design as shown in FIG. 4 with environment removed for clarity purposes;  
 FIG. 13 is an enlarged view of the claimed portion of the design as shown in FIG. 5 with environment removed for clarity purposes;  
 FIG. 14 is an enlarged view of the claimed portion of the design as shown in FIG. 6 with environment removed for clarity purposes;  
 FIG. 15 is an enlarged view of the claimed portion of the design as shown in FIG. 7 with environment removed for clarity purposes; and,  
 FIG. 16 is an enlarged view of the claimed portion of the design as shown in FIG. 8 with environment removed for clarity purposes.  
 The broken lines immediately adjacent to the shaded areas represent the bounds of the claimed design and form no part thereof. The broken lines depicting the remainder of the clip style light show features that form no part of the claimed design.

(56) **References Cited**

**U.S. PATENT DOCUMENTS**

- 7,390,105 B2 \* 6/2008 Nelson ..... F21V 21/088  
362/198
- D636,918 S \* 4/2011 Nelson ..... D26/60
- D822,865 S \* 7/2018 Fassi ..... D26/60
- D825,823 S \* 8/2018 Ren ..... D26/60

(Continued)

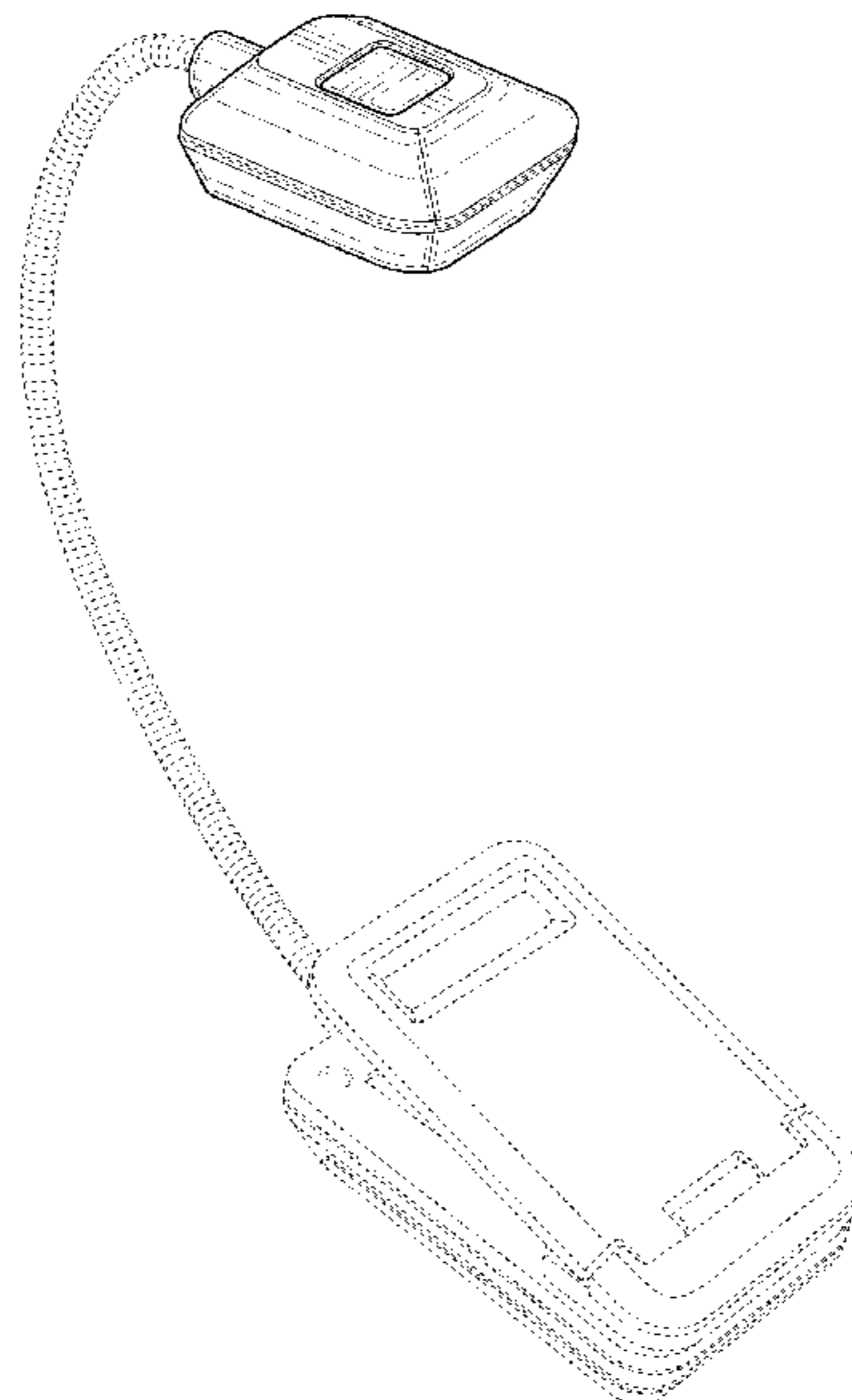
*Primary Examiner* — Brian N. Vinson

(74) *Attorney, Agent, or Firm* — Banner & Witcoff, Ltd.

(57) **CLAIM**

The ornamental design for a clip style light, as shown and described.

**1 Claim, 16 Drawing Sheets**



(56)

**References Cited**

U.S. PATENT DOCUMENTS

D838,888 S *	1/2019	Shengbiao .....	D26/60
D861,219 S *	9/2019	Shengbiao .....	D26/60
D861,944 S *	10/2019	Wu .....	D26/60
D870,942 S *	12/2019	Yang .....	D26/60

\* cited by examiner

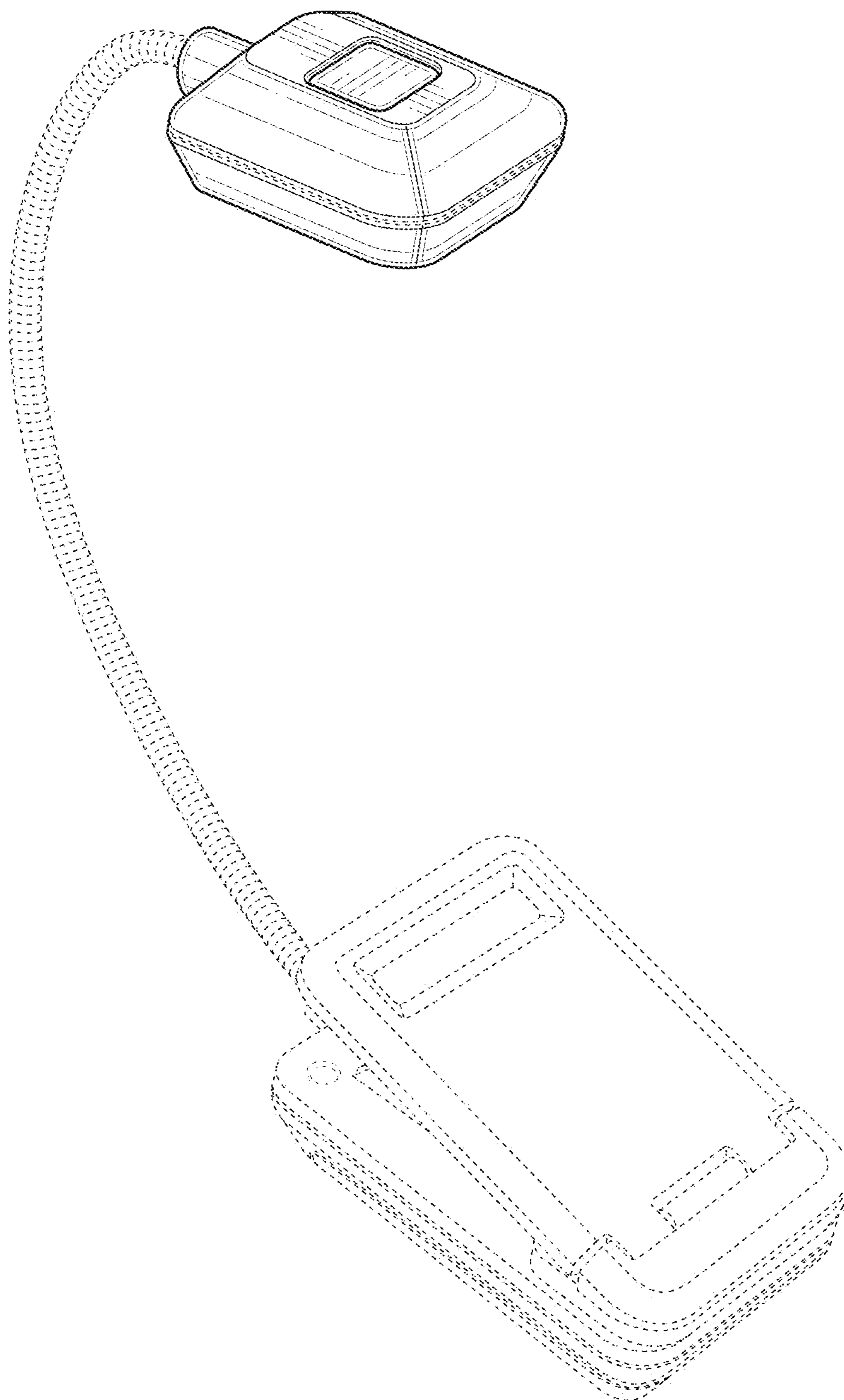
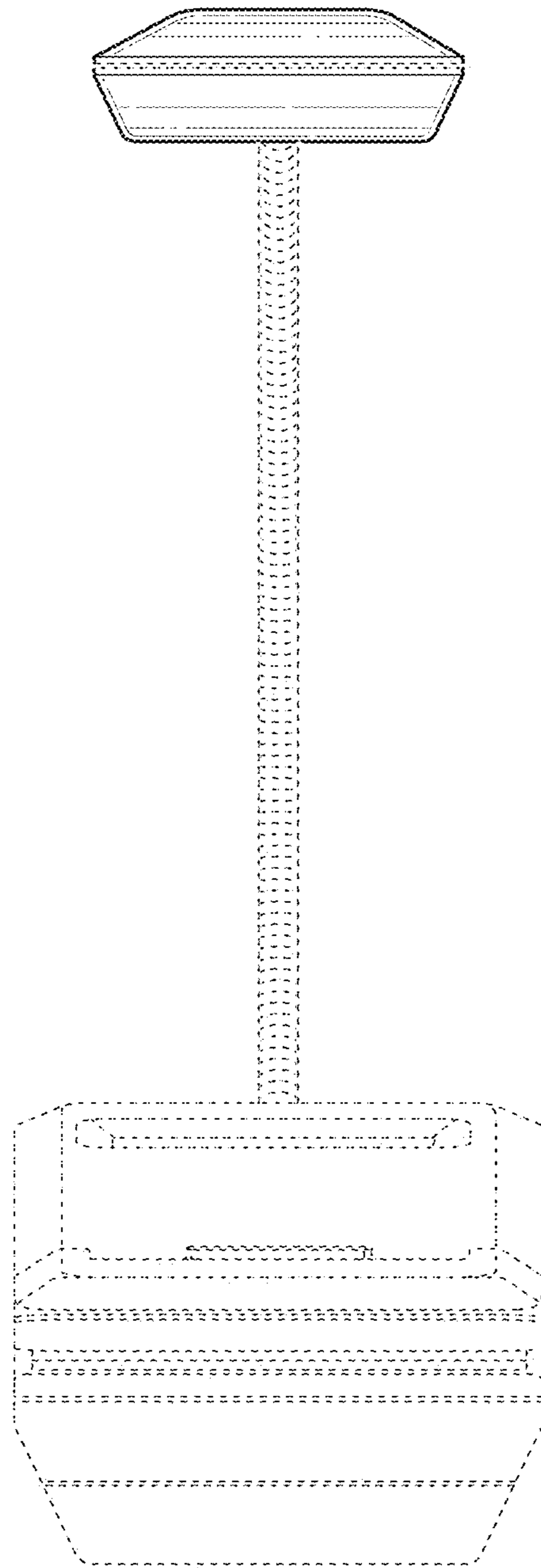
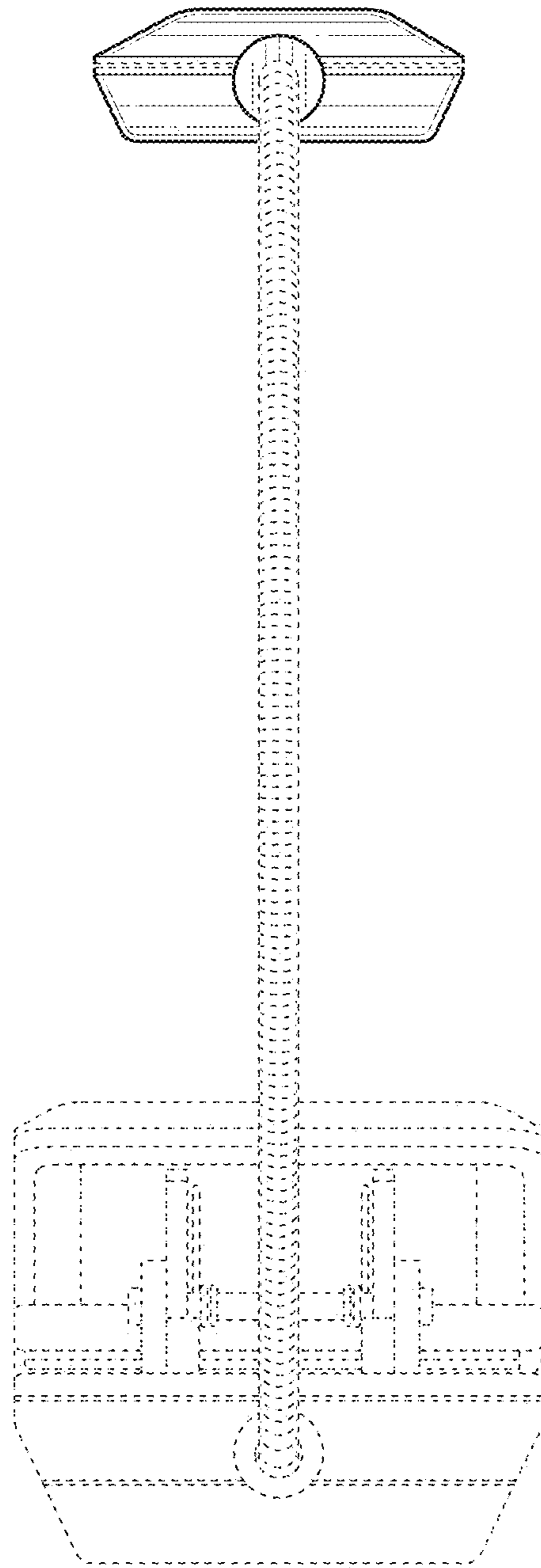


FIG. 1



**FIG. 2**



**FIG. 3**

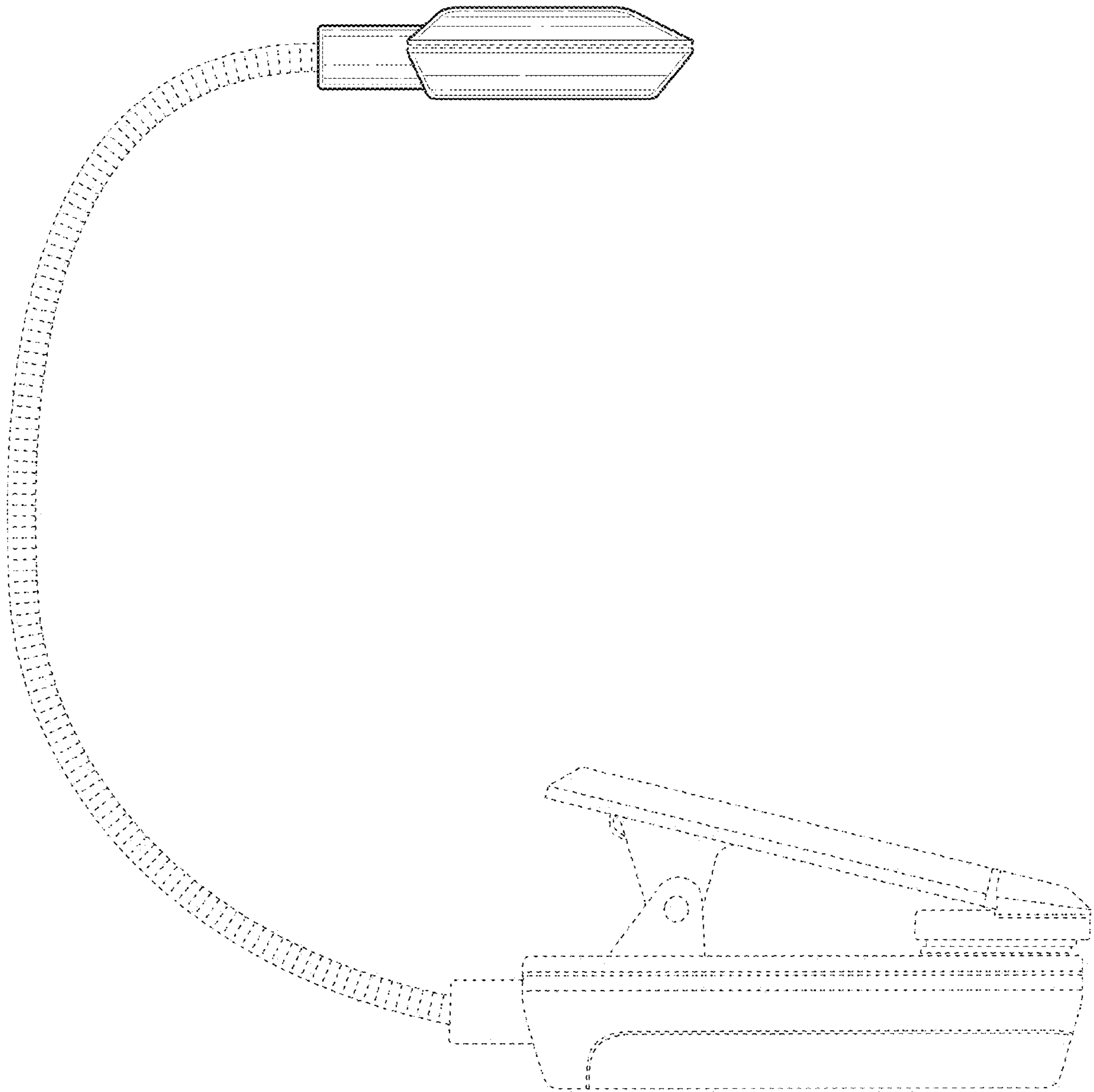


FIG. 4

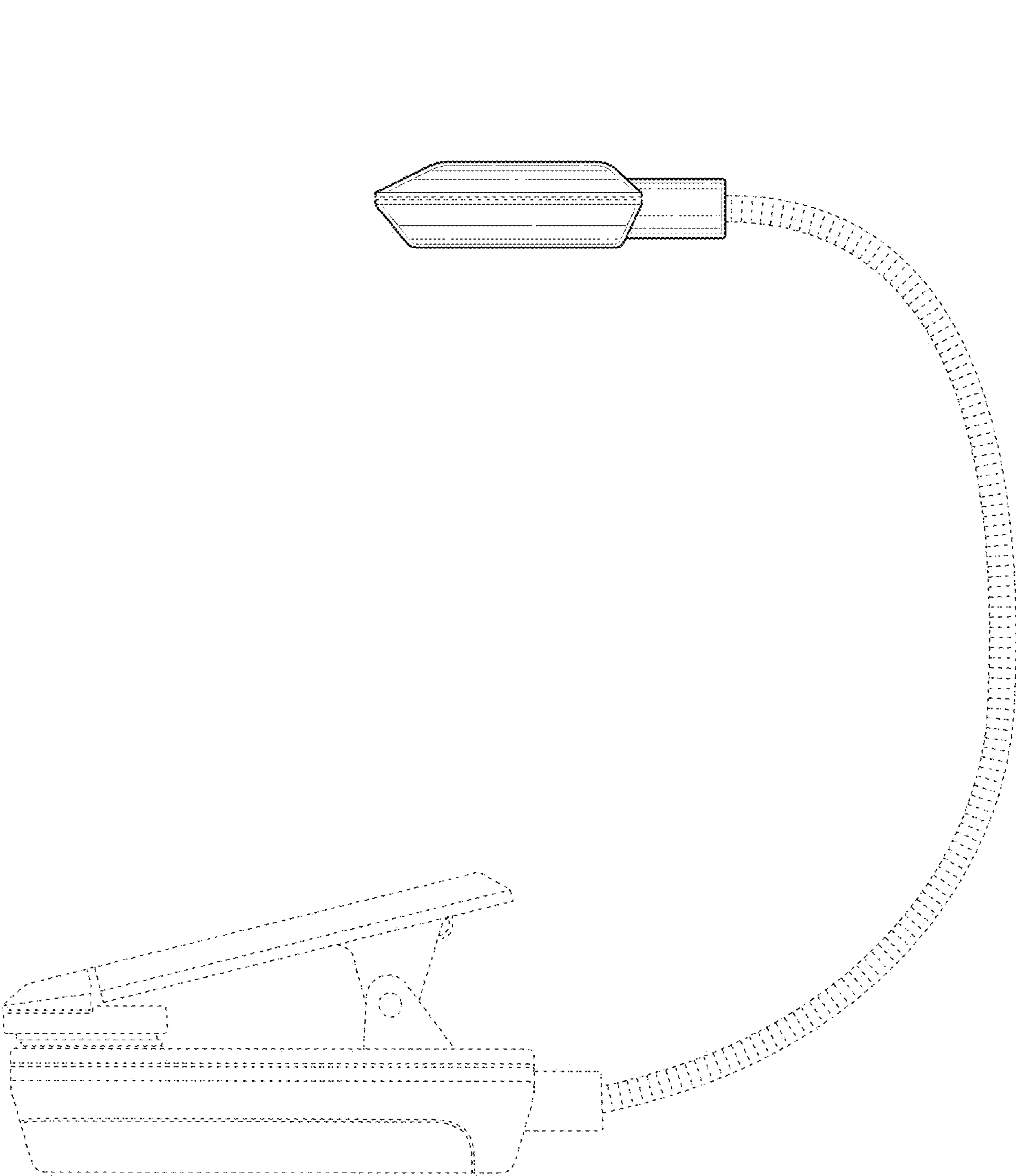
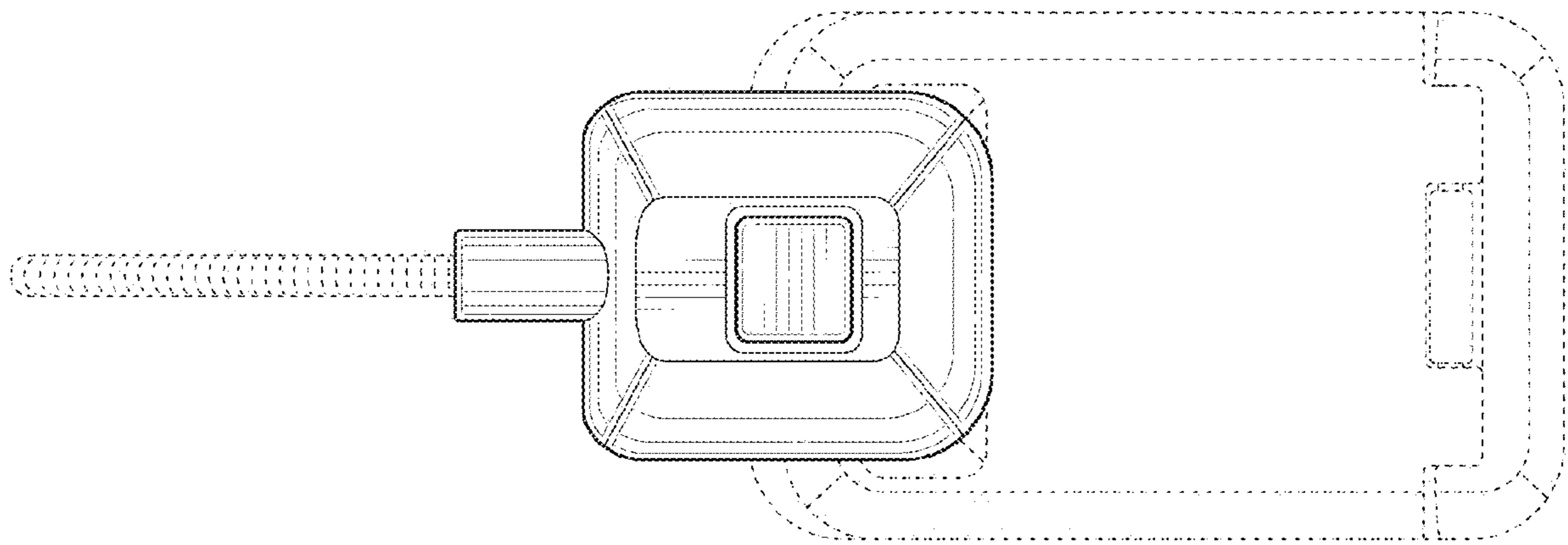


FIG. 5



**FIG. 6**



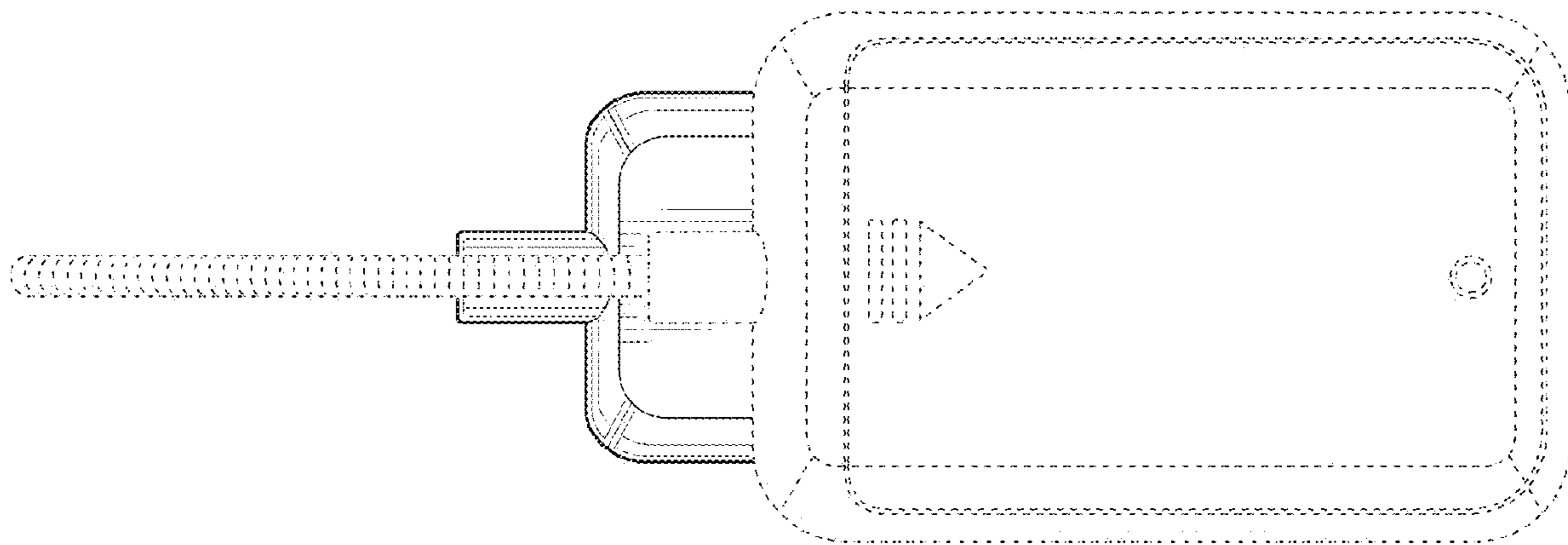


FIG. 7

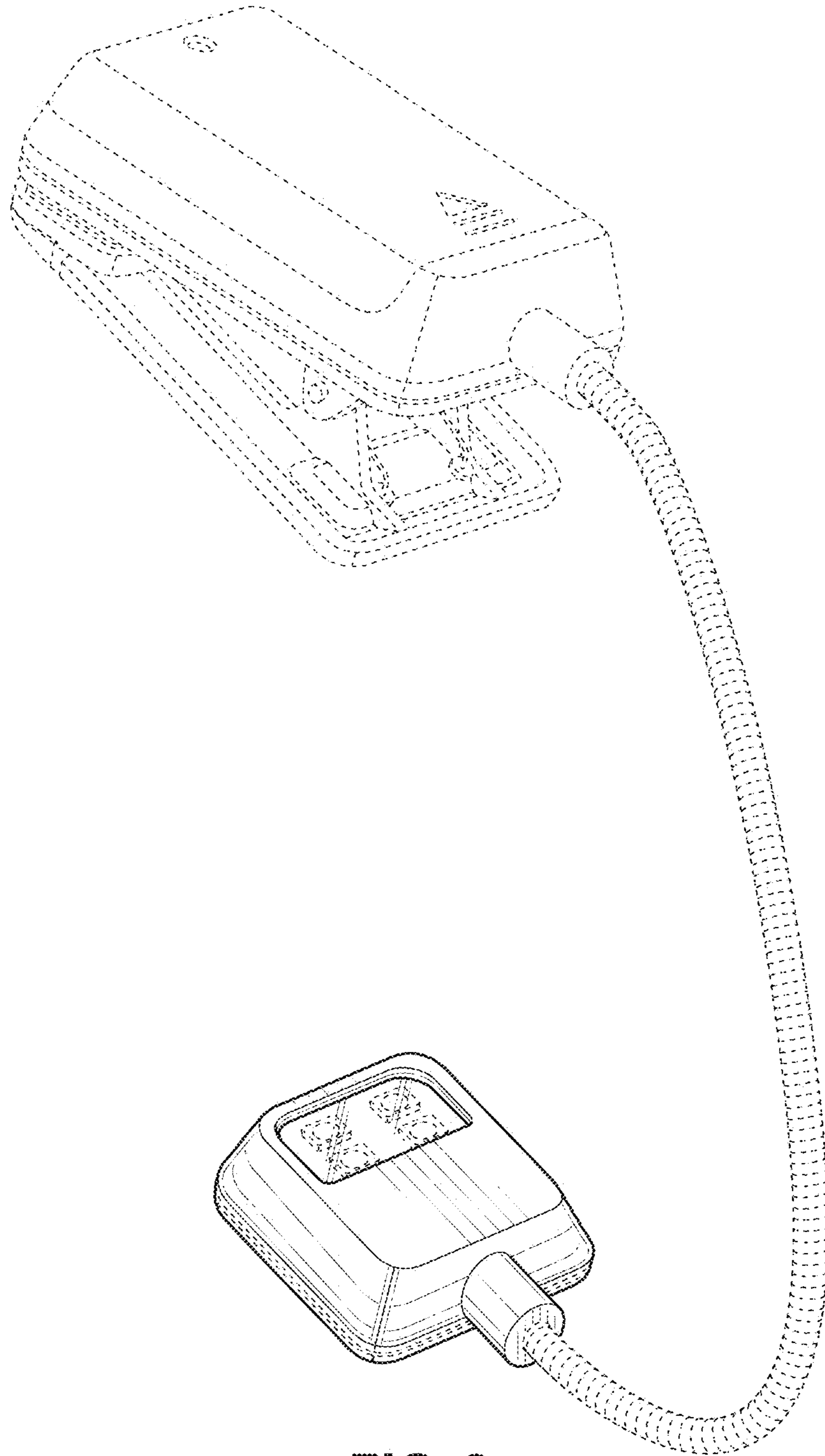
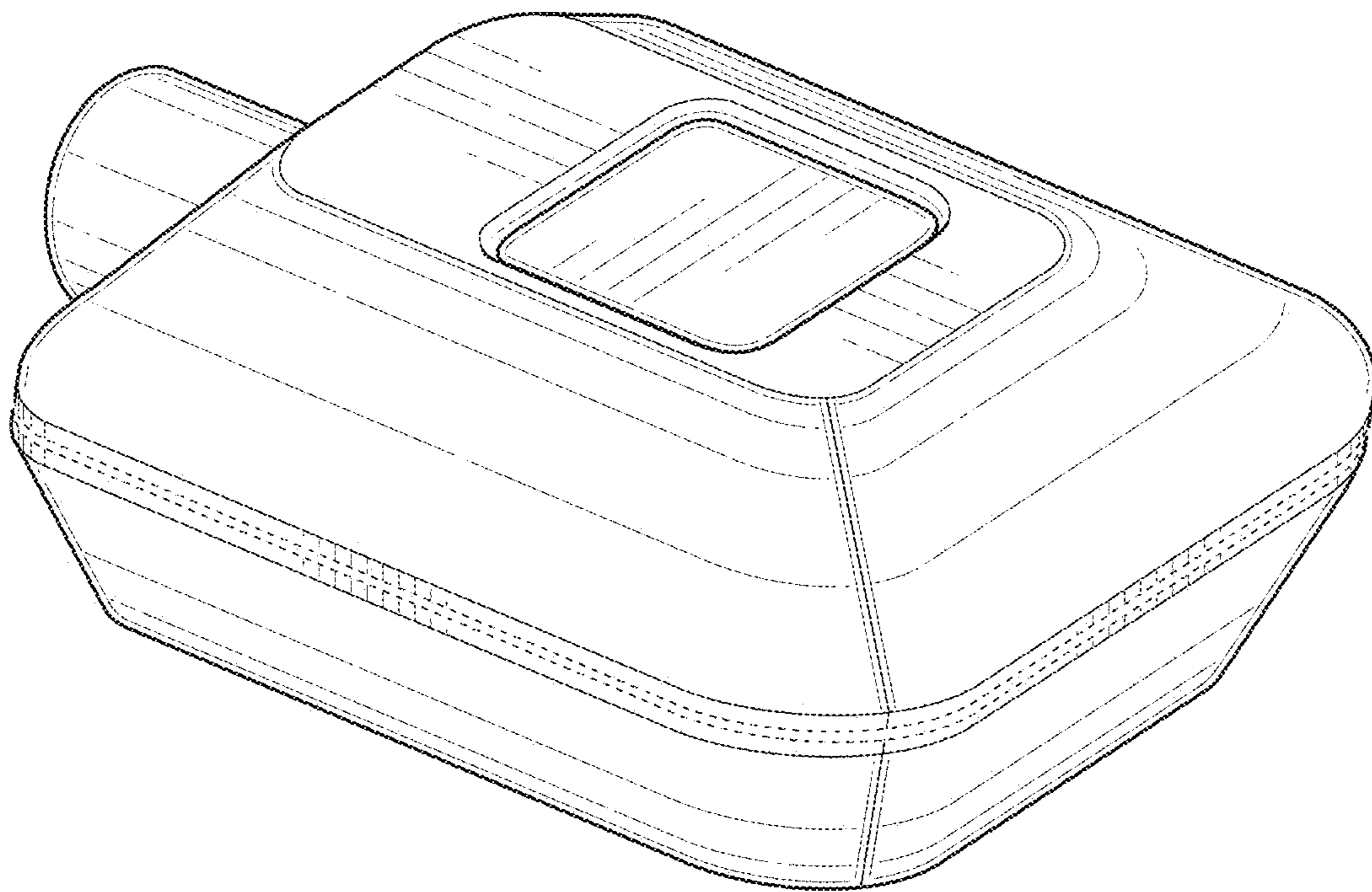
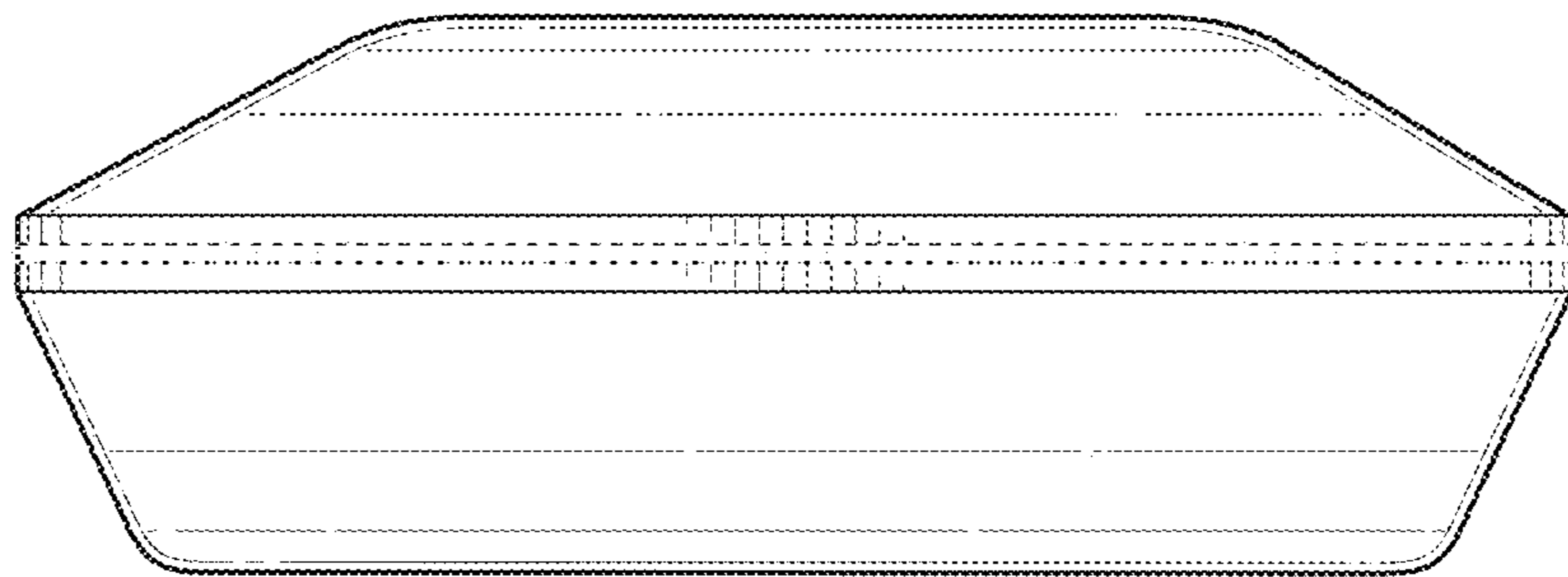


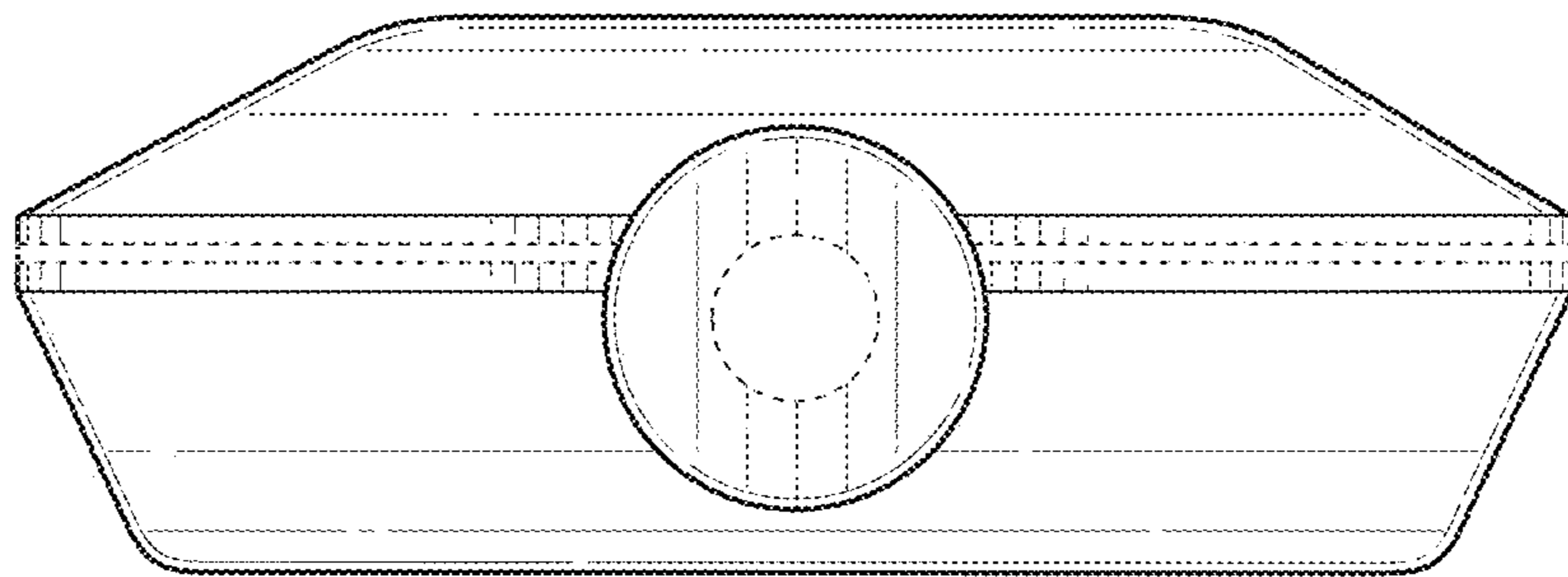
FIG. 8



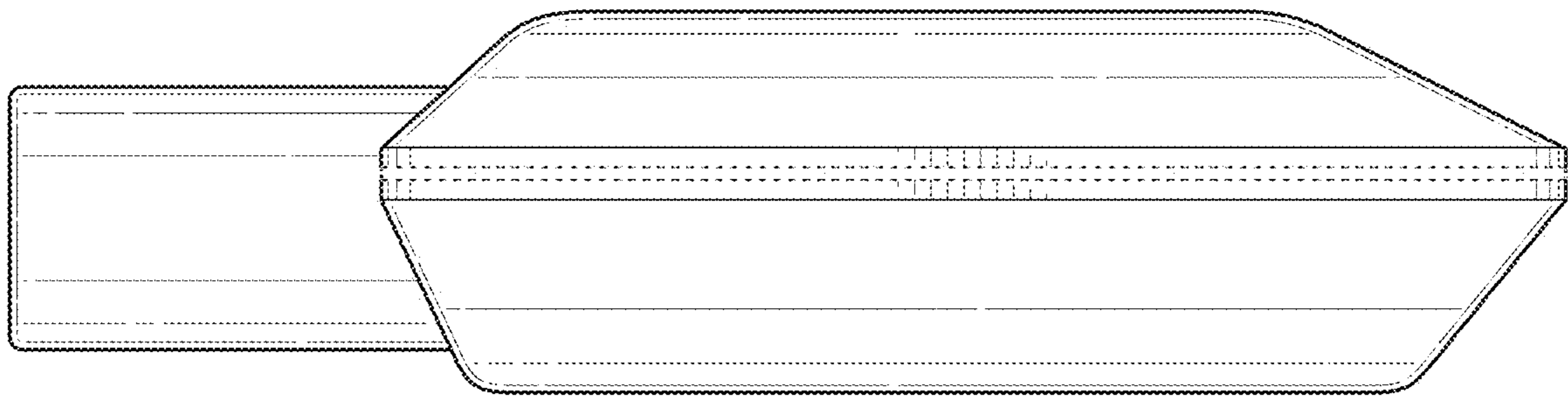
**FIG. 9**



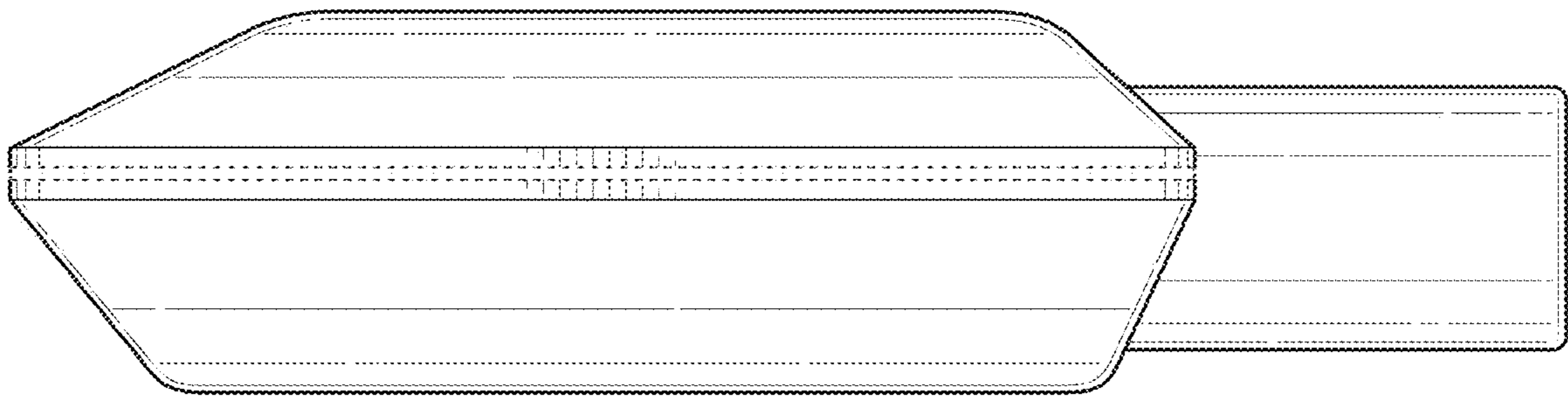
**FIG. 10**



**FIG. 11**



**FIG. 12**



**FIG. 13**

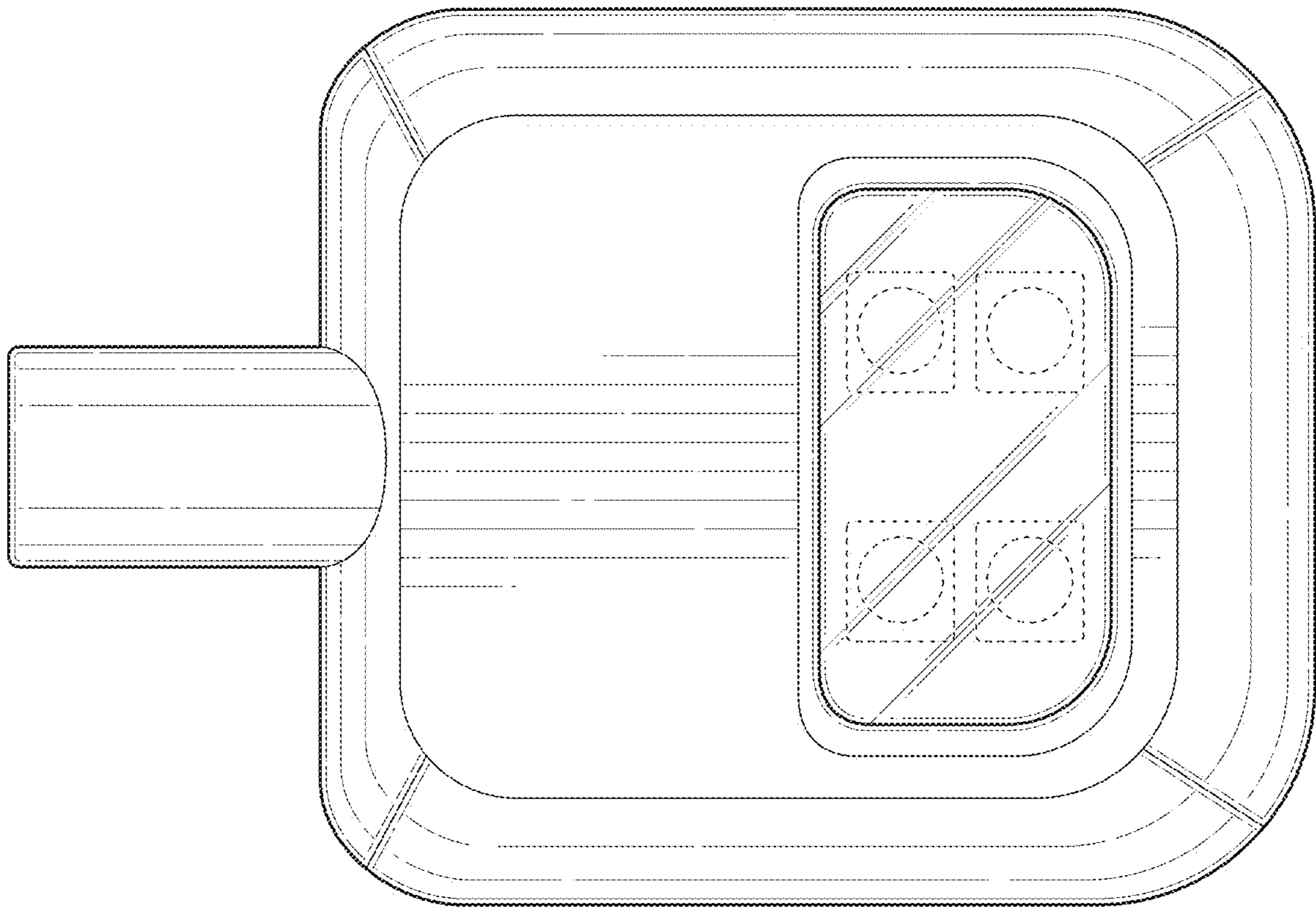


FIG. 14



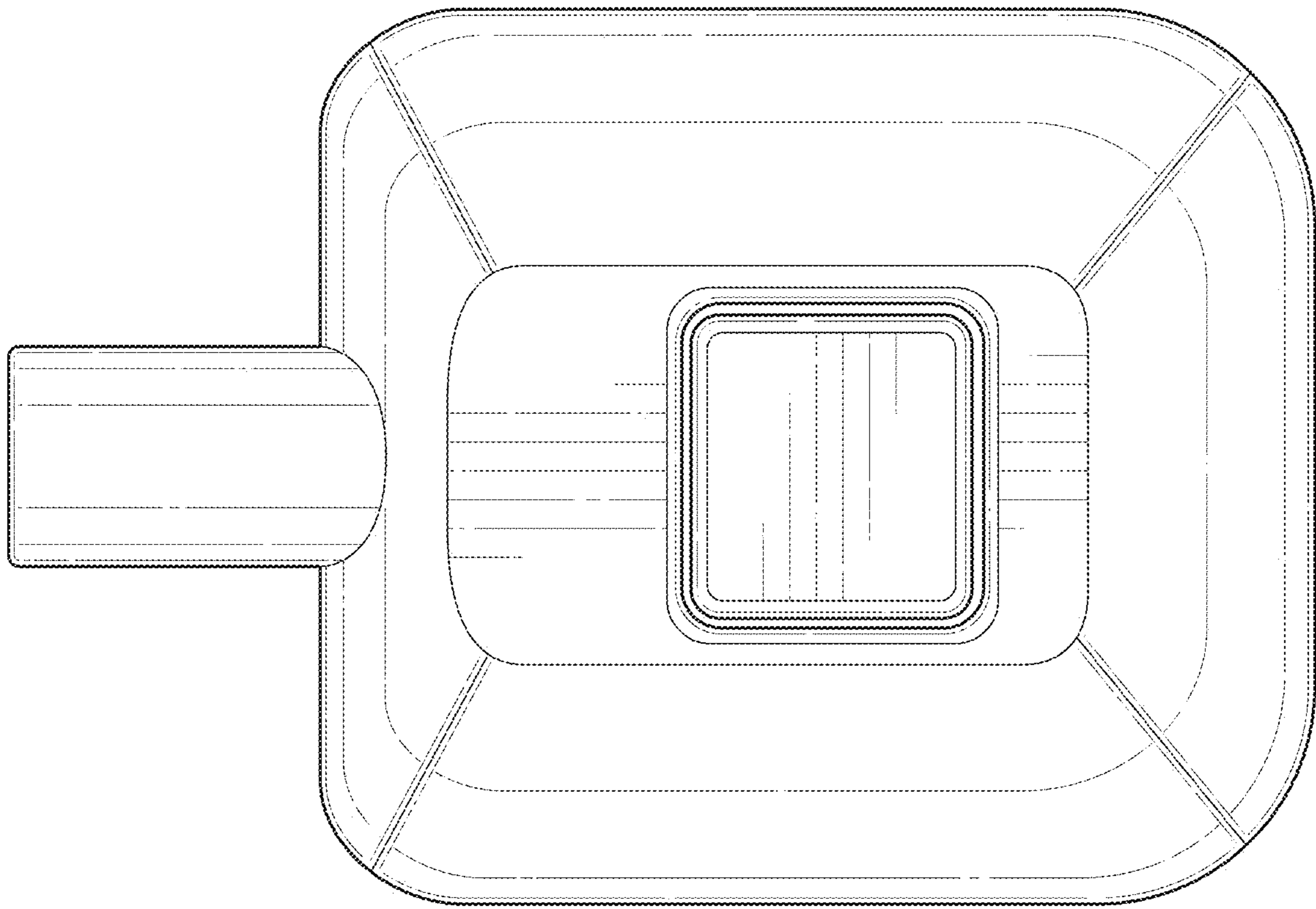


FIG. 15

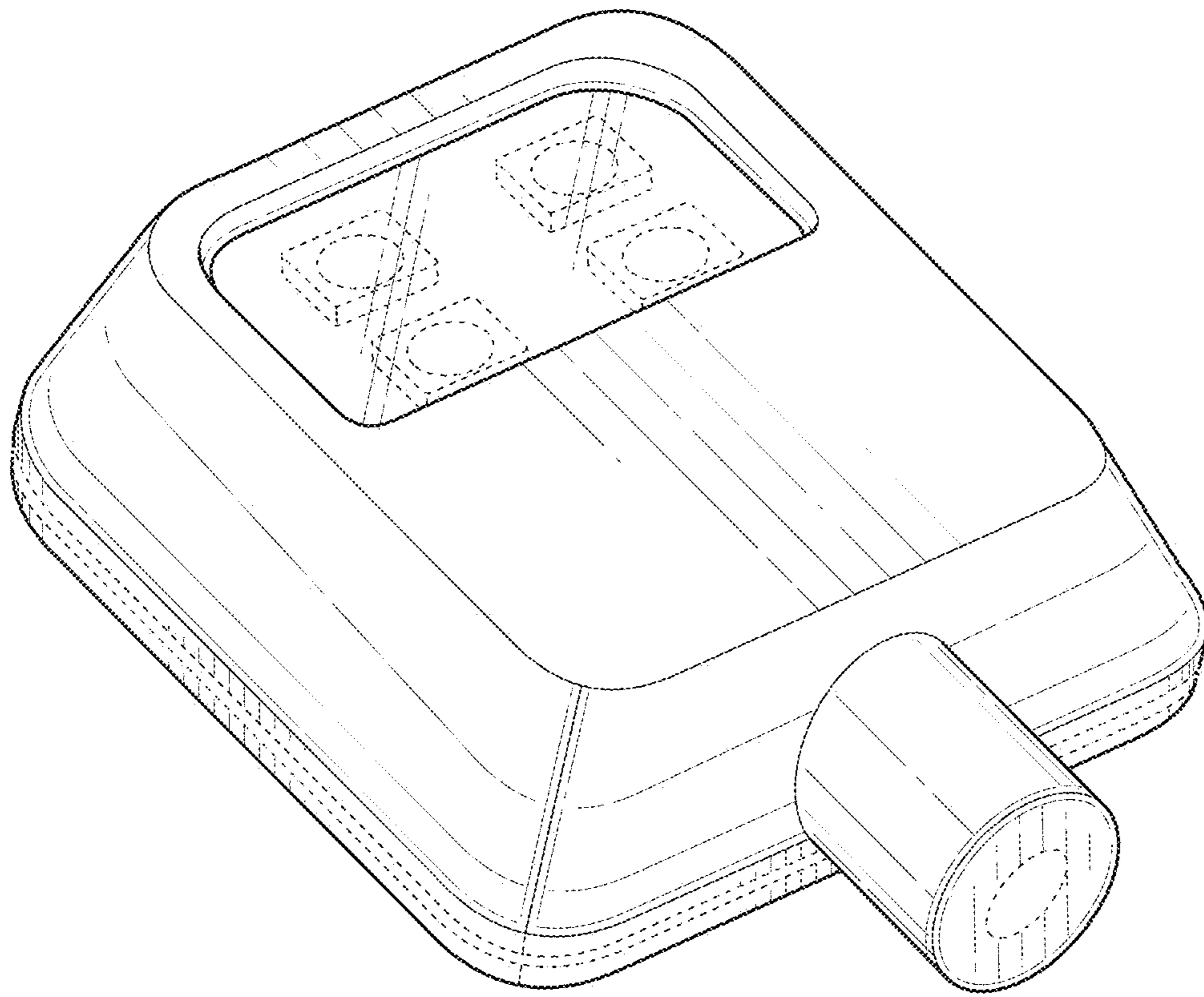


FIG. 16