



US00D894458S

(12) **United States Design Patent** (10) **Patent No.:** **US D894,458 S**
Holmes (45) **Date of Patent:** **** Aug. 25, 2020**

- (54) **CEILING FAN LIGHT KIT**
- (71) Applicant: **HUNTER FAN COMPANY**,
Memphis, TN (US)
- (72) Inventor: **Christine Holmes**, Memphis, TN (US)
- (73) Assignee: **Hunter Fan Company**, Memphis, TN
(US)
- (**) Term: **15 Years**
- (21) Appl. No.: **29/723,826**
- (22) Filed: **Feb. 11, 2020**

- D430,930 S 9/2000 Zuege
- D435,289 S 12/2000 Liu
- D449,396 S 10/2001 Campbell
- D451,191 S 11/2001 Goodman
- D462,756 S 9/2002 Liu
- D464,722 S 10/2002 Sonneman
- D476,406 S 6/2003 Friedes

(Continued)

OTHER PUBLICATIONS

<http://www.hunterfan.com/Ceiling-Fans/Perdido-Key?ModelNumber=59276>, Item Specification for Hunter 54" Perdido Key CAN—54" Ceiling Fan, Accessed Oct. 28, 2016.

(Continued)

Primary Examiner — Janice Hallmark

(74) *Attorney, Agent, or Firm* — McGarry Bair PC

Related U.S. Application Data

- (60) Continuation of application No. 29/644,200, filed on Apr. 16, 2018, now Pat. No. Des. 880,034, which is a continuation of application No. 29/619,325, filed on Sep. 28, 2017, now Pat. No. Des. 875,288, which is a division of application No. 29/588,573, filed on Dec. 21, 2016, now Pat. No. Des. 808,002.

(51) **LOC (12) Cl.** **26-05**

(52) **U.S. Cl.**
USPC **D26/59**; D26/87

(58) **Field of Classification Search**
USPC ... D26/59, 24, 118, 119, 121–124, 128–137, D26/87; D23/370, 377–382, 411–414
CPC F04D 25/088; F04D 29/38; F21V 21/03
See application file for complete search history.

(56) **References Cited**

U.S. PATENT DOCUMENTS

- D298,454 S 11/1988 Clyde-Mason
- D300,372 S * 3/1989 O'Dohanue D26/67
- D325,776 S 4/1992 Scofield et al.
- D345,790 S 4/1994 Caldwell
- D411,615 S 6/1999 Lo
- D428,982 S 8/2000 Oldenburg
- D430,280 S 8/2000 Huang

(57) **CLAIM**

The ornamental design for a ceiling fan light kit, as shown and described.

DESCRIPTION

The Applicant notes that there are related cases as U.S. Design patent application Ser. Nos. 29/816,630 and 29/718,907.

FIG. 1 is a bottom perspective view of a ceiling fan light kit shown in the environment of a ceiling fan, showing my new design;

FIG. 2 is a top perspective view of the ceiling fan light kit of FIG. 1, having the ceiling fan environment;

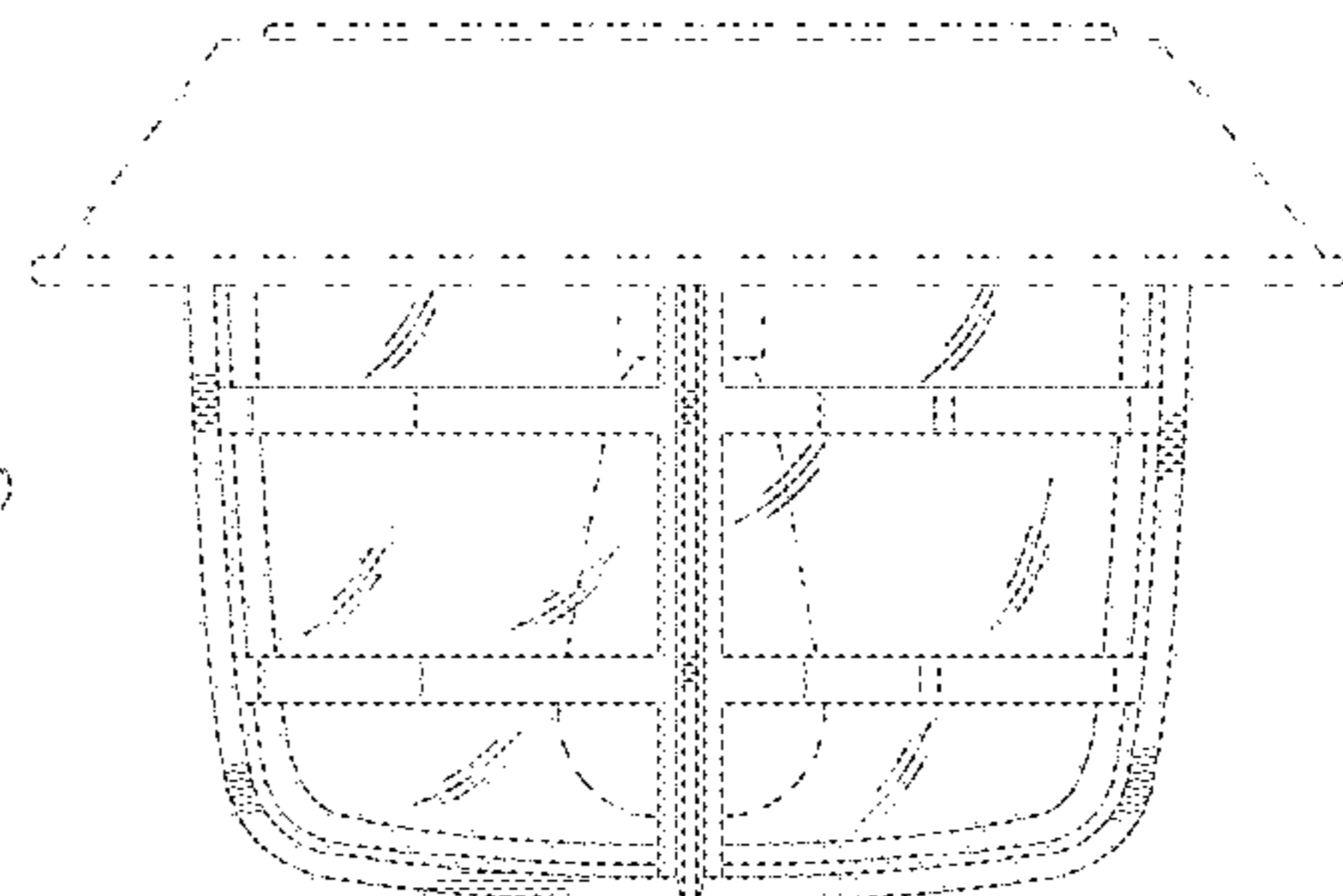
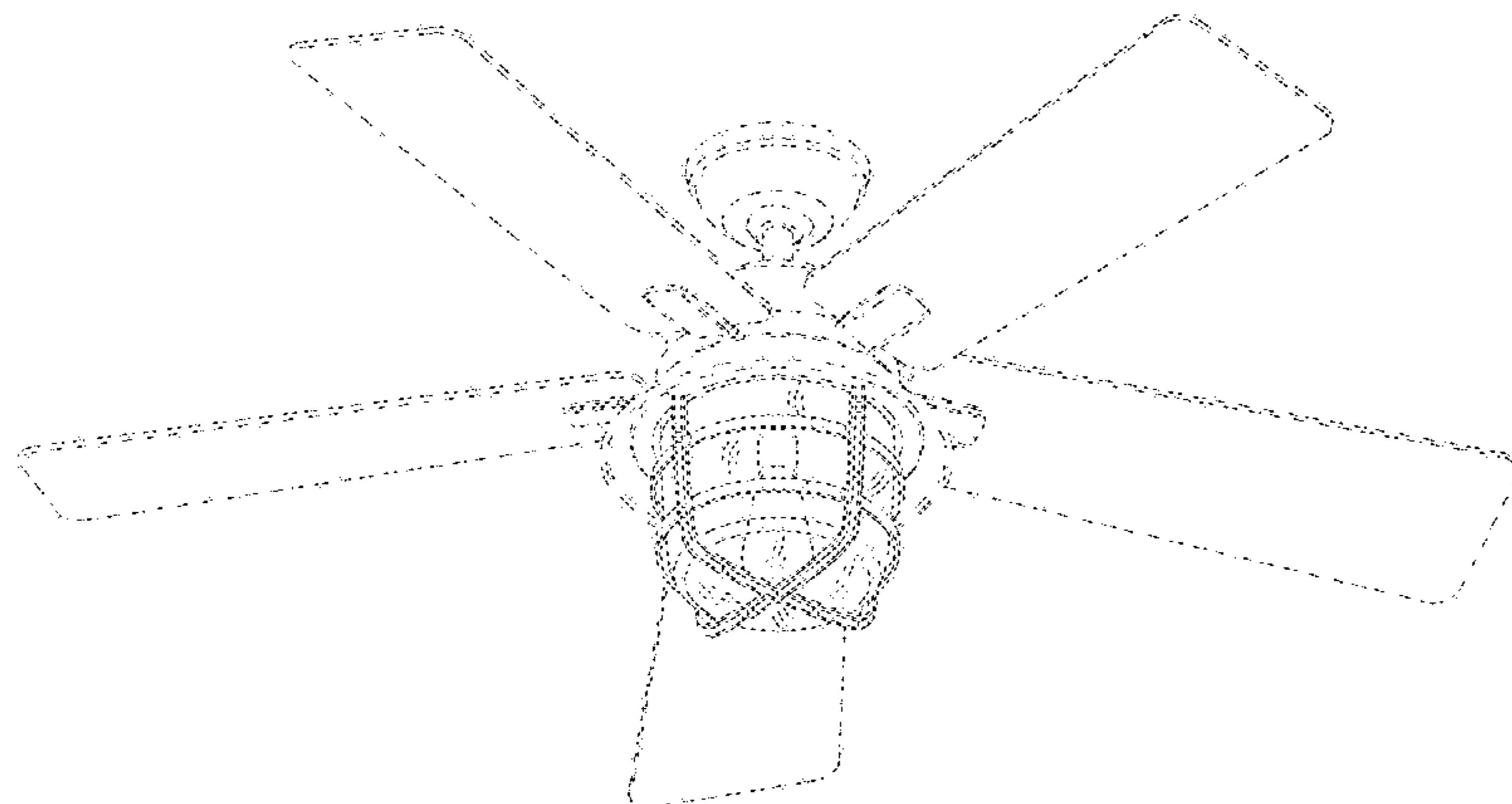
FIG. 3 is a top view thereof;

FIG. 4 is a bottom view thereof; and,

FIG. 5 is a side view thereof.

The broken lines showing a ceiling fan in FIG. 1 illustrate environmental subject matter only and form no part of the claimed design. All other broken lines depict portions of the ceiling fan light kit that form no part of the claimed design.

1 Claim, 5 Drawing Sheets



(56)

References Cited

U.S. PATENT DOCUMENTS

D476,411	S	6/2003	Friedes	
D510,622	S	10/2005	Tai	
D514,695	S	2/2006	Badarello	
D516,200	S	2/2006	Pickett	
D517,197	S	3/2006	Pickett	
D517,675	S	3/2006	Young	
D521,625	S	5/2006	Young	
D525,696	S	7/2006	Ertze	
D533,677	S	* 12/2006	Broughton	D26/87
D555,239	S	11/2007	Shurtleff	
D555,779	S	* 11/2007	Bucher	D23/377
D562,972	S	* 2/2008	Pickett	D23/411
D574,945	S	8/2008	Hidalgo	
D580,044	S	11/2008	Ertze	
D653,795	S	* 2/2012	Guercio	D26/119
D699,339	S	* 2/2014	Wang	D23/385
D704,819	S	5/2014	Wang	
D704,822	S	5/2014	Wang	
D710,489	S	8/2014	Shurtleff	
D732,157	S	6/2015	Lin et al.	
D804,635	S	12/2017	Holmes	
D804,638	S	12/2017	Guthrie	
D805,173	S	12/2017	Vajen Habig et al.	
D805,182	S	12/2017	Pickett	
D806,852	S	1/2018	Holmes	
D808,002	S	1/2018	Holmes	
D810,918	S	2/2018	Holmes	
D814,011	S	3/2018	McRoberts et al.	
D818,104	S	5/2018	Holmes et al.	
D821,009	S	6/2018	Holmes	
D821,010	S	6/2018	Holmes	
D825,086	S	8/2018	Holmes	
D829,363	S	* 9/2018	Lan	D26/119
D834,172	S	11/2018	Guthrie	
D855,872	S	* 8/2019	Lan	D26/119
D855,873	S	8/2019	Haggar	
D856,572	S	* 8/2019	Haggar	D26/119
D857,978	S	8/2019	Fan	
D858,863	S	* 9/2019	Deng	D26/119
D859,628	S	9/2019	Yang	
D859,630	S	9/2019	Puerto	
D861,218	S	9/2019	Yang	
D875,288	S	* 2/2020	Holmes	D26/59
D876,696	S	* 2/2020	Holmes	D26/59
2005/0207140	A1	9/2005	Srass et al.	

OTHER PUBLICATIONS

<http://www.homedepot.com/p/Hampton-Bay-Devereaux-II-52-in-Oil-Rubbed-Bronze-Ceiling-Fan-AL685-ORB/203244862>, Item Specification for Hampton Bay Devereaux II 52 in. Oil-Rubbed Bronze Ceiling Fan, Accessed Oct. 28, 2016.

<http://www.hunterfan.com/Ceiling-Fans/Ivy-Creek?ModelNumber=59277>, Item Specification for Hunter Ivy Creek—52" Ceiling Fan, Accessed Oct. 28, 2016.

<http://www.hunterfan.com/Ceiling-Fans/Key-Biscayne?ModelNumber=59135>, Item Specification for Hunter Key Biscayne—54" Ceiling Fan, Accessed Oct. 28, 2016.

<http://ceilingfans.emerson.com/shop/en/fan/fan-s-all/fans-s-browse-all/maui-bay-fan-p-cf2000>, Item Specification for Emerson Maui Bay—52" Ceiling Fan, Accessed Oct. 28, 2016.

<http://www.fanimation.com/products/index.php/fans/kaya.html>, Item Specification for Fanimation Kaya Ceiling Fan, Accessed Oct. 28, 2016.

<http://www.kichler.com/products/product/52-inch-chicago-fan-tzgz-300001tzg.aspx>, Item Specification for Kichler Chicago Collection 52 Inch Chicago Fan TZG, Accessed Oct. 28, 2016.

<http://www.montecarlofans.com/32990/52-Morton-Oil-Rubbed-Bronze-5MB52OZD.html>, Item Specification for Monte Carlo 52" Morton—Oil Rubbed Bronze, Accessed Oct. 28, 2016.

<http://www.homedepot.com/p/Hampton-Bay-Metro-54-in-Rustic-Copper-Indoor-Outdoor-Ceiling-Fan-34342/202075572>, Item Specification for Hampton Bay Metro 54 in. Rustic Copper Indoor/Outdoor Ceiling Fan, Accessed Oct. 28, 2016.

<http://www.craftmade.com/Craftmade-MOR54ESP3-Espresso-Ceiling-Fan.HTM>, Item Specification for Craftmade MOR54ESP3—Moorestad, Accessed Oct. 28, 2016.

<http://www.minkagroup.net/products/f582-orb>, Item Specification for Minka Aire F582-ORB 52" Rainman, Accessed Oct. 28, 2016.

<http://www.craftmade.com/Craftmade-OLK13CFL-FB-Flat-Black-Outdoor-Light-Kit.HTM>, Item Specification for Craftmade OLK13CFL-FB, Accessed Oct. 28, 2016.

<http://www.craftmade.com/Craftmade-OLK200CFL-RI-Rustic-Iron-Ceiling-Fan-Light-Kit.HTM>, Item Specification for Craftmade OLK200CFL-RI, Accessed Oct. 28, 2016.

<http://www.craftmade.com/Craftmade-OLK67CFL-OB-Oiled-Bronze-Outdoor-Light-Kit.HTM>, Item Specification for Craftmade OLK67CFL-OB, Accessed Oct. 28, 2016.

<http://www.modernfan.com/products/pharos.html>, Item Specification for Pharos, Accessed Oct. 28, 2016.

<http://www.montecarlofans.com/32467/52-Aviary-Dark-Bronze-4AIR52DBD.html>, Item Specification for Monte Carlo 52" Aviary—Dark Bronze, Accessed Oct. 28, 2016.

[http://www.montecarlofans.com/22172/52-Burnet-Outdoor-Fan---Roman-Bronze-\(Wet-Rated\)-5BR52RBD.html](http://www.montecarlofans.com/22172/52-Burnet-Outdoor-Fan---Roman-Bronze-(Wet-Rated)-5BR52RBD.html), Item Specification for Monte Carlo 52" Burnet Outdoor Fan—Roman Bronze (Wet Rated), Accessed Oct. 28, 2016.

<http://www.homedepot.com/p/Hampton-Bay-Glacier-Bay-52-in-Indoor-Outdoor-Rustic-Copper-Ceiling-Fan-14938/202790702>, Item Specification for Hampton Bay Glacier Bay 52in. Indoor/Outdoor Rustic Copper Ceiling Fan, Accessed Oct. 28, 2016.

<http://www.homedepot.com/p/Hampton-Bay-North-Shoreline-46-in-Natural-Iron-Indoor-Outdoor-Ceiling-Fan-with-Light-Kit-51546/205643117>, Item Specification for Hampton Bay North Shoreline 46 in. Natural Iron Indoor/Outdoor Ceiling Fan with Light Kit, Accessed Oct. 28, 2016.

<https://www.lowes.com/pd/Harbor-Breeze-Merrimack-52-in-Antique-Bronze-Downrod-Mount-Indoor-Outdoor-Ceiling-Fan-with-Light-Kit-and-Remote/4165863>, Item Specification for Harbor Breeze Merrimack 52-in Antique Bronze Downrod Mount Indoor/Outdoor Ceiling Fan with Light Kit and Remote, Accessed Oct. 28, 2016.

<http://www.hunterfan.com/Ceiling-Fans/Mayford?ModelNumber=59205>, Item Specification for Hunter Mayford—54" Ceiling Fan, Accessed Oct. 28, 2016.

<http://arcadianhome.com/CM-B552C-CR>, Item Specification for Craftmade Contour Series 52" Type 2 Blades—CM—8552C-CR, Accessed Oct. 28, 2016.

<http://www.fanimation.com/products/index.php/22-inch-breckenfield-composite-blade-set.html>, Item Specification for Fanimation 22 Inch Breckenfield Composite Blade Set, Accessed Oct. 28, 2016.

<https://www.lowes.com/pd/Hunter-Allegheny-52-in-New-Bronze-Flush-Mount-Indoor-Outdoor-Ceiling-Fan-with-Light-Kit/3819969>, Hunter Allegheny 52-in. New Bronze Flush Mouny Indoor/Outdoor Ceiling Fan with Light Kit, accessed Apr. 6, 2018.

* cited by examiner

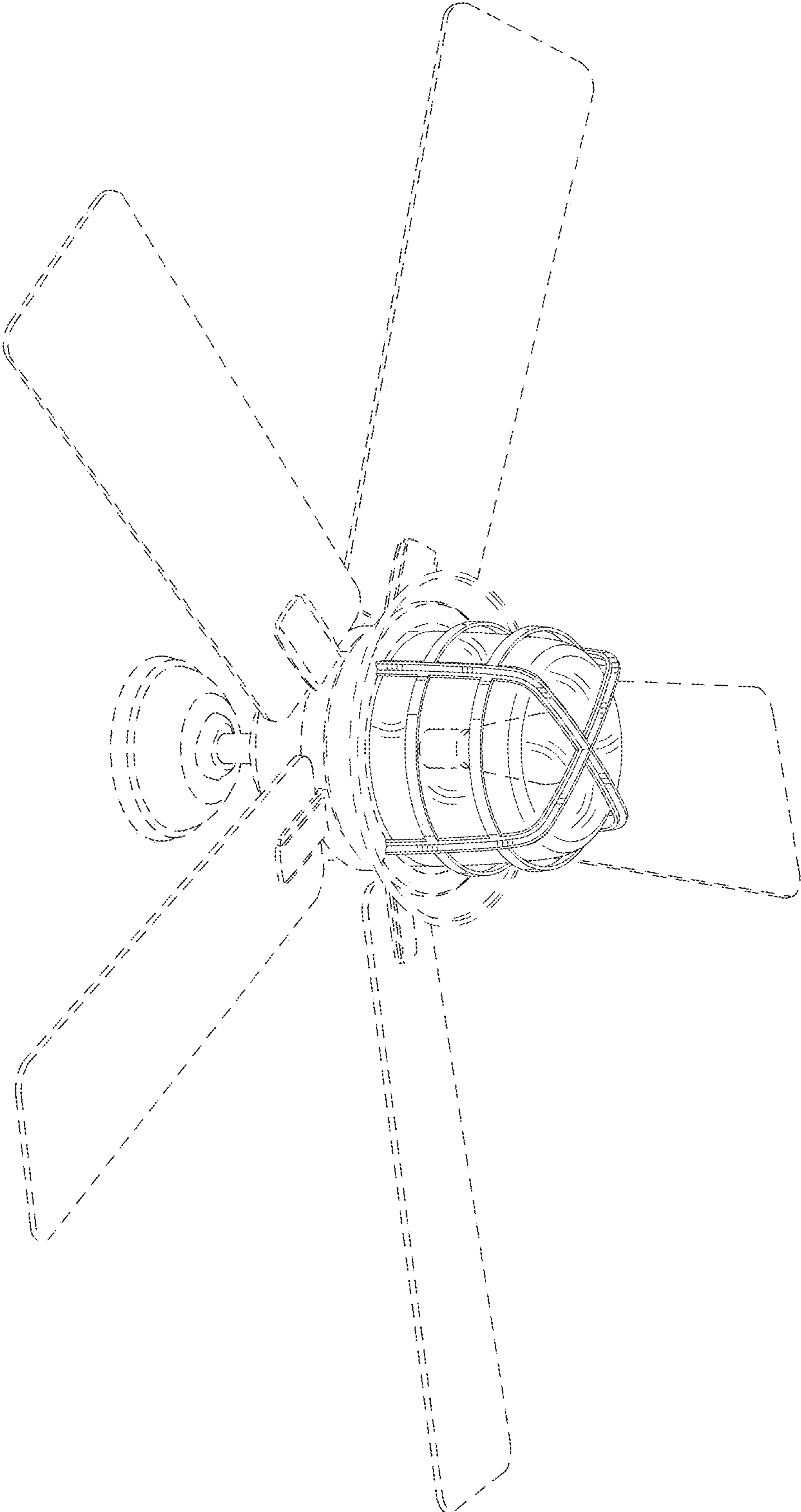


FIG.1

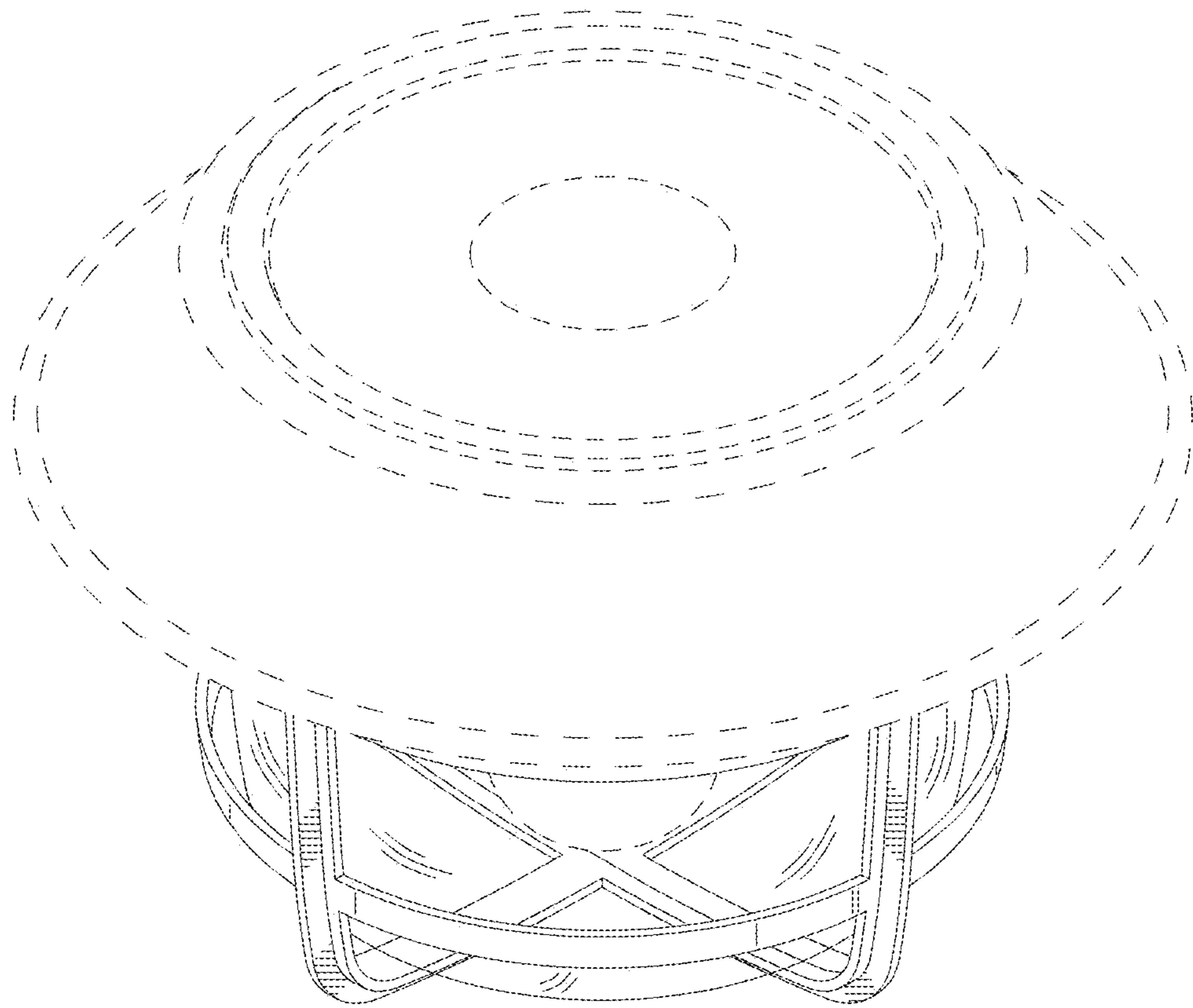


FIG. 2

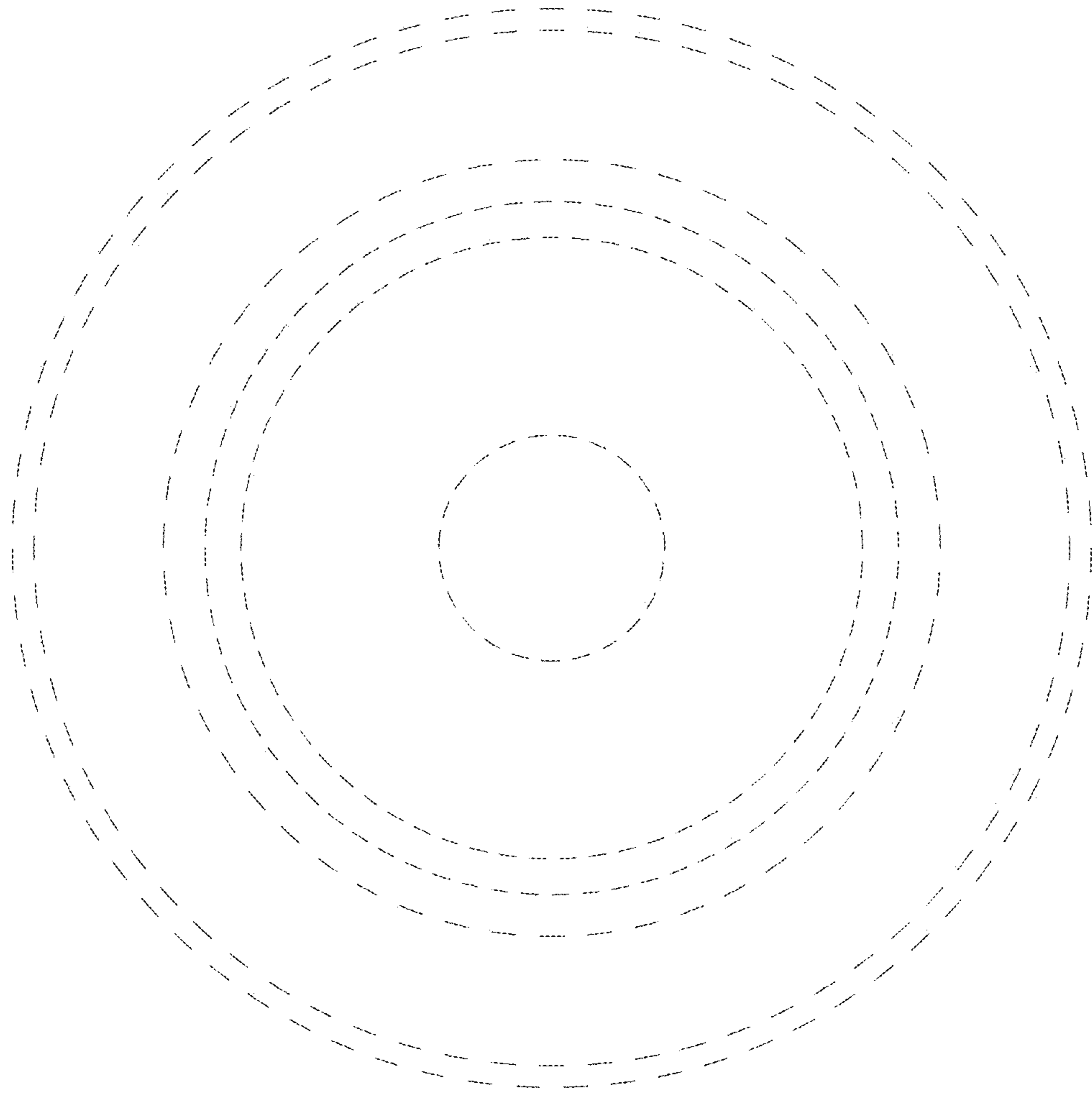


FIG. 3

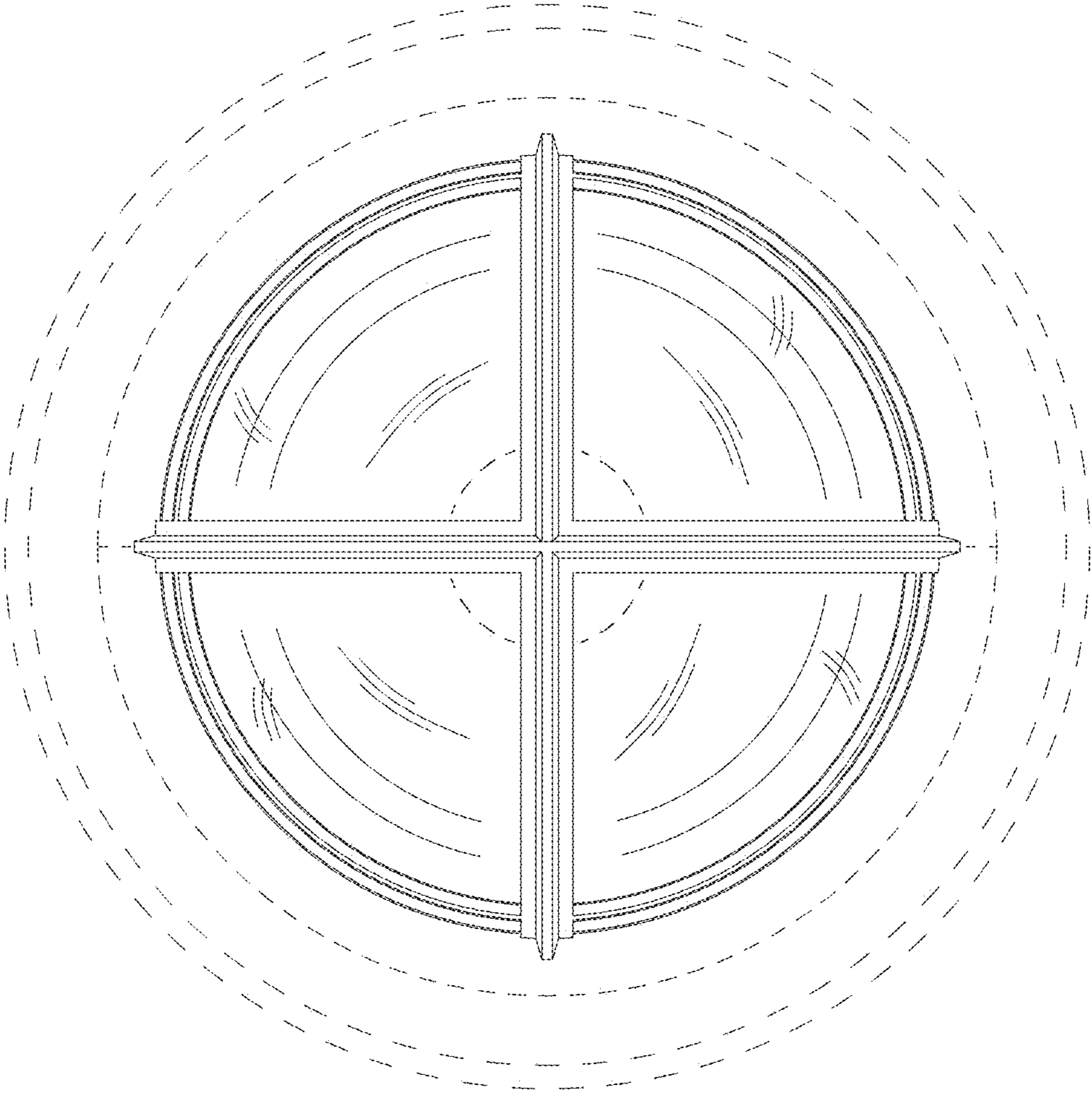


FIG.4

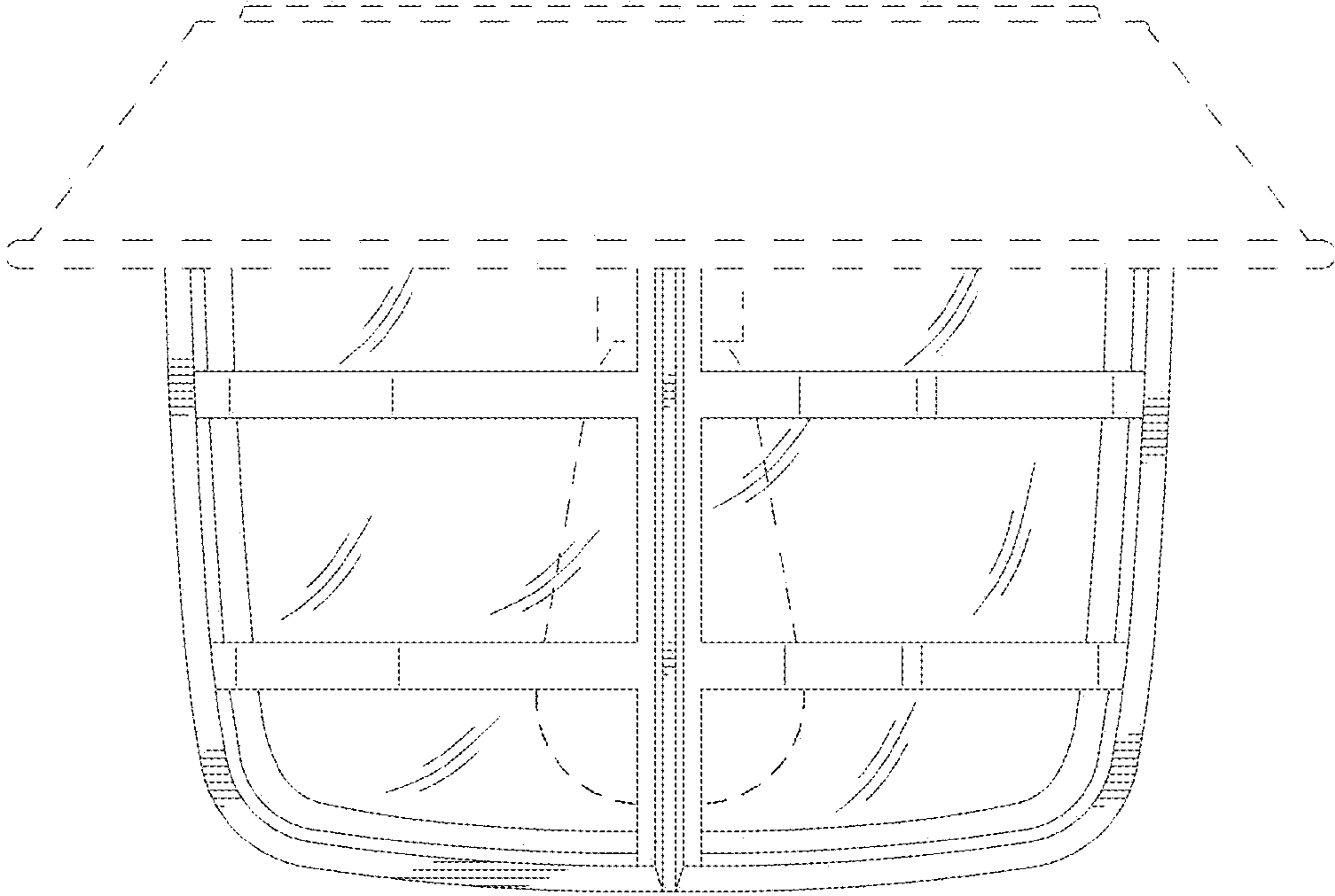


FIG. 5