



US00D894456S

(12) **United States Design Patent**
Luo

(10) **Patent No.:** **US D894,456 S**

(45) **Date of Patent:** **** Aug. 25, 2020**

- (54) **LED FLASHLIGHT**
- (71) Applicant: **Xiaojun Luo**, Guangdong (CN)
- (72) Inventor: **Xiaojun Luo**, Guangdong (CN)
- (**) Term: **15 Years**
- (21) Appl. No.: **29/667,811**
- (22) Filed: **Oct. 25, 2018**
- (51) **LOC (12) Cl.** **26-02**
- (52) **U.S. Cl.**
USPC **D26/49**
- (58) **Field of Classification Search**
USPC D26/37-38, 40-42, 46, 49-50
CPC F21L 2003/00; F21L 4/00; F21L 4/005;
F21L 4/02; F21L 4/022; F21L 4/025;
F21L 4/027; F21L 4/04; F21L 4/045;
F21L 4/08; F21L 4/085; F21L 2005/00;
F21L 14/02
See application file for complete search history.

(56) **References Cited**

U.S. PATENT DOCUMENTS

- 3,890,498 A * 6/1975 Toth, Sr. F21L 4/045
362/205
- 3,924,116 A * 12/1975 Brindley F21L 4/005
362/158
- 4,151,583 A * 4/1979 Miller F21L 4/005
362/205
- 4,171,534 A * 10/1979 Strowe F21L 4/085
362/183
- 4,286,311 A * 8/1981 Maglica F21L 4/005
200/242
- 4,357,648 A * 11/1982 Nelson F21V 19/047
362/183
- 4,388,673 A * 6/1983 Maglica F21L 4/085
362/183
- 4,563,727 A * 1/1986 Curiel F21L 4/08
136/251

- 5,422,799 A * 6/1995 Morrison, Sr. F21L 4/02
362/184
- D368,147 S * 3/1996 Bamber D26/49
- 5,839,821 A * 11/1998 LeZotte G08B 13/19
362/253
- 6,095,661 A * 8/2000 Lebens H05B 45/50
362/184
- 6,099,141 A * 8/2000 Landamia F21L 4/00
362/157
- 6,186,634 B1 * 2/2001 Pitts F21L 4/085
362/84
- 6,190,020 B1 * 2/2001 Hartley F21L 4/027
362/184
- 6,193,388 B1 * 2/2001 Halasz F21V 14/045
362/205
- 6,435,689 B2 * 8/2002 Pitts F21V 13/14
362/84
- 6,502,952 B1 * 1/2003 Hartley F21L 4/027
257/E25.02

(Continued)

Primary Examiner — Sheryl Lane
Assistant Examiner — Stacey L Hopkins
(74) *Attorney, Agent, or Firm* — Justin Lampel

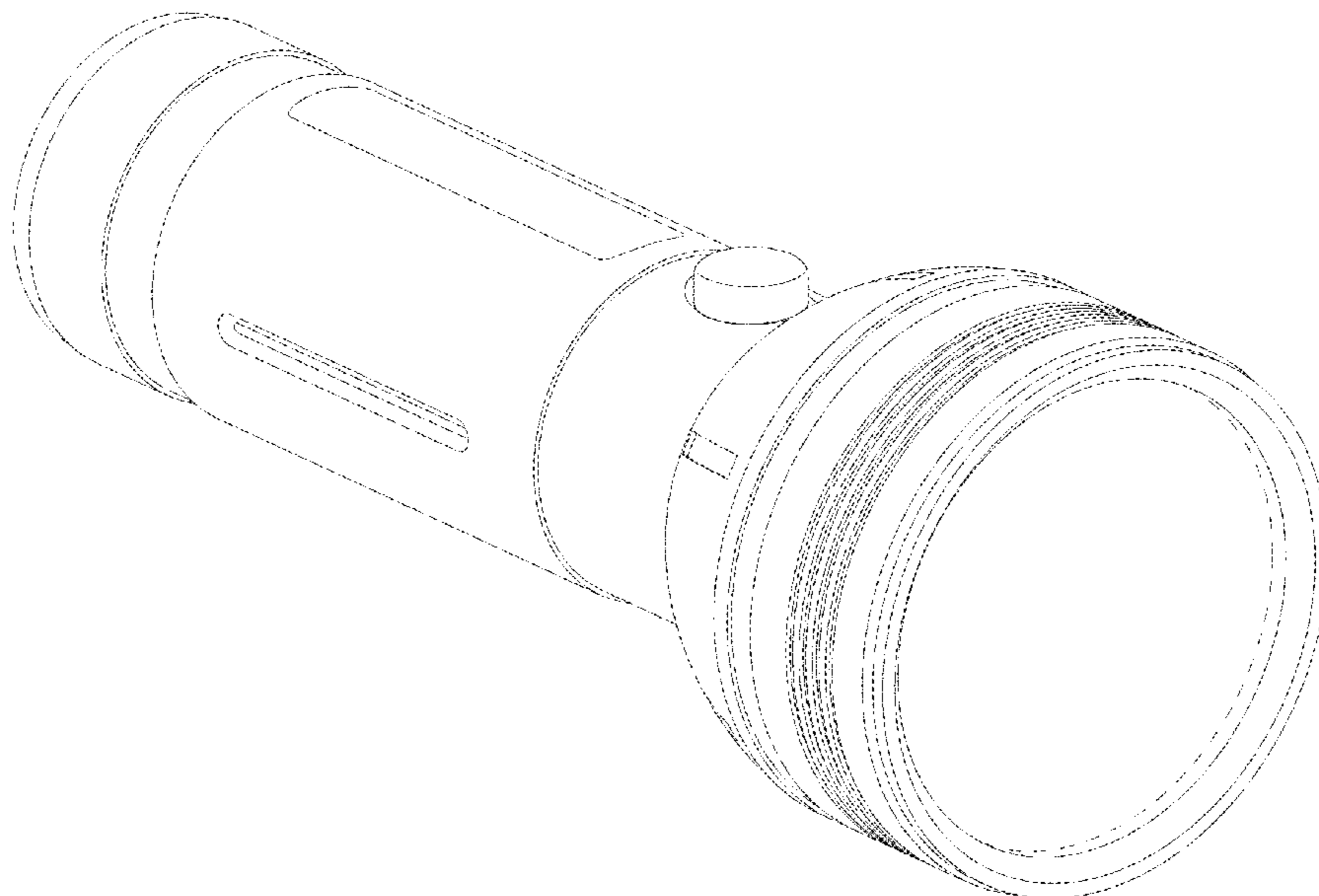
(57) **CLAIM**

The ornamental design for a LED flashlight, as shown and described.

DESCRIPTION

FIG. 1 is a perspective view of a LED flashlight showing my new design;
FIG. 2 is a top plan view thereof;
FIG. 3 is a rear elevational view thereof;
FIG. 4 is a bottom plan view thereof;
FIG. 5 is a right side view thereof;
FIG. 6 is a front elevational view thereof; and,
FIG. 7 is a left side view thereof.
Throughout the drawings the broken lines depict portions of the LED flashlight that form no part of the claimed design.

1 Claim, 7 Drawing Sheets



(56)

References Cited

U.S. PATENT DOCUMENTS

6,536,917 B1 * 3/2003 Aperocho F21V 33/0056
 362/183
 6,736,523 B2 * 5/2004 Alvey F21L 4/005
 362/158
 6,761,467 B2 * 7/2004 Matthews F21L 4/005
 362/202
 6,814,465 B2 * 11/2004 Forsythe F21L 4/005
 362/109
 6,877,878 B2 * 4/2005 Raskas H04N 5/2256
 348/E5.029
 6,916,104 B2 * 7/2005 Parsons F21L 4/005
 362/109
 D509,011 S * 8/2005 Fritz D26/49
 7,033,042 B2 * 4/2006 Lim B25D 1/00
 362/183
 7,048,408 B2 * 5/2006 Dallas F21L 4/027
 362/202
 7,069,926 B2 * 7/2006 Skellern B05B 15/00
 128/200.11
 7,152,994 B2 * 12/2006 Huang F21L 4/005
 362/205
 7,172,312 B2 * 2/2007 Chen F21L 4/022
 362/202
 7,192,006 B1 * 3/2007 Moore B25B 9/02
 254/131
 7,217,013 B2 * 5/2007 Endo F16M 11/14
 362/190
 RE40,171 E * 3/2008 Halasz F21L 4/005
 362/205
 D579,595 S * 10/2008 Shiu D26/49
 7,461,946 B2 * 12/2008 Dalton F21L 4/005
 362/191

D596,772 S * 7/2009 Chang D26/49
 7,581,848 B1 * 9/2009 Parsons F21L 4/027
 200/60
 7,635,197 B2 * 12/2009 Man F21V 15/01
 362/194
 7,670,023 B1 * 3/2010 Peterson F21L 4/08
 362/183
 7,690,815 B2 * 4/2010 Dallas F21V 9/083
 362/202
 7,896,518 B2 * 3/2011 Holmes F21L 4/027
 362/184
 8,360,596 B2 * 1/2013 Bertken F21L 4/022
 362/120
 8,562,169 B2 * 10/2013 Kempfer H05B 45/00
 362/171
 D709,232 S * 7/2014 Inskeep D26/49
 8,783,908 B2 * 7/2014 Gross F21L 4/027
 362/184
 D716,983 S * 11/2014 Ma D26/49
 D717,481 S * 11/2014 Yong D26/49
 8,979,298 B1 * 3/2015 Wang F21L 4/027
 362/184
 9,157,586 B1 * 10/2015 Babcock, IV F21V 9/083
 9,341,323 B1 * 5/2016 Wang F21L 4/027
 9,508,391 B2 * 11/2016 Bushee F21L 4/005
 D799,088 S * 10/2017 Green D26/49
 D799,089 S * 10/2017 Green D26/49
 D818,622 S * 5/2018 Kunzendorf D26/49
 D827,892 S * 9/2018 Kunzendorf D26/49
 D831,870 S * 10/2018 Gassauer D26/49
 10,234,082 B1 * 3/2019 Diederich F21L 4/027
 D846,783 S * 4/2019 Eichelberger D26/49
 10,578,297 B1 * 3/2020 Zhu F21L 4/027

* cited by examiner

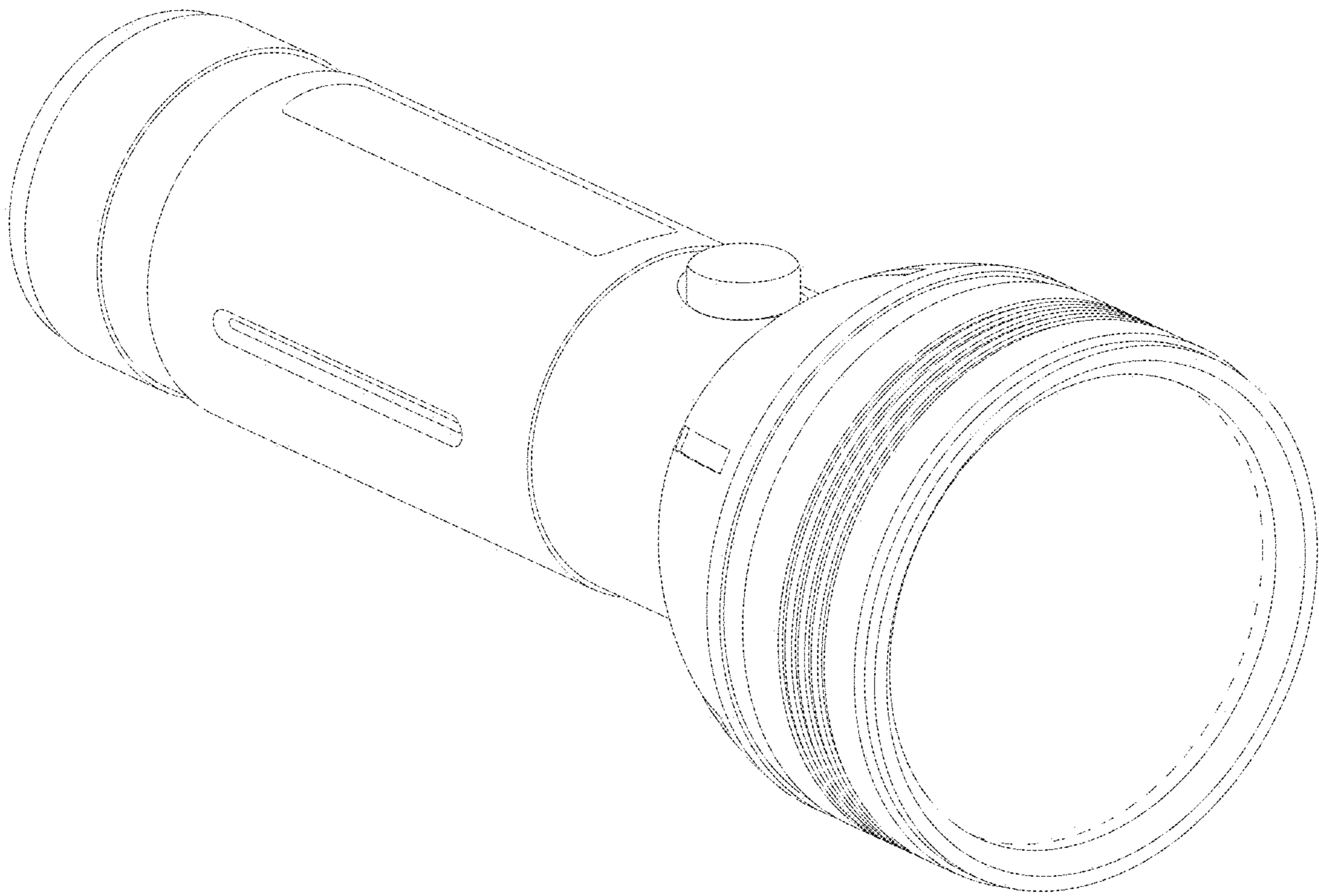


FIG.1

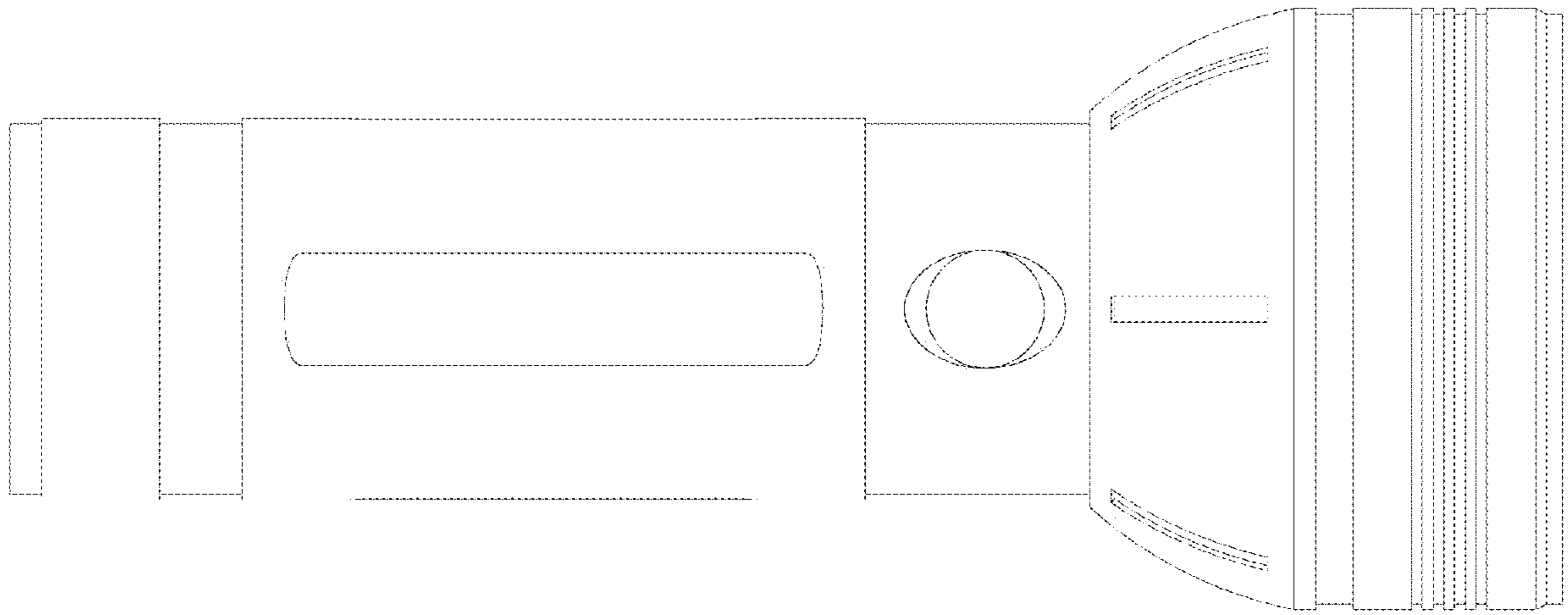


FIG. 2

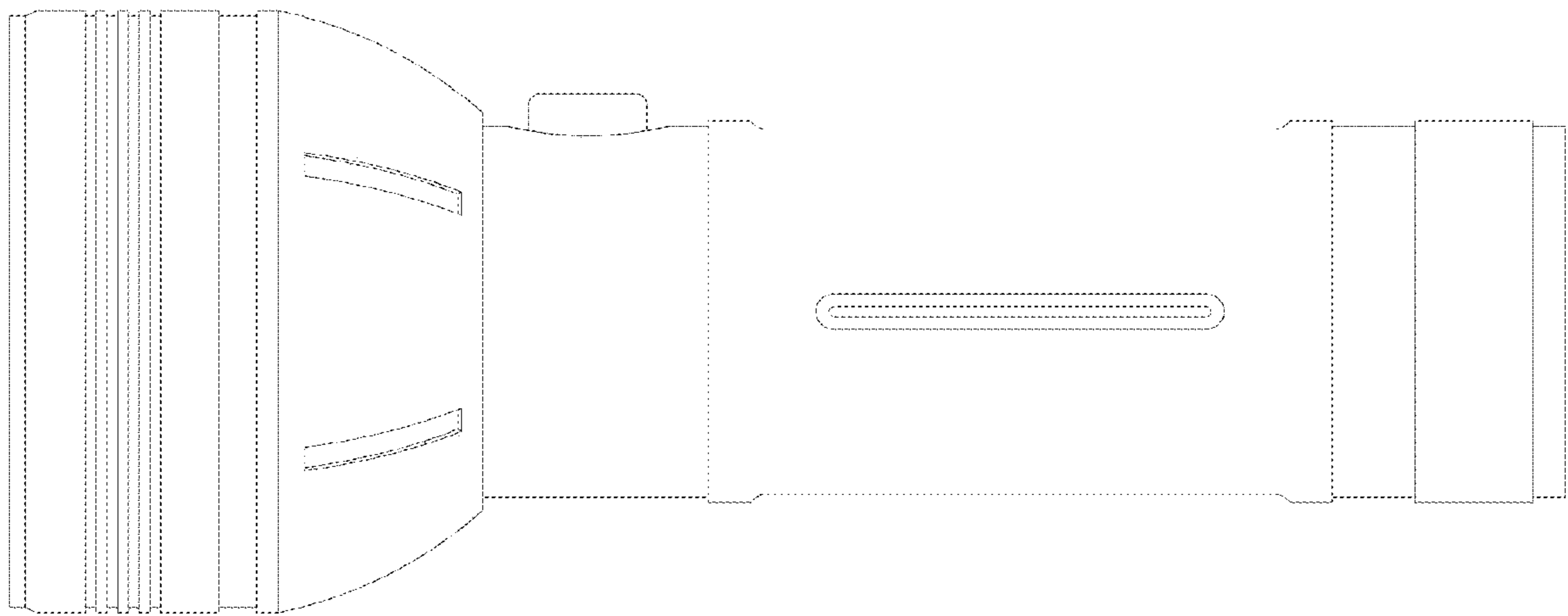


FIG. 3

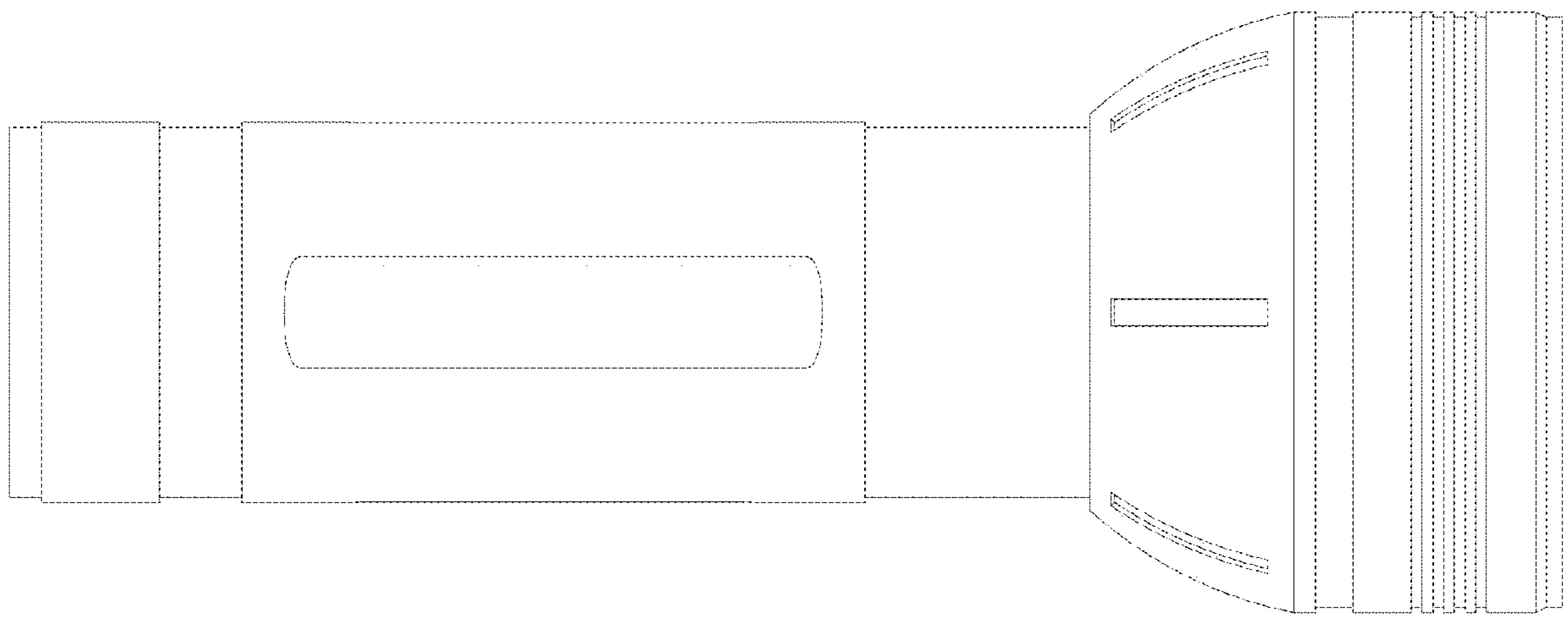


FIG. 4

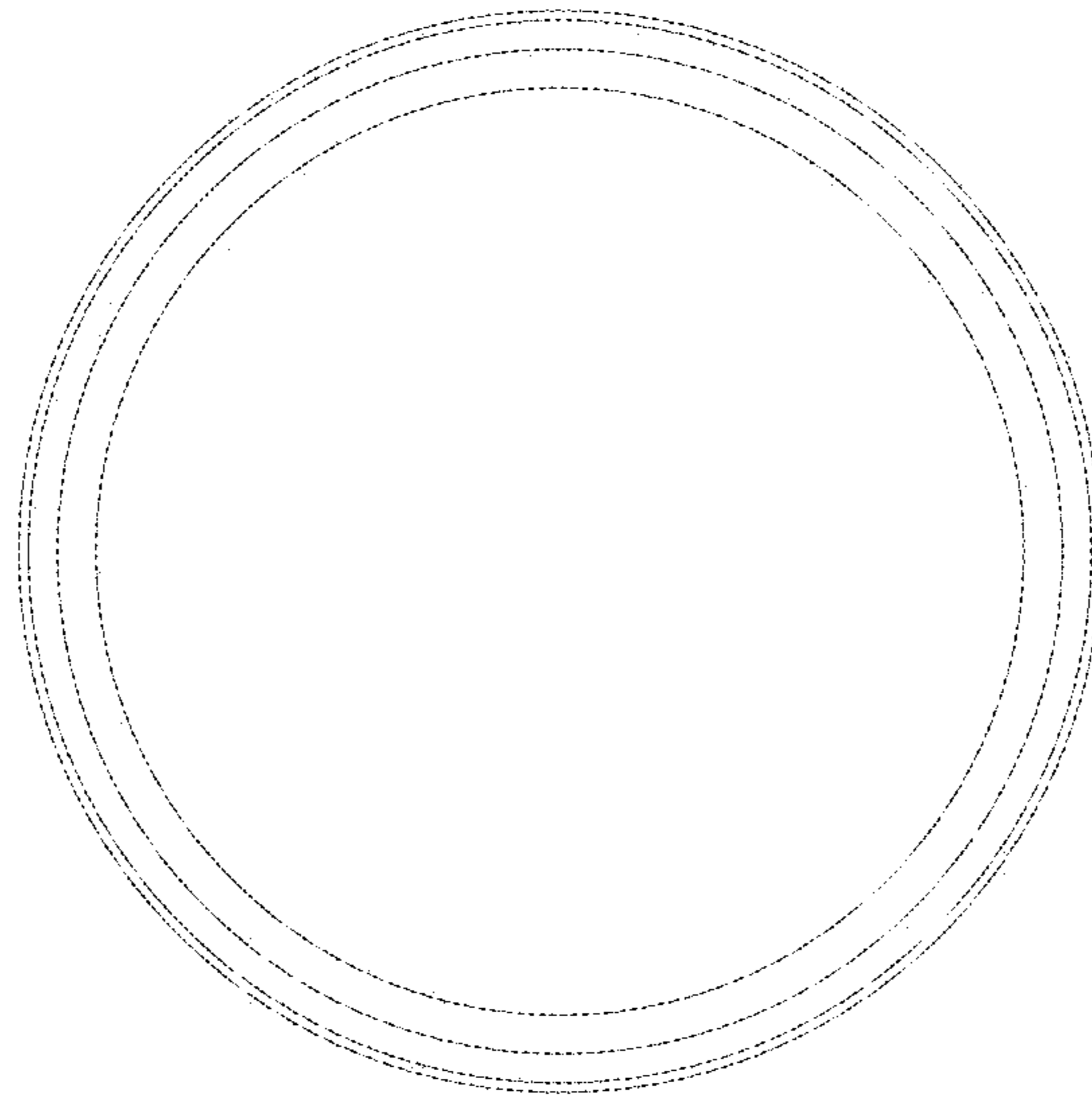


FIG.5

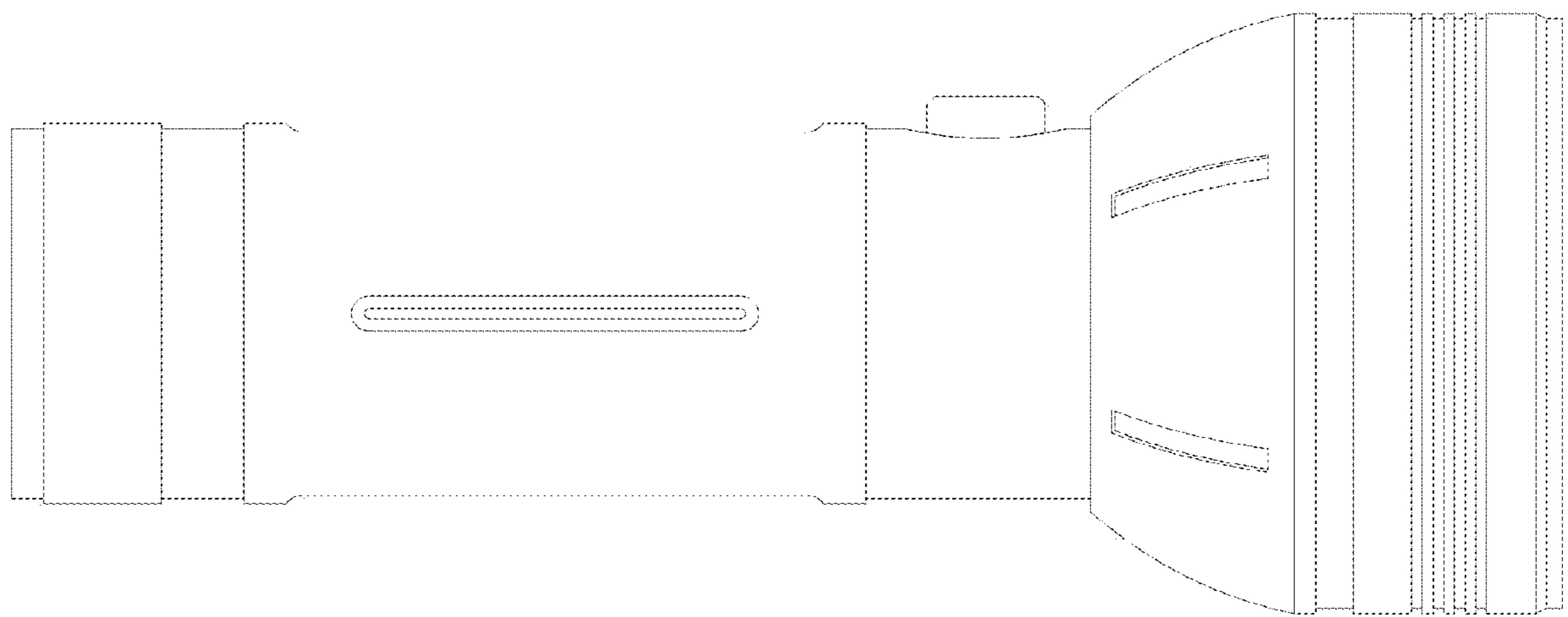


FIG. 6

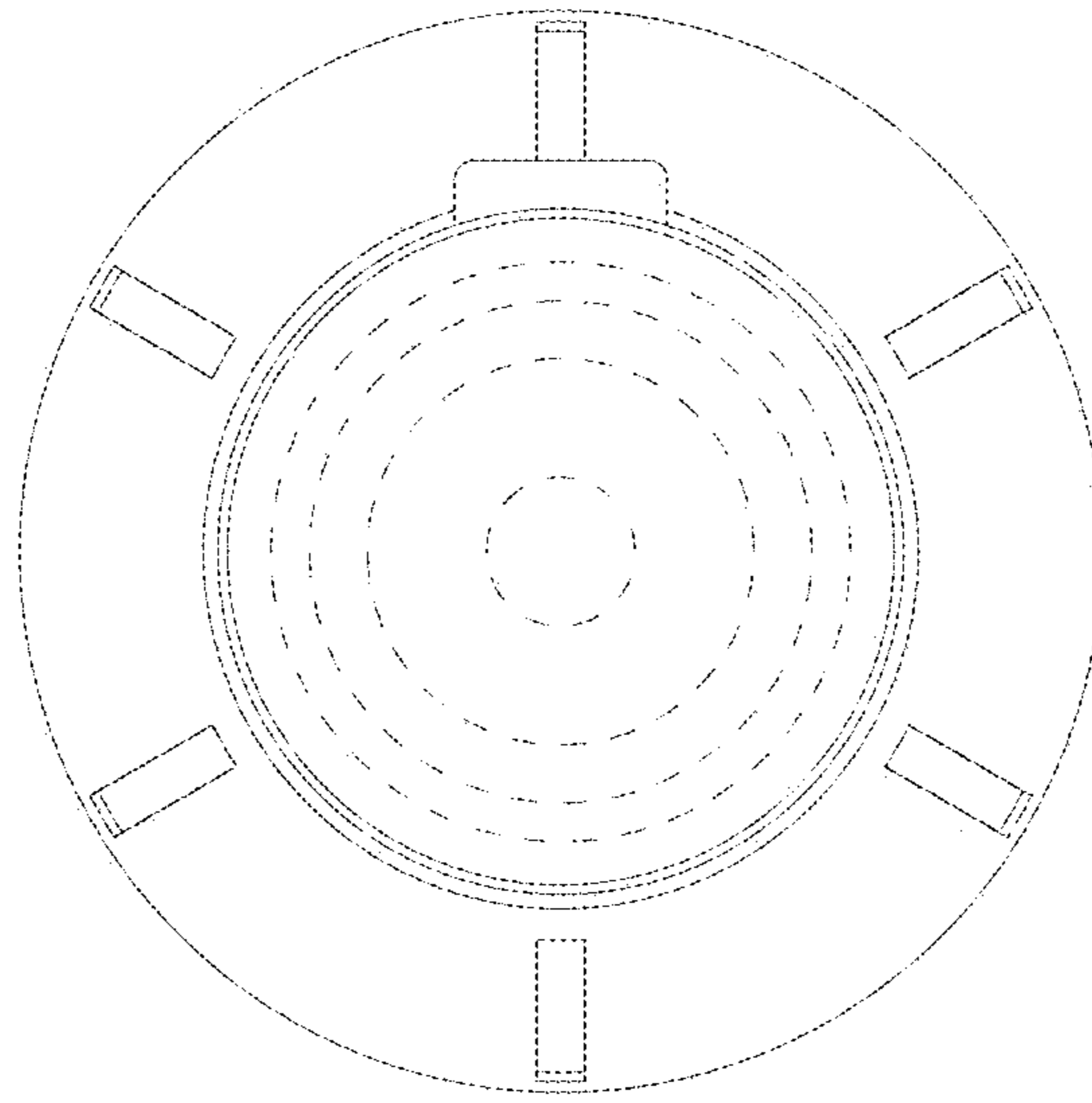


FIG. 7