



US00D894455S

(12) **United States Design Patent** (10) **Patent No.:** **US D894,455 S**
Kunzendorf (45) **Date of Patent:** **** Aug. 25, 2020**

(54) **PORTABLE LANTERN**
(71) Applicant: **LEDLENSER GMBH & CO. KG,**
Solingen (DE)
(72) Inventor: **Andre Kunzendorf,** Wuppertal (DE)
(73) Assignee: **LEDLENSER GMBH & CO. KG,**
Solingen (DE)

D738,553 S * 9/2015 Fletcher D26/41
D809,689 S * 2/2018 Marshall D26/41
D823,509 S * 7/2018 Kunzendorf D26/49
D831,250 S * 10/2018 Wu D26/49
D832,480 S * 10/2018 Qiu D26/41
D841,208 S * 2/2019 Calvo Lopez D26/40
D844,872 S * 4/2019 Krantz D26/40
D844,875 S * 4/2019 Jeon D26/51
D845,527 S * 4/2019 Hsu D26/41
D849,295 S * 5/2019 Sun D26/40

(**) Term: **15 Years**

OTHER PUBLICATIONS

(21) Appl. No.: **29/637,562**

LEDlenser ML6,[online], [site visited Apr. 21, 2020]. Availalble from Internet, <URL:https://www.youtube.com/watch?v=RtiFQP8aAAI&feature=youtu.be>, 2 pages (Year: 2018).*

(22) Filed: **Feb. 20, 2018**

* cited by examiner

(30) **Foreign Application Priority Data**

Dec. 6, 2017 (WO) 5640401

Primary Examiner — Lakiya G Rogers

(51) **LOC (12) Cl.** **26-02**

Assistant Examiner — Carissa C Fitts

(52) **U.S. Cl.**

(74) *Attorney, Agent, or Firm* — Alston & Bird LLP

USPC **D26/41**

(58) **Field of Classification Search**

(57) **CLAIM**

USPC D26/37–51
CPC F21L 2003/00; F21L 4/00; F21L 4/005;
F21L 4/02; F21L 4/025; F21L 4/027;
F21L 4/04; F21L 4/08; F21L 2005/00;
F21L 7/00; F21L 11/00; F21L 13/00;
F21L 13/04; F21L 13/08; F21L 14/02;
F21L 17/00; F21L 19/00; F21L 25/00

The ornamental design for a portable lantern, as shown and described.

See application file for complete search history.

DESCRIPTION

(56) **References Cited**

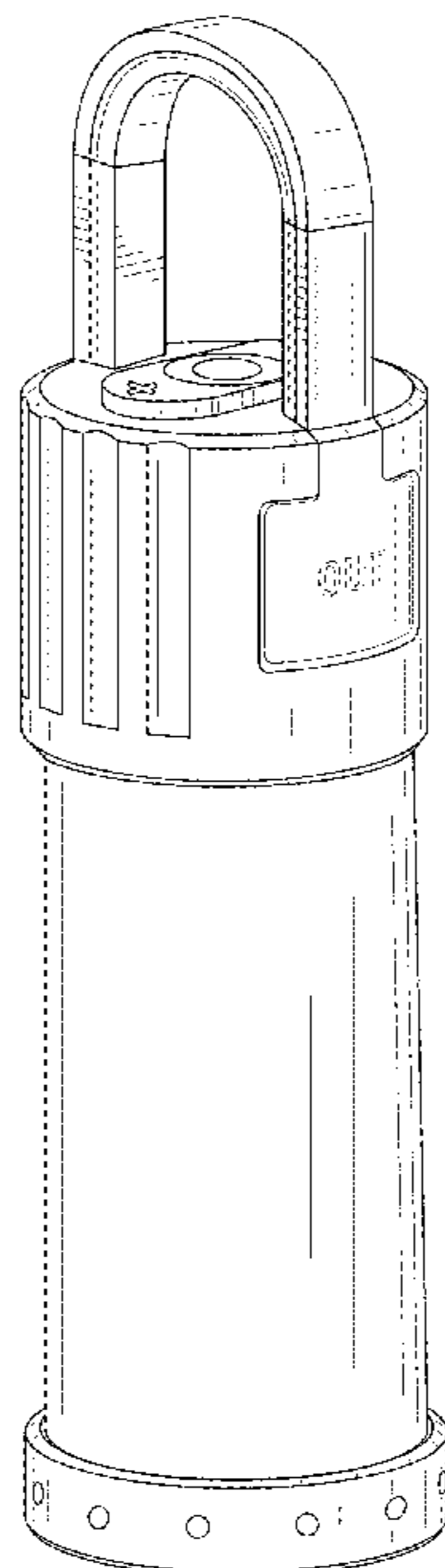
FIG. 1 is a perspective view of my design;
FIG. 2 is a left view of the design of FIG. 1;
FIG. 3 is a right side view of the design of FIG. 1;
FIG. 4 is a rear view of the design of FIG. 1;
FIG. 5 is front view of the design of FIG. 1;
FIG. 6 is a top view of the design of FIG. 1; and,
FIG. 7 is a bottom view of the design of FIG. 1.

U.S. PATENT DOCUMENTS

D537,967 S * 3/2007 Lo D26/40
D711,573 S * 8/2014 Payne D26/42
D725,300 S * 3/2015 Dalton D26/40
D728,835 S * 5/2015 Metlen D26/41

The broken lines show portions of the article which form no part of the claimed design.

1 Claim, 6 Drawing Sheets



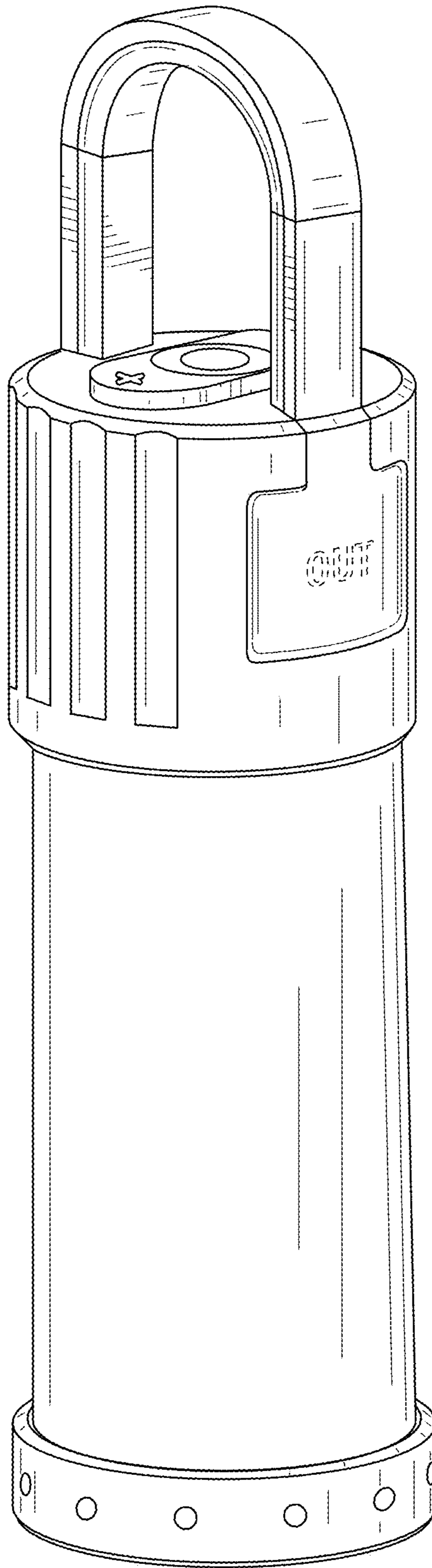


FIG. 1

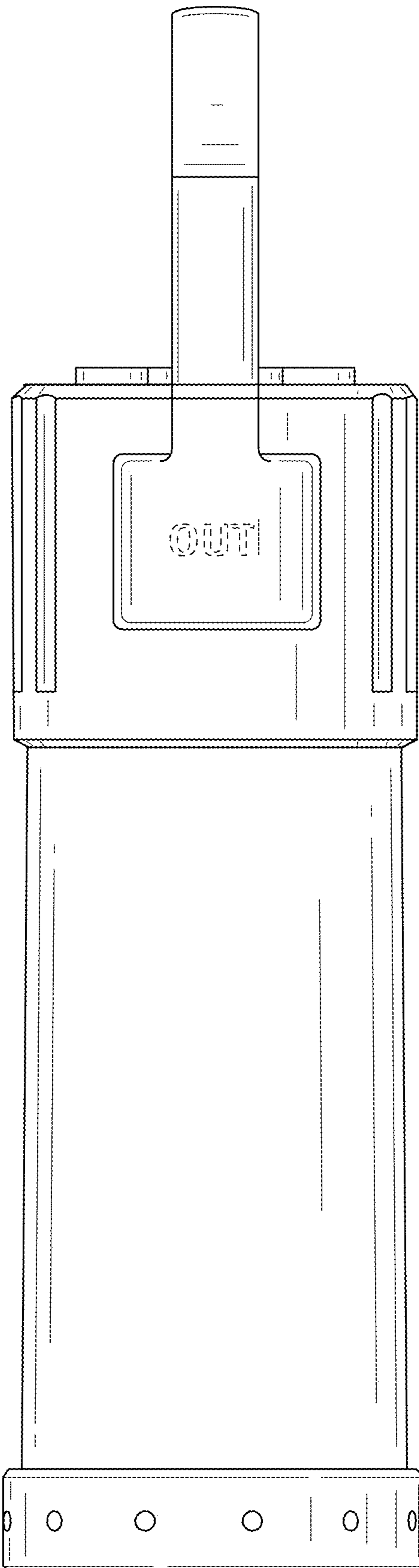


FIG. 2

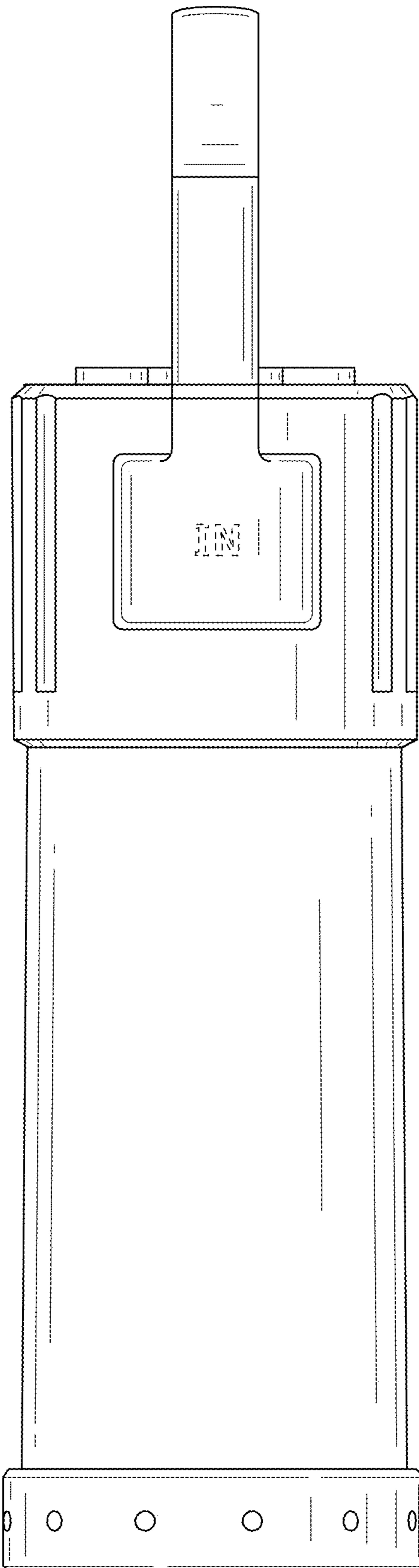


FIG. 3

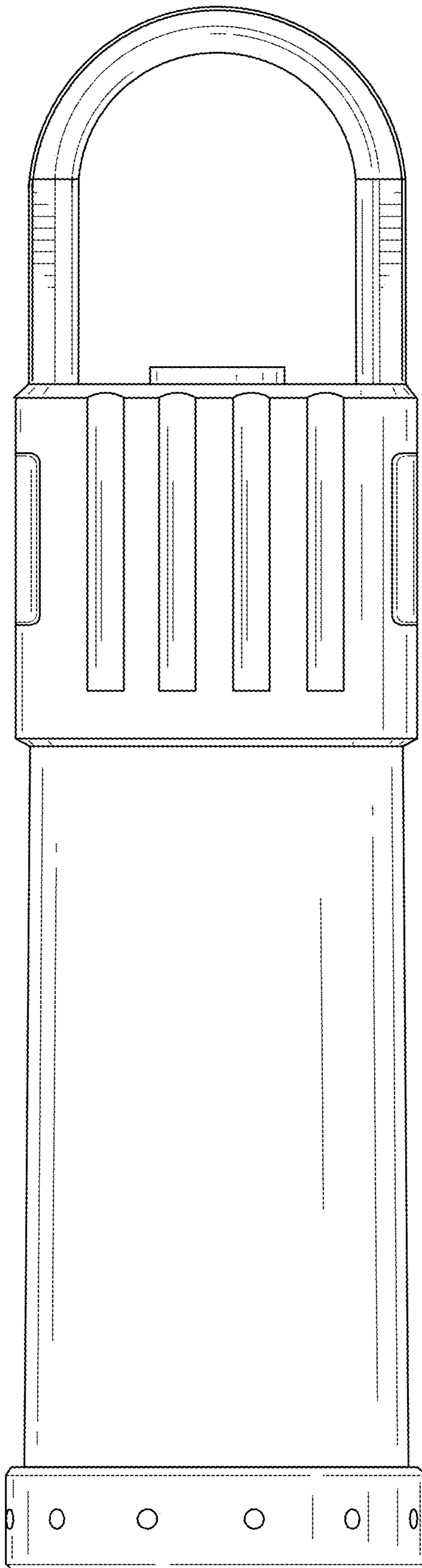


FIG. 4

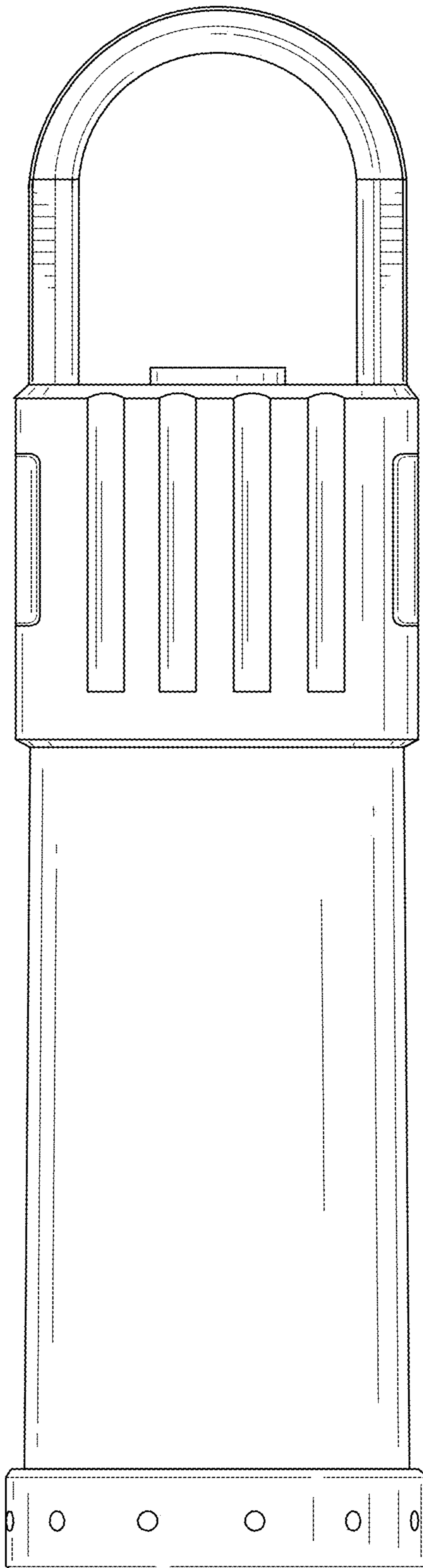


FIG. 5

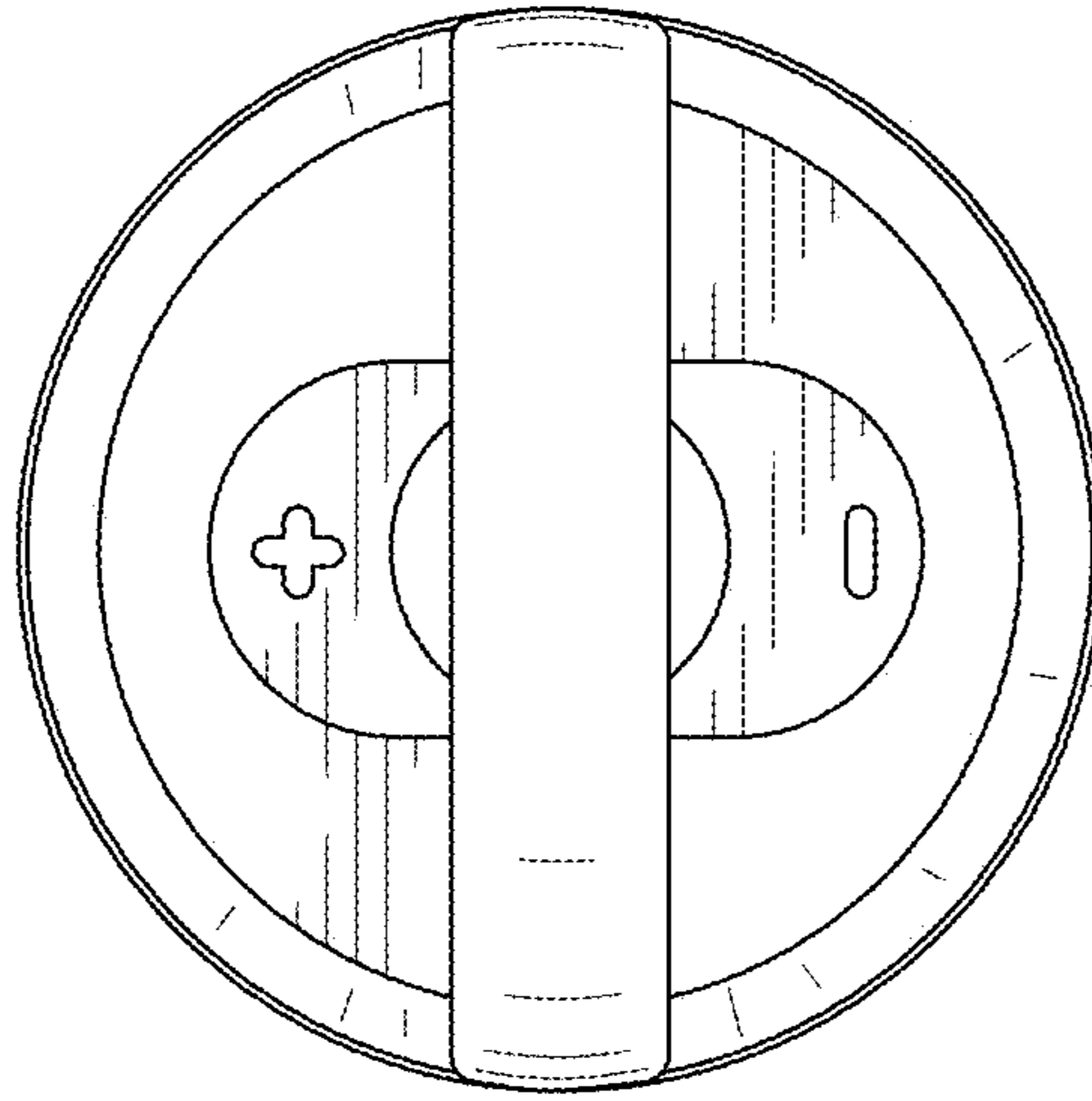


FIG. 6

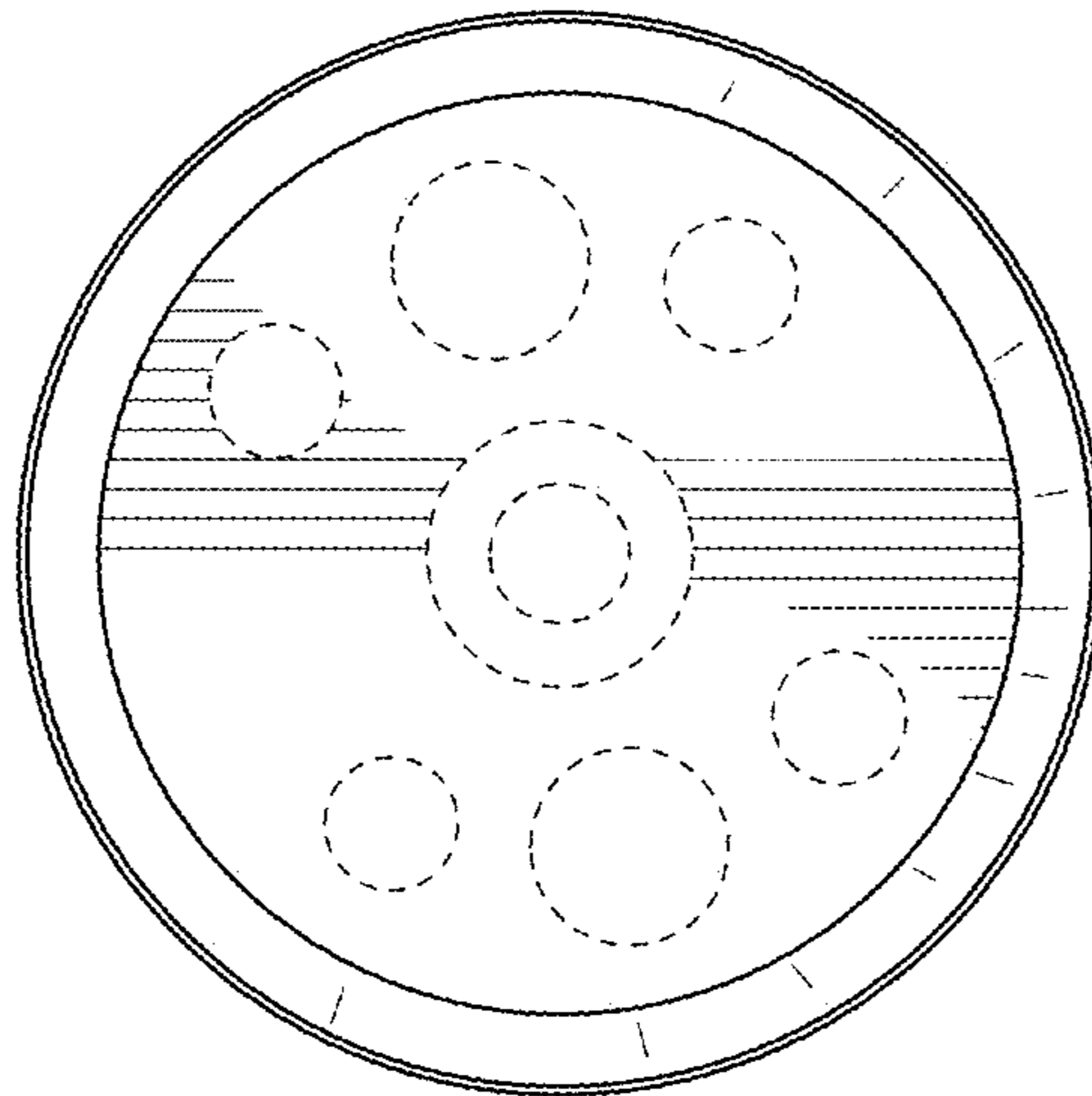


FIG. 7