



US00D894454S

(12) **United States Design Patent**
Yang et al.

(10) **Patent No.:** **US D894,454 S**
(45) **Date of Patent:** **** Aug. 25, 2020**

(54) **ELECTRIC CAMPING LANTERN**

DESCRIPTION

(71) Applicant: **ETEK CITY CORPORATION**,
Anaheim, CA (US)
(72) Inventors: **Lin Yang**, Shenzhen (CN); **Hai Yang**,
Shenzhen (CN)
(**) Term: **15 Years**
(21) Appl. No.: **29/625,514**
(22) Filed: **Nov. 9, 2017**
(51) **LOC (12) Cl.** **26-02**
(52) **U.S. Cl.**
USPC **D26/41**
(58) **Field of Classification Search**
USPC D26/37-51
CPC F21L 2003/00; F21L 4/00; F21L 4/005;
F21L 4/02; F21L 4/025; F21L 4/027;
F21L 4/04; F21L 4/08; F21L 2005/00;
F21L 7/00; F21L 11/00; F21L 13/00;
F21L 13/04; F21L 13/08; F21L 14/02;
F21L 17/00; F21L 19/00; F21L 25/00
See application file for complete search history.

(56) **References Cited**

U.S. PATENT DOCUMENTS

D529,647 S * 10/2006 Shiu D26/40
D535,419 S * 1/2007 Shiu D26/40
D537,968 S * 3/2007 Shiu D26/40
D570,510 S * 6/2008 DeBrunner D26/40
D838,885 S * 1/2019 Liu D26/40

(Continued)

Primary Examiner — Lakiya G Rogers

Assistant Examiner — Carissa C Fitts

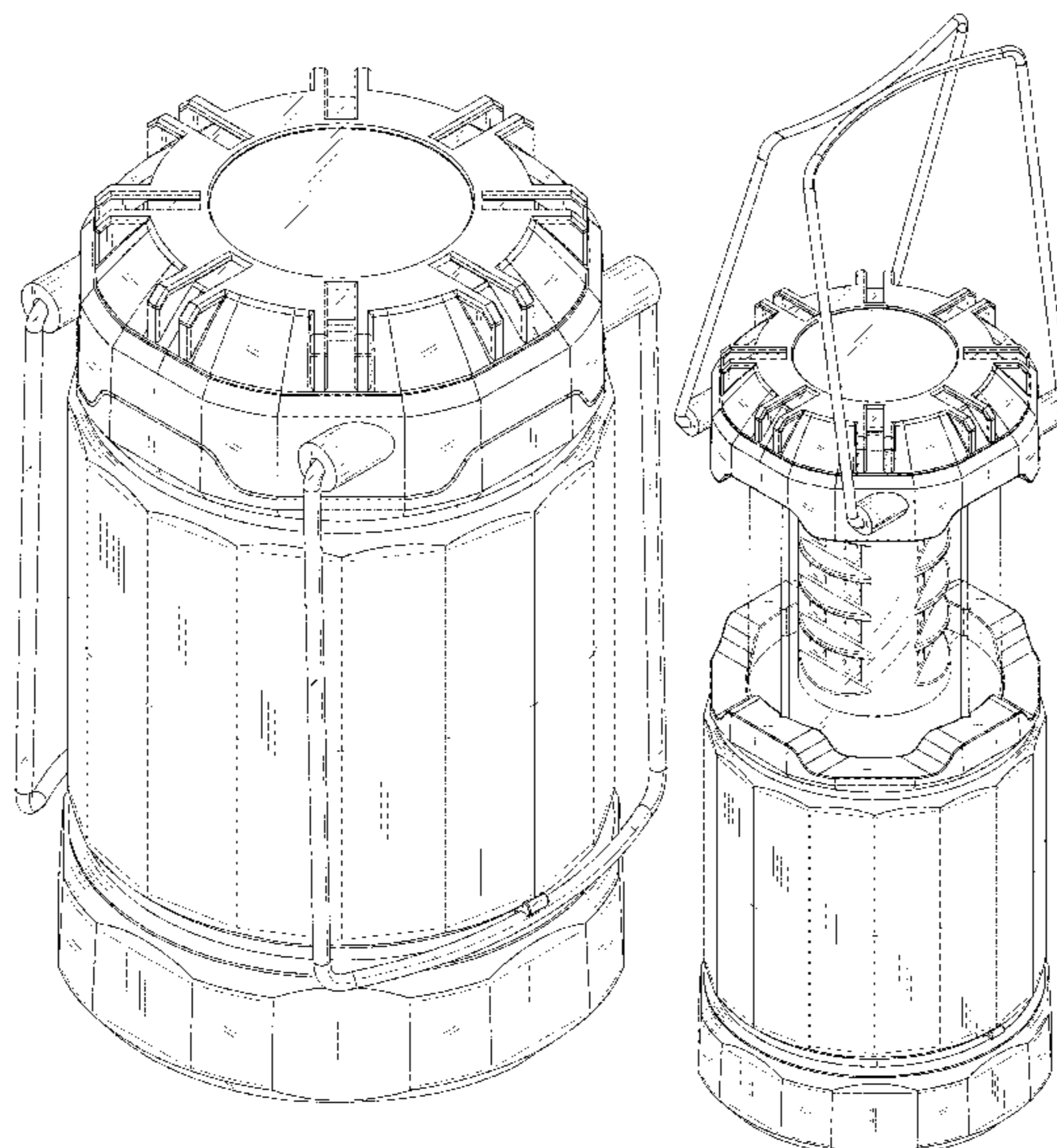
(74) *Attorney, Agent, or Firm* — Tsz Lung Yeung

(57) **CLAIM**

The ornamental design for an electric camping lantern, as shown and described.

FIG. 1 is a perspective view of an electric camping lantern showing my new design according to a first embodiment of my design;
FIG. 2 is a front view thereof;
FIG. 3 is a rear view thereof;
FIG. 4 is a left end view thereof;
FIG. 5 is a right end view thereof;
FIG. 6 is a top view thereof;
FIG. 7 is a bottom view thereof;
FIG. 8 is a bottom perspective view thereof;
FIG. 9 is a reduced perspective view thereof, shown in an open position.
FIG. 10 is a front view thereof;
FIG. 11 is a rear view thereof;
FIG. 12 is a left end view thereof;
FIG. 13 is a right end view thereof;
FIG. 14 is a top view thereof;
FIG. 15 is a bottom view thereof;
FIG. 16 is a perspective view of an electric camping lantern showing my new design according to a second embodiment of my design;
FIG. 17 is a front view thereof;
FIG. 18 is a rear view thereof;
FIG. 19 is a left end view thereof;
FIG. 20 is a right end view thereof;
FIG. 21 is a top view thereof;
FIG. 22 is a bottom view thereof;
FIG. 23 is a bottom perspective view thereof;
FIG. 24 is a reduced perspective view thereof, shown in an open position.
FIG. 25 is a front view thereof;
FIG. 26 is a rear view thereof;
FIG. 27 is a left end view thereof;
FIG. 28 is a right end view thereof;
FIG. 29 is a top view thereof; and,
FIG. 30 is a bottom view thereof.
The broken lines in the drawings represent unclaimed portions and form no part of the claim.

1 Claim, 30 Drawing Sheets



(56)

References Cited

U.S. PATENT DOCUMENTS

D844,201 S	*	3/2019	Khubani	D26/40
D846,168 S	*	4/2019	Badici	D26/40
D850,683 S	*	6/2019	Shelton	D26/41

* cited by examiner

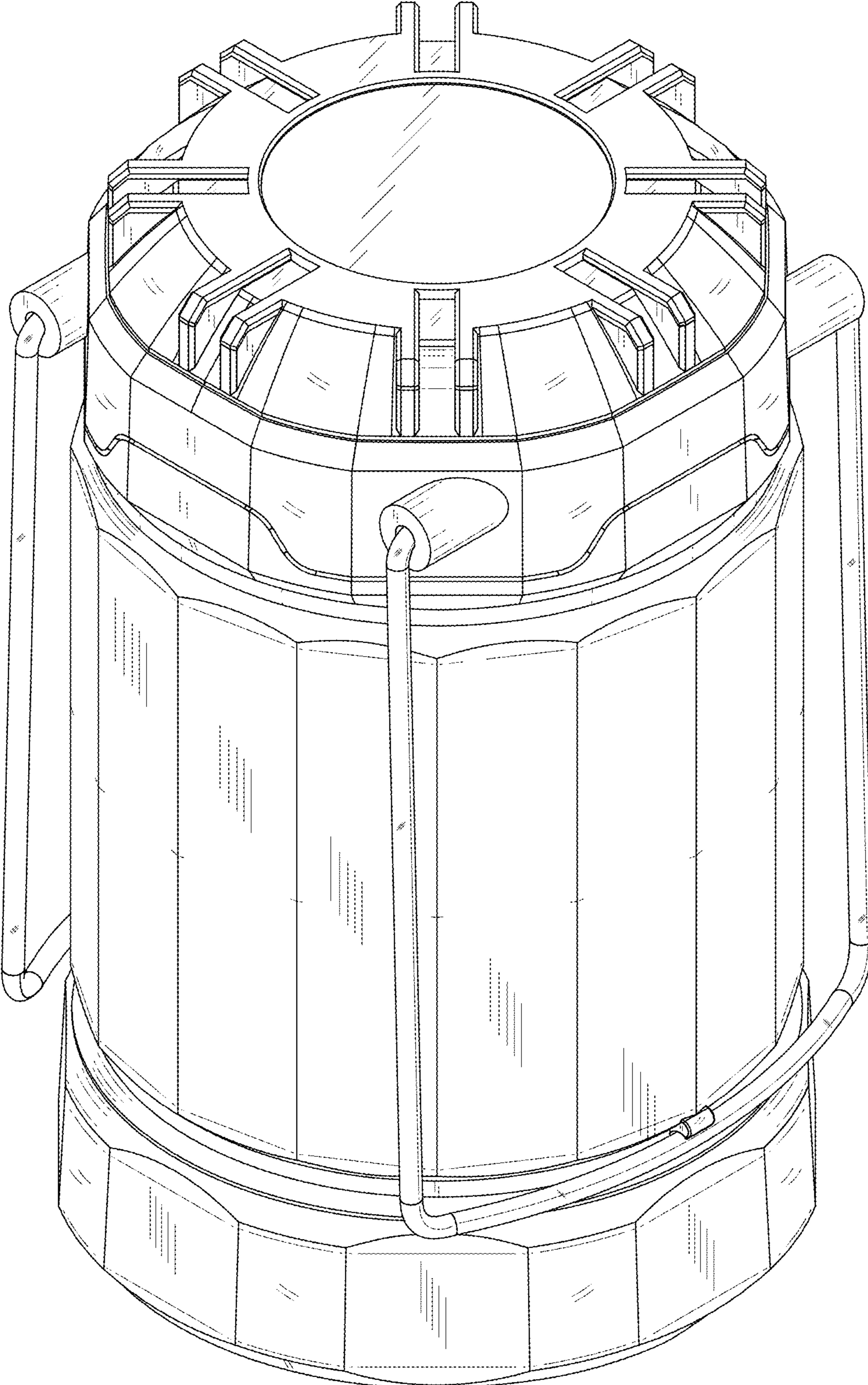


FIG. 1

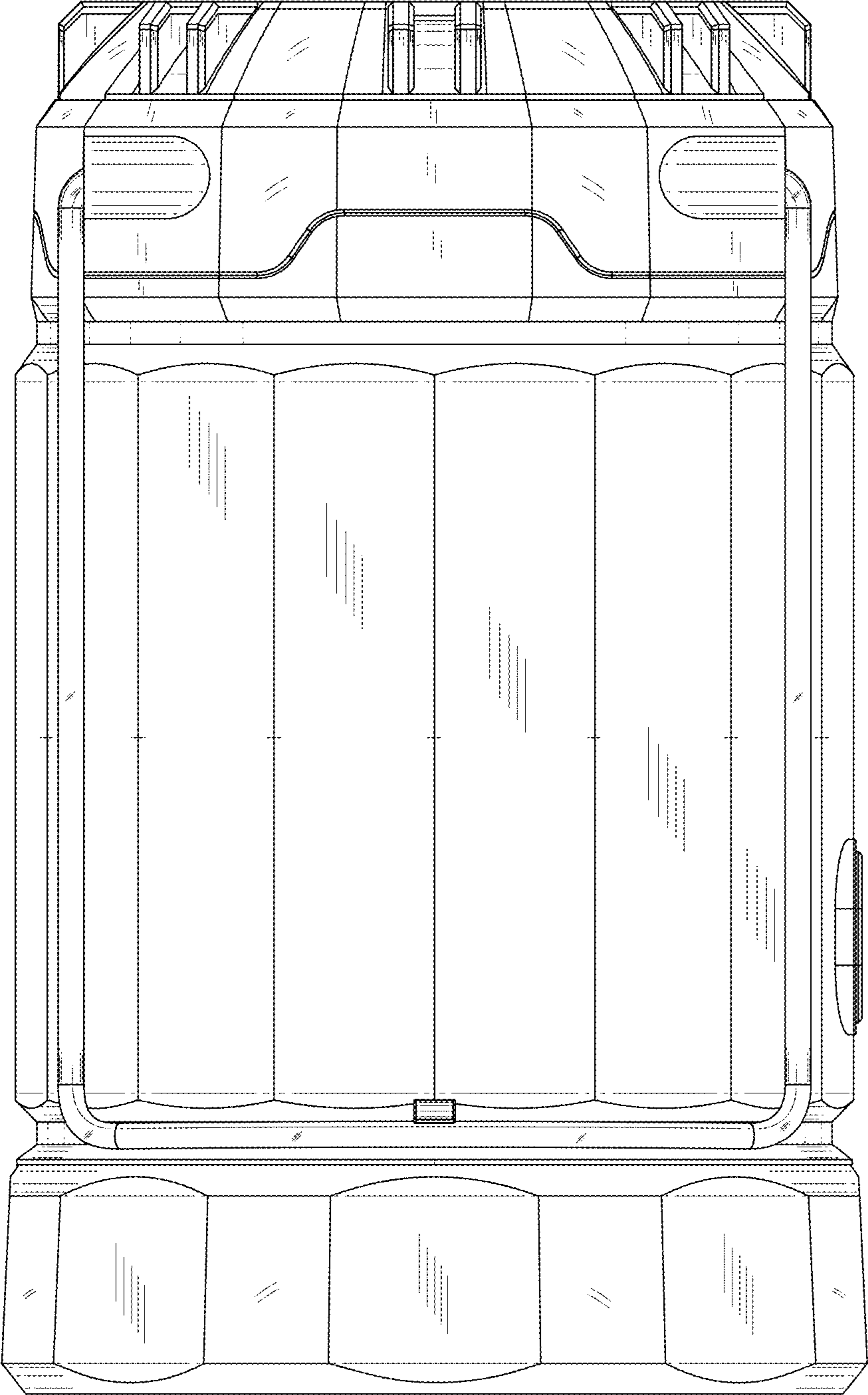


FIG.2

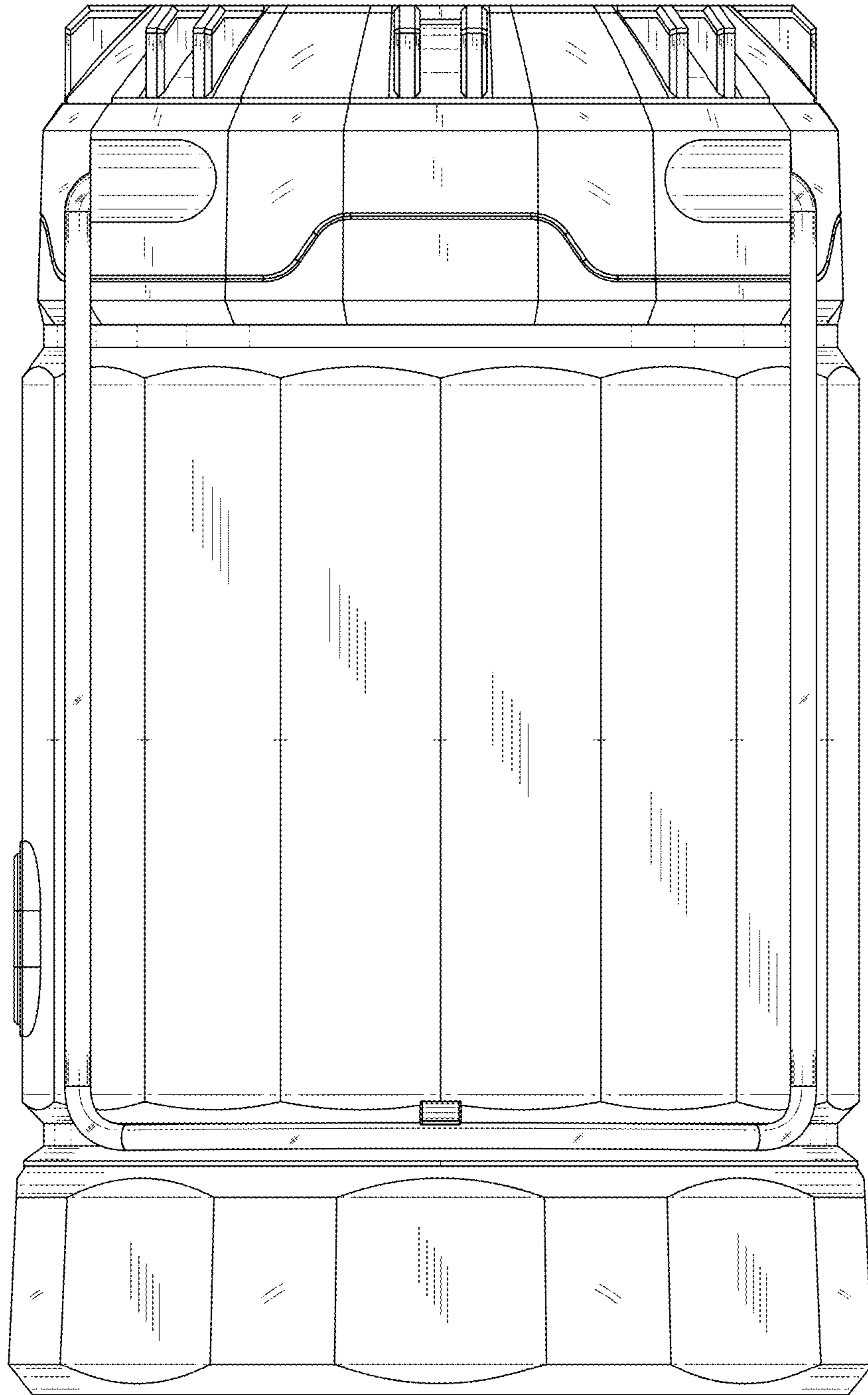


FIG.3

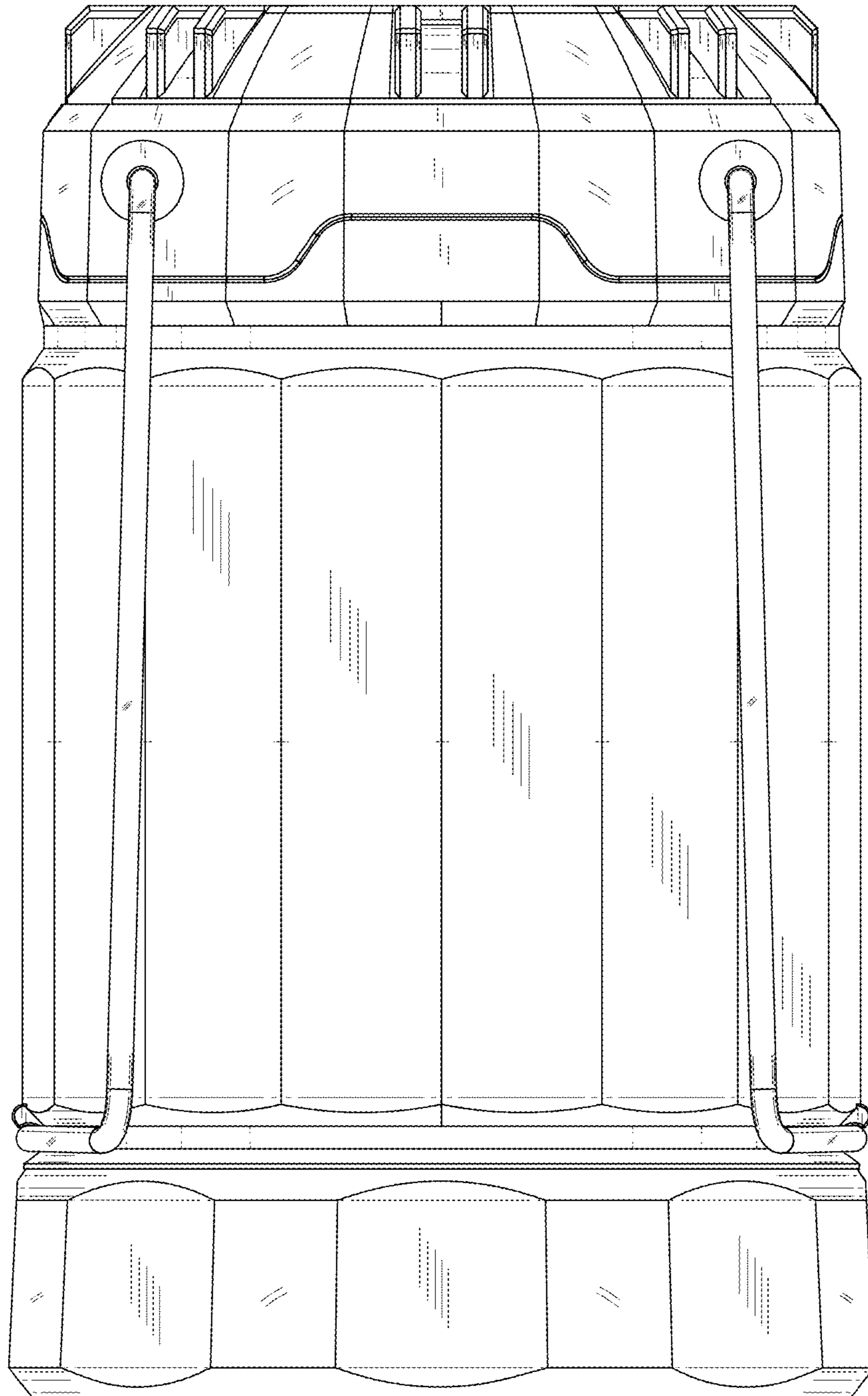


FIG.4

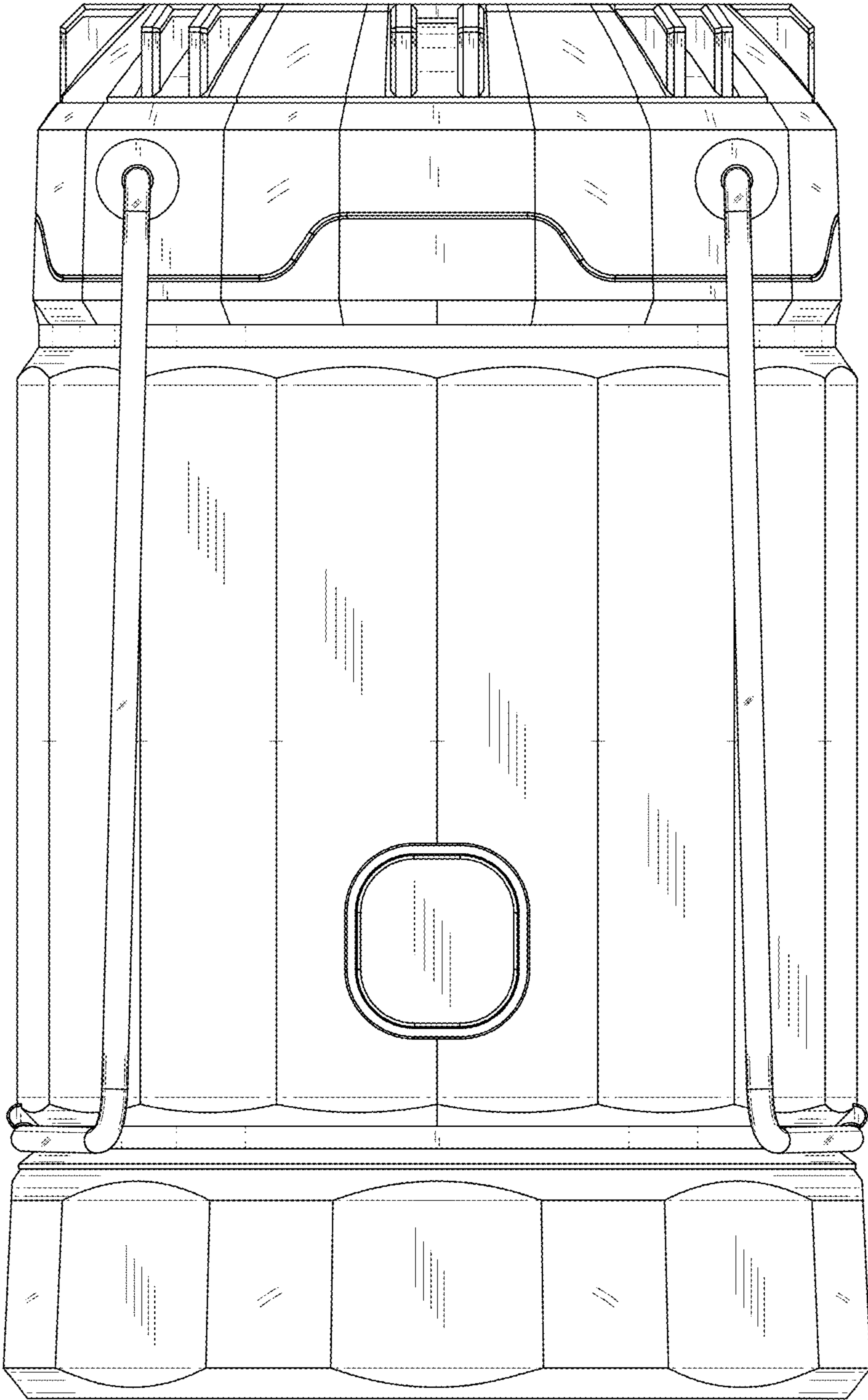


FIG.5

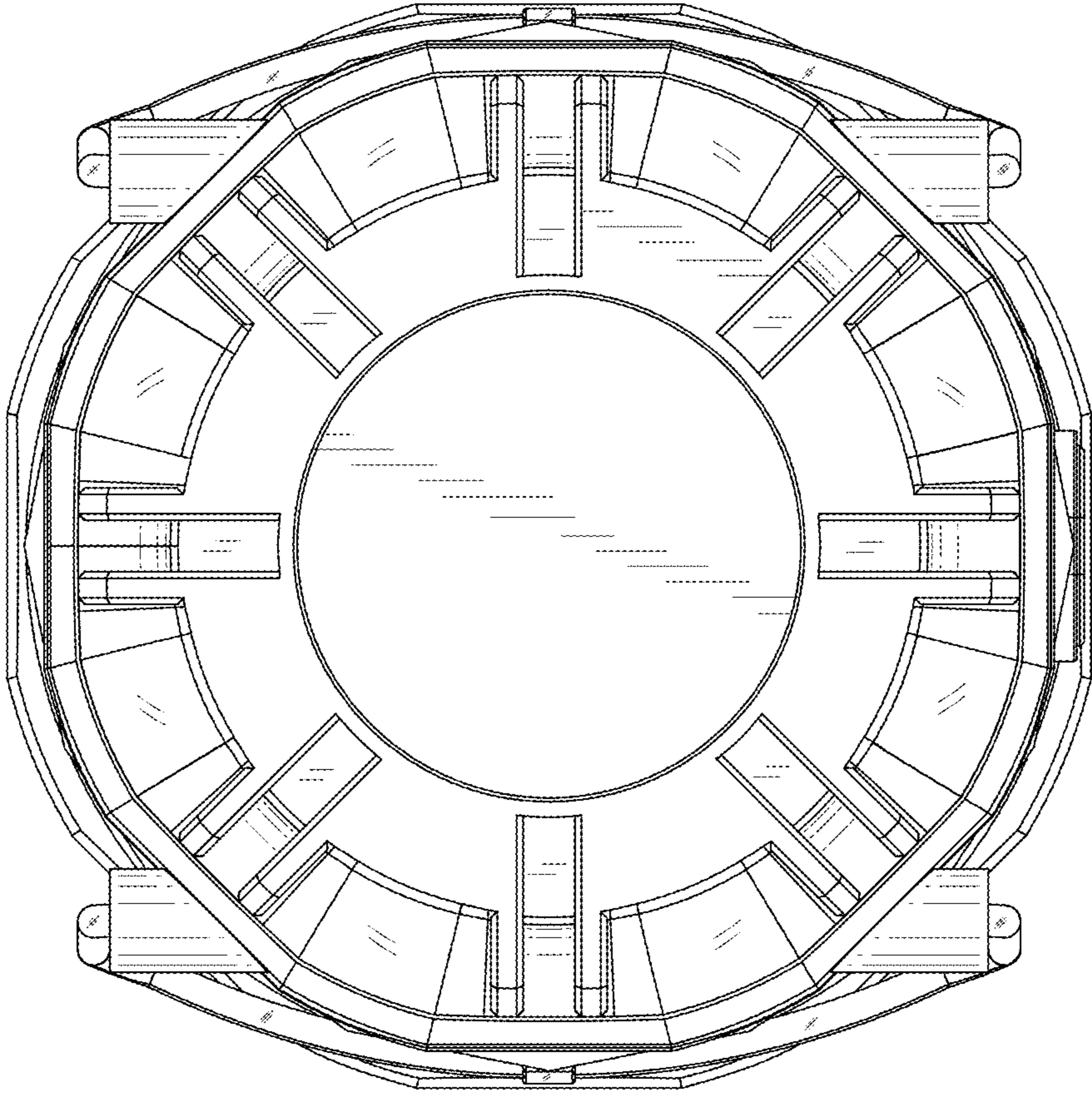


FIG.6

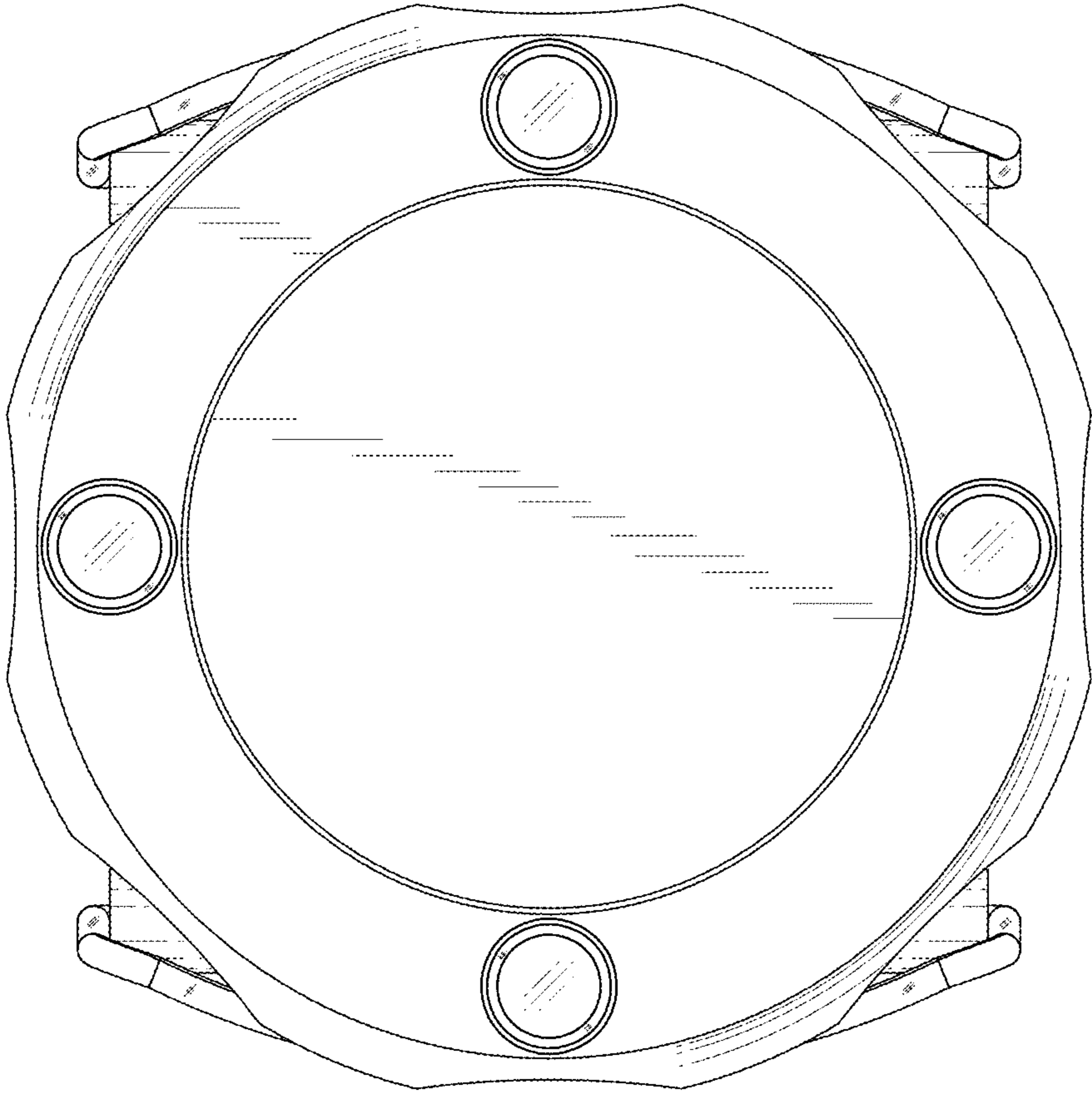


FIG.7

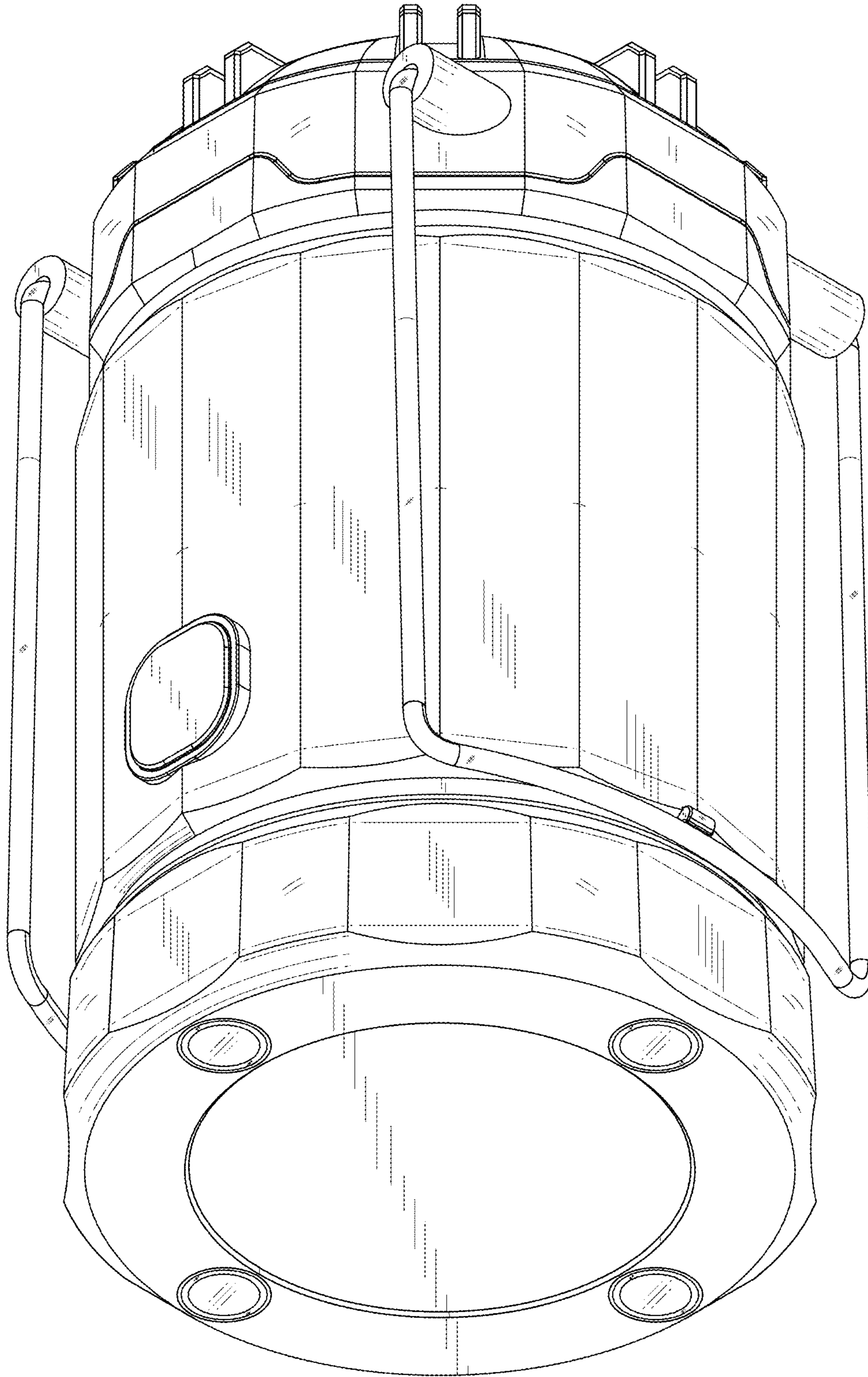


FIG.8

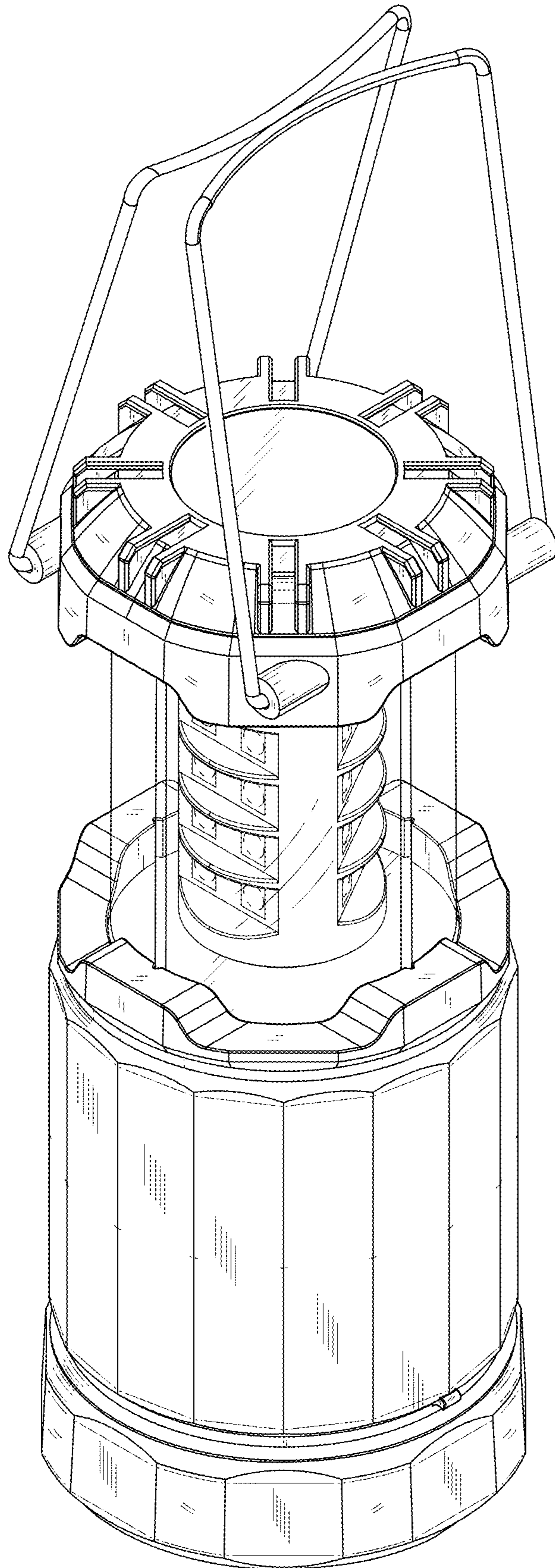


FIG.9

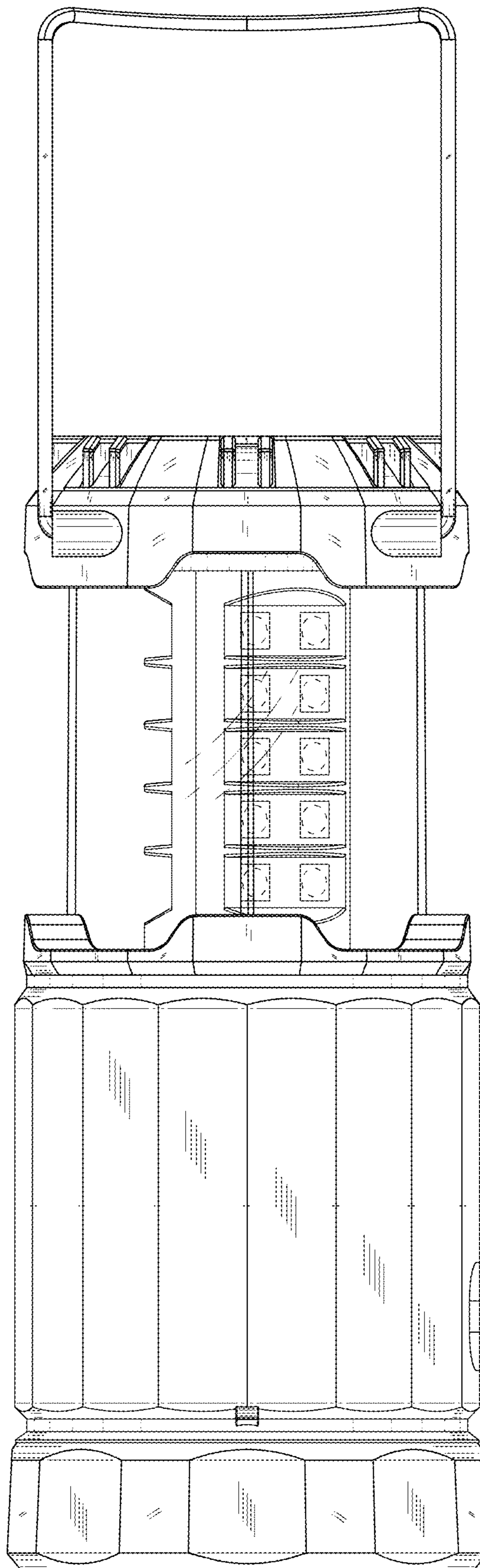


FIG.10

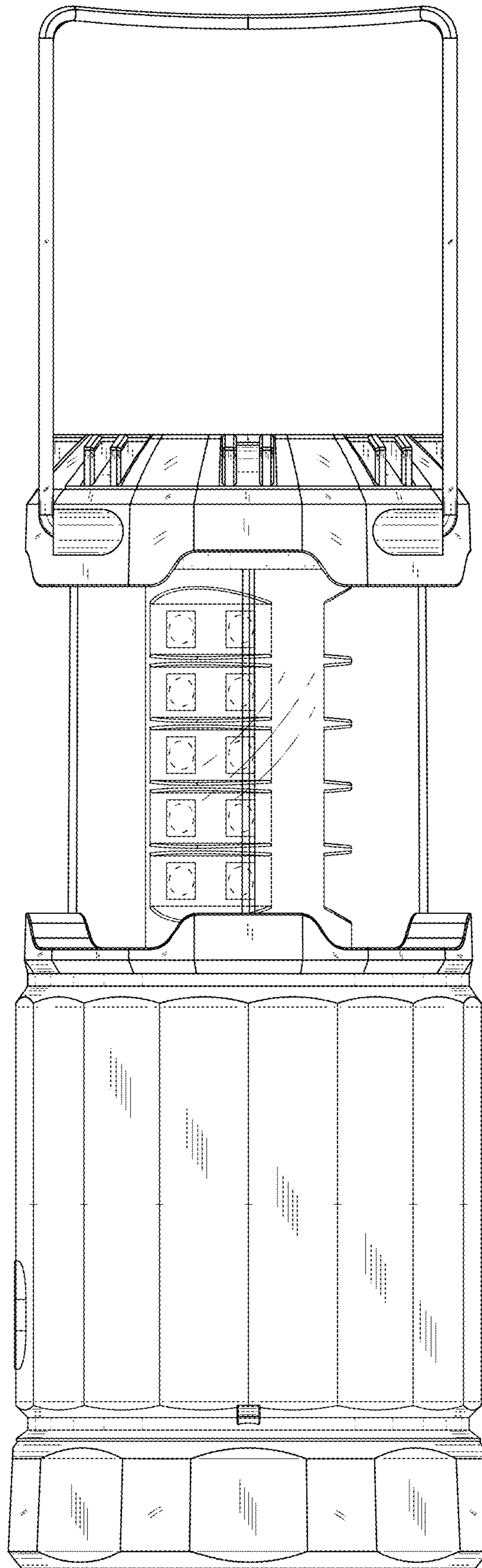


FIG.11

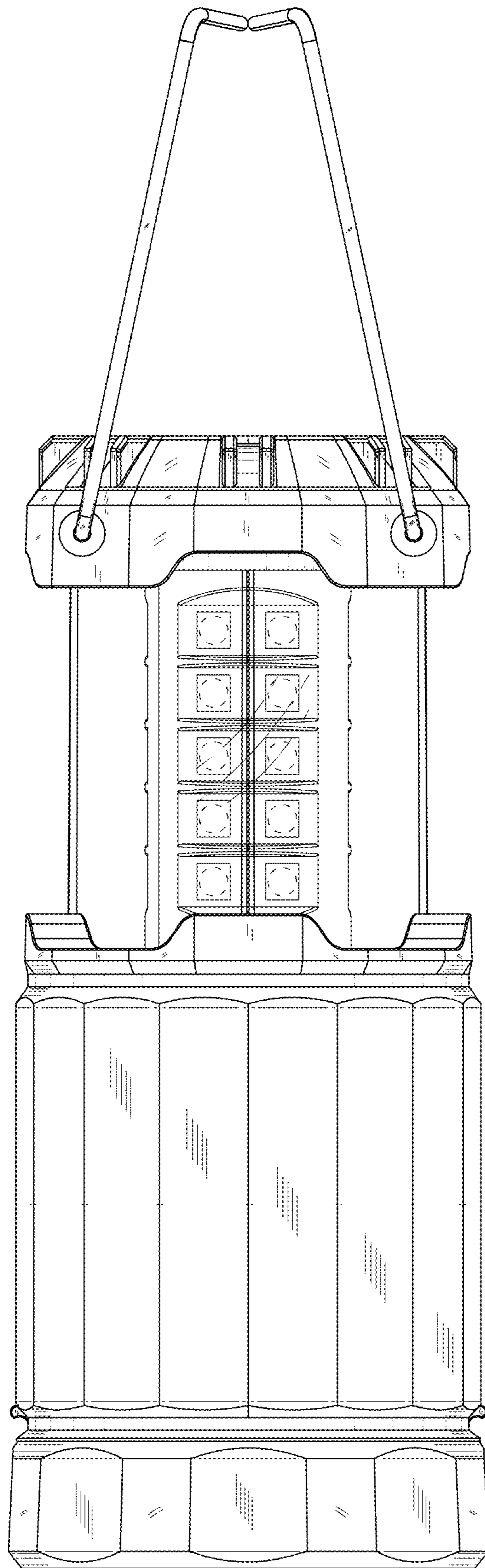


FIG.12

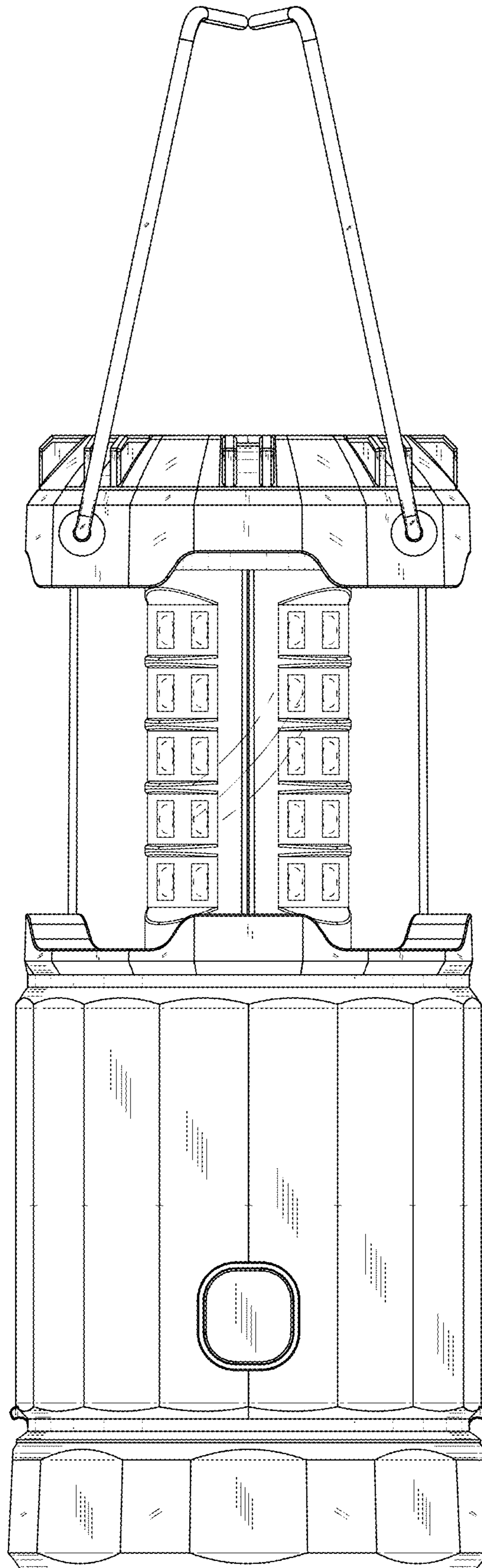


FIG.13

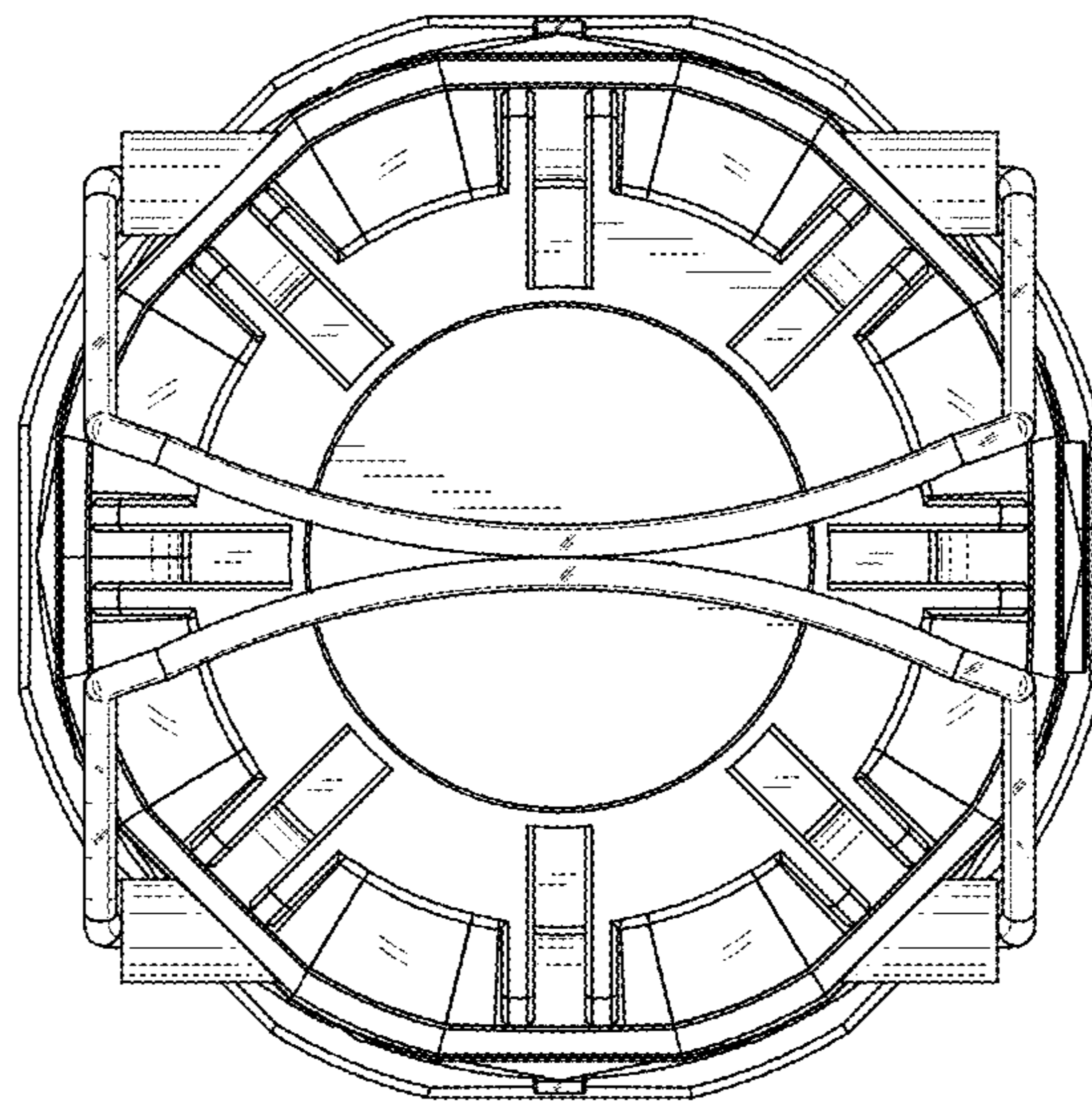


FIG.14

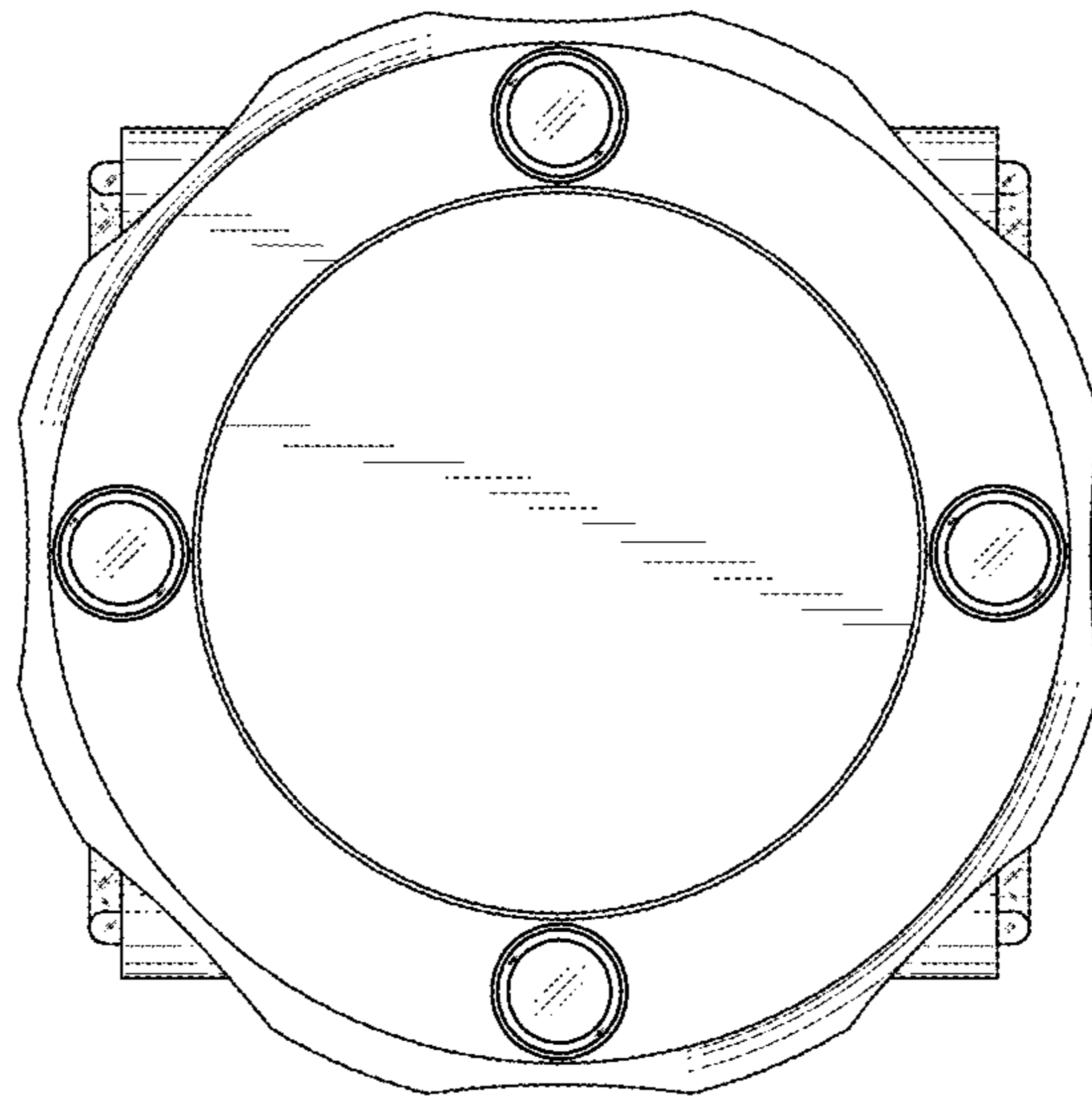


FIG.15

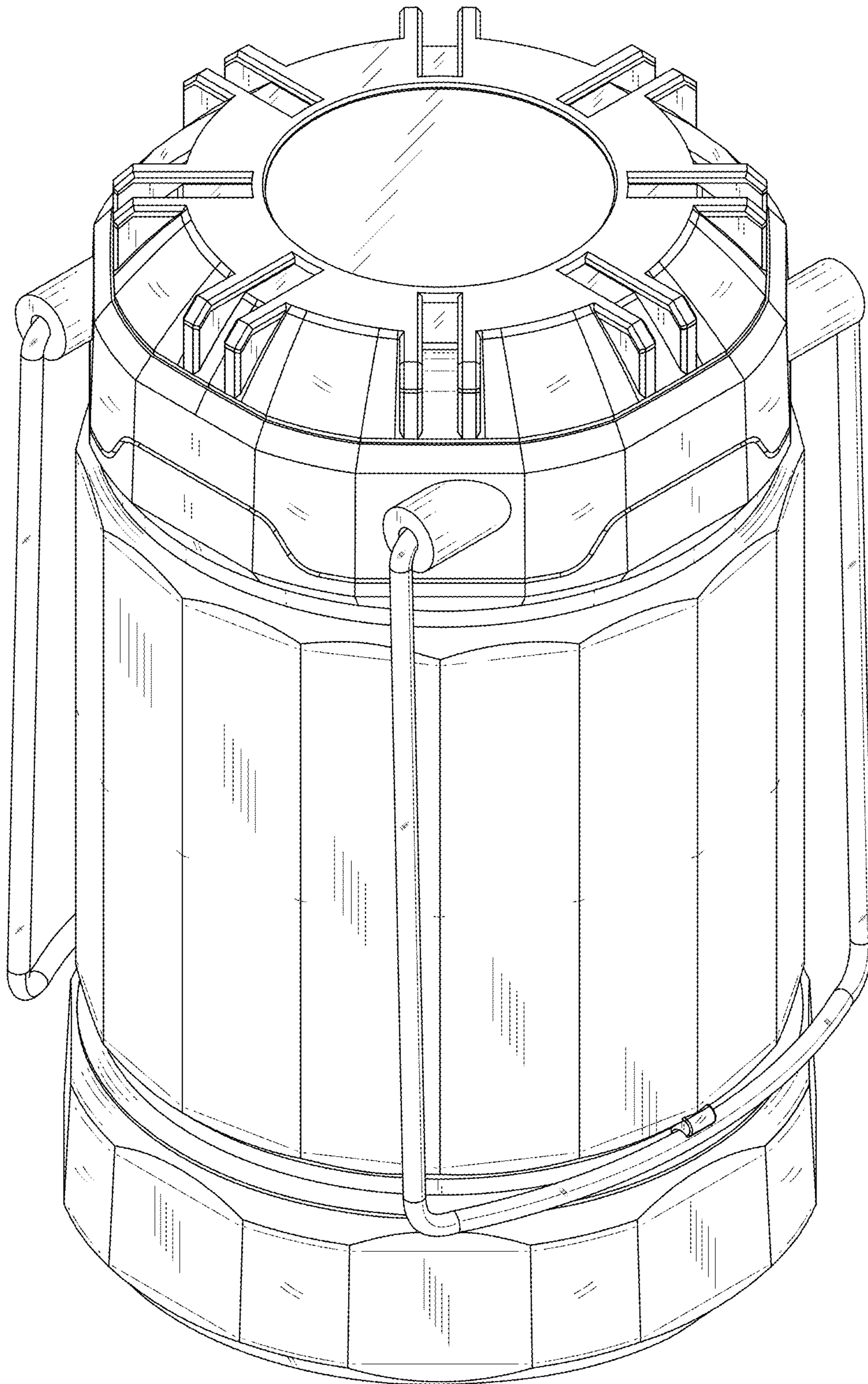


FIG. 16

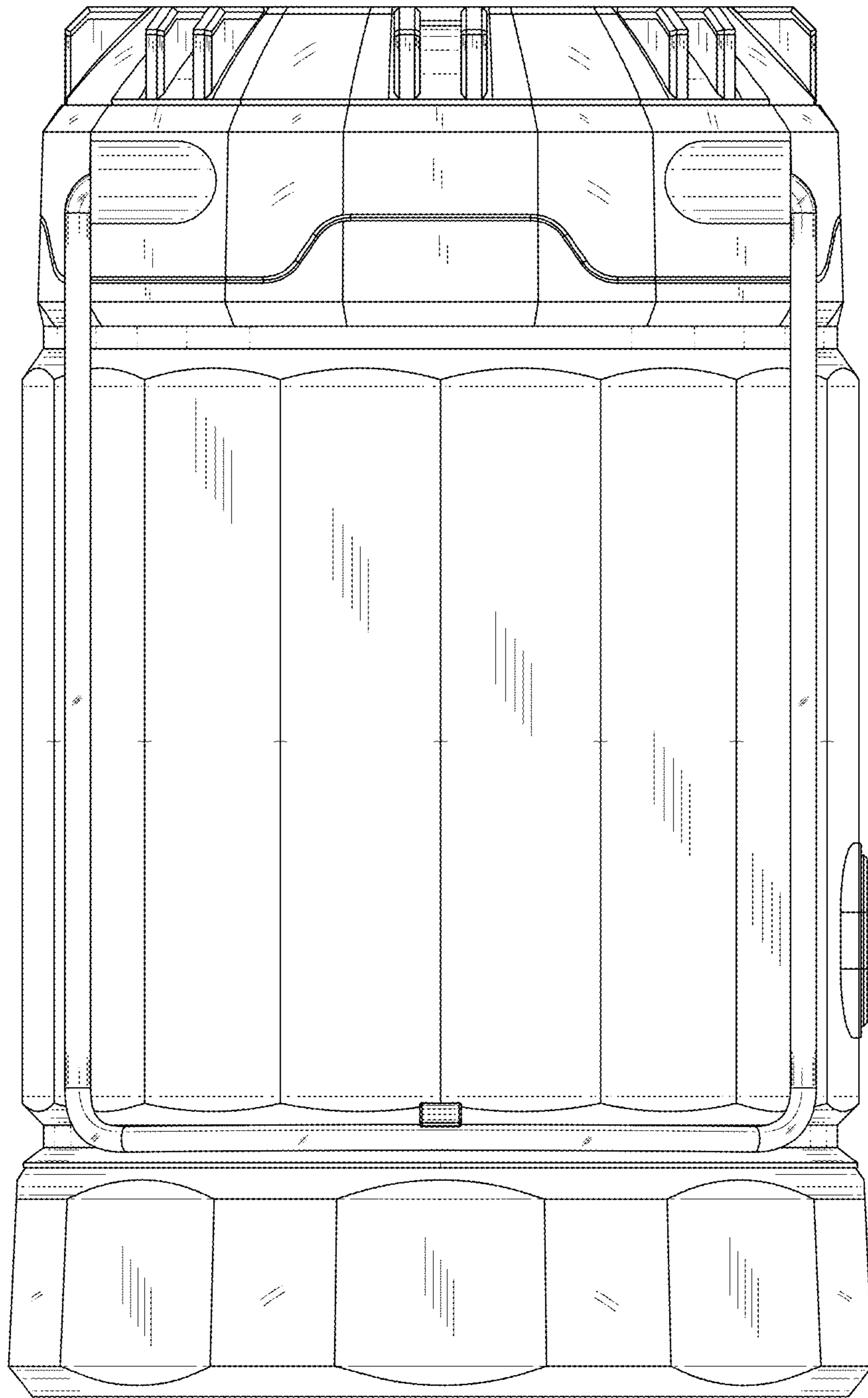


FIG.17

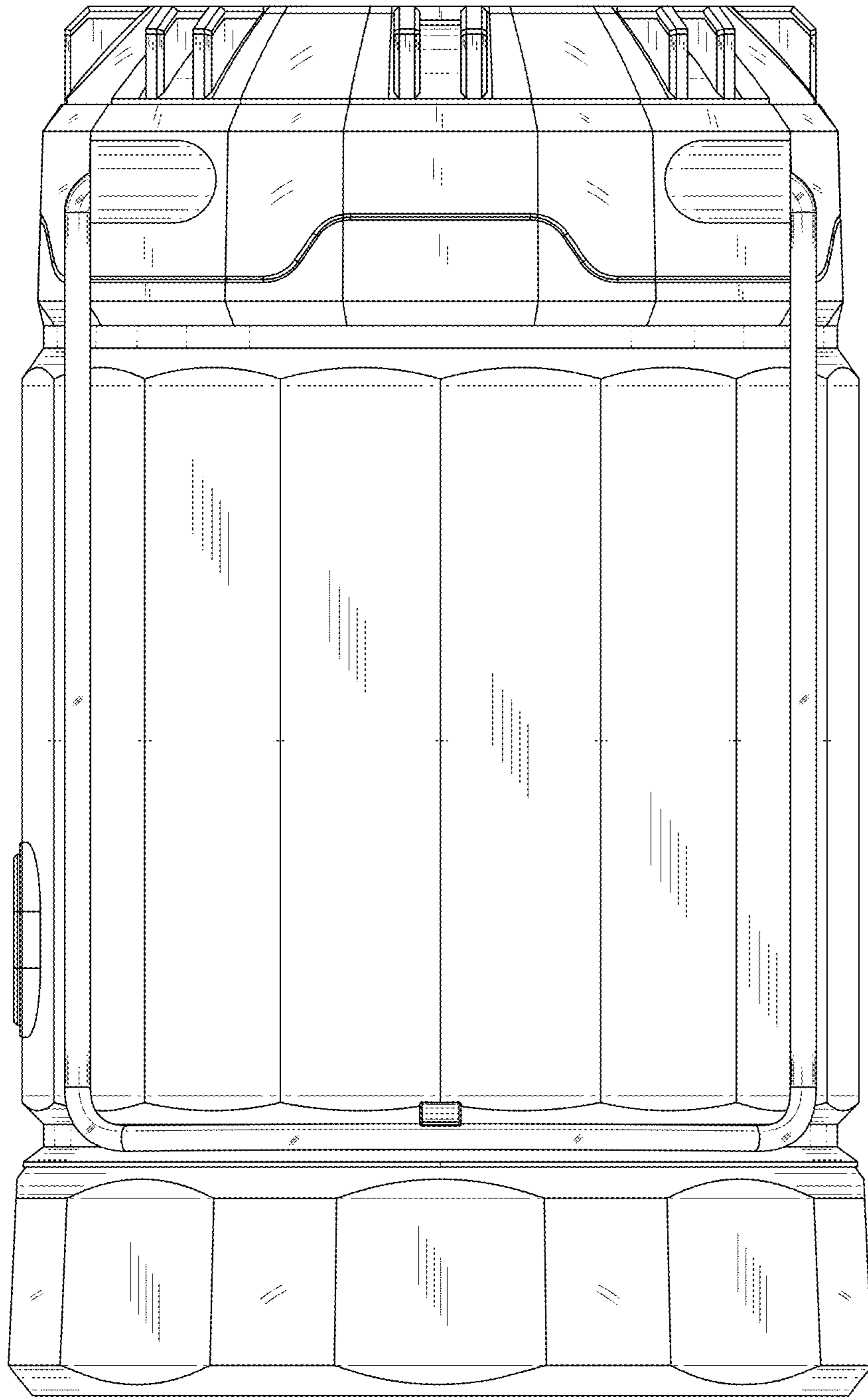


FIG.18

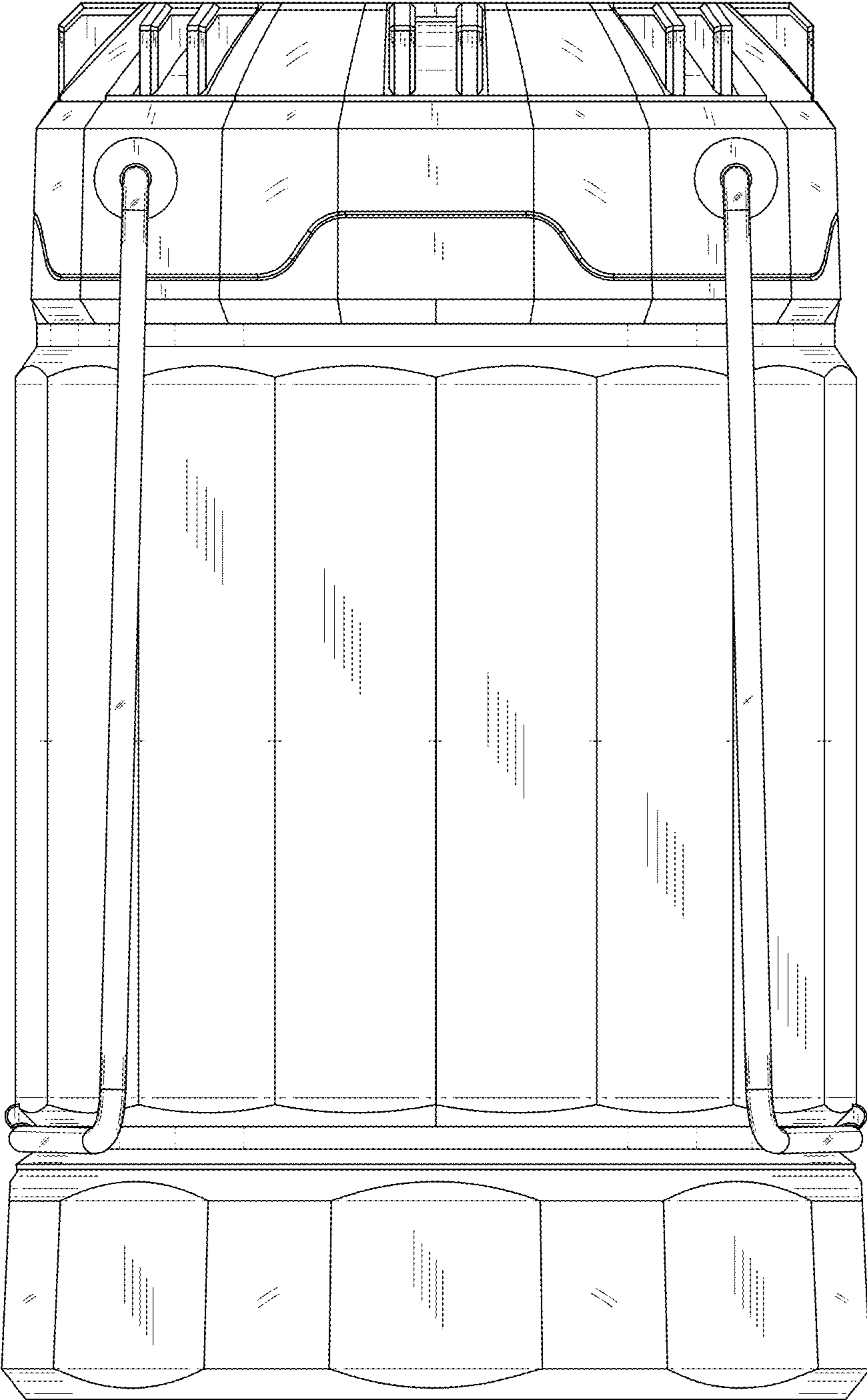


FIG. 19

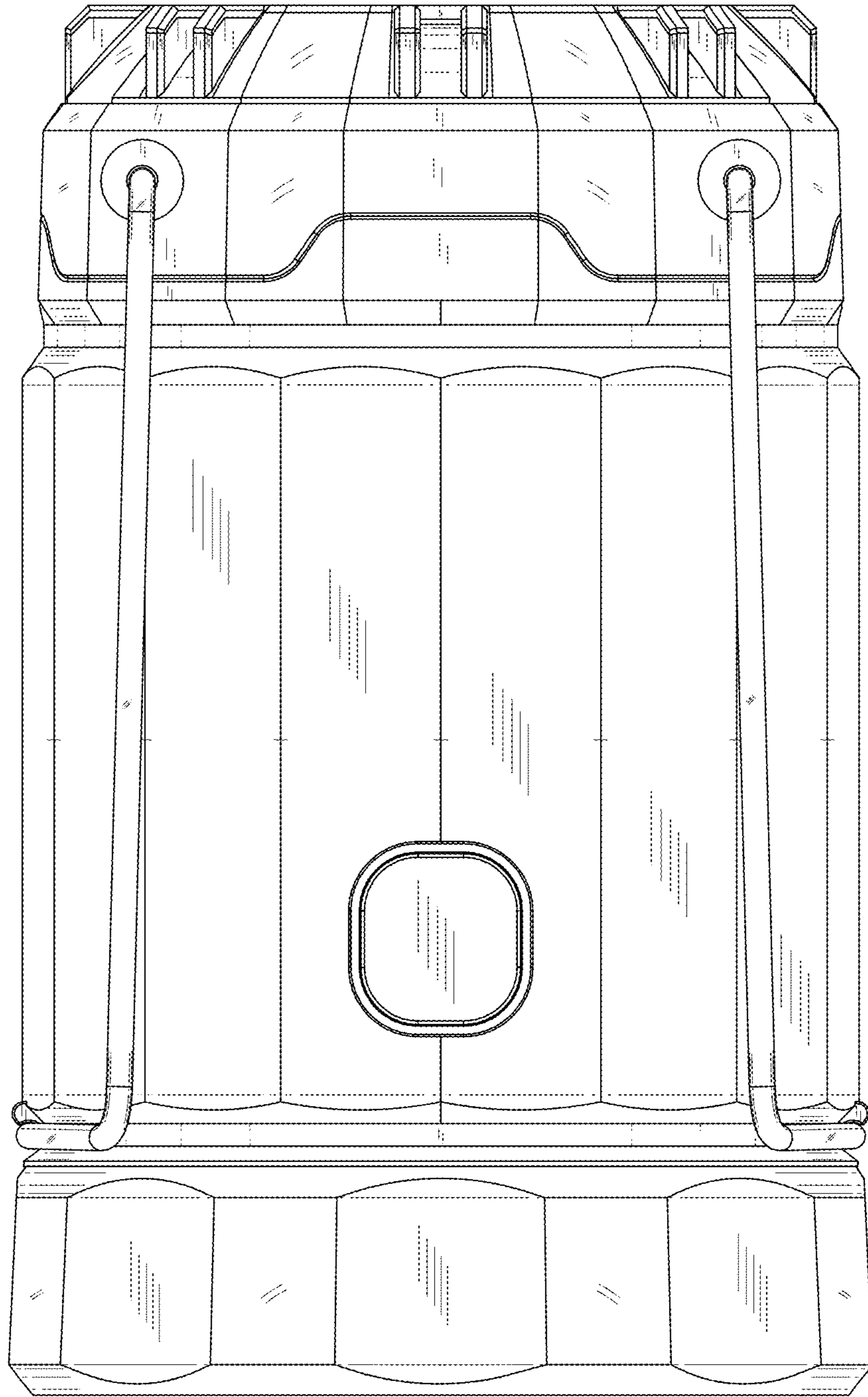


FIG.20

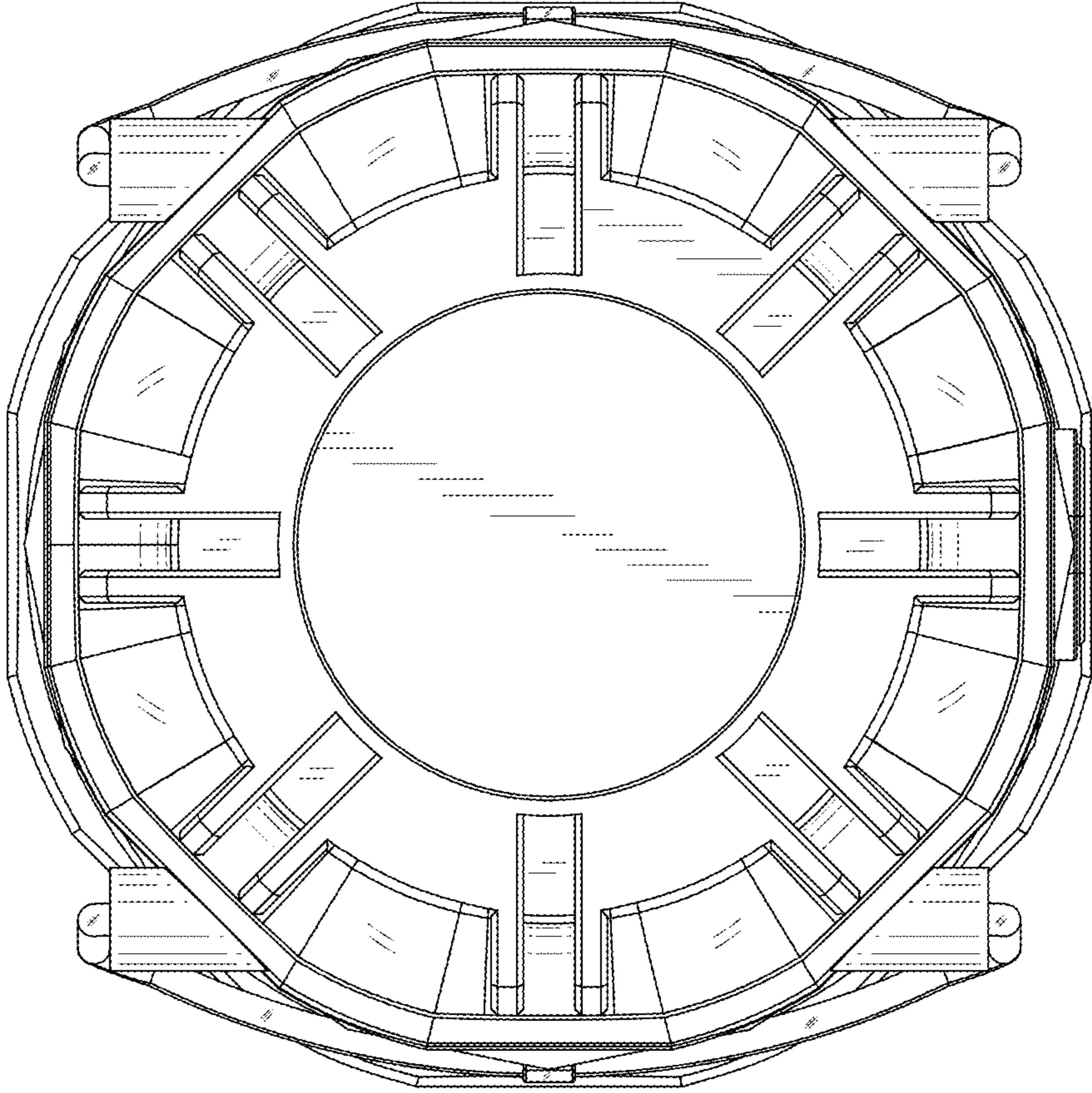


FIG.21

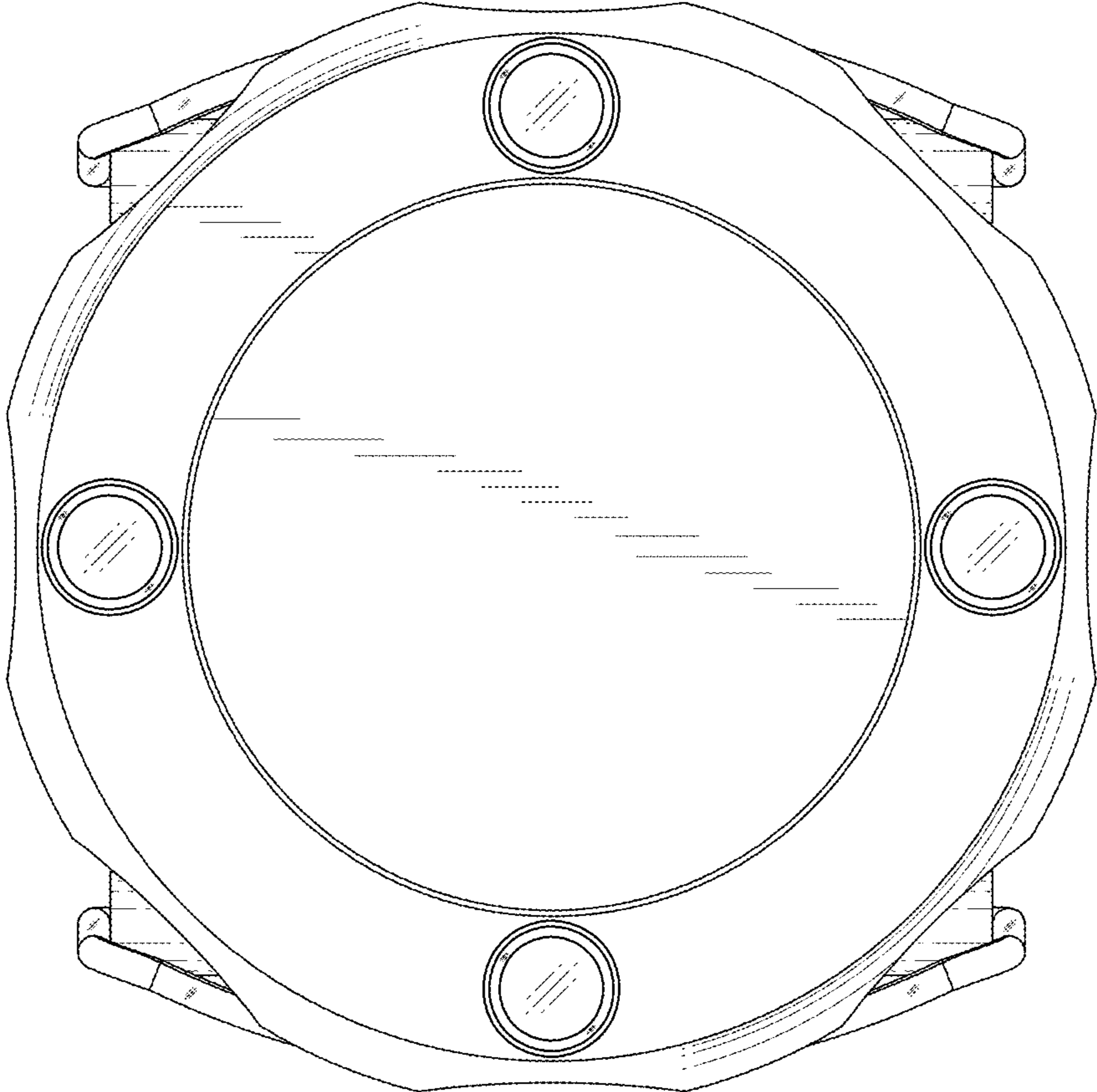


FIG.22

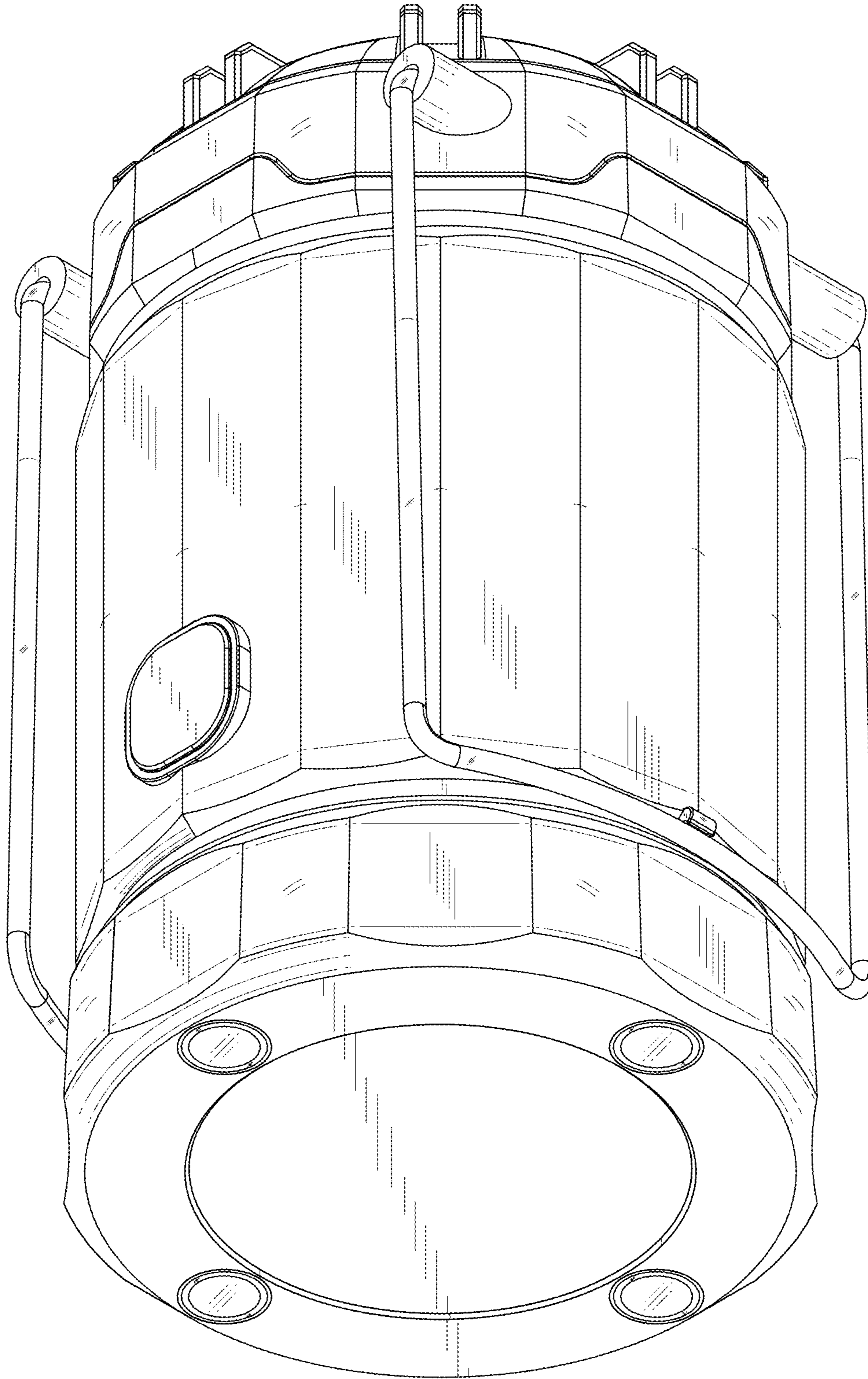


FIG.23

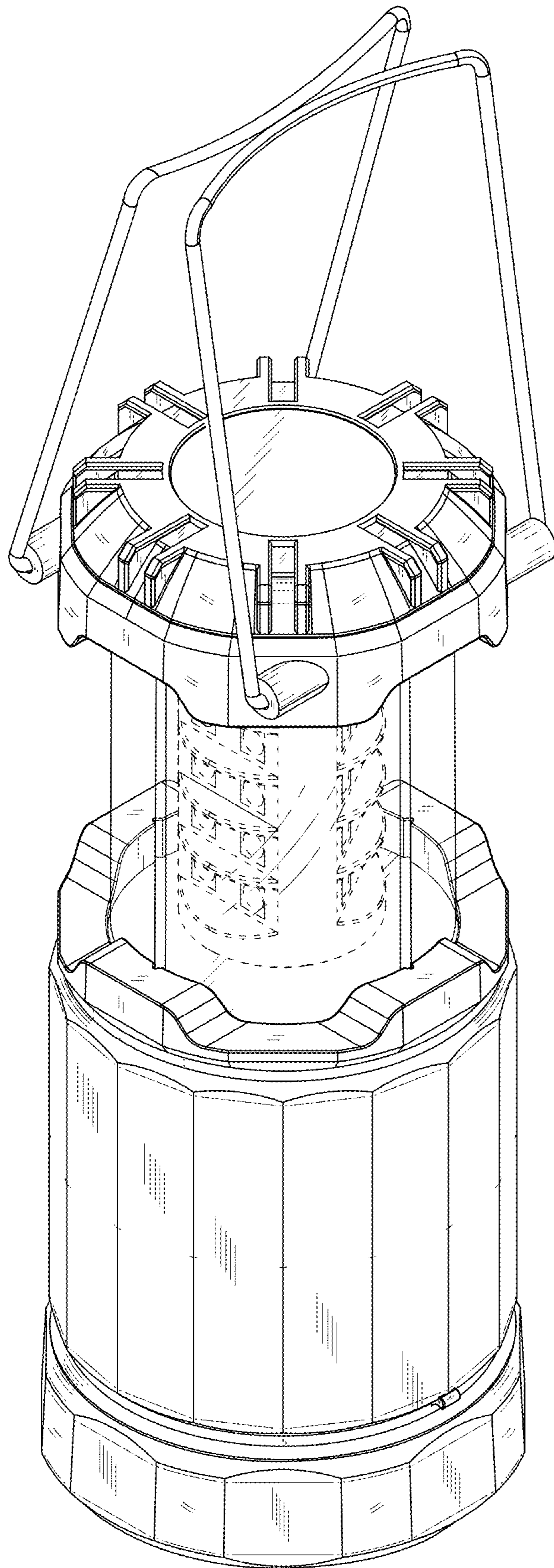


FIG.24

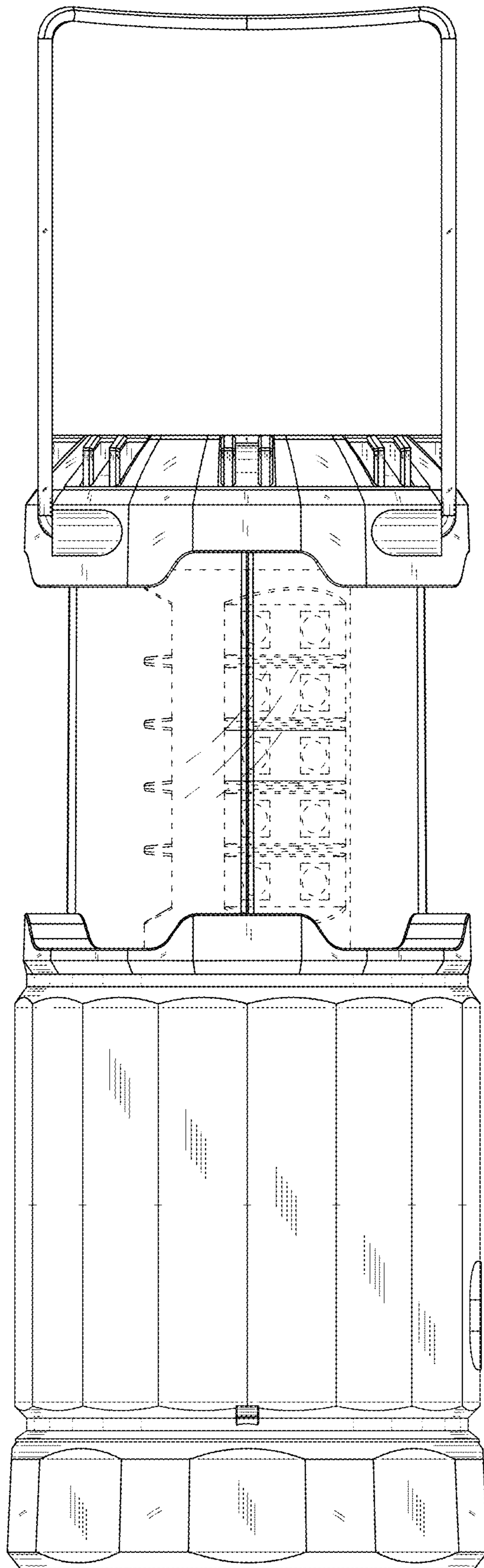


FIG.25

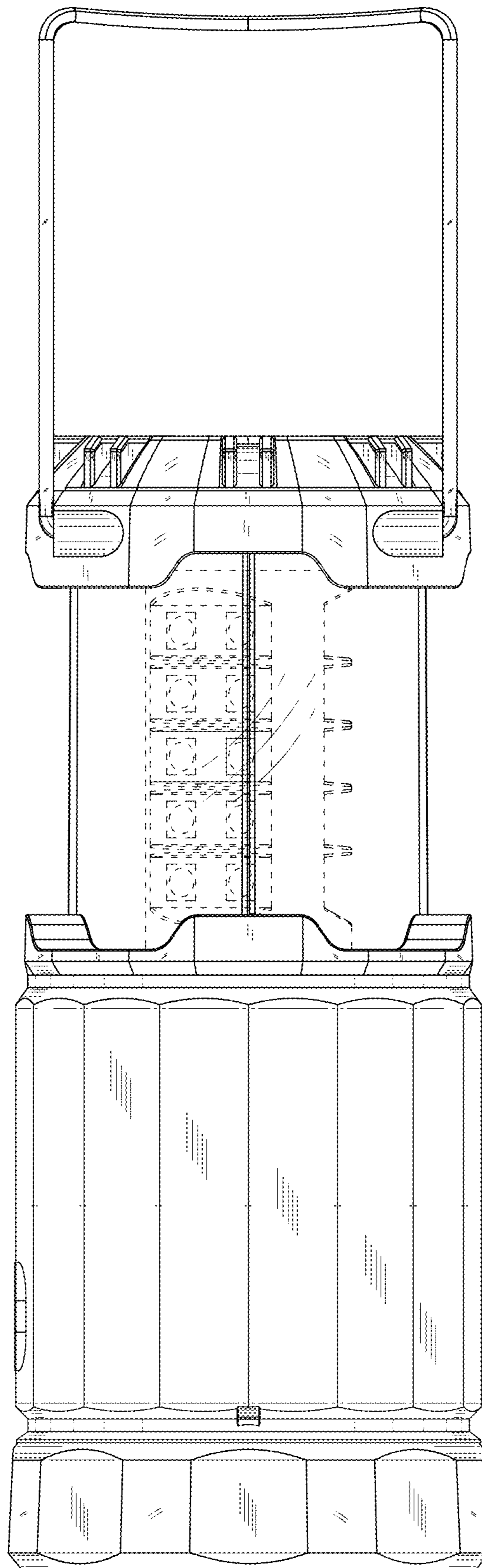


FIG.26

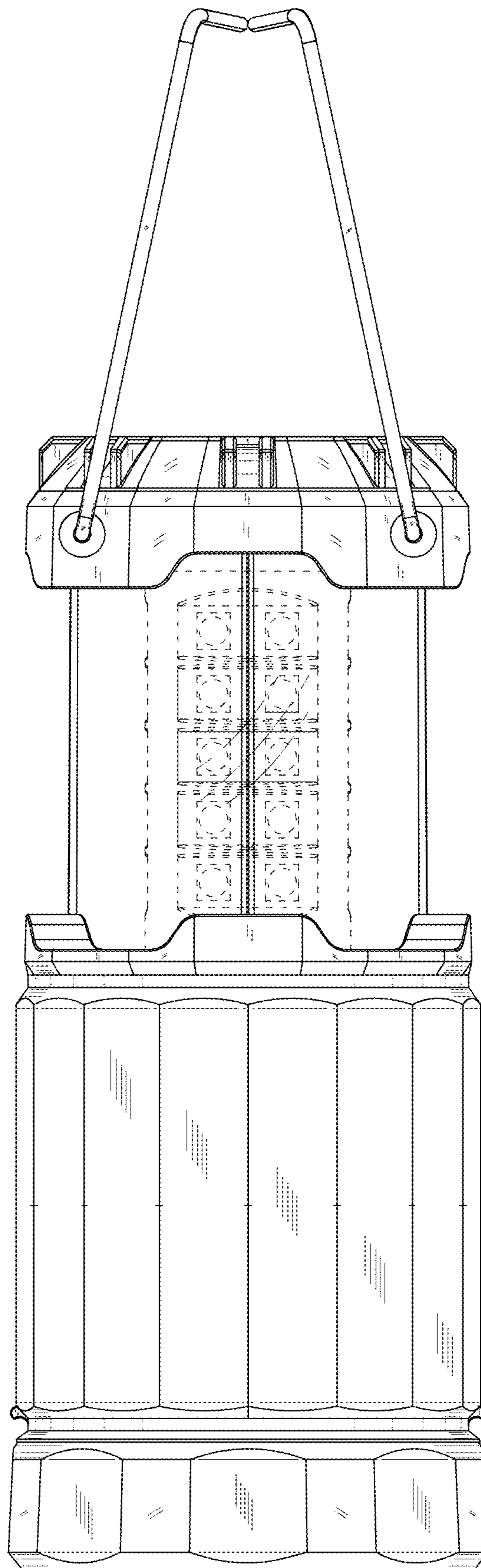


FIG.27

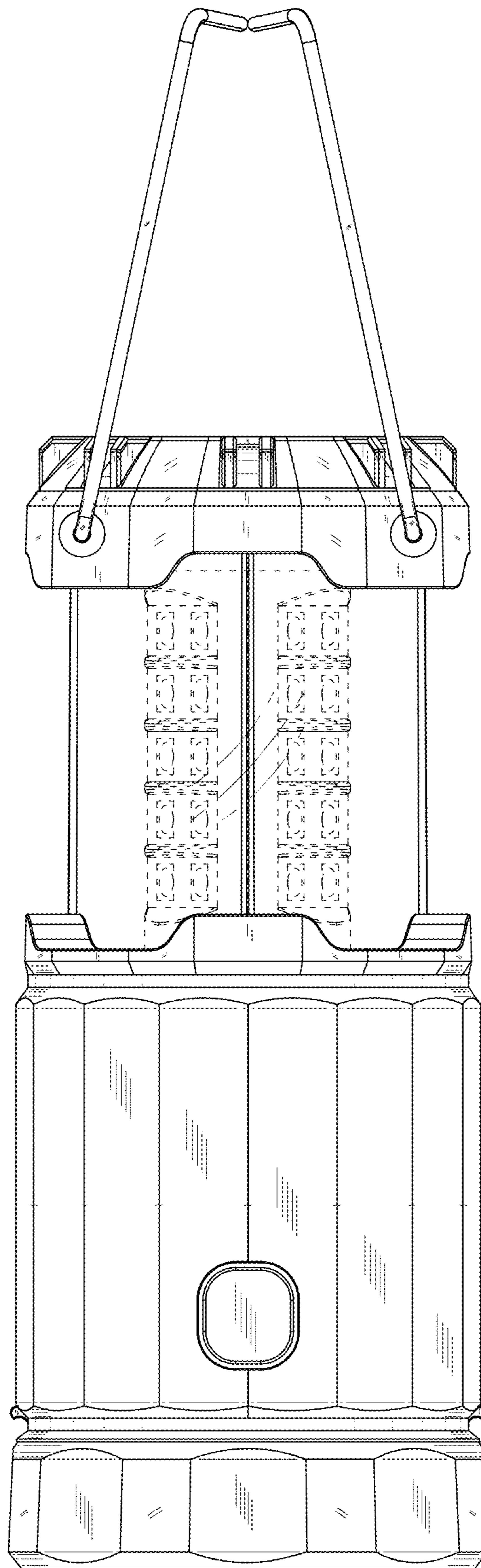


FIG.28

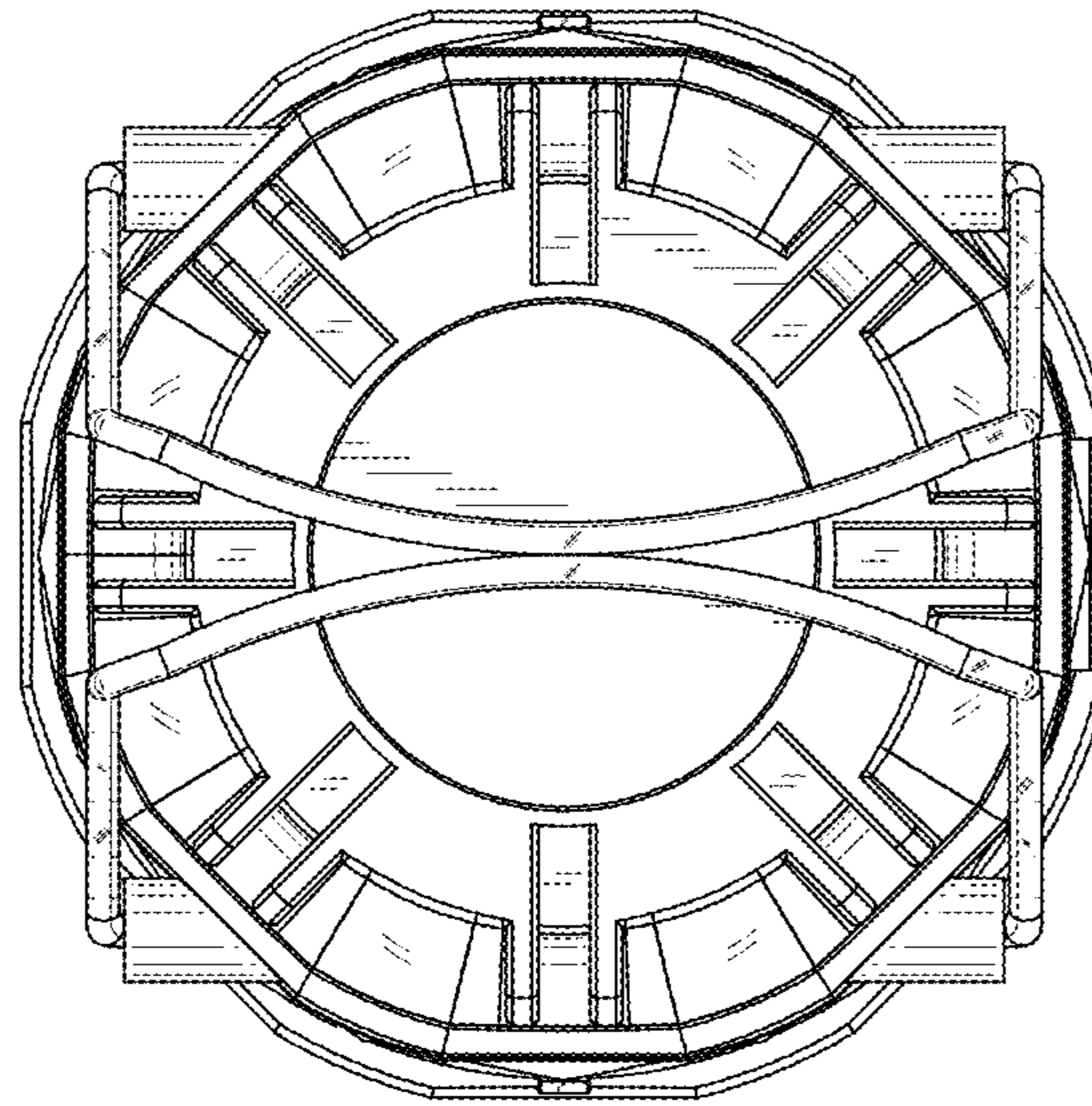


FIG.29

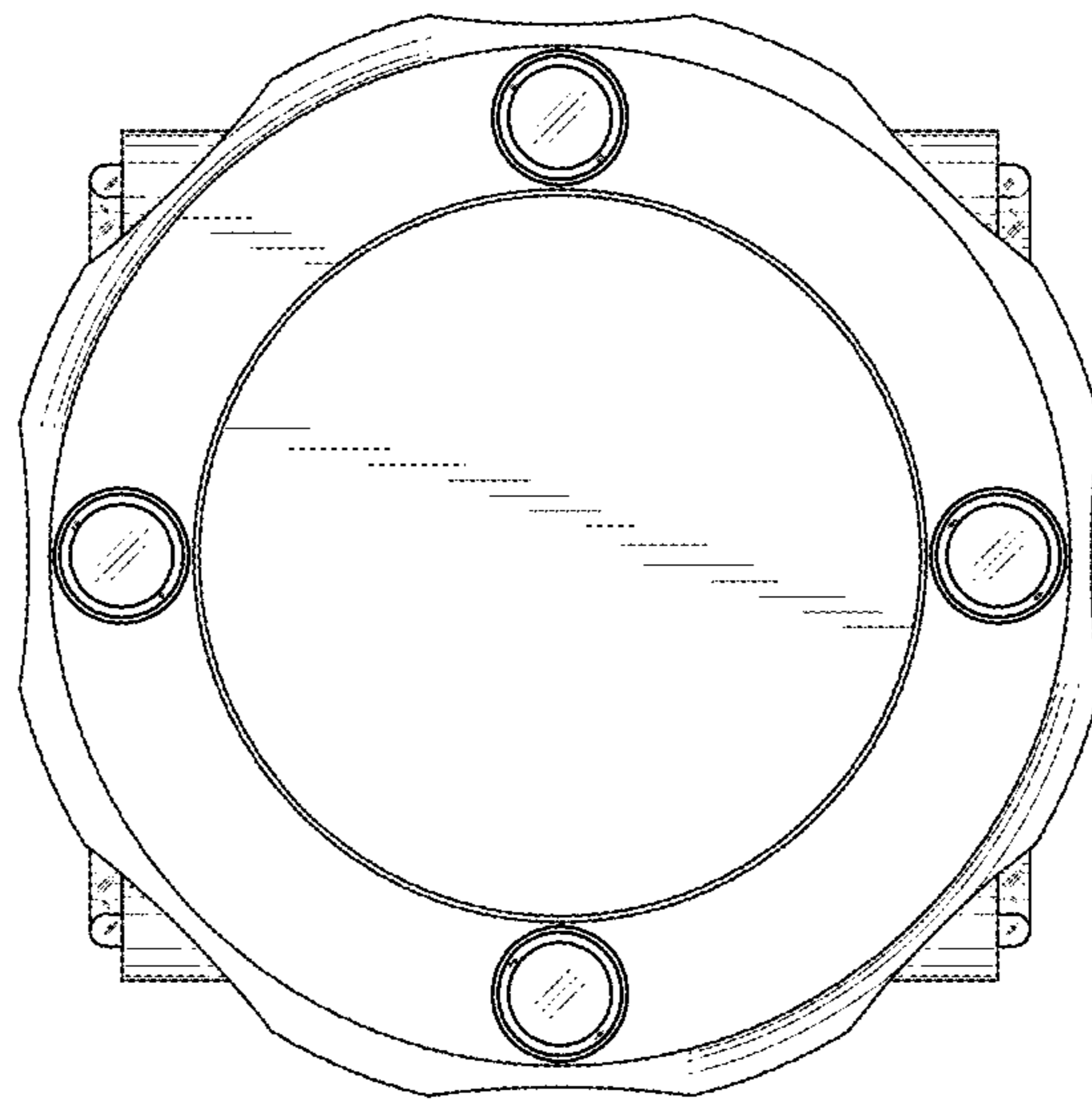


FIG.30