



US00D894453S

(12) **United States Design Patent**
Woodhouse et al.

(10) **Patent No.:** **US D894,453 S**

(45) **Date of Patent:** **** Aug. 25, 2020**

(54) **VEHICLE REAR CENTER TAIL LAMP BAR**

(71) Applicant: **Ford Global Technologies, LLC,**
Dearborn, MI (US)

(72) Inventors: **David Woodhouse,** Troy, MI (US);
Kemal Curic, Irvine, CA (US); **Shawn Wehrly,** Northville, MI (US); **Michal Illukiewicz,** Bloomfield Hills, MI (US)

(73) Assignee: **Ford Global Technologies, LLC,**
Dearborn, MI (US)

(**) Term: **15 Years**

(21) Appl. No.: **29/685,610**

(22) Filed: **Mar. 29, 2019**

(51) **LOC (12) Cl.** **26-06**

(52) **U.S. Cl.**

USPC **D26/31**

(58) **Field of Classification Search**

USPC D26/28-36, 139

CPC F21S 48/00; F21S 48/10; F21S 48/115;

F21S 48/225; F21S 48/1233; F21S

48/1266; F21S 48/1388; F21S 48/2268;

F21V 21/04; F21V 29/004; B60Q 9/13;

B60Q 9/135; B60Q 9/1375

See application file for complete search history.

(56) **References Cited**

U.S. PATENT DOCUMENTS

D400,992 S * 11/1998 Runninski D26/31

D459,010 S * 6/2002 Holmberg D26/31

D526,430 S * 8/2006 Hernandez D26/31

D576,754 S * 9/2008 Wang D26/31

D653,783 S * 2/2012 Biro D26/31

D656,258 S * 3/2012 Georgitsis B60Q 1/0483

D26/31

D676,990 S * 2/2013 Adams D26/31

D738,551 S 9/2015 Diephuis et al.

* cited by examiner

Primary Examiner — Marcus A Jackson

(74) *Attorney, Agent, or Firm* — Vichit Chea

(57) **CLAIM**

The ornamental design for a vehicle rear center tail lamp bar, as shown and described.

DESCRIPTION

FIG. 1 is a front elevational view of a vehicle rear center tail lamp bar, showing our new design;

FIG. 2 is a left side elevational view thereof;

FIG. 3 is a right side elevational view thereof;

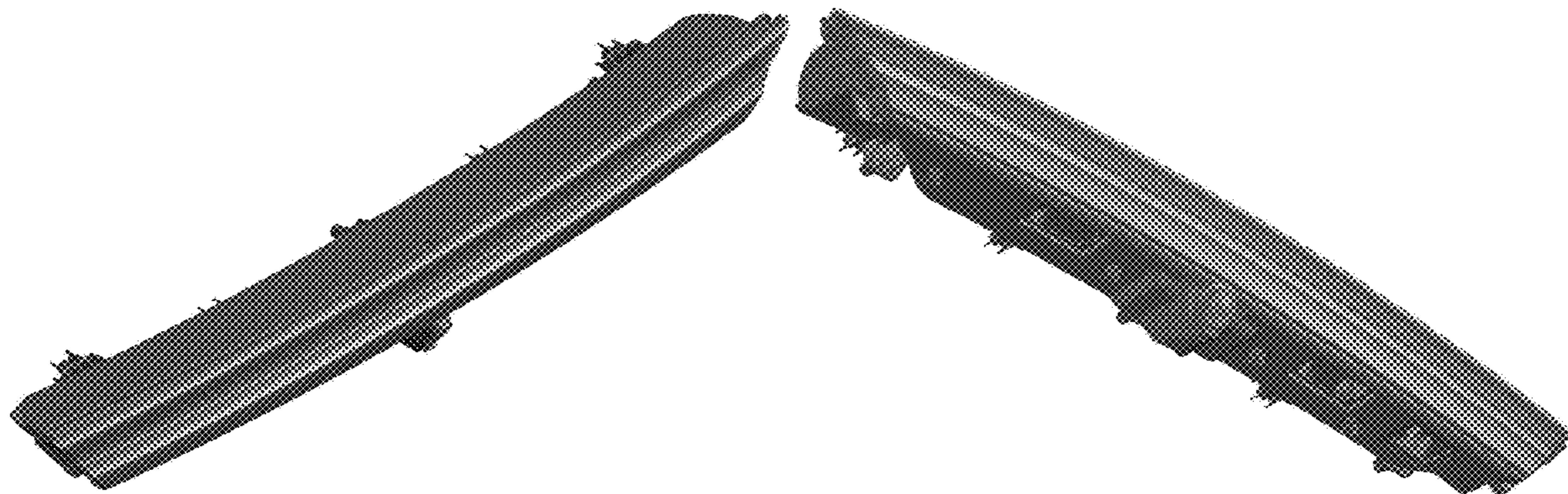
FIG. 4 is a top plan view thereof;

FIG. 5 is a bottom plan view thereof;

FIG. 6 is a top, front, and left side perspective view thereof; and,

FIG. 7 is a bottom, front, and left side perspective view thereof.

1 Claim, 7 Drawing Sheets



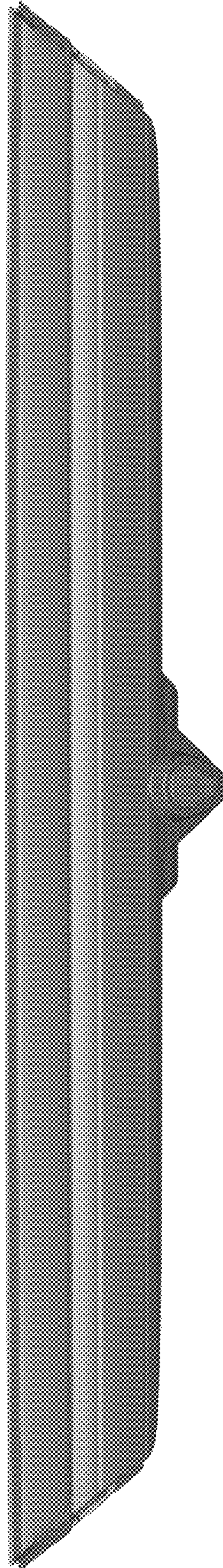


Fig. 1

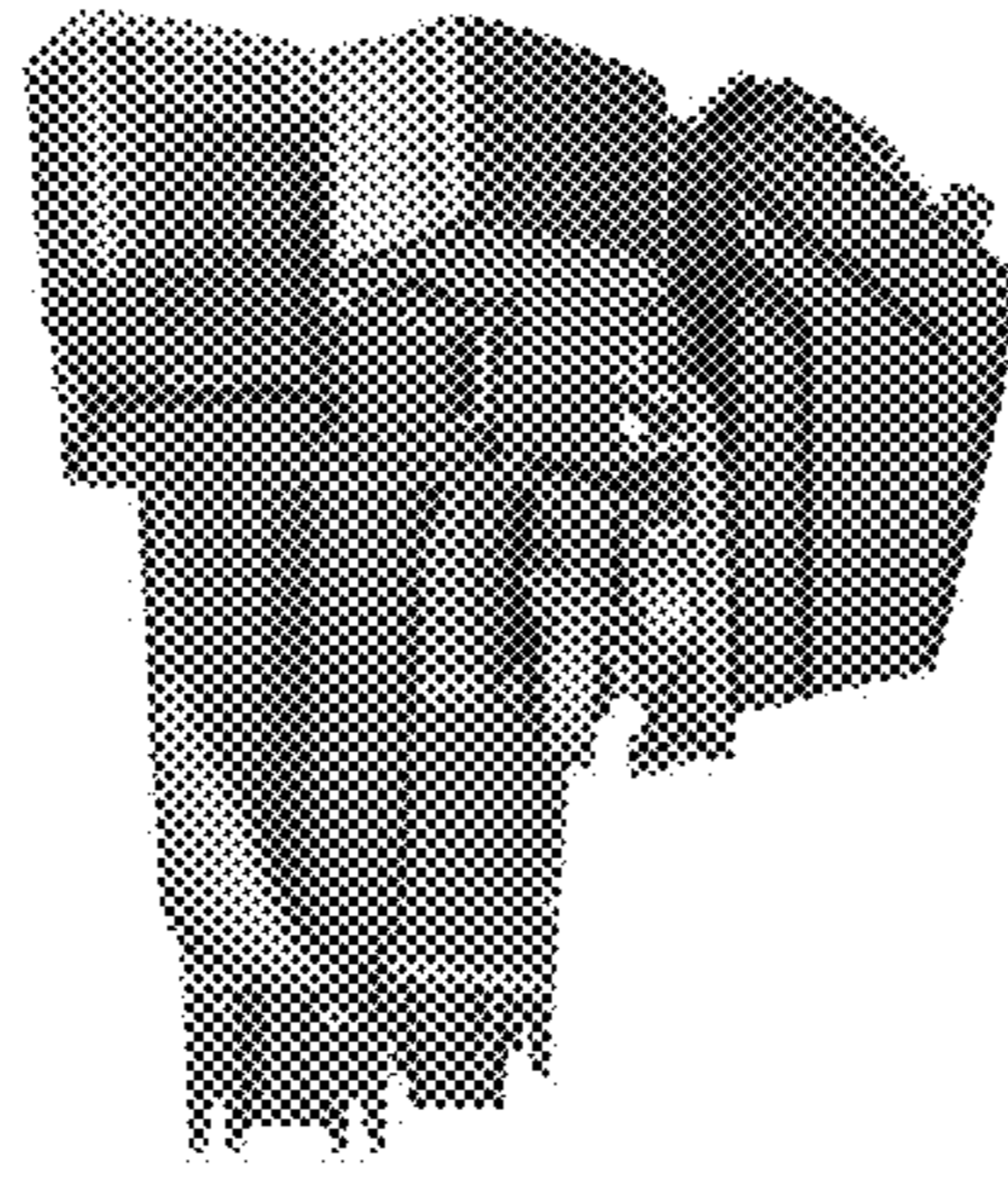


Fig. 2

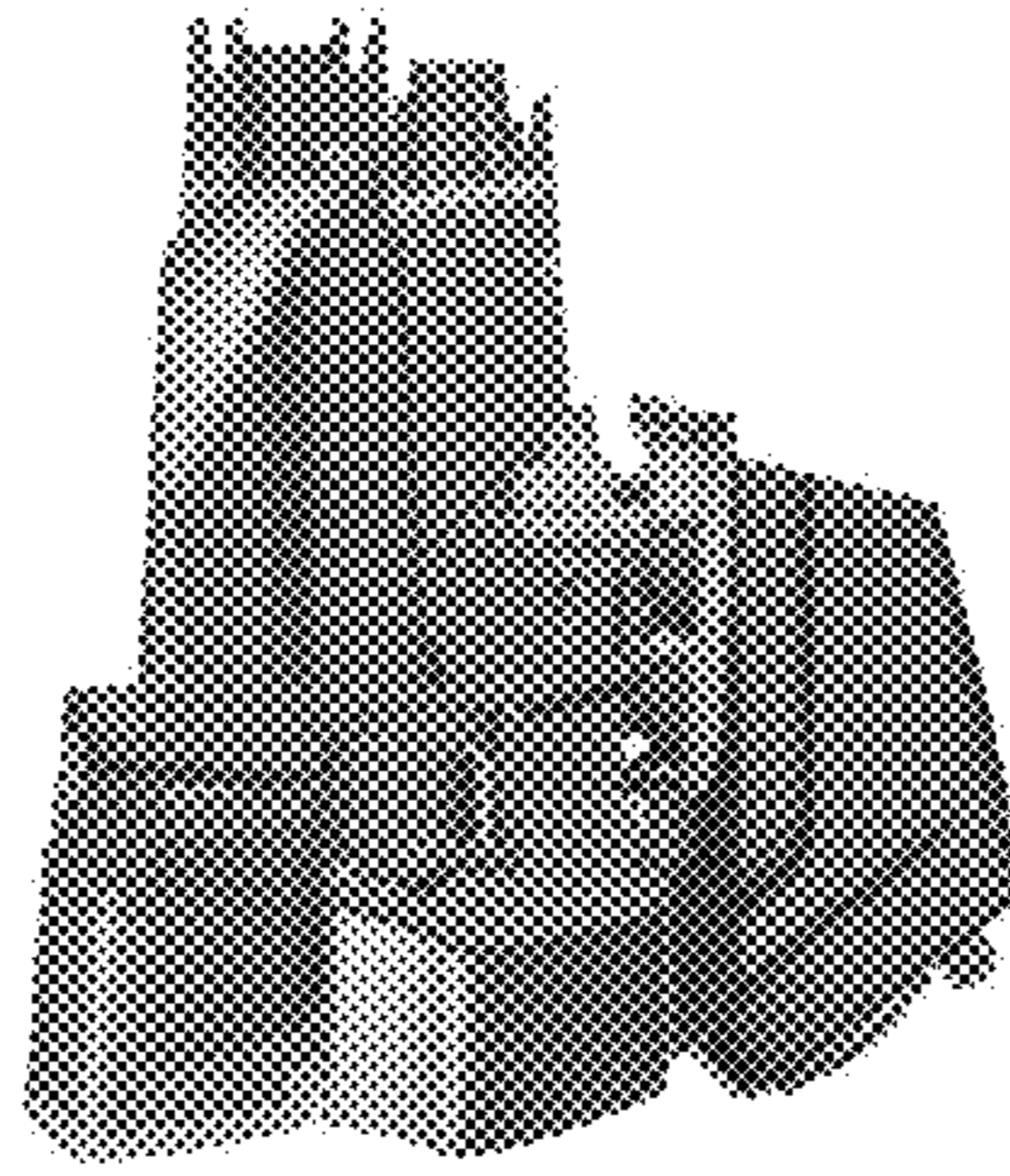


Fig. 3

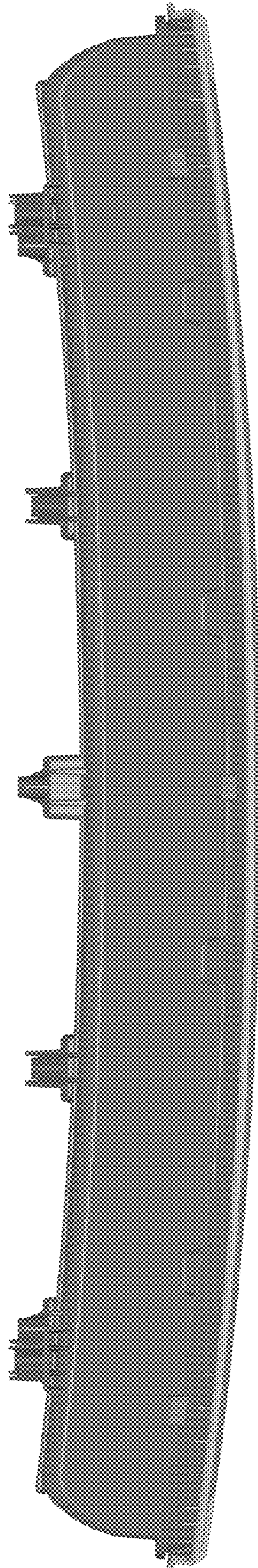
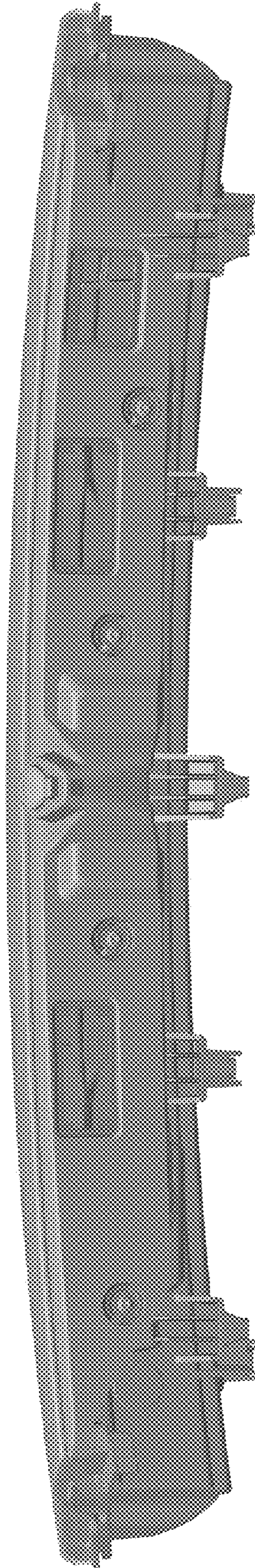


Fig. 4

Fig. 5



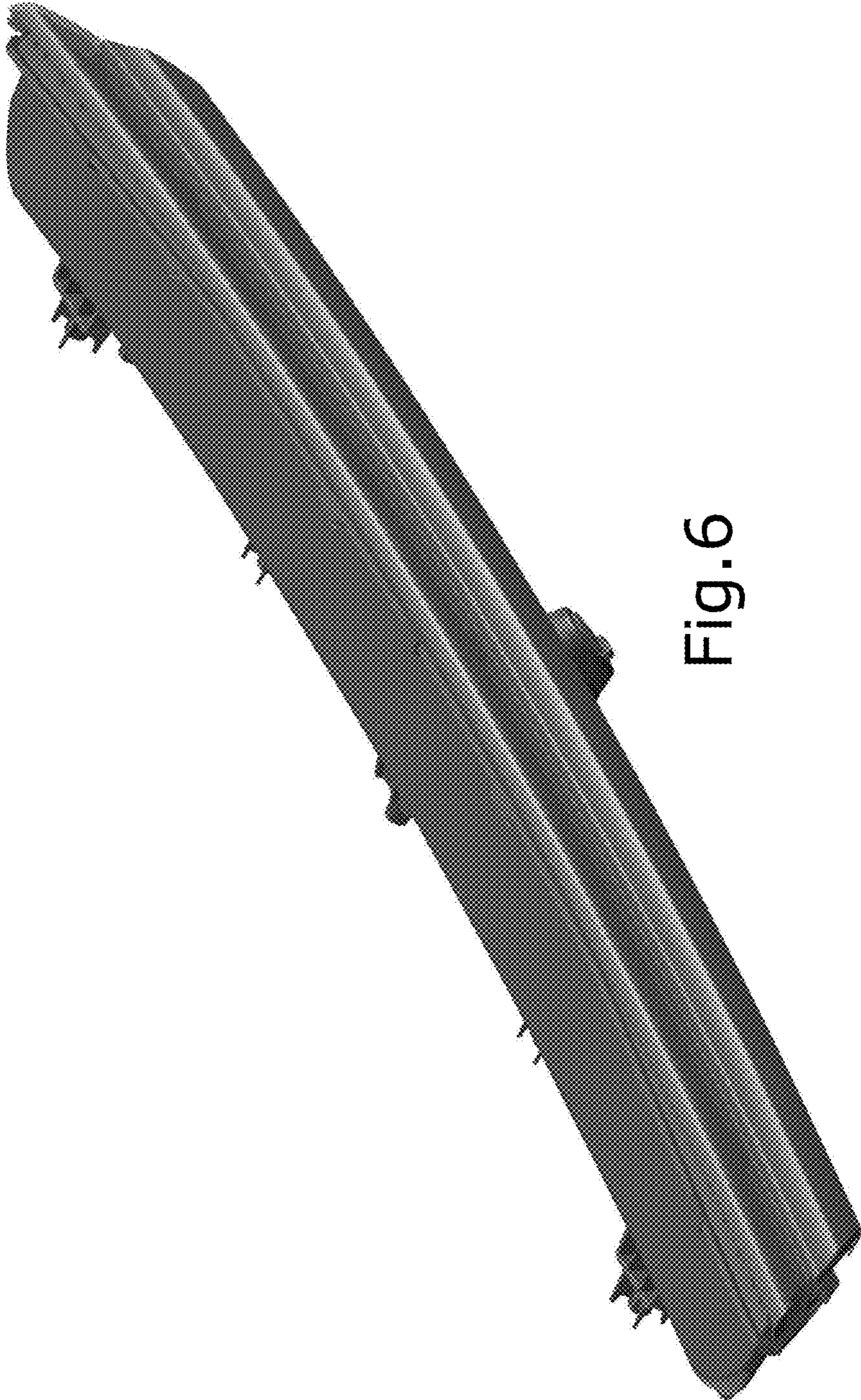


Fig. 6



Fig. 7