



US00D894452S

(12) **United States Design Patent** (10) **Patent No.:** **US D894,452 S**  
**Jeong et al.** (45) **Date of Patent:** **\*\* Aug. 25, 2020**

(54) **HEAD LAMP FOR AN AUTOMOBILE**

F21V 21/04; B60Q 1/30; B60Q 1/2607;  
B60Q 1/2696; B62J 6/00; B62J 6/04

(71) Applicants: **Kia Motors Corporation**, Seoul (KR);  
**Hyundai Motor Company**, Seoul (KR)

See application file for complete search history.

(72) Inventors: **Da Young Jeong**, Seongnam-si (KR);  
**Yu Ra Cha**, Seoul (KR); **Yun Seok Oh**, Ansan-si (KR); **Oh Young Kwon**,  
Suwon-si (KR); **Hyeong Seon Kim**,  
Gunpo-si (KR); **Jae Min Choi**,  
Cheongju-si (KR)

(56) **References Cited**

U.S. PATENT DOCUMENTS

D452,922	S	*	1/2002	Kim	.....	D26/28
D592,774	S	*	5/2009	Han	.....	D26/28
D594,581	S	*	6/2009	Han	.....	D26/28
D595,002	S	*	6/2009	Han	.....	D26/28
D606,680	S	*	12/2009	Han	.....	D26/28
D762,314	S	*	7/2016	Luk	.....	D26/28
D833,657	S	*	11/2018	Kwon	.....	D26/28
D834,225	S	*	11/2018	Kwon	.....	D26/28
D848,039	S	*	5/2019	Conway	.....	D26/28
D868,323	S	*	11/2019	Kim	.....	D26/28
D868,324	S	*	11/2019	Kim	.....	D26/28
D875,976	S	*	2/2020	Lin	.....	D26/28

(73) Assignees: **Hyundai Motor Company**, Seoul  
(KR); **Kia Motors Corporation**, Seoul  
(KR)

(\*\*) Term: **15 Years**

\* cited by examiner

(21) Appl. No.: **35/507,128**

*Primary Examiner* — Natasha Vujcic

(22) Filed: **Jan. 22, 2019**

(74) *Attorney, Agent, or Firm* — Mintz Levin Cohn Ferris  
Glovsky and Popeo, P.C.; Peter F. Corless; Carolina E.  
Säve

(80) **Hague Agreement Data**

Int. Filing Date: **Jan. 22, 2019**  
Int. Reg. No.: **DM/201059**  
Int. Reg. Date: **Jan. 22, 2019**  
Int. Reg. Pub. Date: **Aug. 2, 2019**

(57) **CLAIM**

The ornamental design for head lamp for an automobile, as  
shown and described.

(30) **Foreign Application Priority Data**

Aug. 31, 2018 (KR) ..... 30-2018-0040781

(51) **LOC (12) Cl.** ..... **26-06**

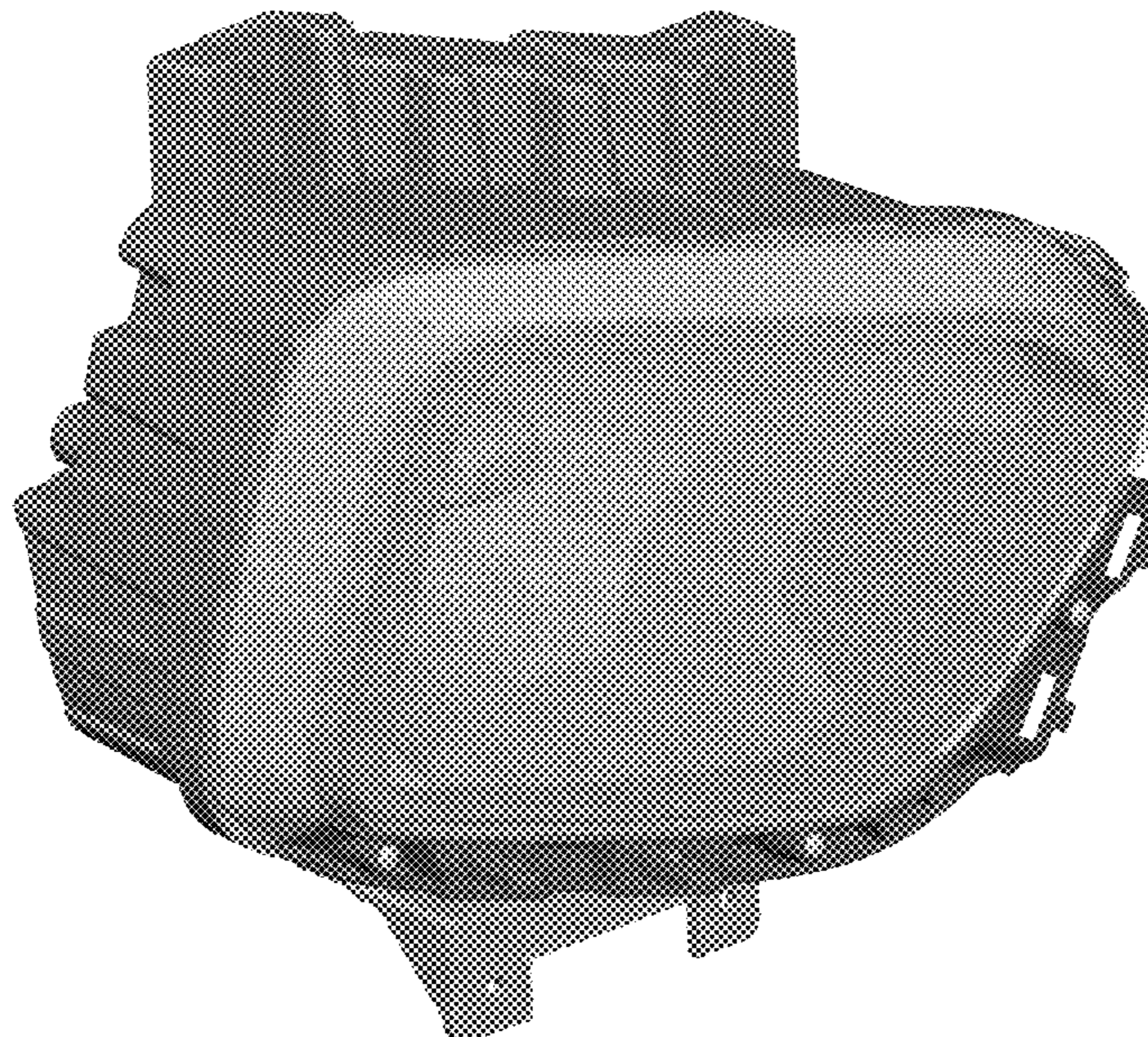
(52) **U.S. Cl.**  
USPC ..... **D26/28**

(58) **Field of Classification Search**  
USPC ..... D26/28  
CPC ..... F21S 48/00; F21S 48/10; F21S 48/115;  
F21S 48/225; F21S 48/1233; F21S  
48/1266; F21S 48/1388; F21S 48/2266;

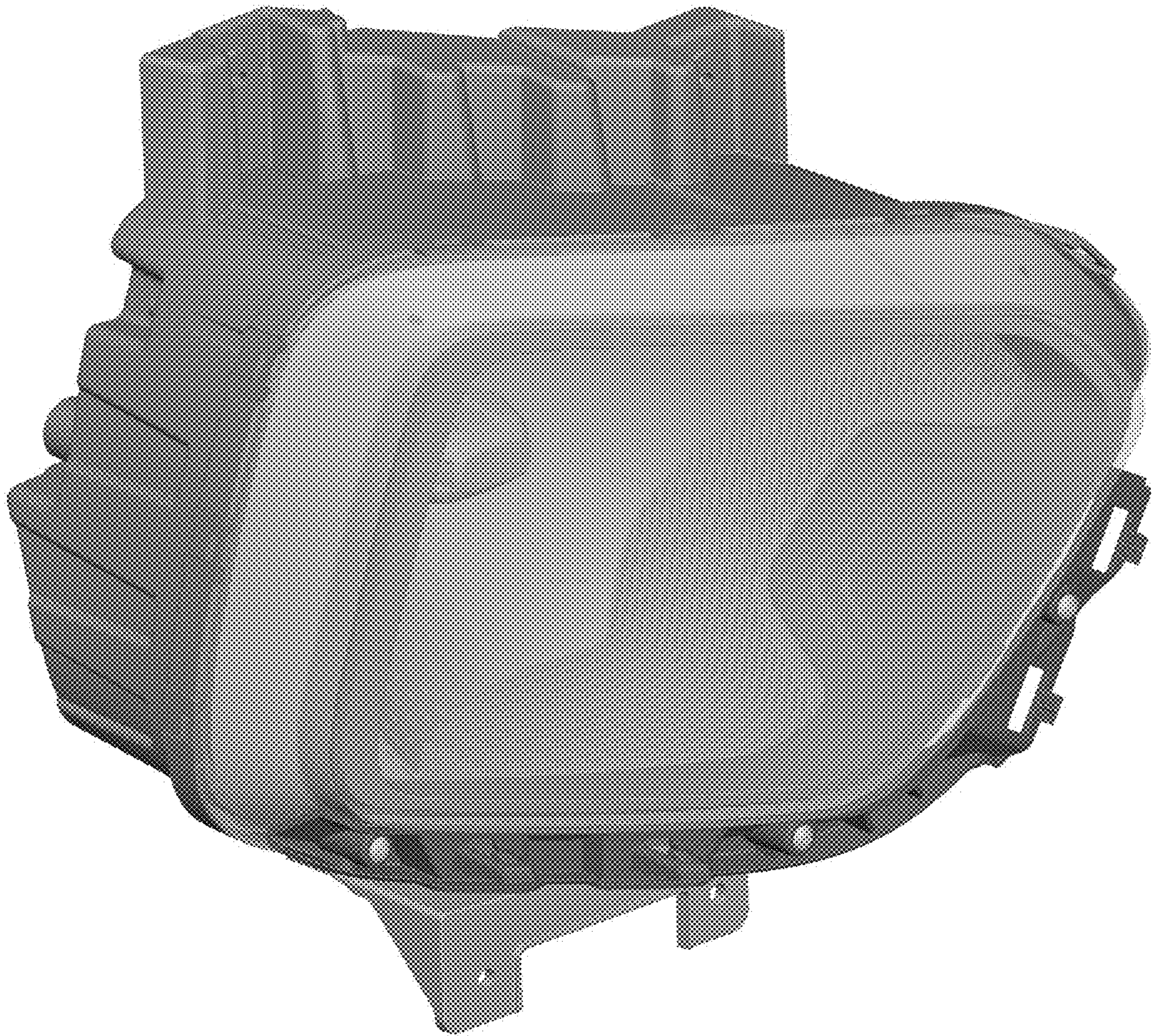
**DESCRIPTION**

- 1. Head lamp for an automobile
- 1.1 : Perspective
- 1.2 : Front
- 1.3 : Back
- 1.4 : Left
- 1.5 : Right
- 1.6 : Top
- 1.7 : Bottom

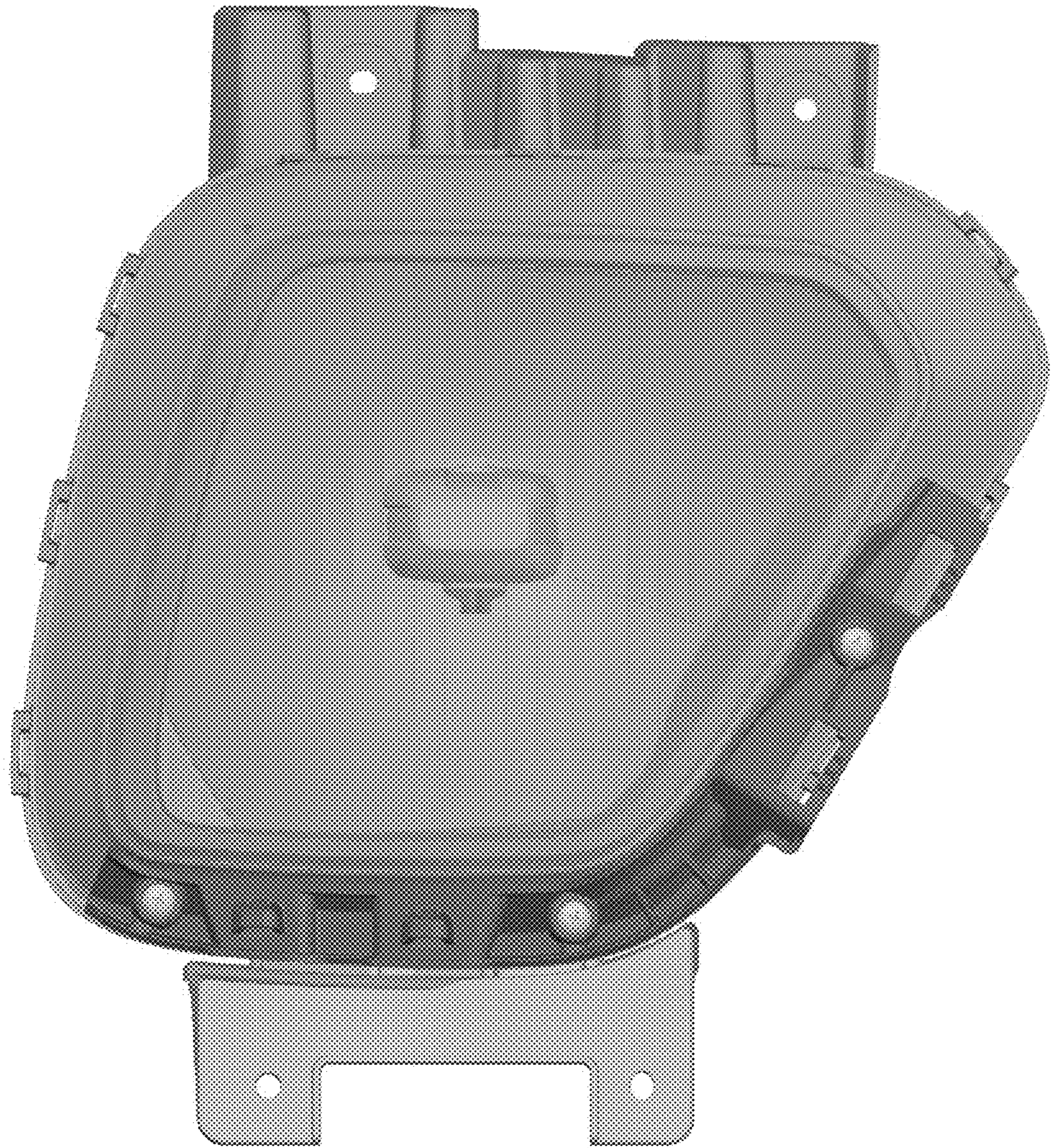
**1 Claim, 7 Drawing Sheets**



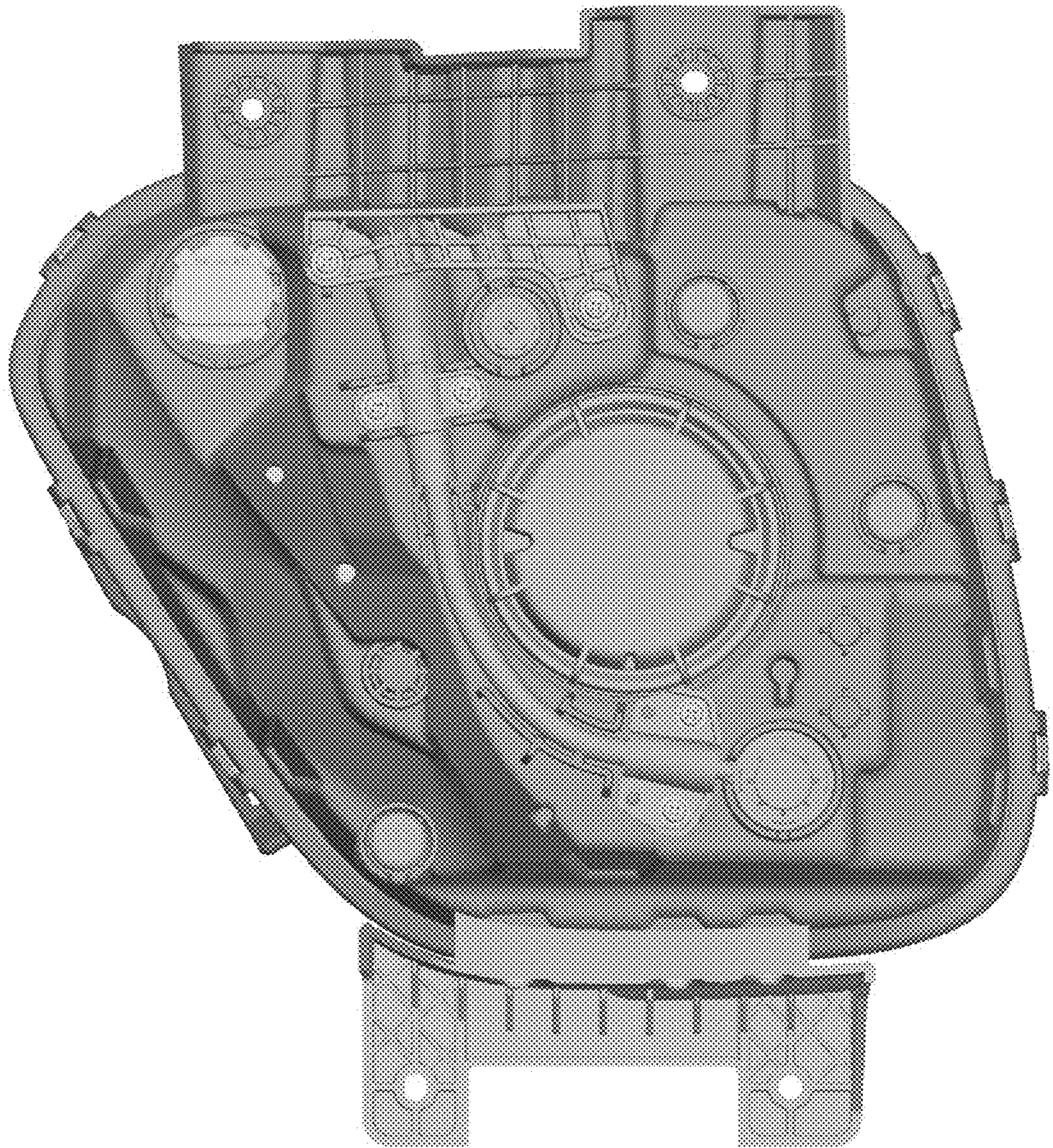
1.1



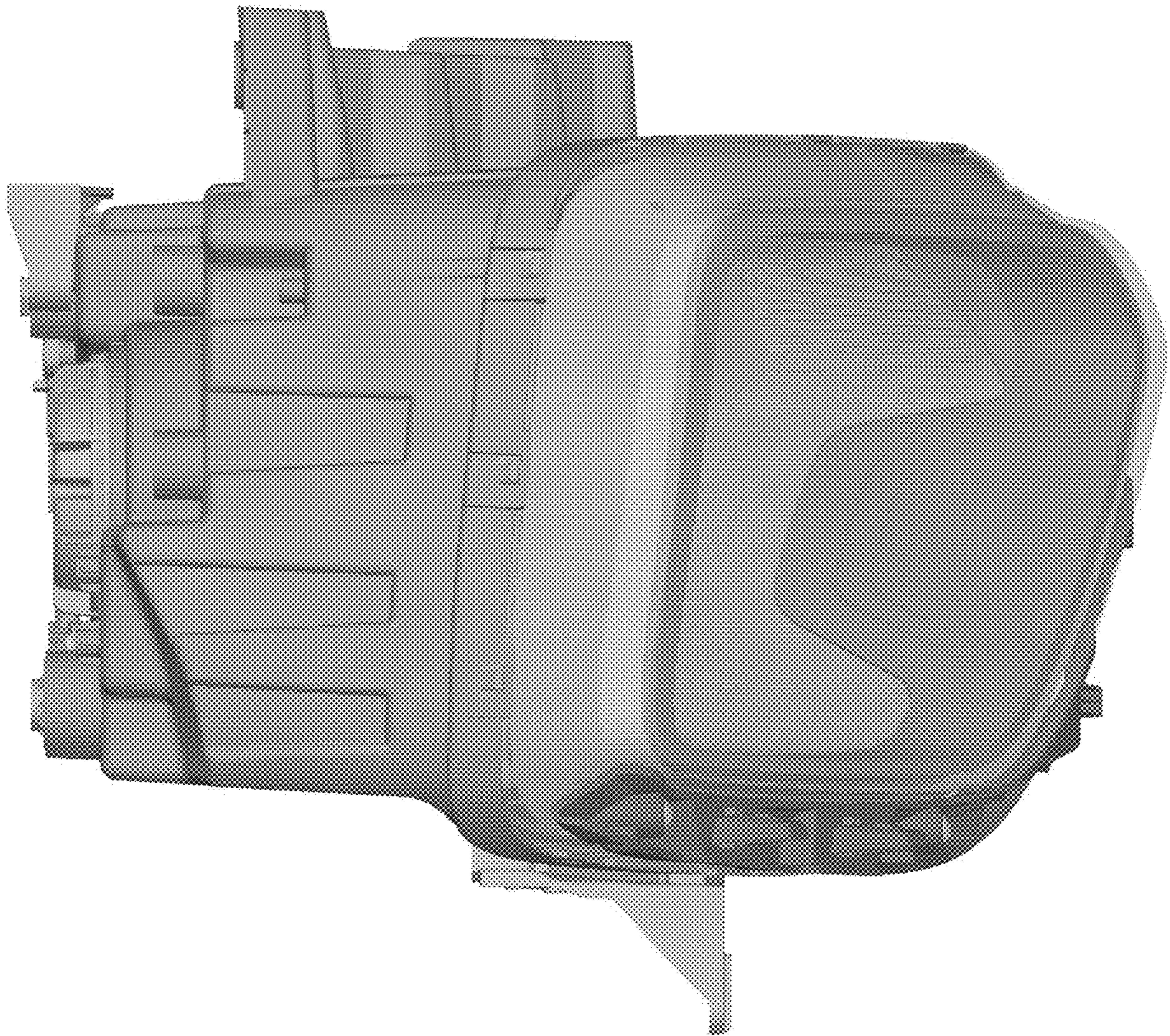
1.2



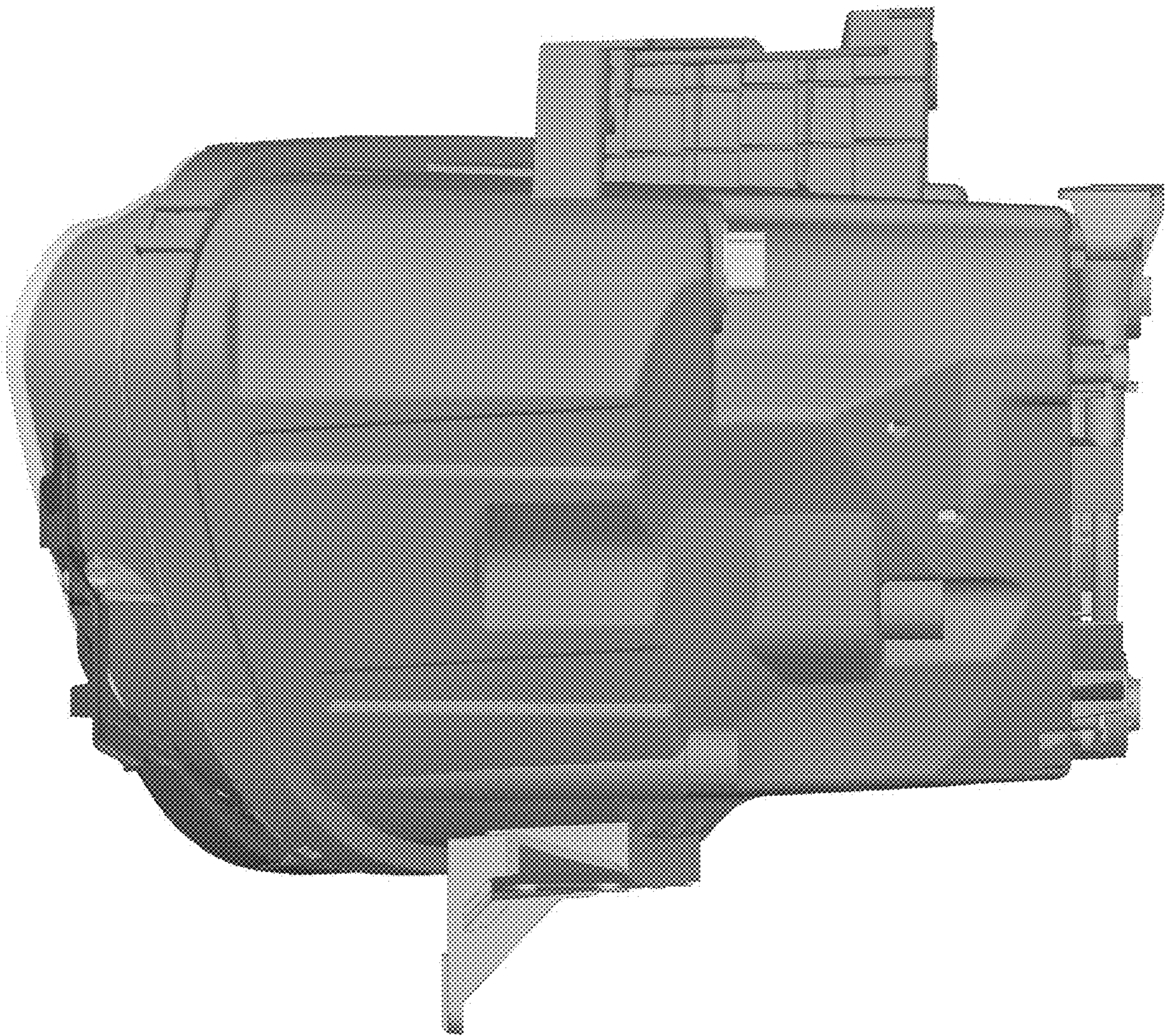
1.3



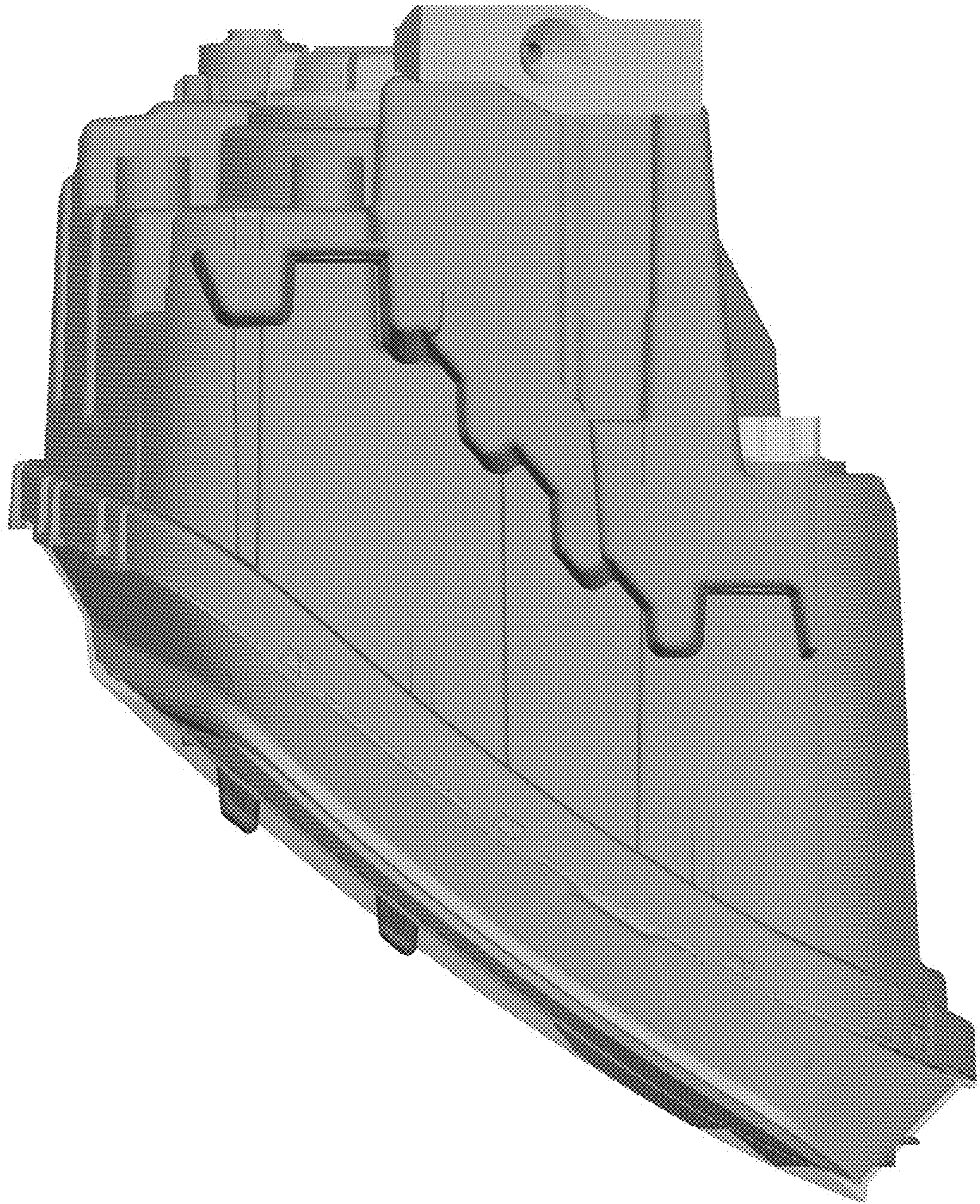
1.4



1.5



1.6



1.7

