



US00D894451S

(12) **United States Design Patent**
Hong et al.

(10) **Patent No.:** **US D894,451 S**

(45) **Date of Patent:** **** Aug. 25, 2020**

(54) **REAR COMBINATION LAMP FOR AN
AUTOMOBILE**

(71) Applicants: **Hyundai Motor Company**, Seoul
(KR); **Kia Motors Corporation**, Seoul
(KR)

(72) Inventors: **Wan Hee Hong**, Gunpo-si (KR); **Jin
Yujun Kim**, Seoul (KR)

(73) Assignee: **Hyundai Motor Company**, Seoul (KR)

(**) Term: **15 Years**

(21) Appl. No.: **35/507,096**

(22) Filed: **Jan. 15, 2019**

(80) **Hague Agreement Data**

Int. Filing Date: **Jan. 15, 2019**
Int. Reg. No.: **DM/201016**
Int. Reg. Date: **Jan. 15, 2019**
Int. Reg. Pub. Date: **Jul. 19, 2019**

(51) **LOC (12) Cl.** **26-06**

(52) **U.S. Cl.**
USPC **D26/28**

(58) **Field of Classification Search**
USPC D26/28
CPC F21S 48/00; F21S 48/10; F21S 48/115;
F21S 48/225; F21S 48/1233; F21S
48/1266; F21S 48/1388; F21S 48/2266;
F21V 21/04; B60Q 1/30; B60Q 1/2607;
B60Q 1/2696; B62J 6/00; B62J 6/04
See application file for complete search history.

(56) **References Cited**

U.S. PATENT DOCUMENTS

D692,599 S * 10/2013 Kim D26/28
D700,982 S * 3/2014 Kim D26/28

D714,985 S * 10/2014 Moon D26/28
D755,420 S * 5/2016 Ko D26/28
D763,487 S * 8/2016 Kwon D26/28
D774,221 S * 12/2016 Lim D26/28
D776,313 S * 1/2017 Han D26/28
D785,835 S * 5/2017 Lee D26/28
D787,724 S * 5/2017 Hong D26/28
D842,508 S * 3/2019 Kim D26/28
D869,021 S * 12/2019 Allmendinger D26/28
D869,717 S * 12/2019 Shim D26/36
D871,632 S * 12/2019 Kim D26/28
D873,457 S * 1/2020 Han D26/28
D874,042 S * 1/2020 Lee D26/28

* cited by examiner

Primary Examiner — Natasha Vujcic

(74) *Attorney, Agent, or Firm* — Mintz Levin Cohn Ferris
Glovsky and Popeo, P.C.; Peter F. Corless; Carolina E.
Säve

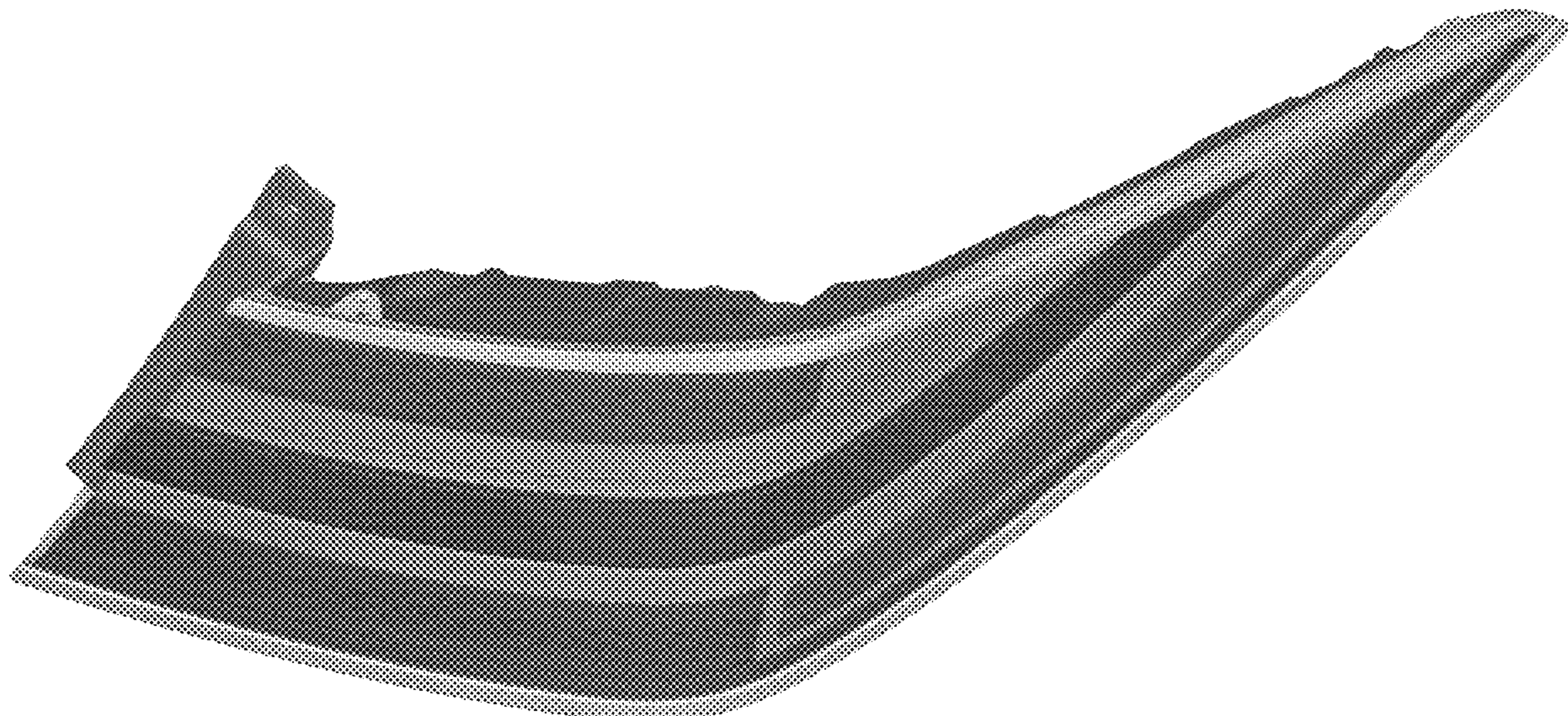
(57) **CLAIM**

The ornamental design for a rear combination lamp for an
automobile, as shown and described.

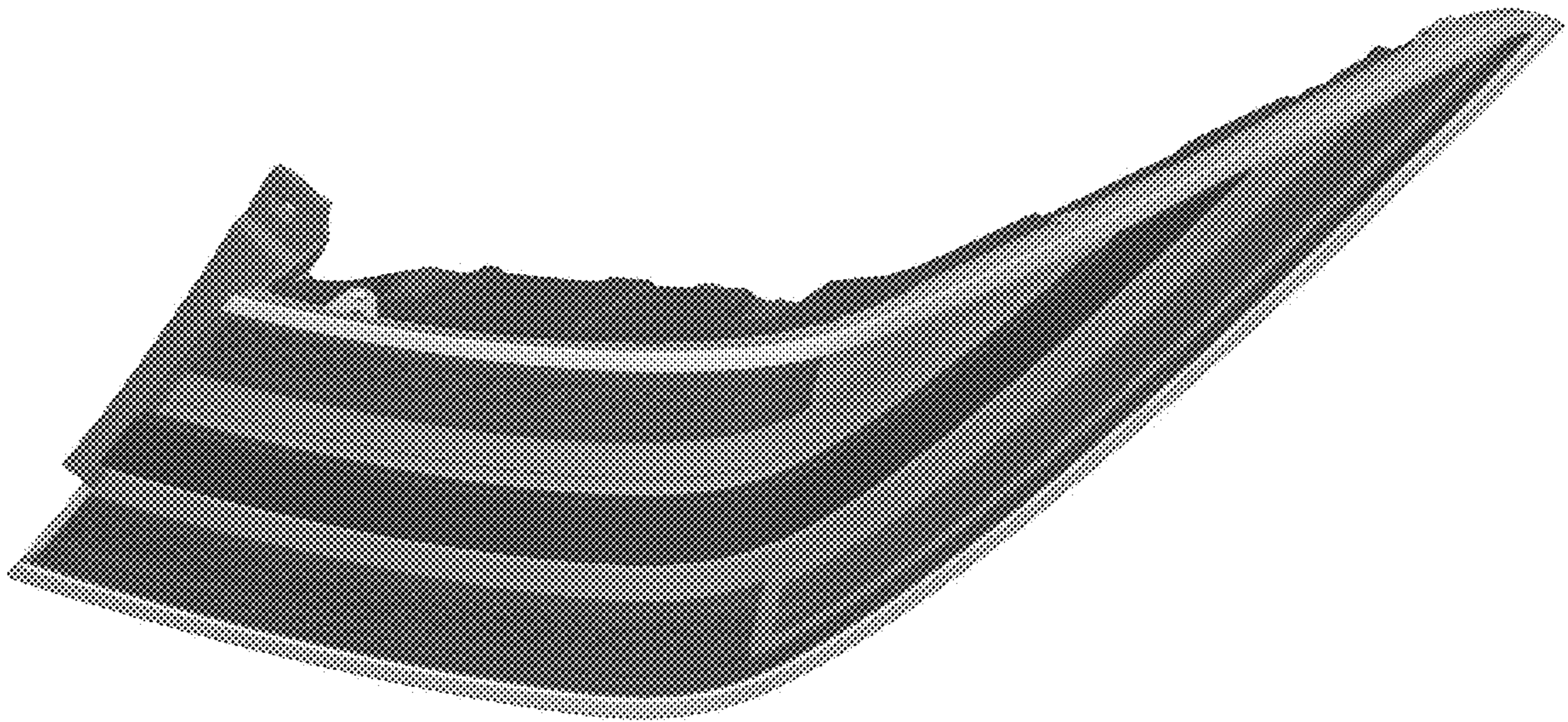
DESCRIPTION

- 1. Rear combination lamp for an automobile
- 1.1 : Perspective
- 1.2 : Front
- 1.3 : Back
- 1.4 : Left
- 1.5 : Right
- 1.6 : Top
- 1.7 : Bottom

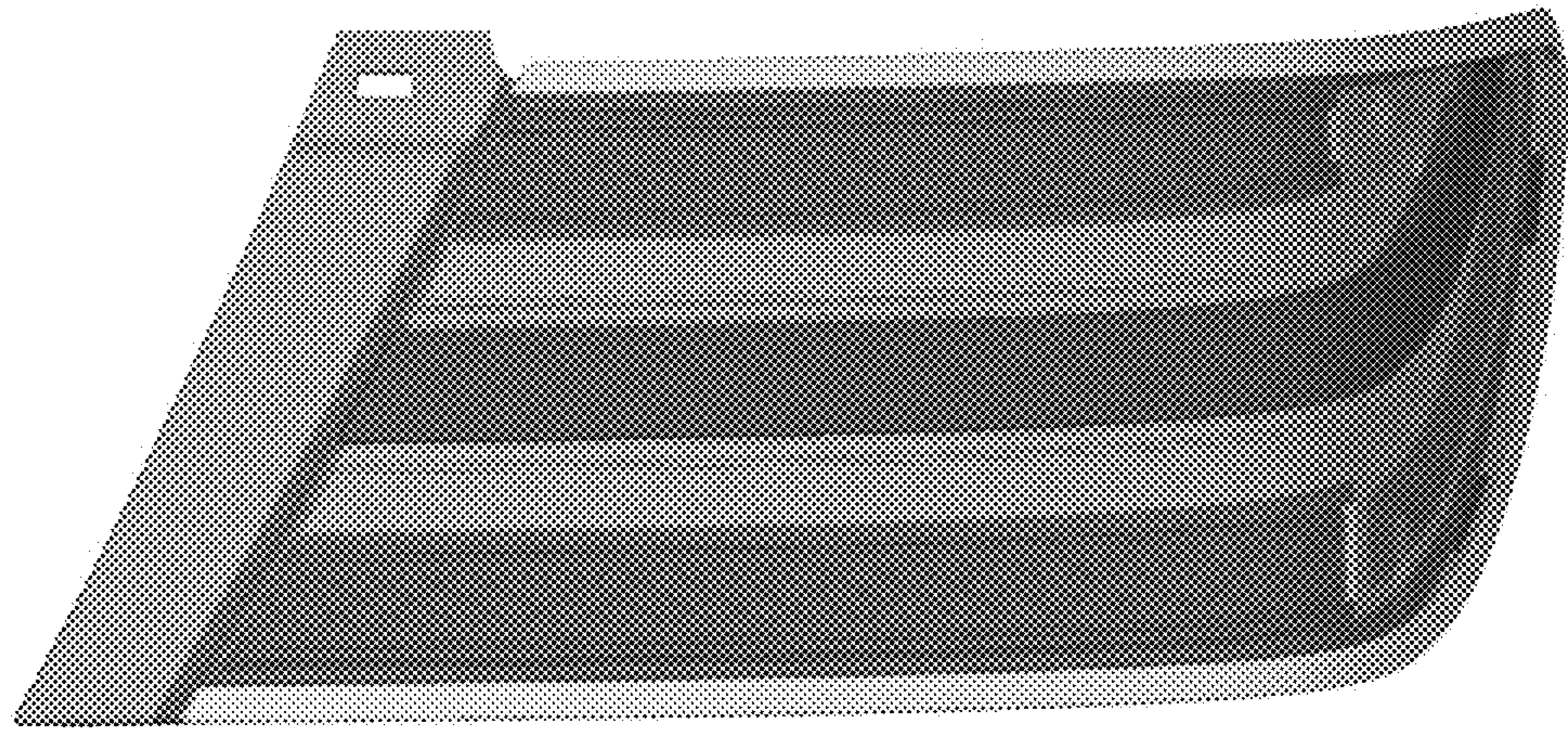
1 Claim, 7 Drawing Sheets



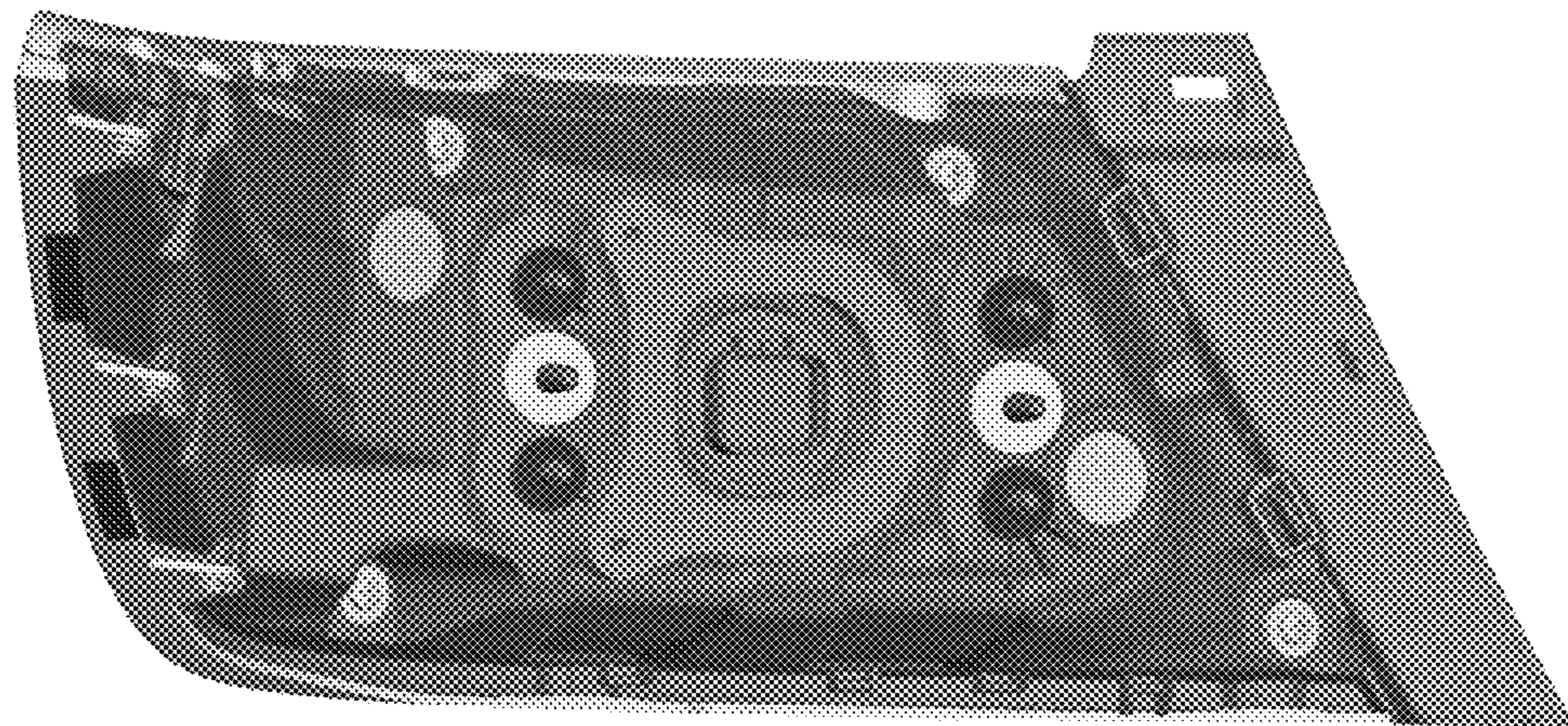
1.1



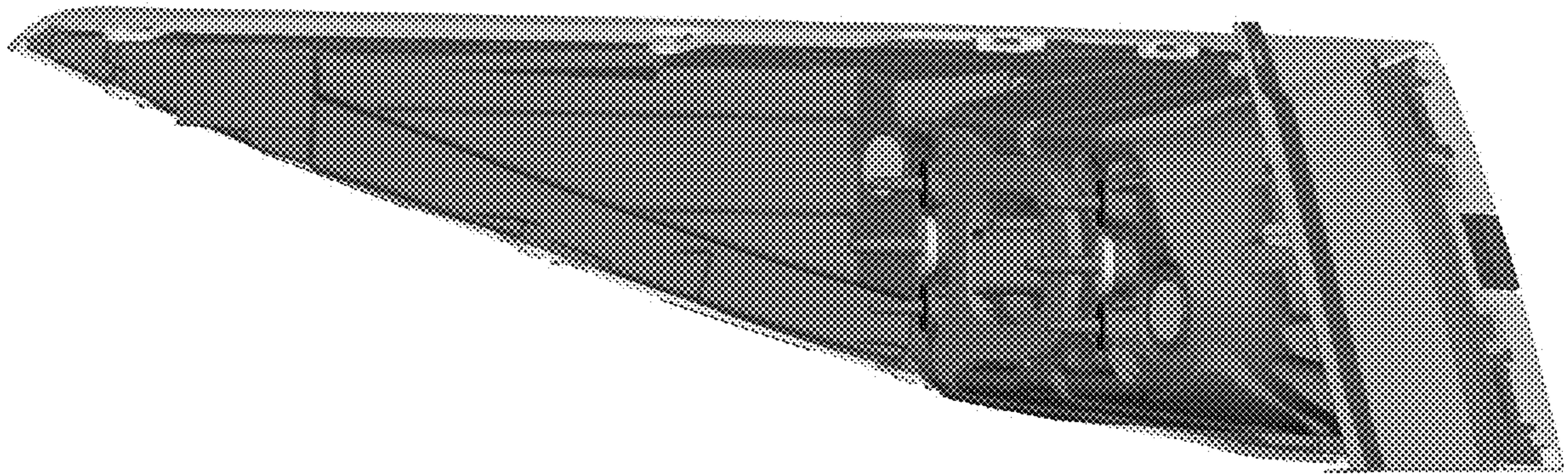
1.2



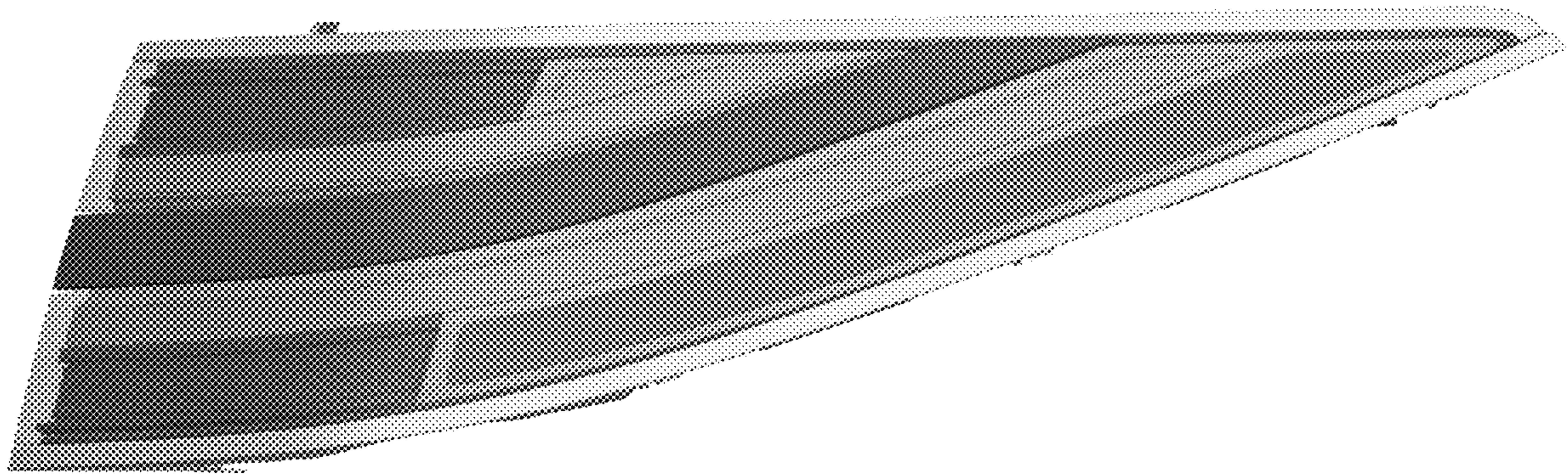
1.3



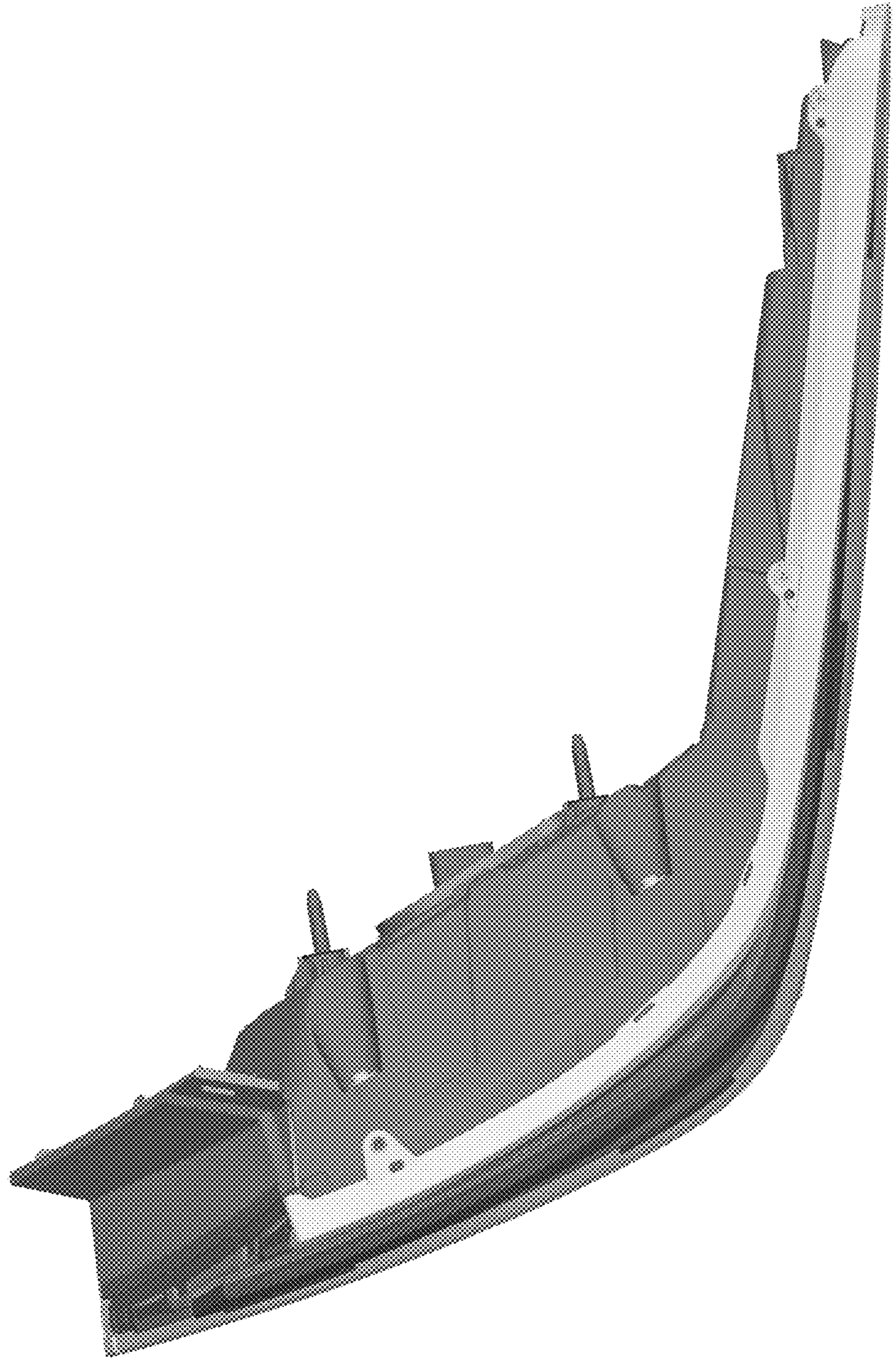
1.4



1.5



1.6



1.7

