

US00D894450S

(12) **United States Design Patent** (10) **Patent No.:** **US D894,450 S**  
**Seemann et al.** (45) **Date of Patent:** **\*\* Aug. 25, 2020**

(54) **HEADLIGHT FOR A VEHICLE**  
(71) Applicant: **Daimler AG**, Stuttgart (DE)  
(72) Inventors: **Frederic Seemann**, Sindelfingen (DE);  
**Felix Loisch**, Munich (DE)  
(73) Assignee: **Daimler AG**, Stuttgart (DE)  
(\*\*) Term: **15 Years**  
(21) Appl. No.: **35/506,698**  
(22) Filed: **Oct. 8, 2018**  
(80) **Hague Agreement Data**  
Int. Filing Date: **Oct. 8, 2018**  
Int. Reg. No.: **DM/200677**  
Int. Reg. Date: **Oct. 8, 2018**  
Int. Reg. Pub. Date: **May 3, 2019**

D756,005 S 5/2016 Handt et al.  
D756,551 S 5/2016 Handt et al.  
D757,313 S \* 5/2016 Binder ..... D26/28  
D757,314 S \* 5/2016 Binder ..... D26/28  
D757,315 S \* 5/2016 Binder ..... D26/28  
D757,970 S \* 5/2016 Binder ..... D26/28  
D758,625 S \* 6/2016 Binder ..... D26/28  
D759,864 S \* 6/2016 Shim ..... D26/28  
D761,459 S \* 7/2016 Binder ..... D26/28  
D771,289 S \* 11/2016 Binder ..... D26/28  
D771,290 S \* 11/2016 Binder ..... D26/28  
D774,219 S \* 12/2016 Lim ..... D26/28  
D776,309 S \* 1/2017 Ha ..... D26/28  
D777,957 S \* 1/2017 Ha ..... D26/28  
D804,693 S \* 12/2017 Handt ..... D26/28  
D827,882 S \* 9/2018 Baaske ..... D26/28  
D828,588 S \* 9/2018 Baaske ..... D26/28  
D828,934 S \* 9/2018 Baaske ..... D26/28  
D829,948 S \* 10/2018 Jung ..... D26/28  
D832,473 S \* 10/2018 Handt ..... D26/28  
D861,205 S \* 9/2019 Badstuebner ..... D26/28  
D861,206 S \* 9/2019 Badstuebner ..... D26/28  
D861,207 S \* 9/2019 Badstuebner ..... D26/28  
D861,934 S \* 10/2019 Badstuebner ..... D26/28  
D861,935 S \* 10/2019 Badstuebner ..... D26/28

(30) **Foreign Application Priority Data**  
Apr. 10, 2018 (WO) ..... 71282  
(51) **LOC (12) Cl.** ..... **26-06**  
(52) **U.S. Cl.**  
USPC ..... **D26/28**  
(58) **Field of Classification Search**  
USPC ..... D26/28  
CPC ..... F21S 48/00; F21S 48/10; F21S 48/115;  
F21S 48/225; F21S 48/1233; F21S  
48/1266; F21S 48/1388; F21S 48/2266;  
F21V 21/04; B60Q 1/30; B60Q 1/2607;  
B60Q 1/2696; B62J 6/00; B62J 6/04  
See application file for complete search history.

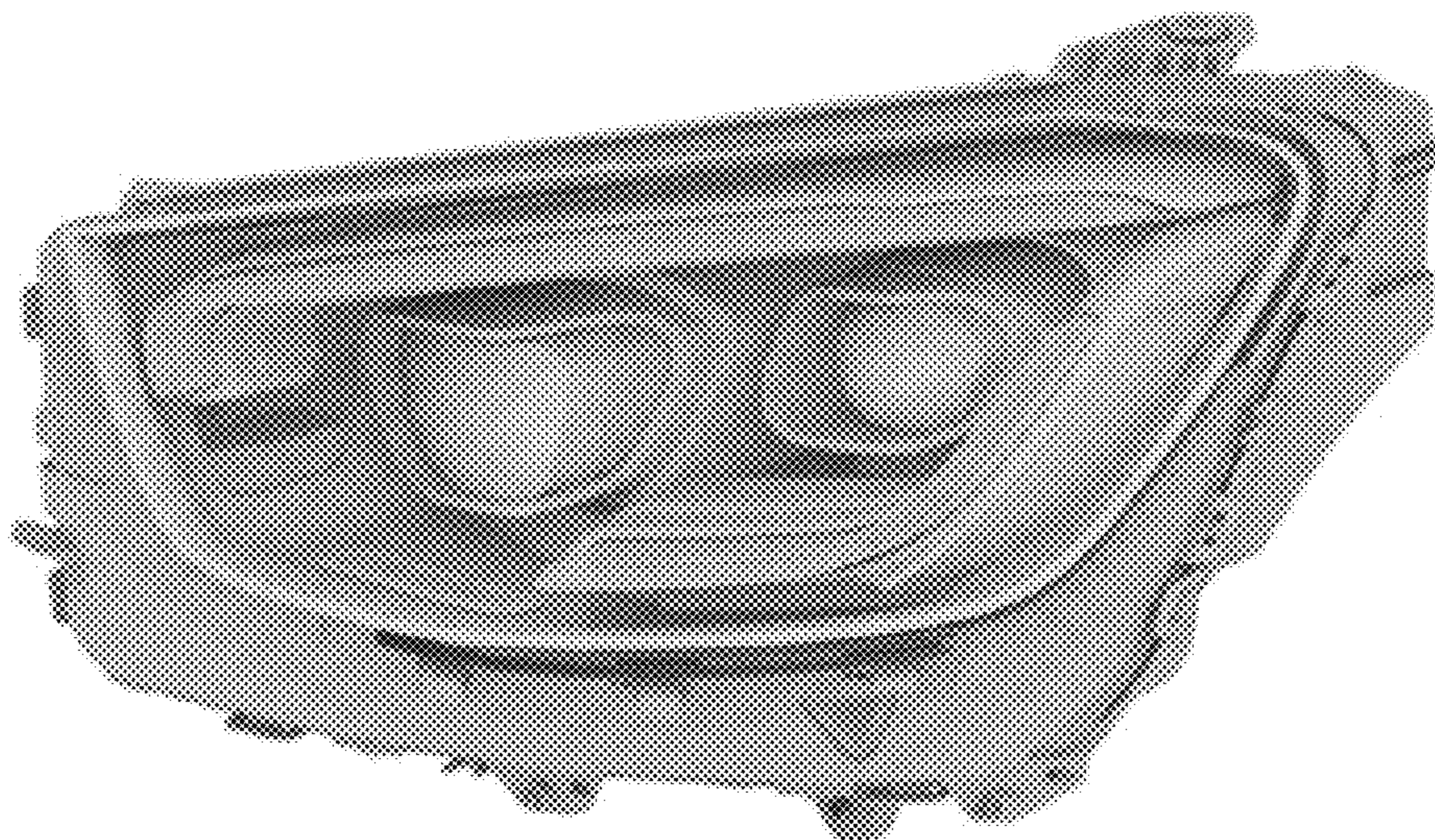
(56) **References Cited**  
U.S. PATENT DOCUMENTS  
D749,761 S \* 2/2016 Sa ..... D26/28  
D749,762 S \* 2/2016 Sa ..... D26/28  
D755,426 S 5/2016 Handt et al.

\* cited by examiner  
*Primary Examiner* — Natasha Vujcic  
(74) *Attorney, Agent, or Firm* — Crowell & Moring LLP

(57) **CLAIM**  
The ornamental design for a headlight for a vehicle, as shown and described.

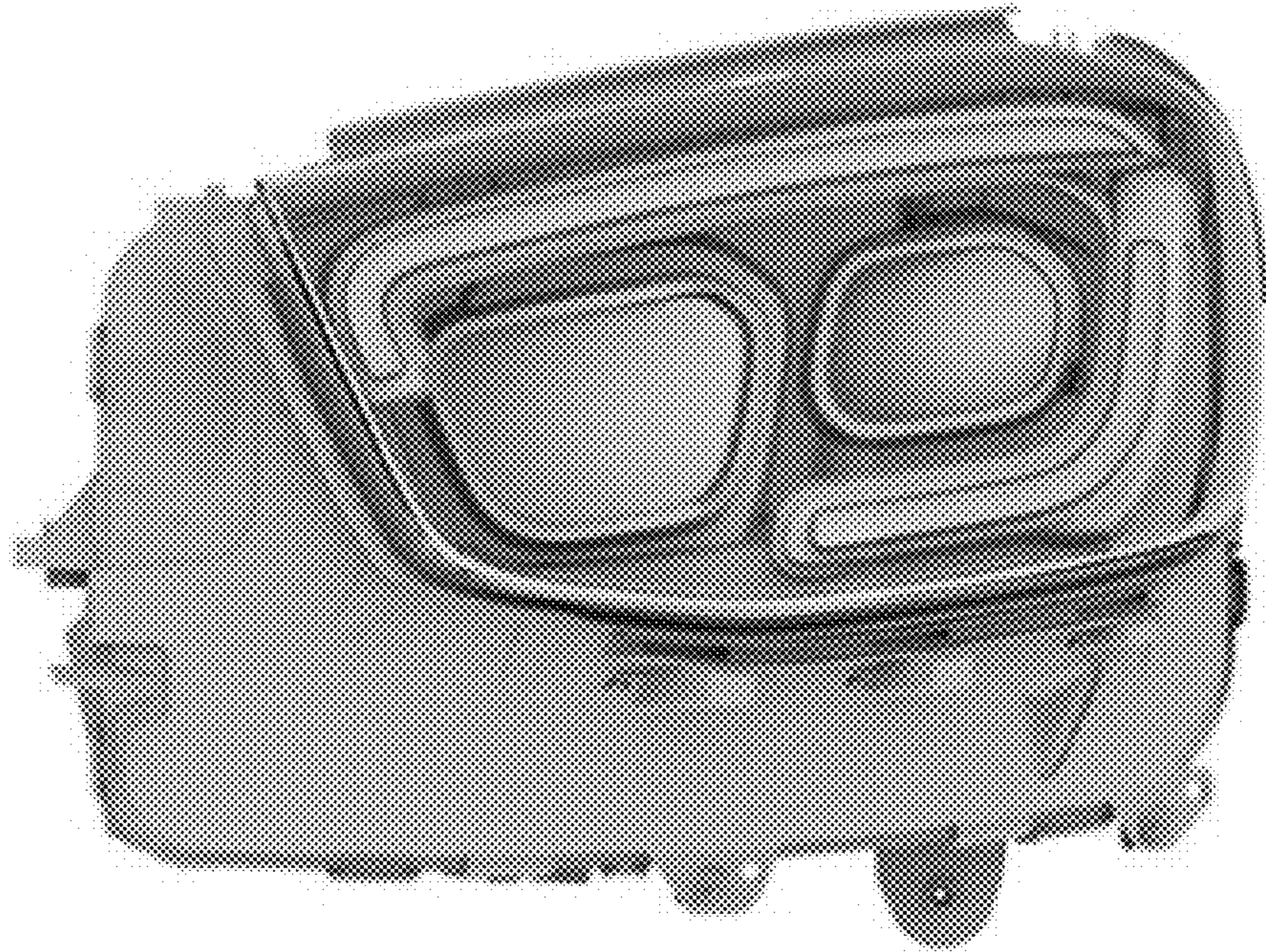
**DESCRIPTION**  
1.1 is a front view of a headlight for a vehicle according to the design;  
1.2 is a right, front perspective view thereof;  
1.3 is a right side view thereof;  
1.4 is a left side view thereof;  
1.5 is a rear view thereof;  
1.6 is a top view thereof; and  
1.7 is a bottom view thereof.

**1 Claim, 7 Drawing Sheets**



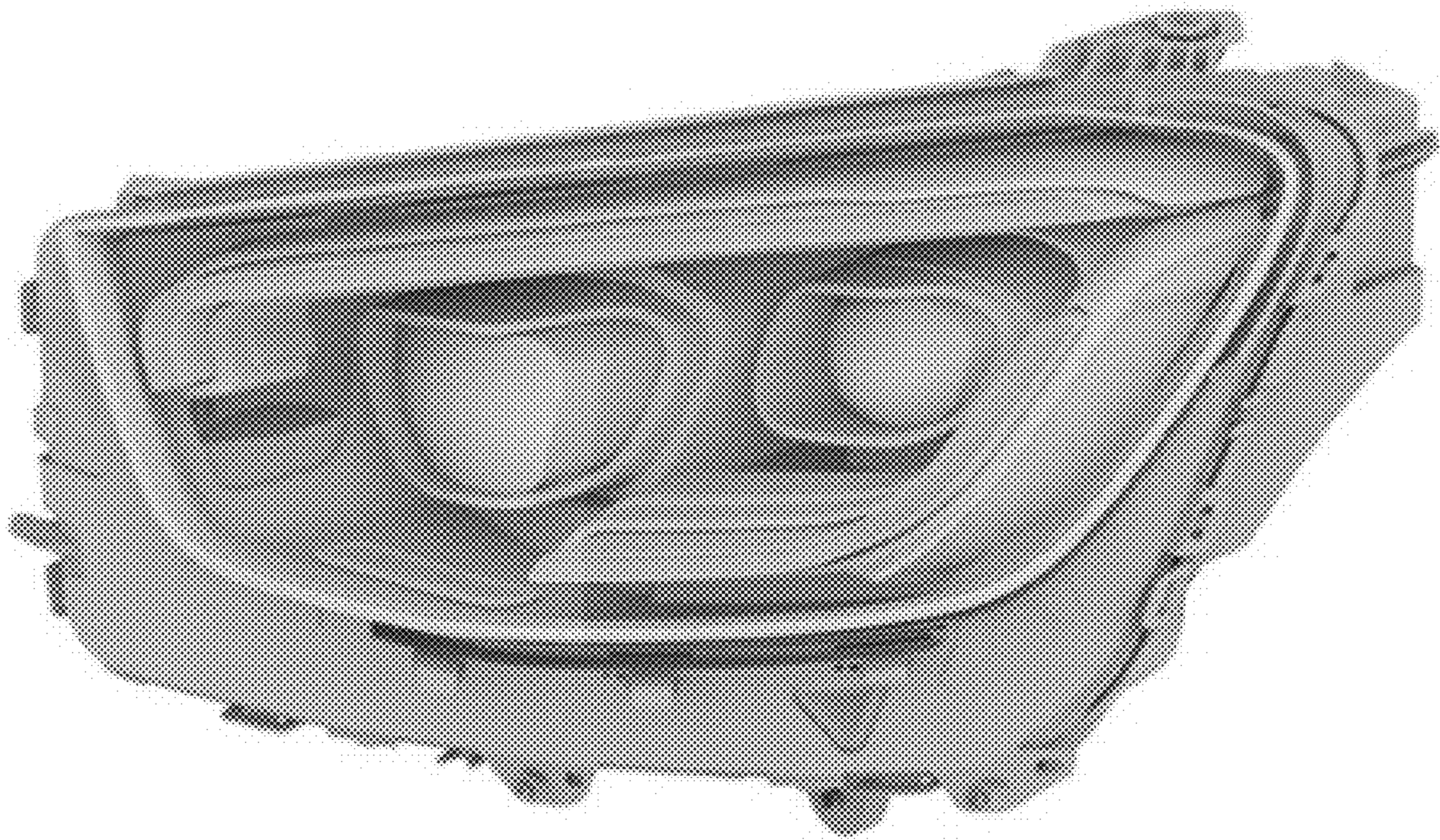


**1.1**



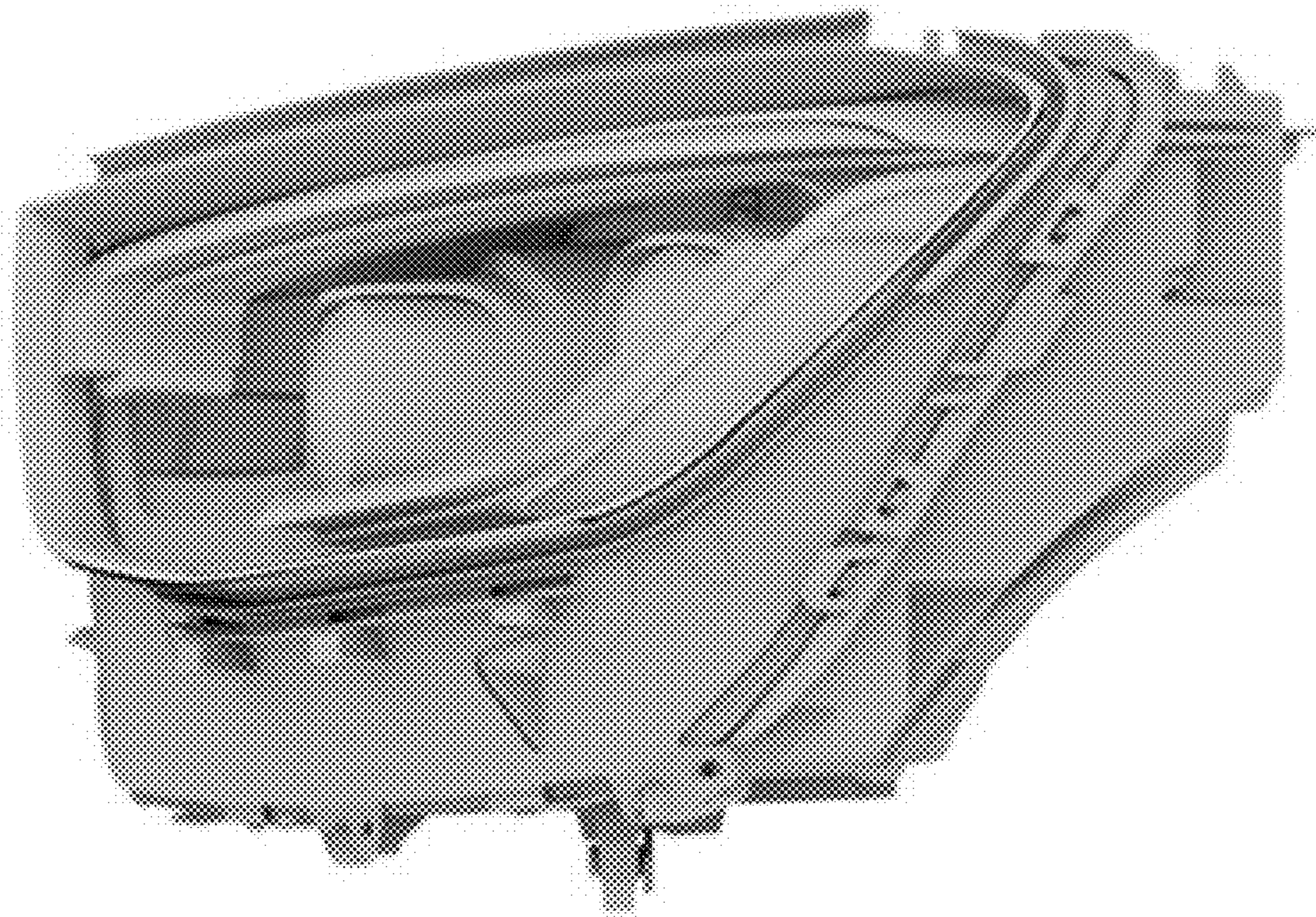


**1.2**



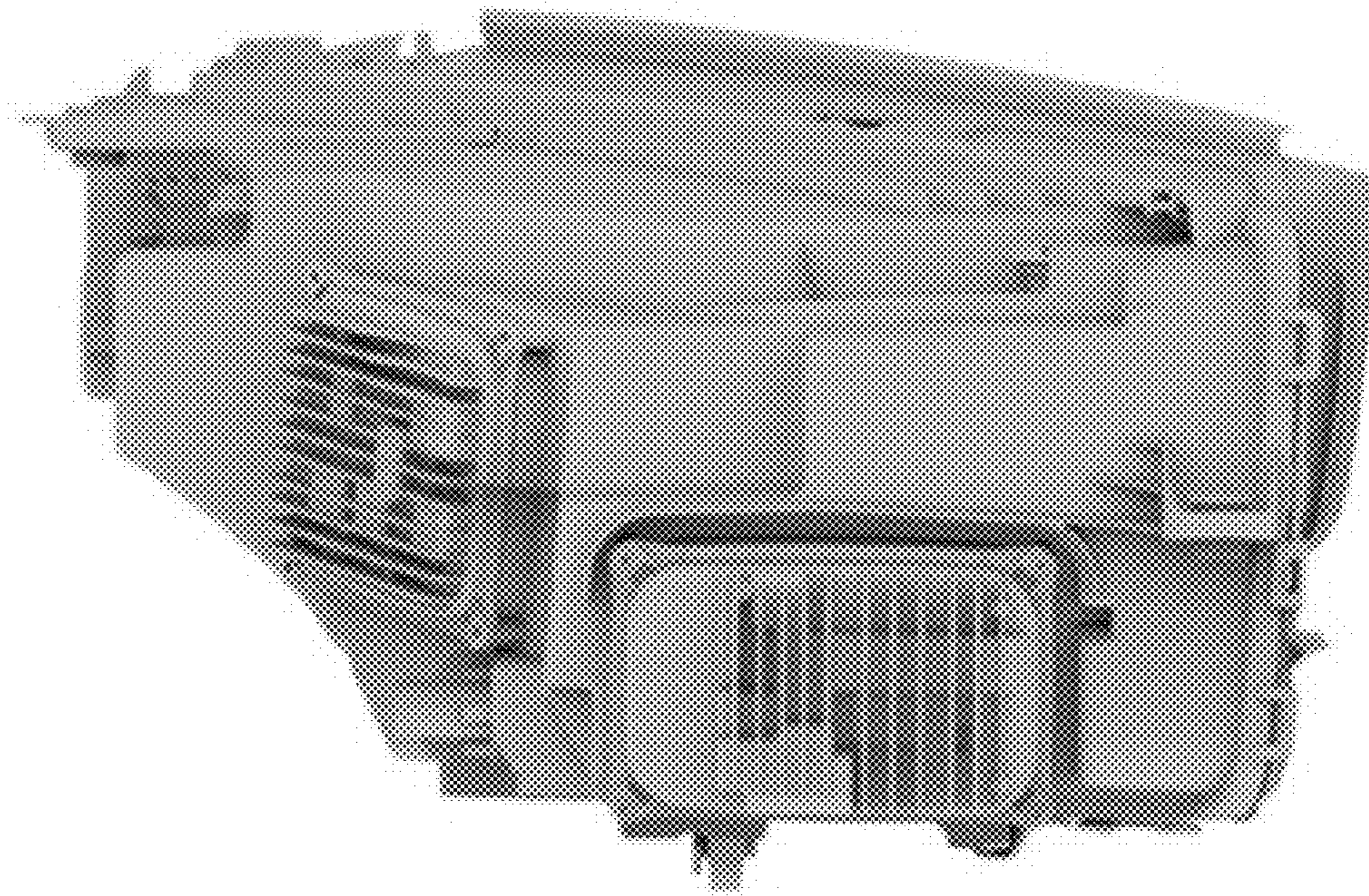


**1.3**



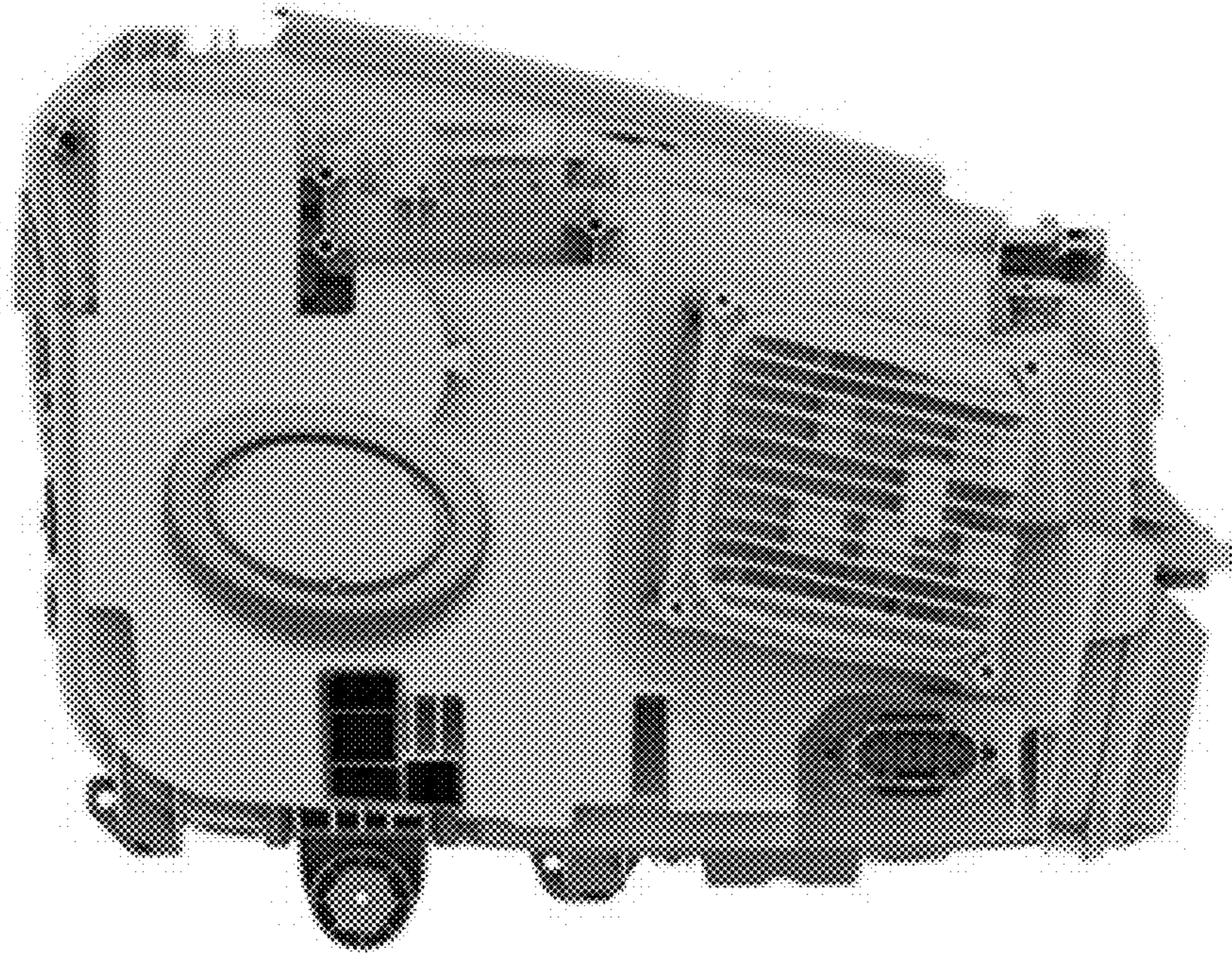


**1.4**



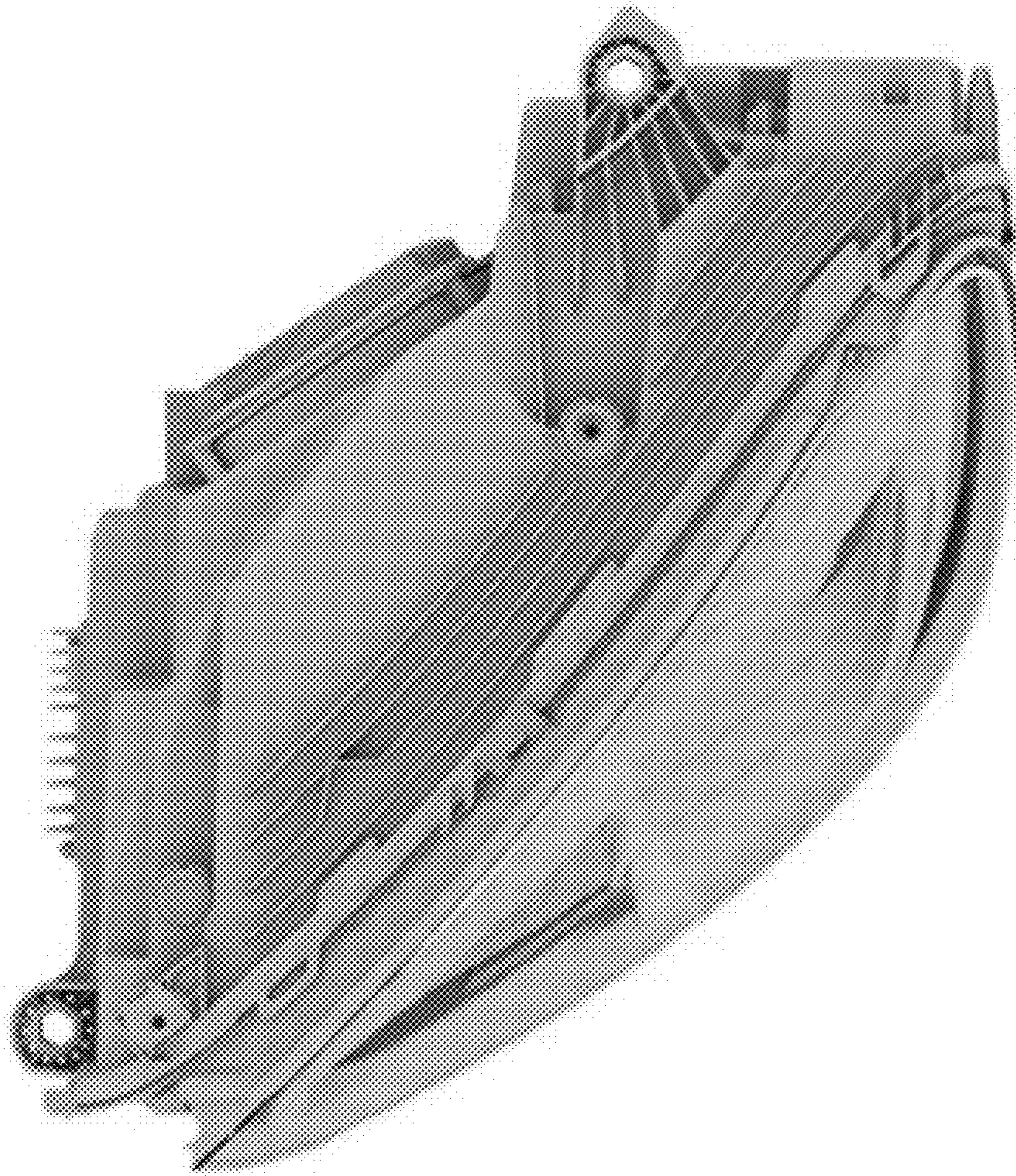


1.5





**1.6**





**1.7**

