



US00D894449S

(12) **United States Design Patent**
Wang

(10) **Patent No.:** **US D894,449 S**

(45) **Date of Patent:** **** Aug. 25, 2020**

(54) **LED LAMP FOR VEHICLE**

(71) Applicant: **Shenzhen Xincheng Innovation Co., Ltd**, Longgang Dist., Shenzhen (CN)

(72) Inventor: **Zhi Wang**, Shenzhen (CN)

(**) Term: **15 Years**

(21) Appl. No.: **29/733,830**

(22) Filed: **May 6, 2020**

(51) **LOC (12) Cl.** **26-03**

(52) **U.S. Cl.**
USPC **D26/28**

(58) **Field of Classification Search**

USPC D26/28-36, 139
CPC F21S 48/00; F21S 48/10; F21S 48/115;
F21S 48/225; F21S 48/1233; F21S
48/1266; F21S 48/1388; F21S 48/2268;
F21V 21/04; F21V 29/004; B60Q 9/13;
B60Q 9/135; B60Q 9/1375

See application file for complete search history.

(56) **References Cited**

U.S. PATENT DOCUMENTS

D490,172 S * 5/2004 Yamamoto D26/28
D521,162 S * 5/2006 Campagna D26/28

D564,683 S * 3/2008 Roach et al. D26/28
D570,011 S * 5/2008 Huang D26/28
D574,978 S * 8/2008 Hyodo et al. D26/28
D638,963 S * 5/2011 Huang D26/28
D713,570 S 9/2014 Yoshida

* cited by examiner

Primary Examiner — Brian N. Vinson

(74) *Attorney, Agent, or Firm* — ZANIP

(57) **CLAIM**

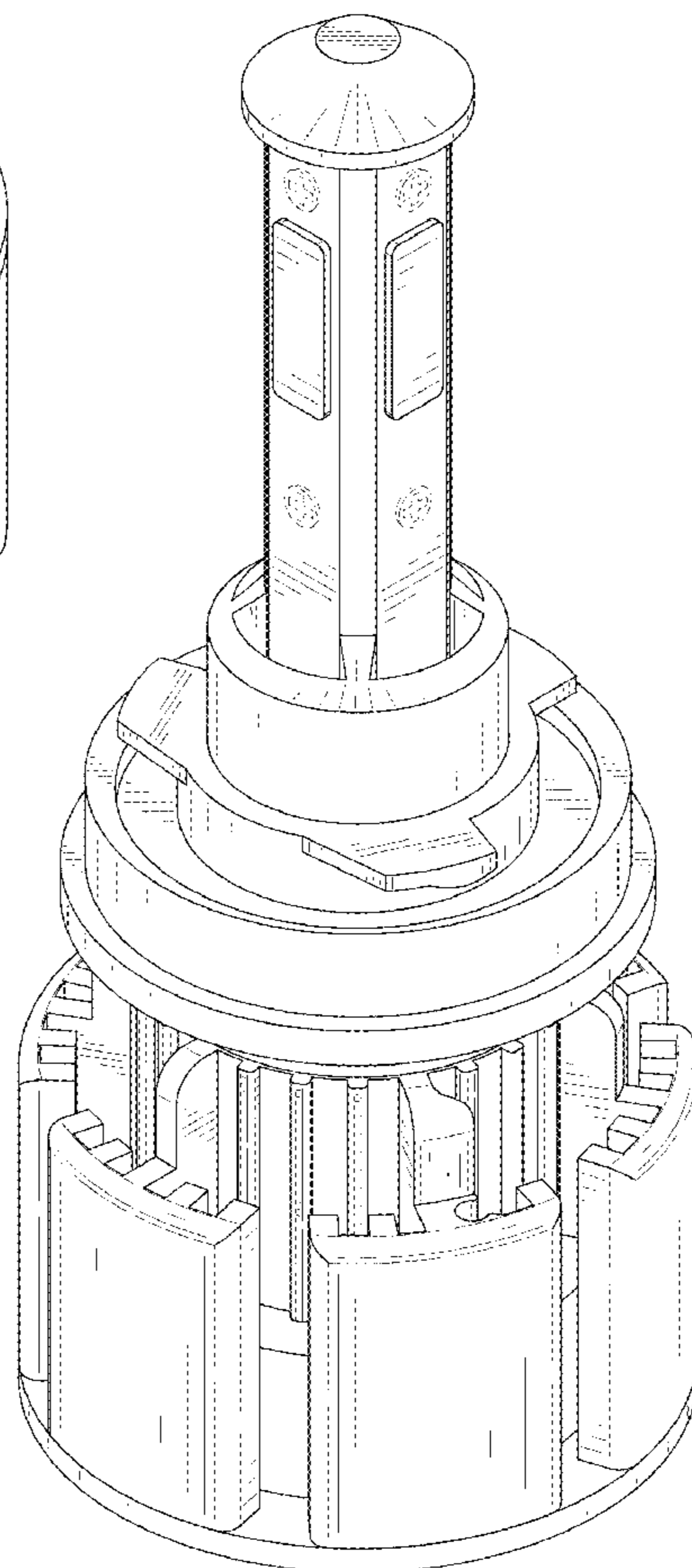
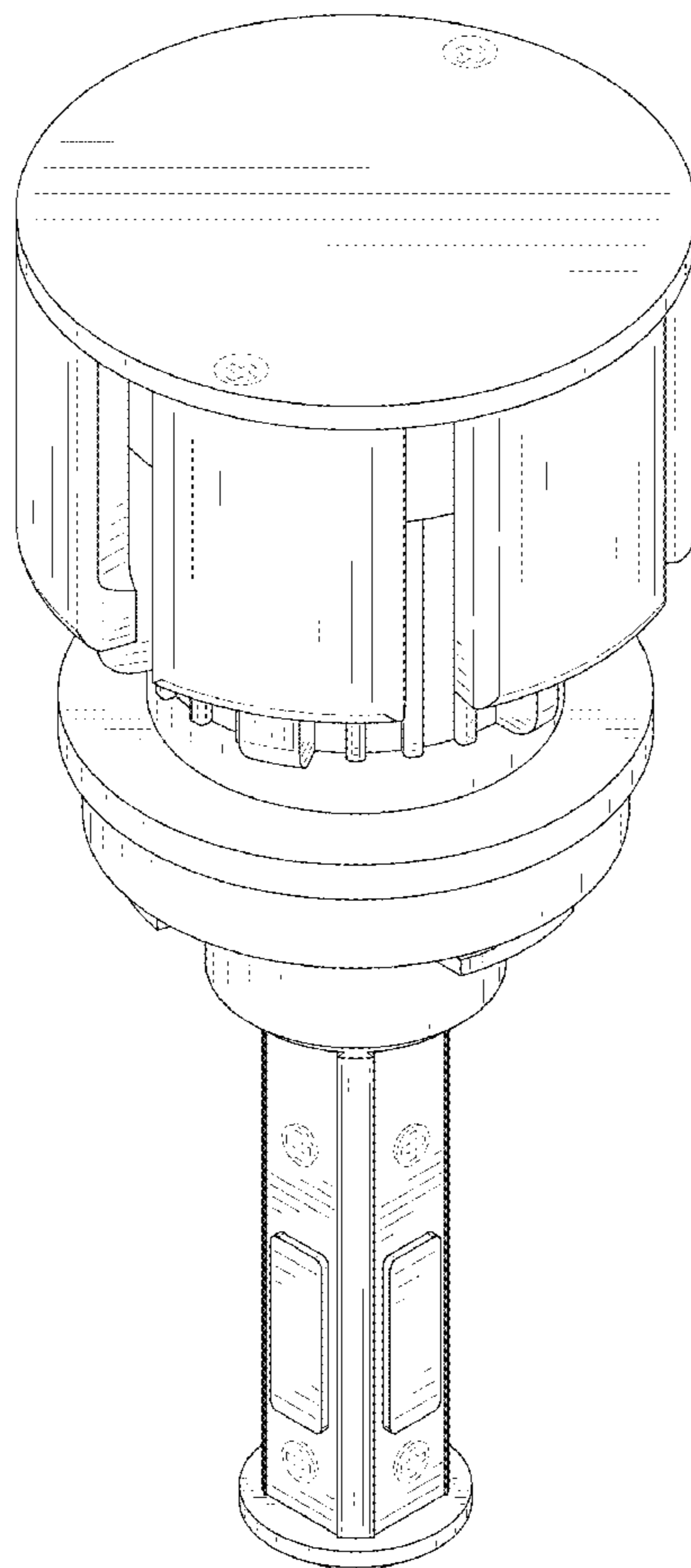
The ornamental design for an LED lamp for vehicle, as shown and described.

DESCRIPTION

FIG. 1 is a front and top perspective view of an LED lamp for vehicle, showing my new design;
FIG. 2 is a rear and bottom perspective view thereof;
FIG. 3 is a front elevational view thereof;
FIG. 4 is a rear elevational view thereof;
FIG. 5 is a left side elevational view thereof;
FIG. 6 is a right side elevational view thereof;
FIG. 7 is a top plan view thereof; and,
FIG. 8 is a bottom plan view thereof.

The broken lines in the figures illustrate portions of the article that form no part of the claimed design.

1 Claim, 8 Drawing Sheets



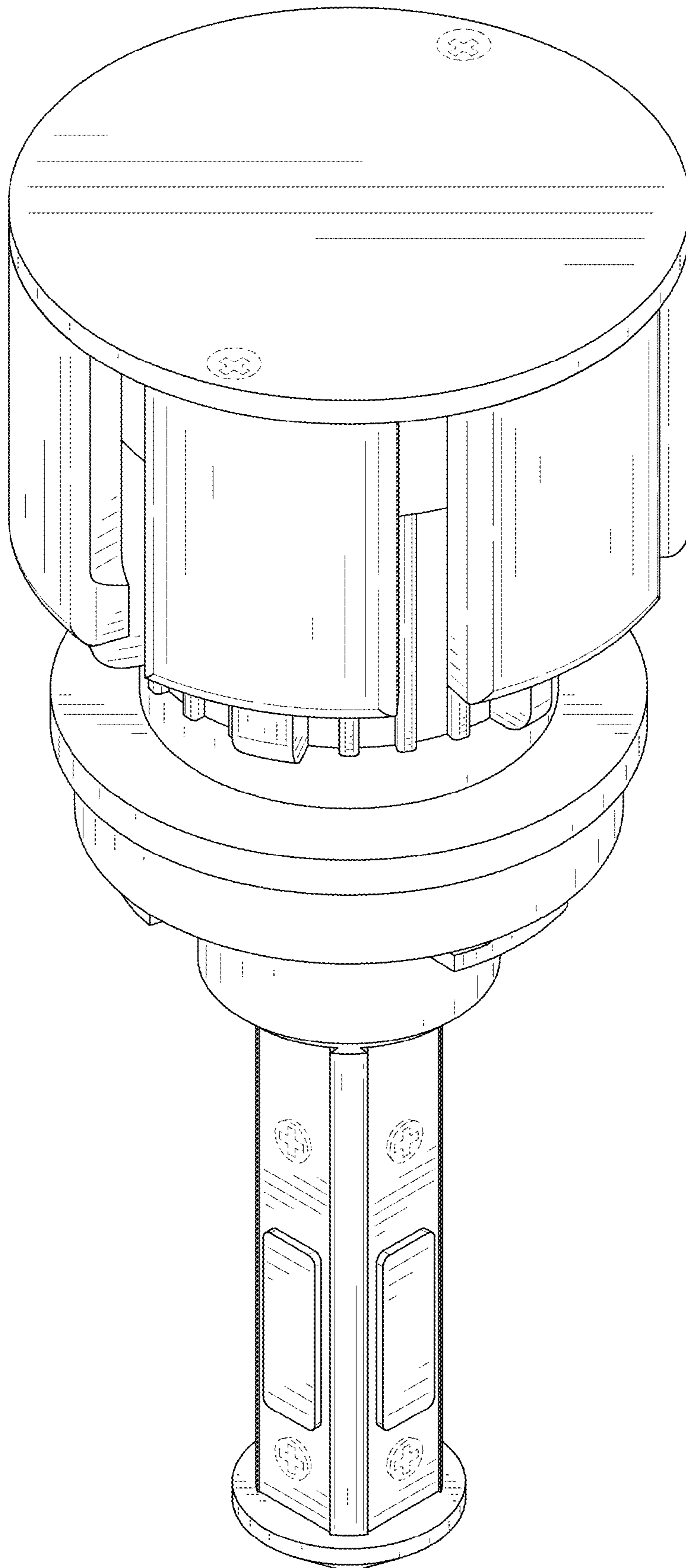


FIG. 1

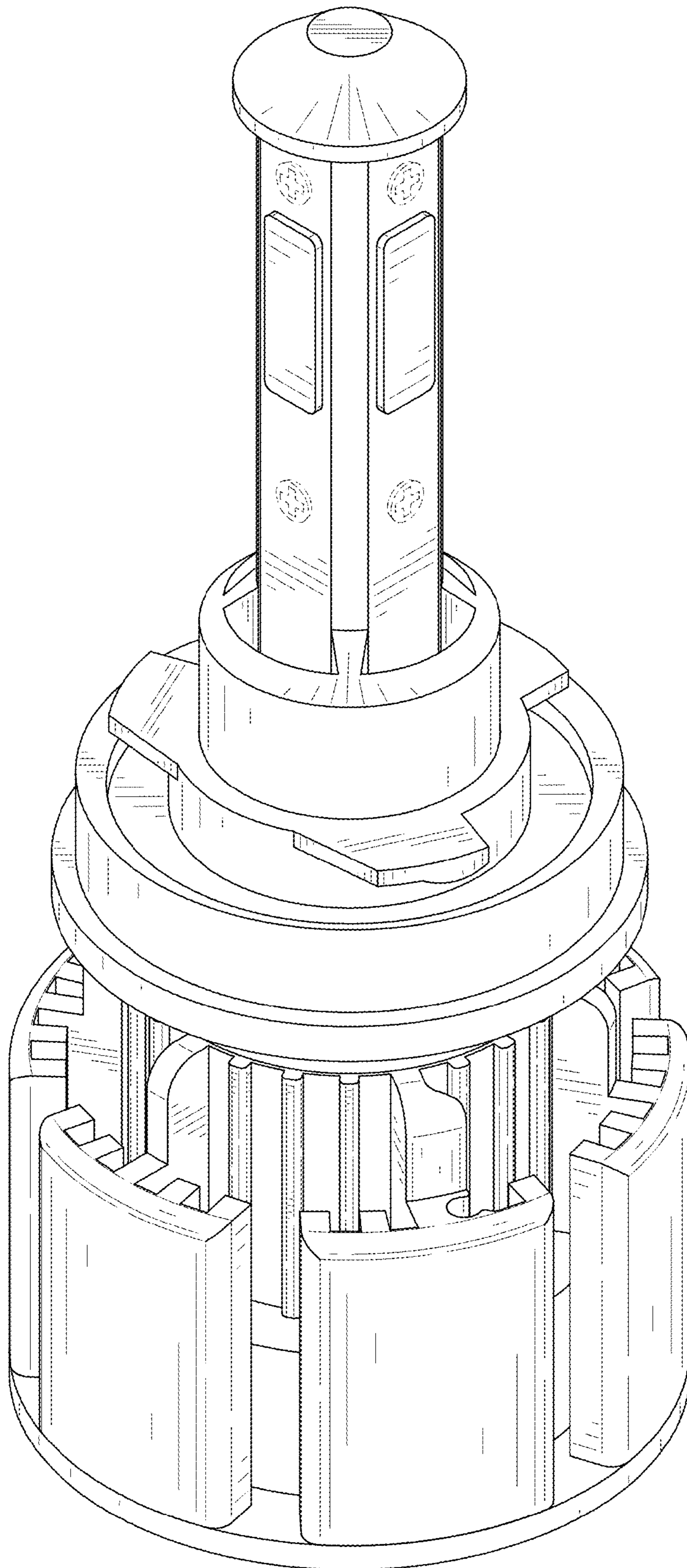


FIG. 2

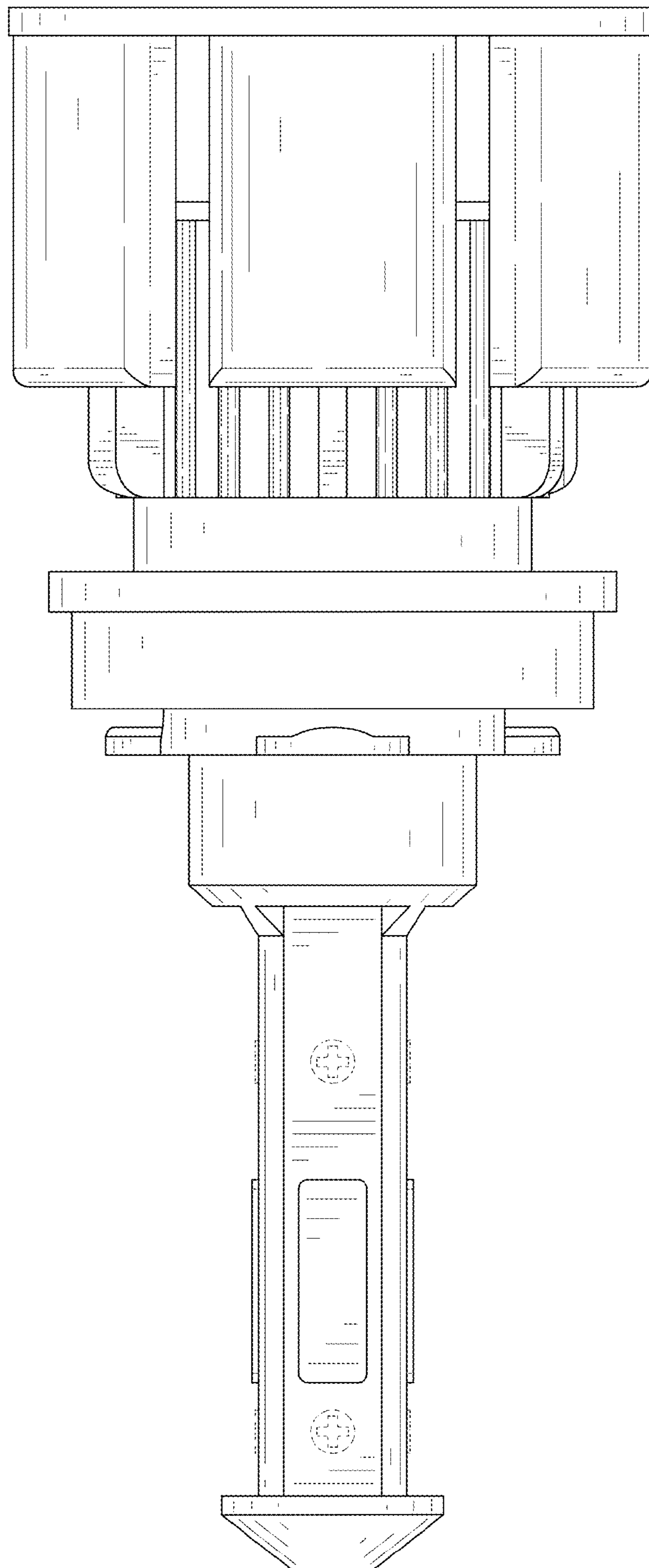


FIG. 3

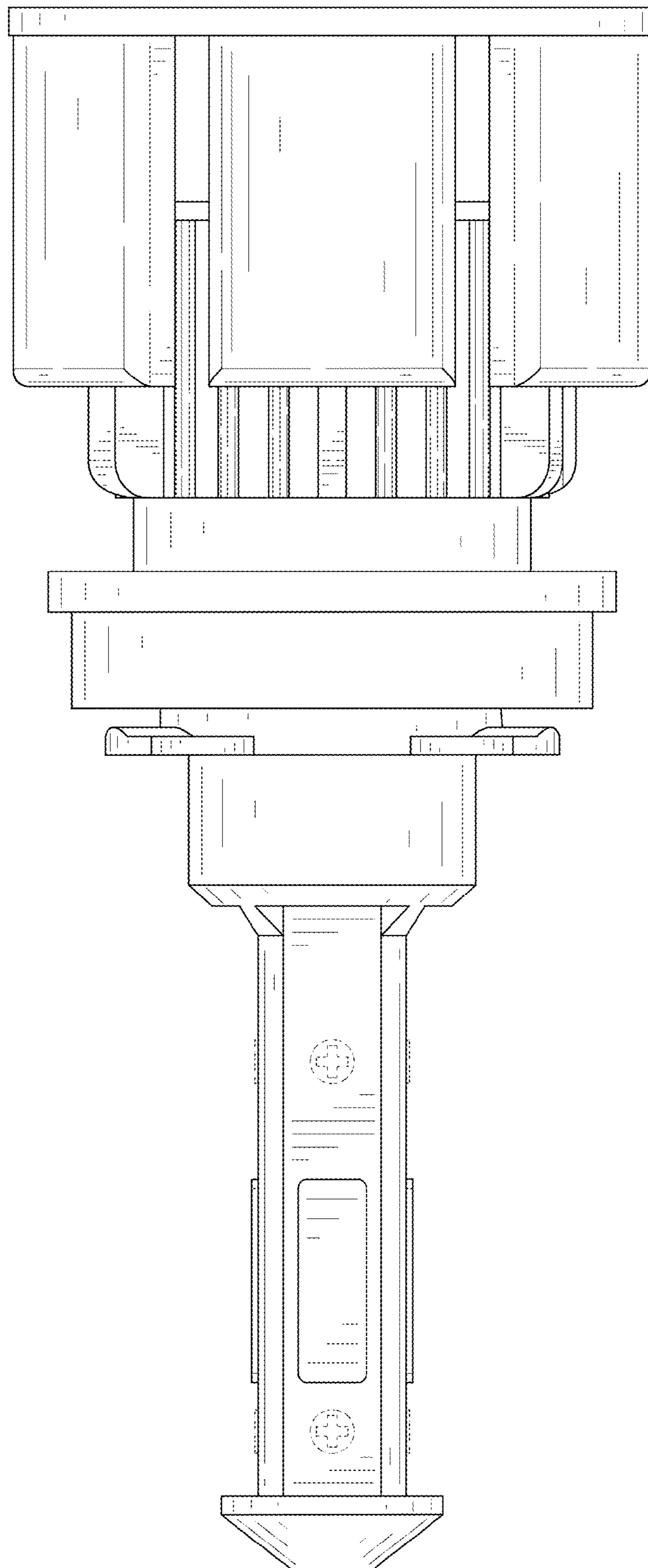


FIG. 4

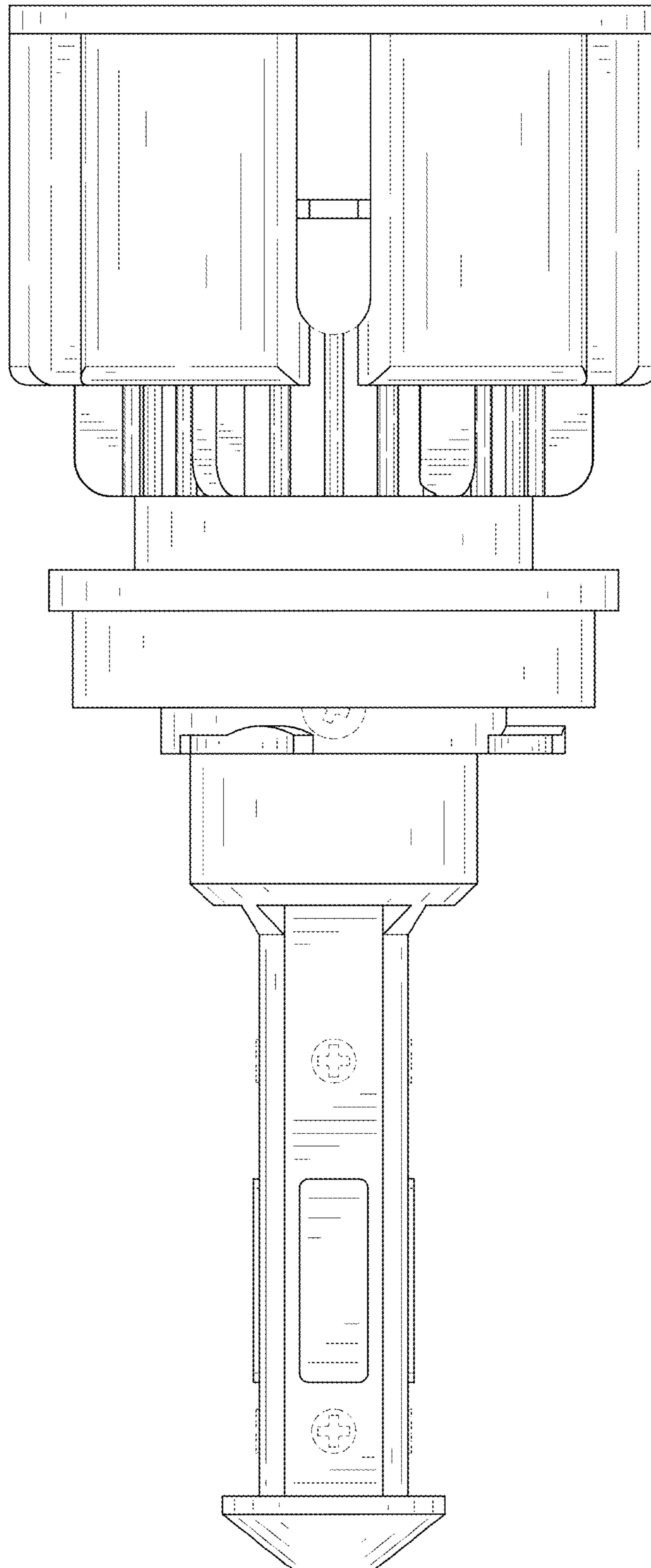


FIG. 5

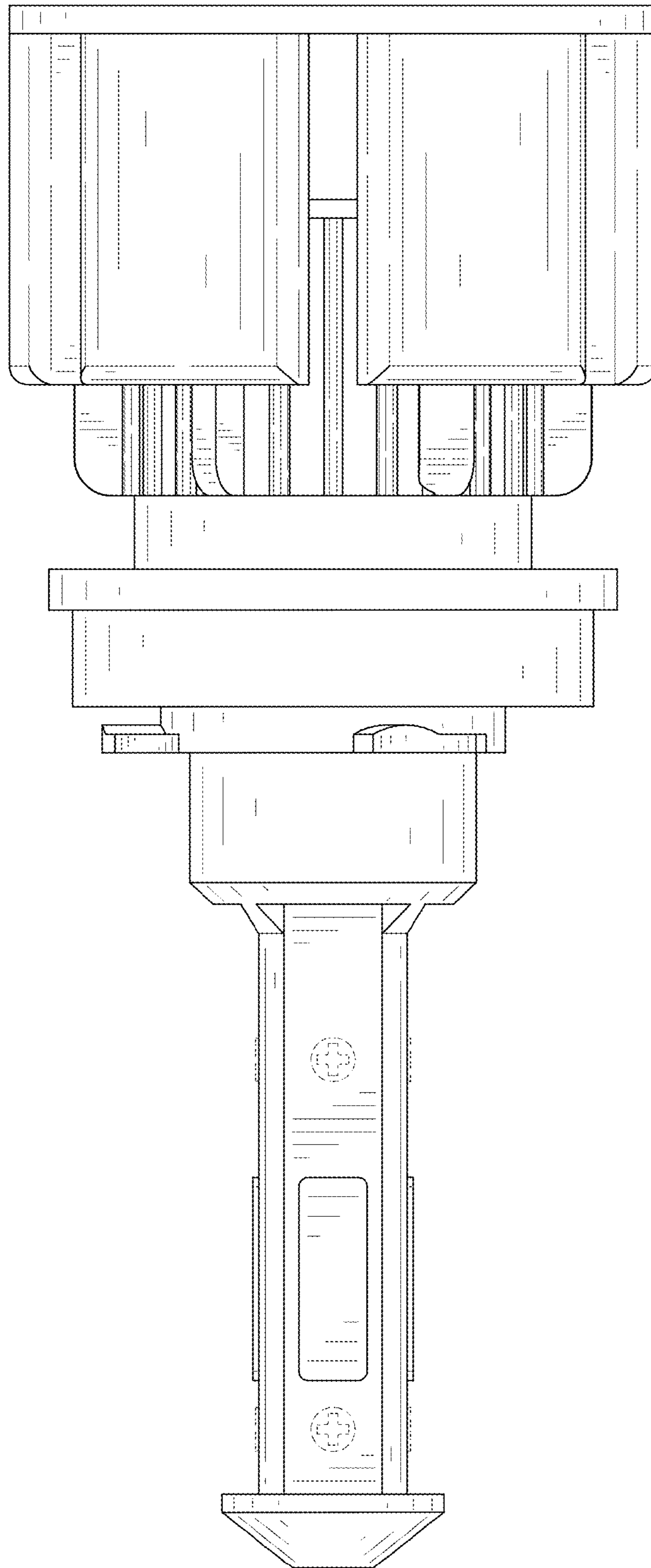


FIG. 6

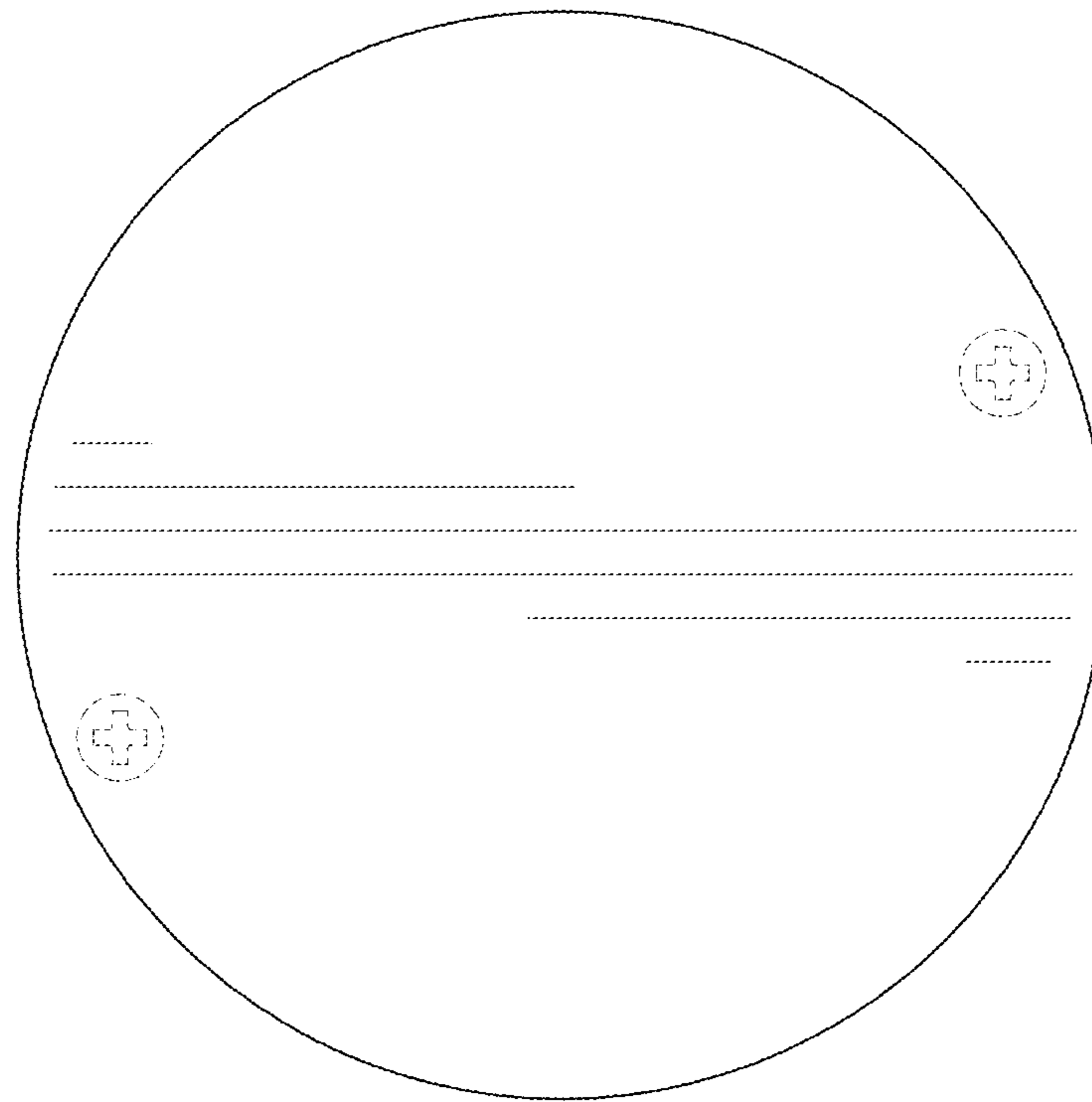


FIG. 7

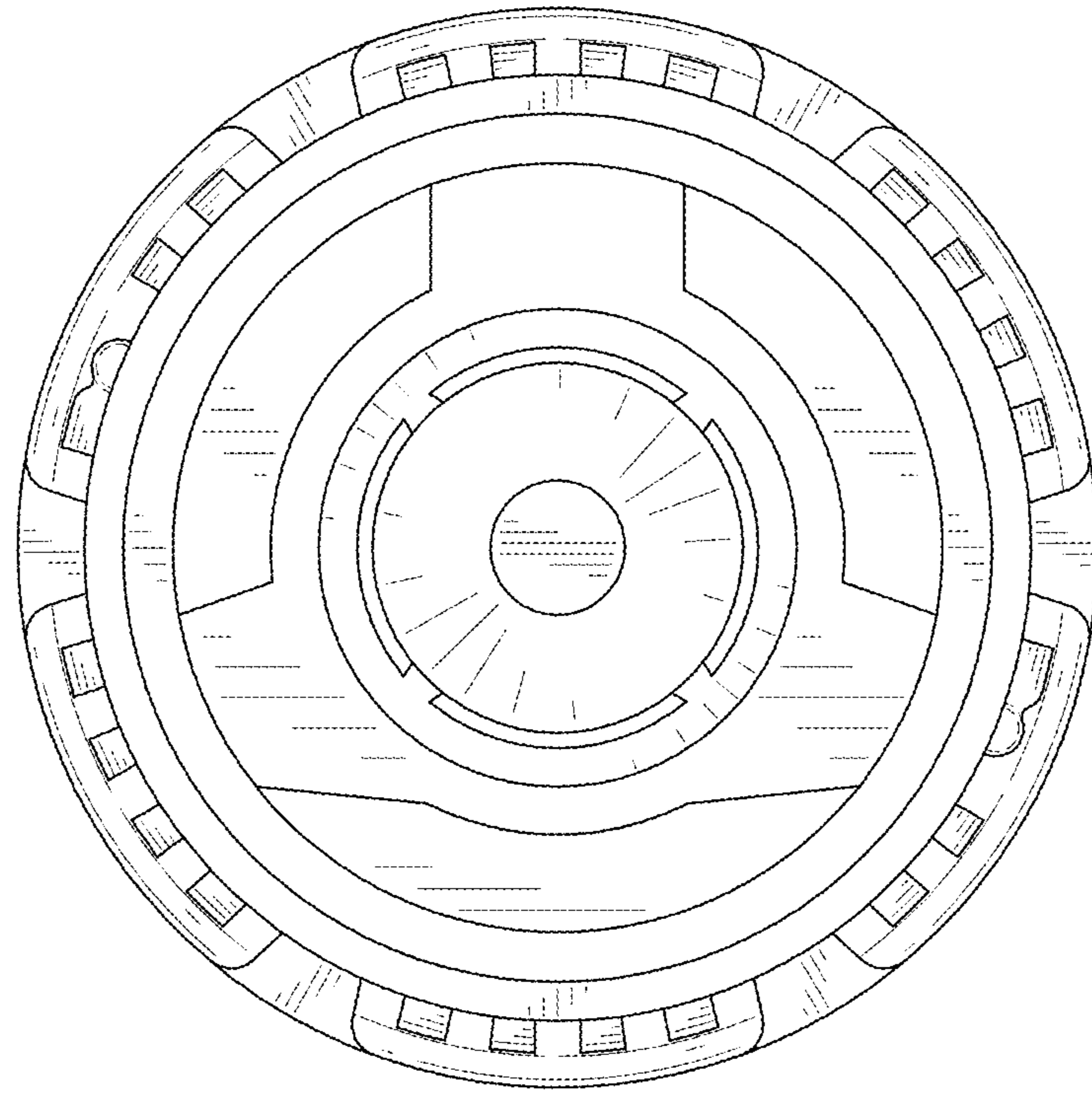


FIG. 8