



US00D894447S

(12) **United States Design Patent**  
**Madden**

(10) **Patent No.:** **US D894,447 S**

(45) **Date of Patent:** **\*\* Aug. 25, 2020**

(54) **MOTORCYCLE REAR LIGHT HOUSING**

D583,490 S \* 12/2008 Rogers ..... D26/28  
D745,720 S \* 12/2015 Chang ..... D26/28

(71) Applicant: **Ciro, LLC**, Hudson, WI (US)

\* cited by examiner

(72) Inventor: **Kenneth Madden**, Ramsey, MN (US)

*Primary Examiner* — Marcus A Jackson

(73) Assignee: **CIRO, LLC**, Hudson, WI (US)

(74) *Attorney, Agent, or Firm* — Dicke, Billig & Czaja, PLLC

(\*\*) Term: **15 Years**

(21) Appl. No.: **29/695,298**

(57) **CLAIM**

(22) Filed: **Jun. 18, 2019**

The ornamental design for a motorcycle rear light housing, as shown and described.

(51) **LOC (12) Cl.** ..... **26-06**

(52) **U.S. Cl.**

USPC ..... **D26/28**

(58) **Field of Classification Search**

USPC ..... D26/28-36, 139

CPC ..... F21S 48/00; F21S 48/10; F21S 48/115;

F21S 48/225; F21S 48/1233; F21S

48/1266; F21S 48/1388; F21S 48/2268;

F21V 21/04; F21V 29/004; B60Q 9/13;

B60Q 9/135; B60Q 9/1375

See application file for complete search history.

**DESCRIPTION**

FIG. 1 is a perspective view of the motorcycle rear light housing.

FIG. 2 is a front elevation view thereof.

FIG. 3 is a rear elevation view thereof.

FIG. 4 is a top side view thereof.

FIG. 5 is a bottom side view thereof.

FIG. 6 is a first side view thereof; and,

FIG. 7 is a second side view thereof, opposite the first side view.

The features within the housing and the rear surface shown in broken lines form no part of the claimed design.

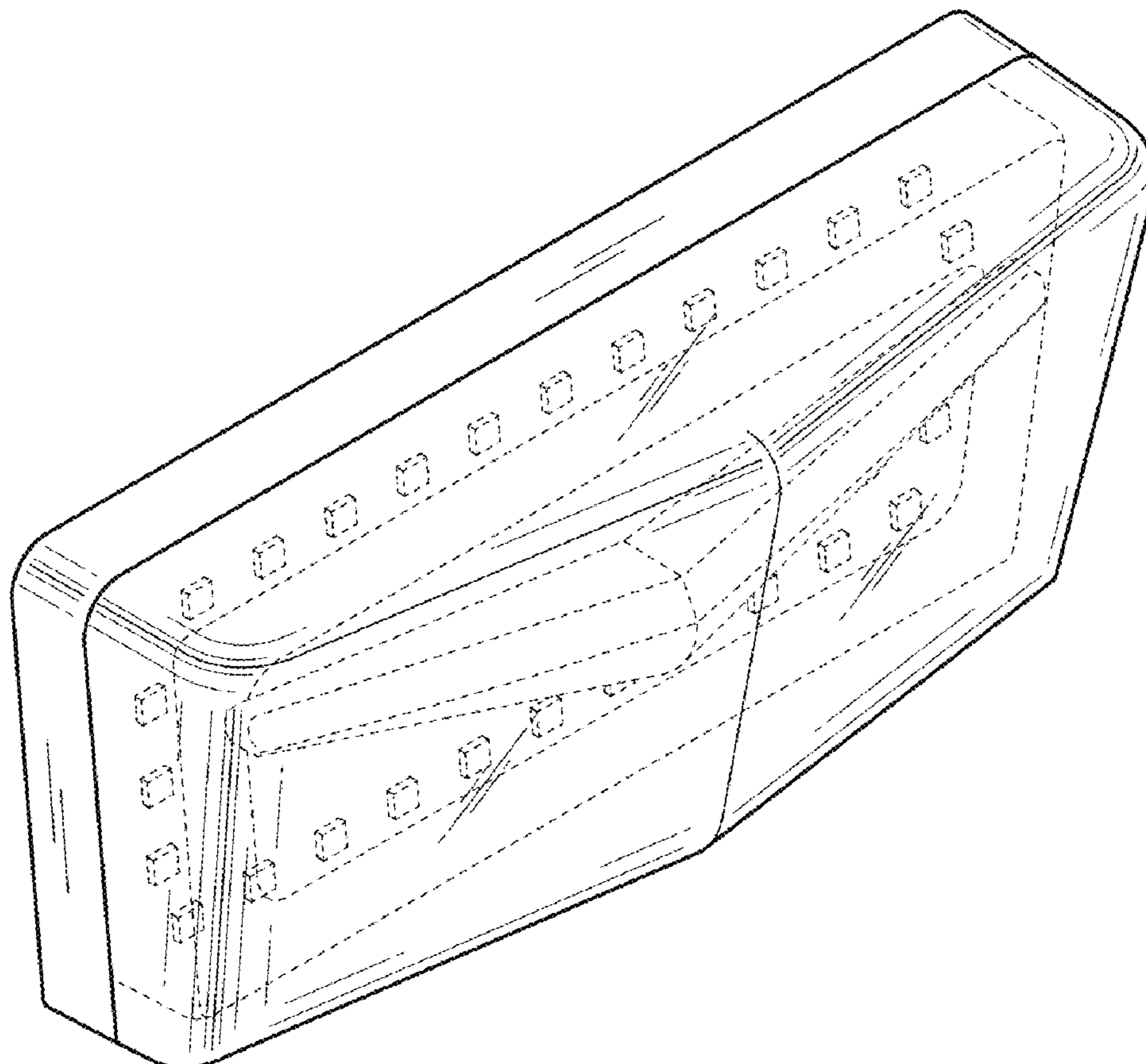
(56) **References Cited**

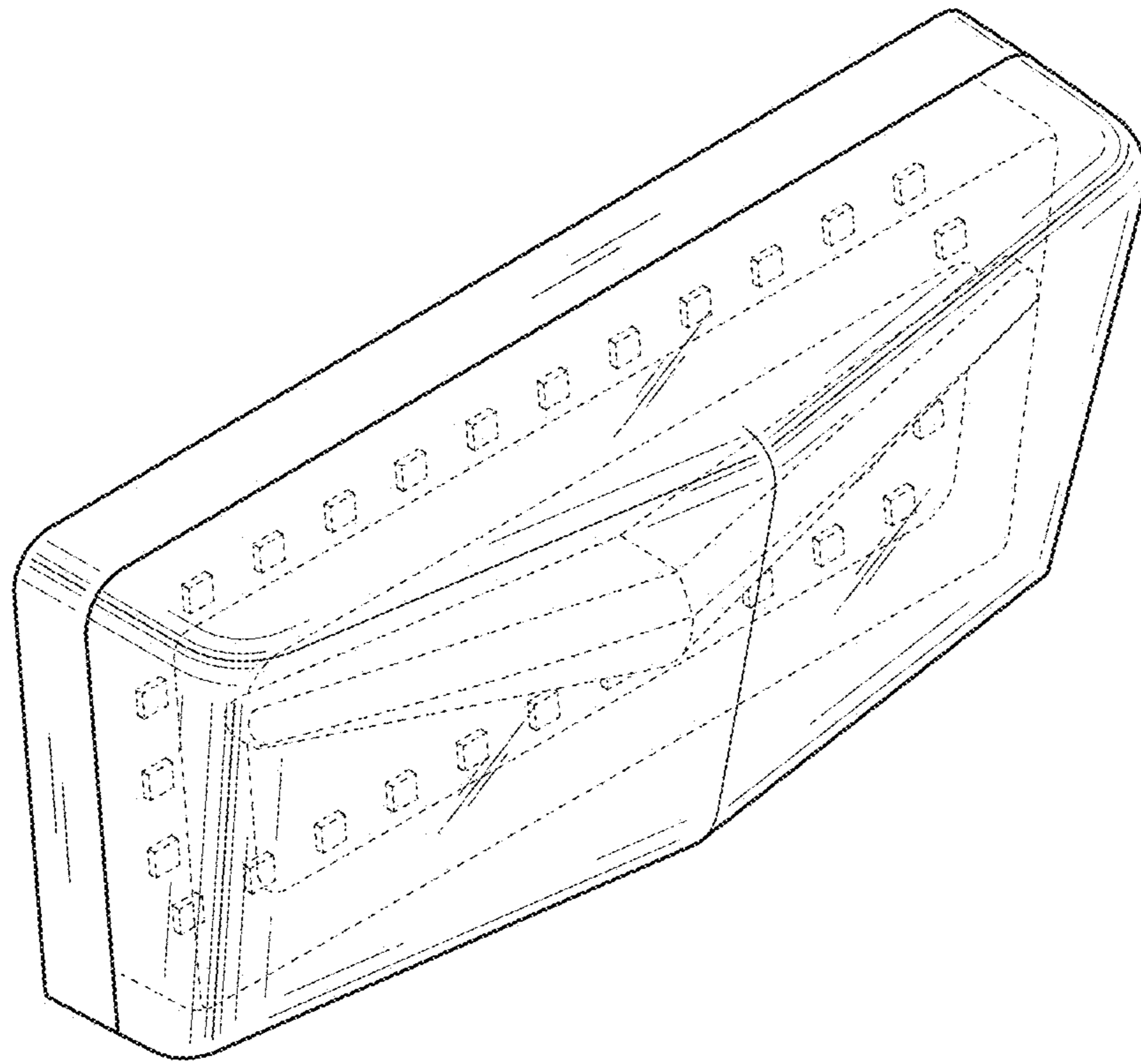
**U.S. PATENT DOCUMENTS**

D512,790 S \* 12/2005 Handsaker ..... D26/28

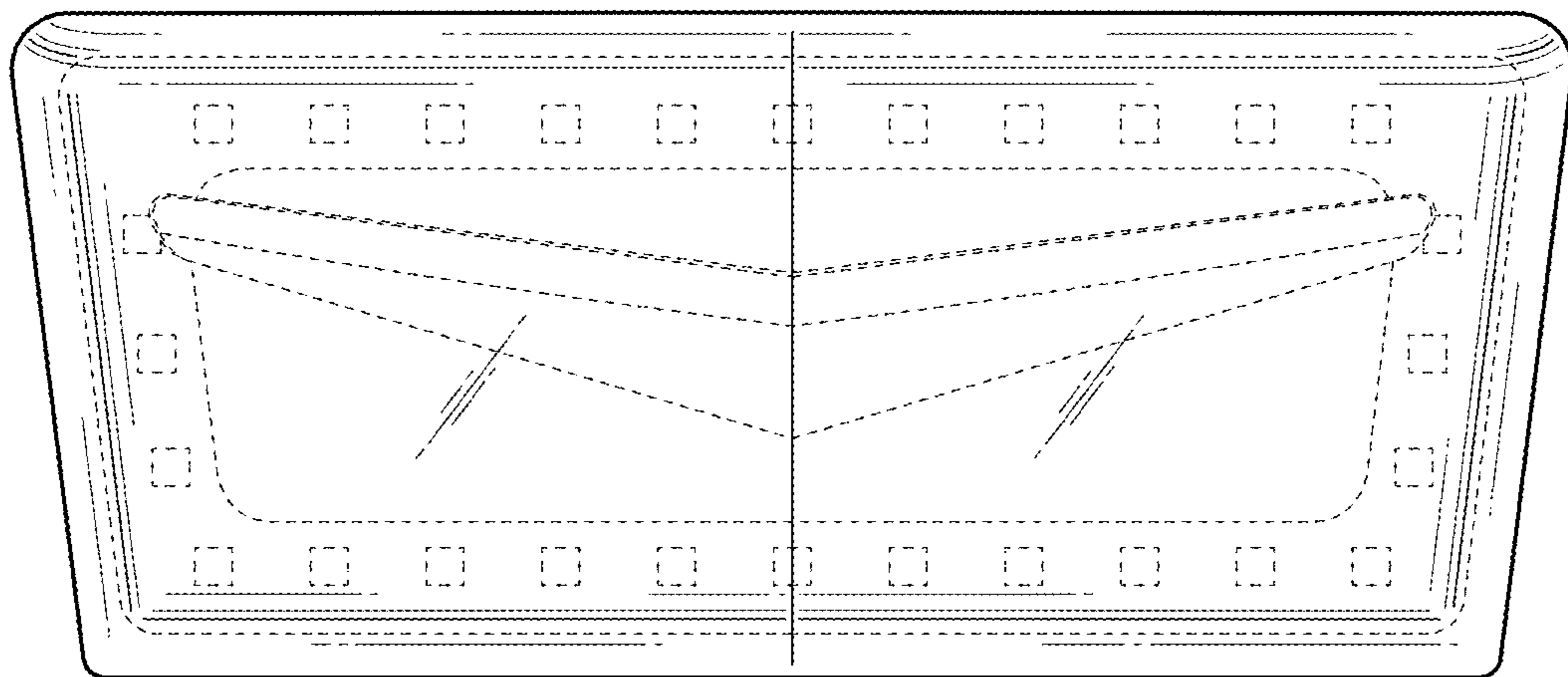
D549,367 S \* 8/2007 Hovind ..... D26/28

**1 Claim, 5 Drawing Sheets**

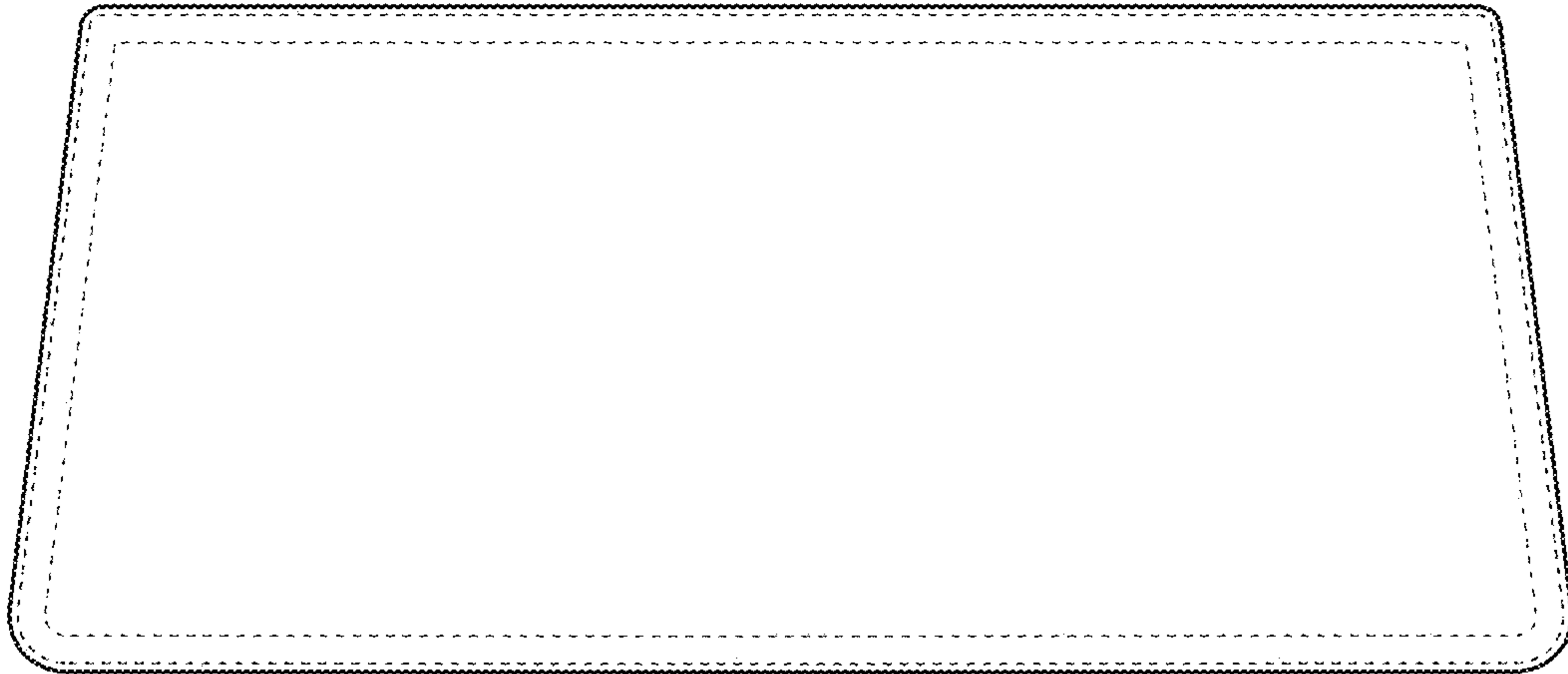




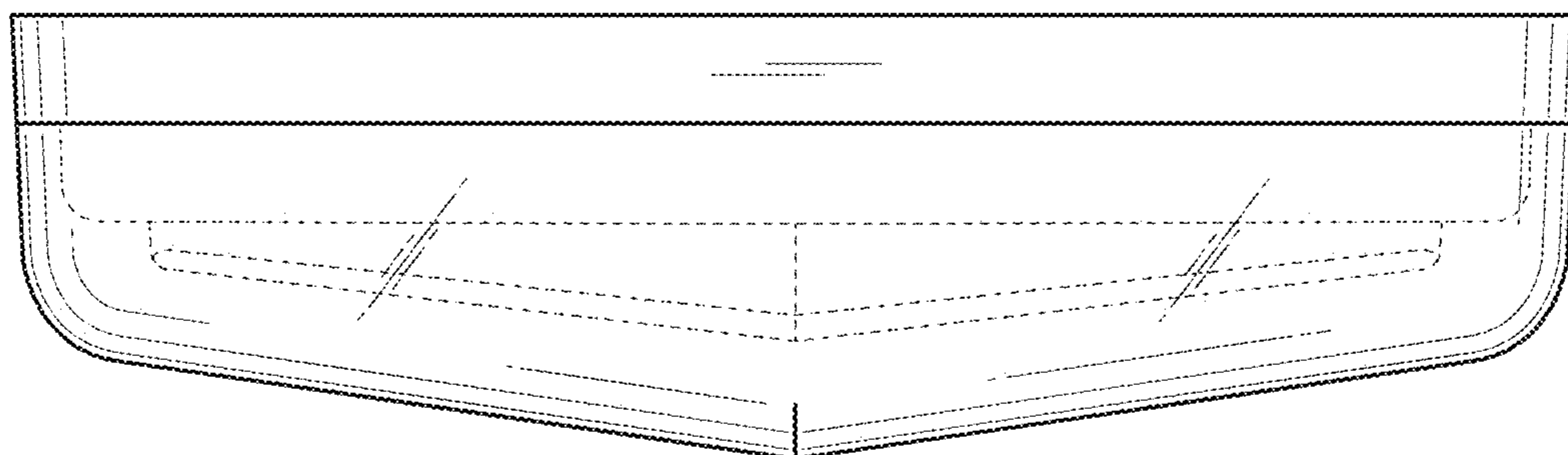
**Fig. 1**



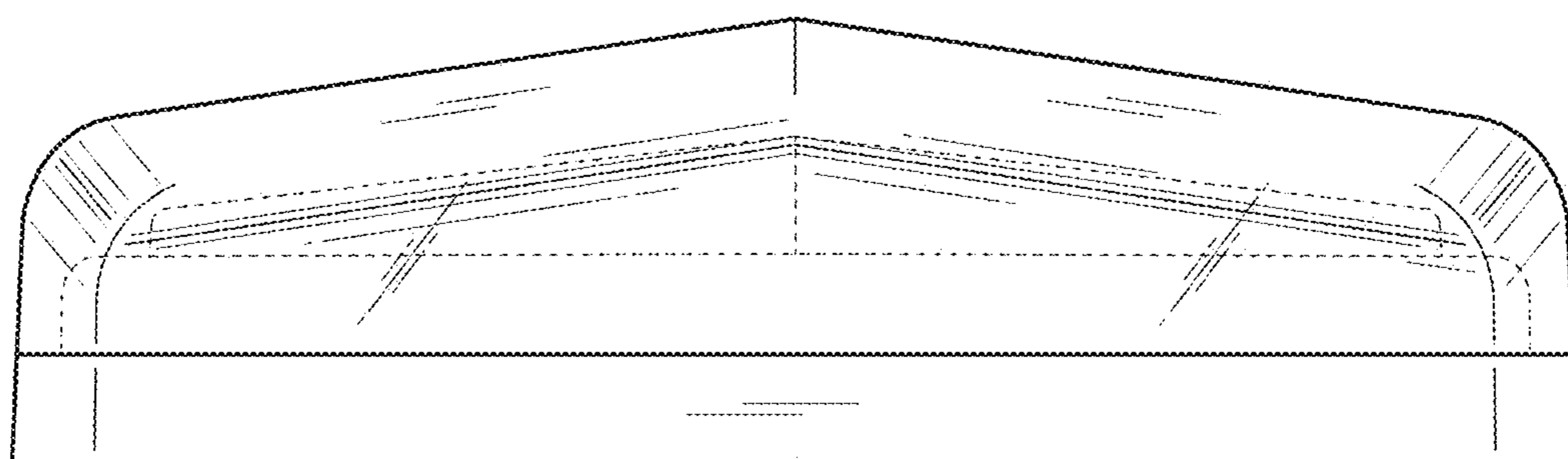
**Fig. 2**



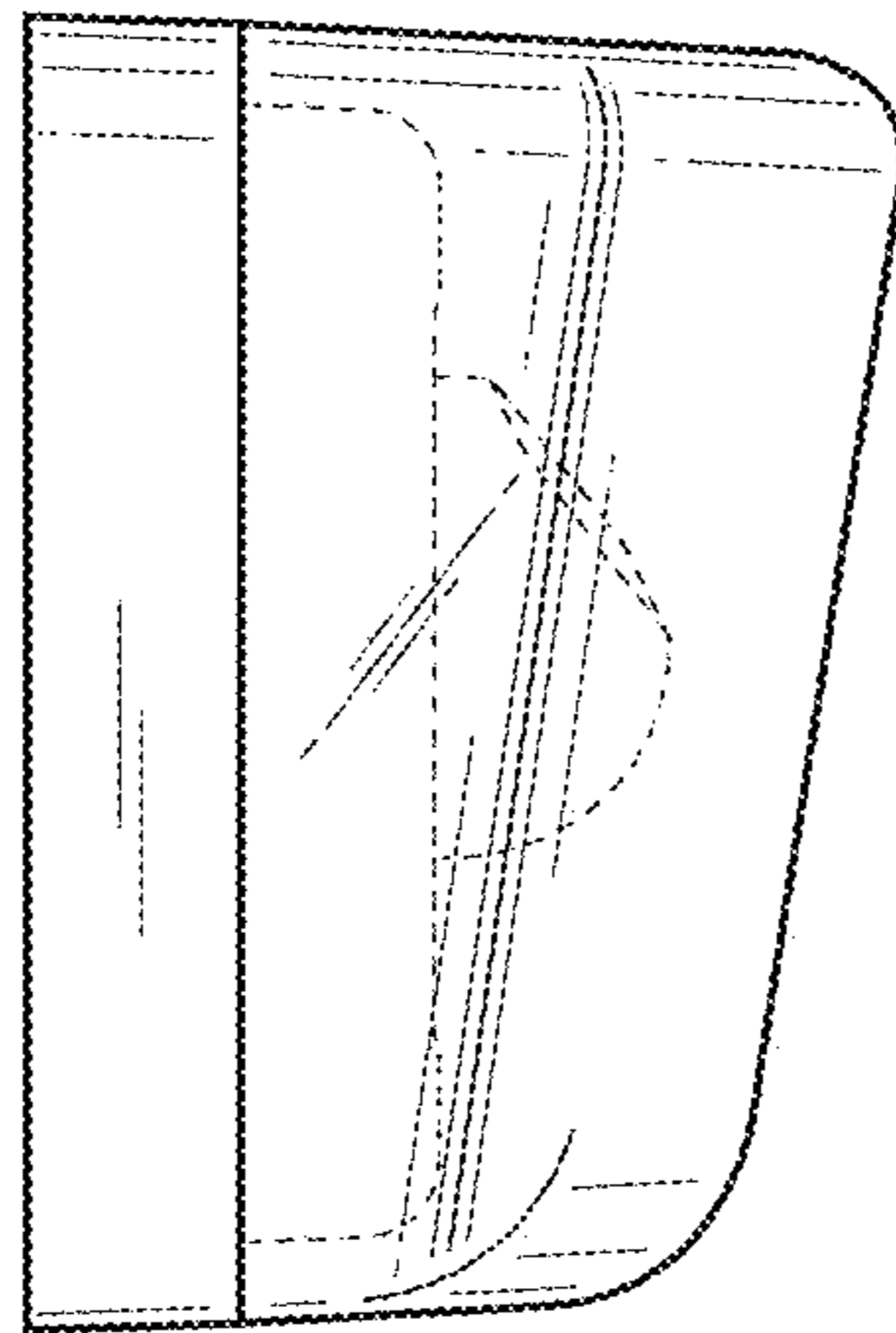
**Fig. 3**



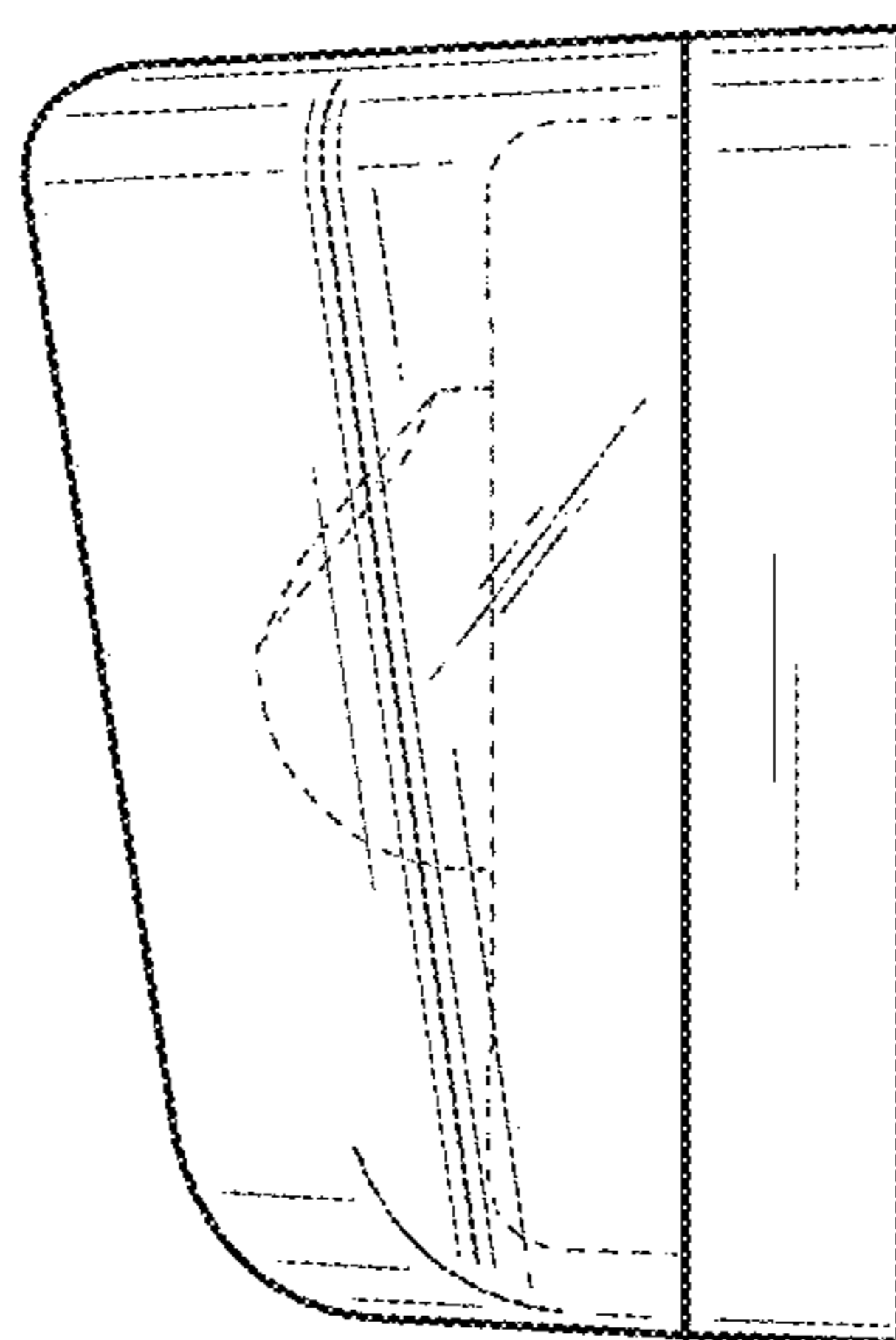
**Fig. 4**



**Fig. 5**



**Fig. 6**



**Fig. 7**