



US00D894444S

(12) **United States Design Patent** (10) **Patent No.:** **US D894,444 S**
Sato et al. (45) **Date of Patent:** **** Aug. 25, 2020**

(54) **TAILLIGHT FOR A MOTOR VEHICLE**

(71) Applicant: **MAZDA MOTOR CORPORATION**,
Hiroshima (JP)

(72) Inventors: **Tamami Sato**, Hiroshima (JP); **Masaki Hirata**, Hiroshima (JP); **Shinichi Harada**, Hiroshima (JP)

(73) Assignee: **MAZDA MOTOR CORPORATION**,
Hiroshima (JP)

(**) Term: **15 Years**

(21) Appl. No.: **29/691,266**

(22) Filed: **May 15, 2019**

(30) **Foreign Application Priority Data**

Nov. 16, 2018 (JP) 2018-025041

(51) **LOC (12) Cl.** **26-06**

(52) **U.S. Cl.**
USPC **D26/28**

(58) **Field of Classification Search**
USPC D26/28-36, 139
CPC F21S 48/00; F21S 48/10; F21S 48/115;
F21S 48/225; F21S 48/1233; F21S
48/1266; F21S 48/1388; F21S 48/2268;
F21V 21/04; F21V 29/004; B60Q 9/13;
B60Q 9/135; B60Q 9/1375

See application file for complete search history.

(56) **References Cited**

U.S. PATENT DOCUMENTS

D605,793 S * 12/2009 Weil D26/28
D607,589 S * 1/2010 Mattin D26/28
D632,812 S * 2/2011 Matsumoto D26/28
D656,642 S * 3/2012 Shimada D26/28

OTHER PUBLICATIONS

Printout of the website of Mazda Motor Corporation "Mazda Vision Coupe"; published Oct. 25, 2017; Mazda Motor Corporation.

* cited by examiner

Primary Examiner — Marcus A Jackson
(74) *Attorney, Agent, or Firm* — Studebaker & Brackett
PC

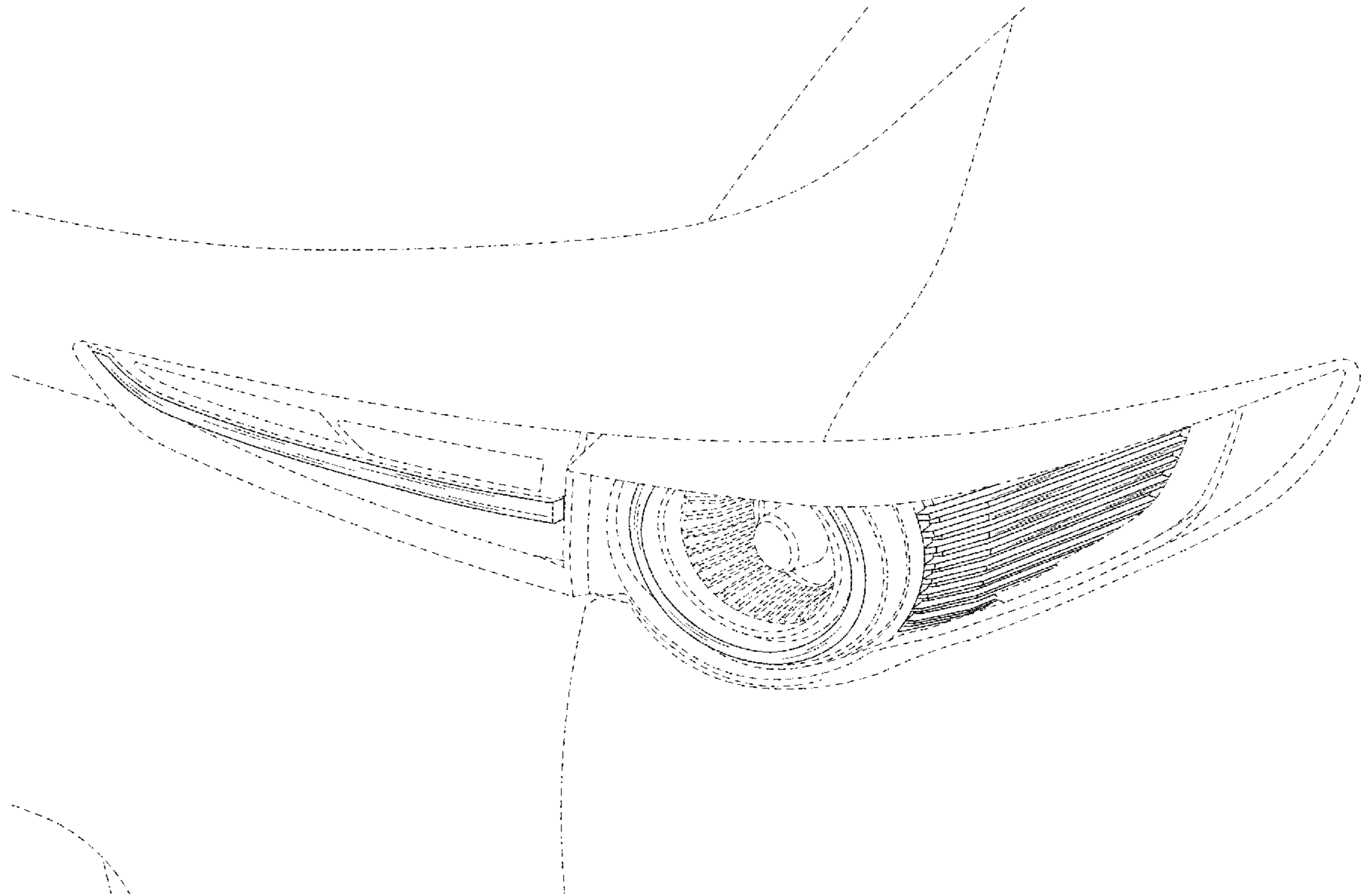
(57) **CLAIM**

The ornamental design for a taillight for a motor vehicle, as shown and described.

DESCRIPTION

FIG. 1 is a front view of a taillight for a motor vehicle; FIG. 2 is a left side view thereof; FIG. 3 is a partially enlarged front view thereof; FIG. 4 is a partially enlarged left side view thereof; FIG. 5 is an enlarged first perspective view thereof; and, FIG. 6 is an enlarged second perspective view thereof. The broken lines depict portions of the taillight for a motor vehicle in which the design is embodied that are not considered part of the claimed design.

1 Claim, 6 Drawing Sheets



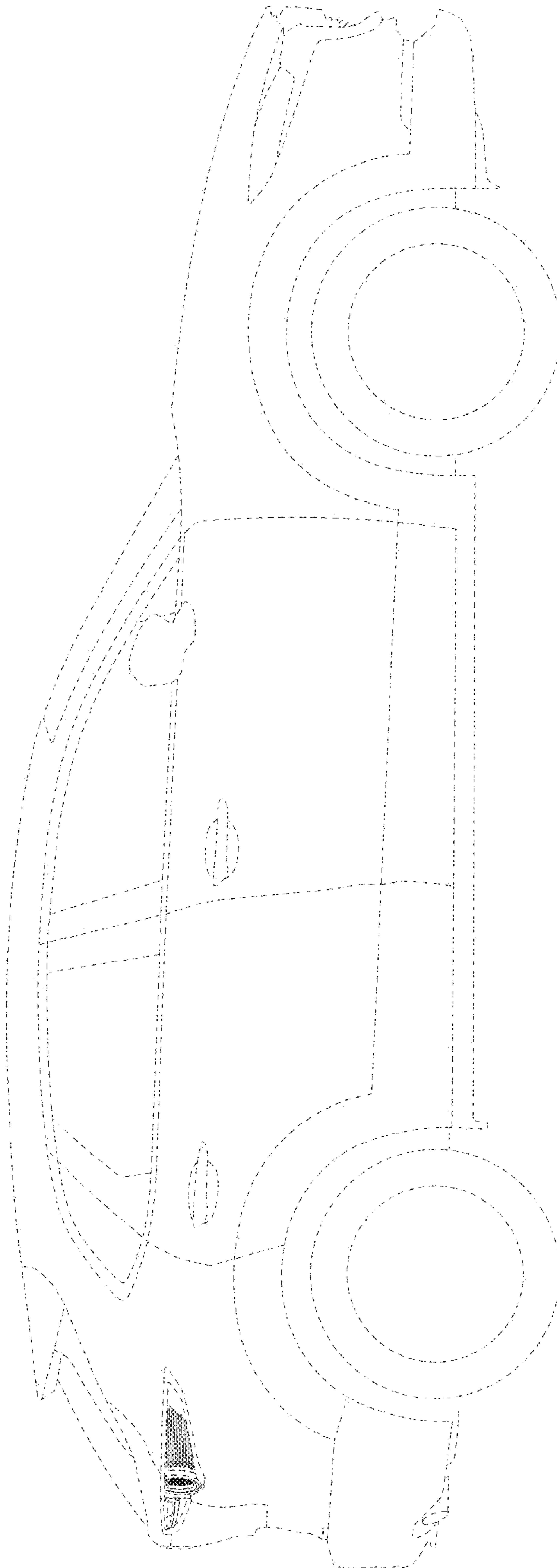


FIG. 1

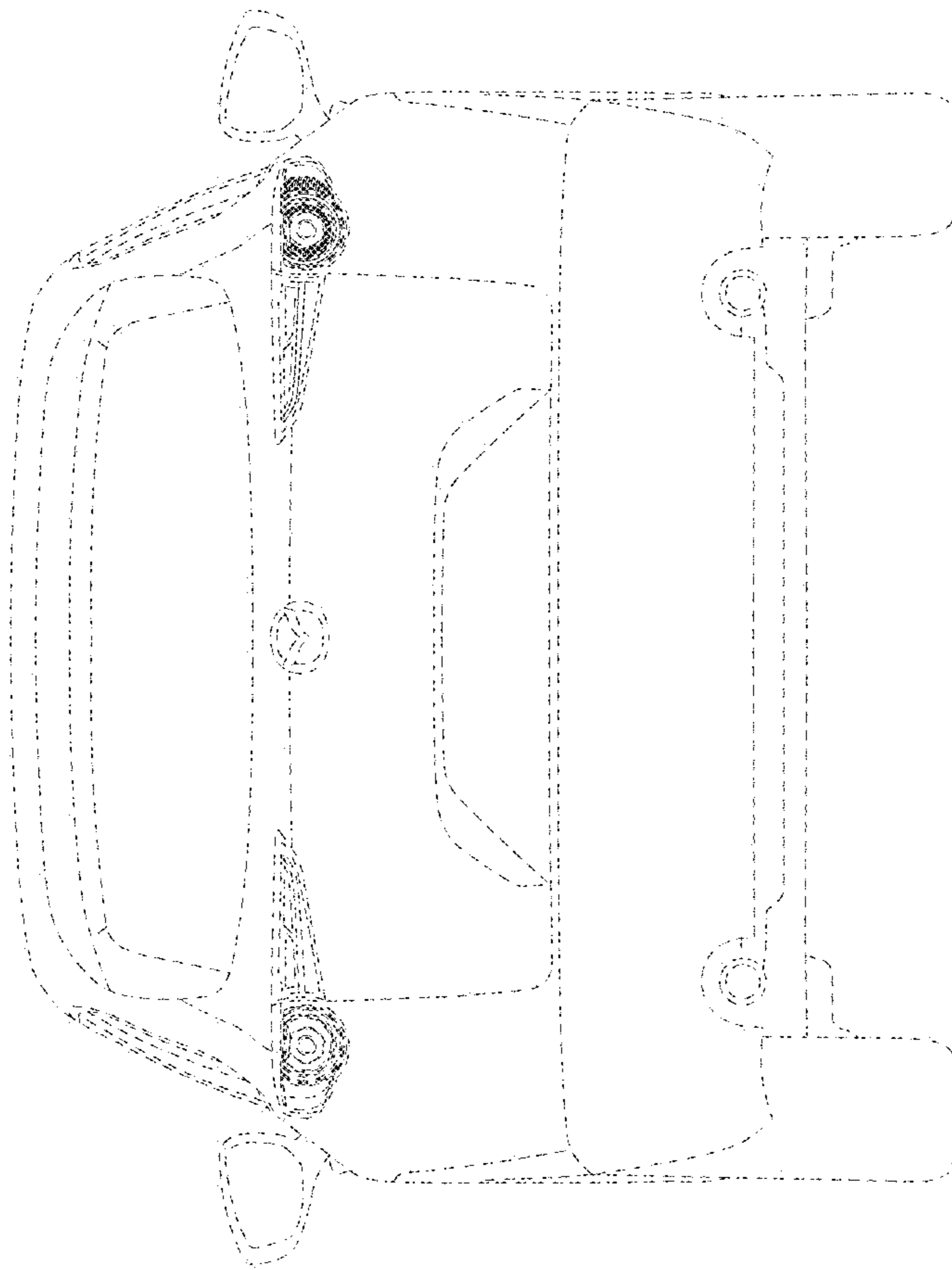


FIG. 2

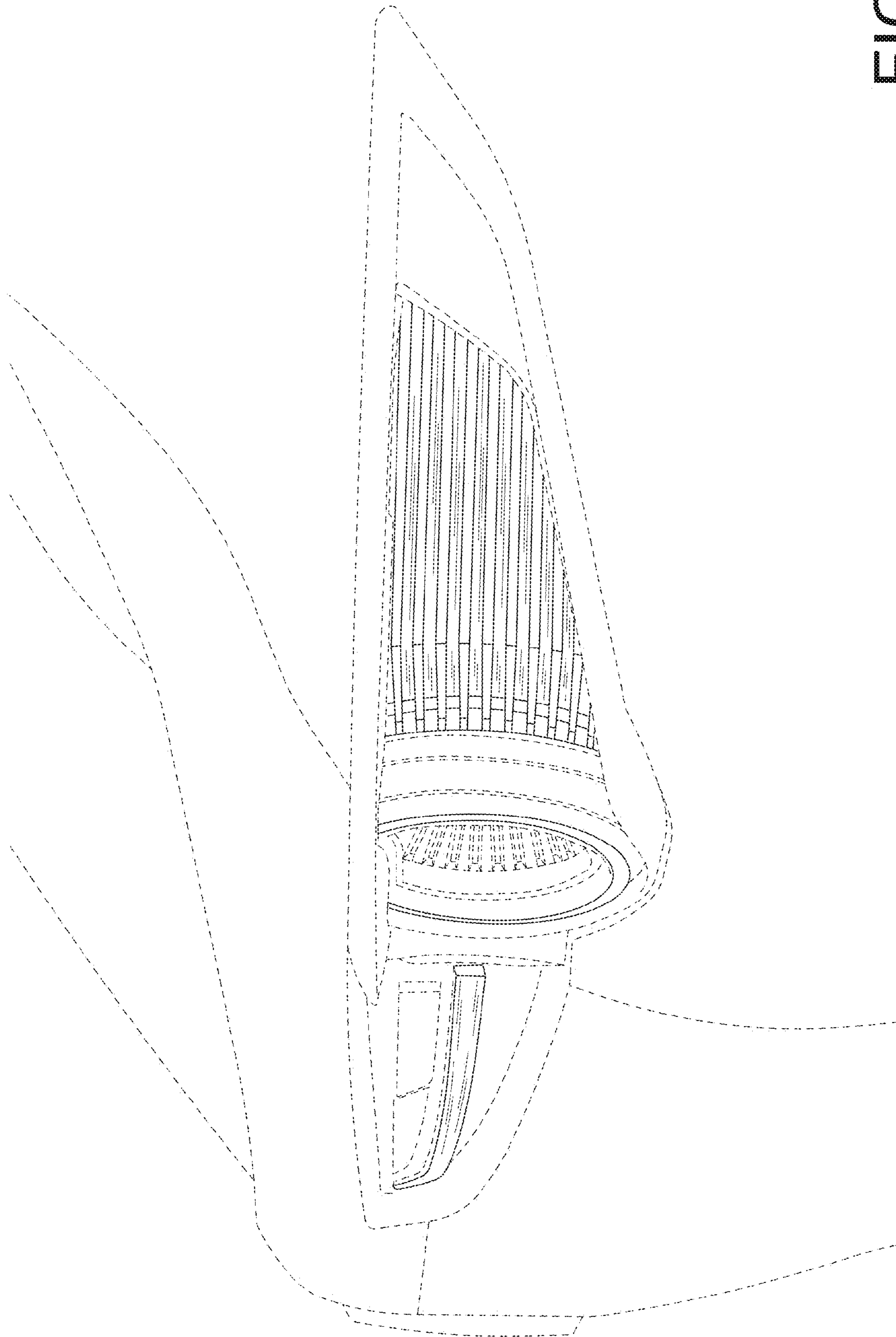


FIG. 3

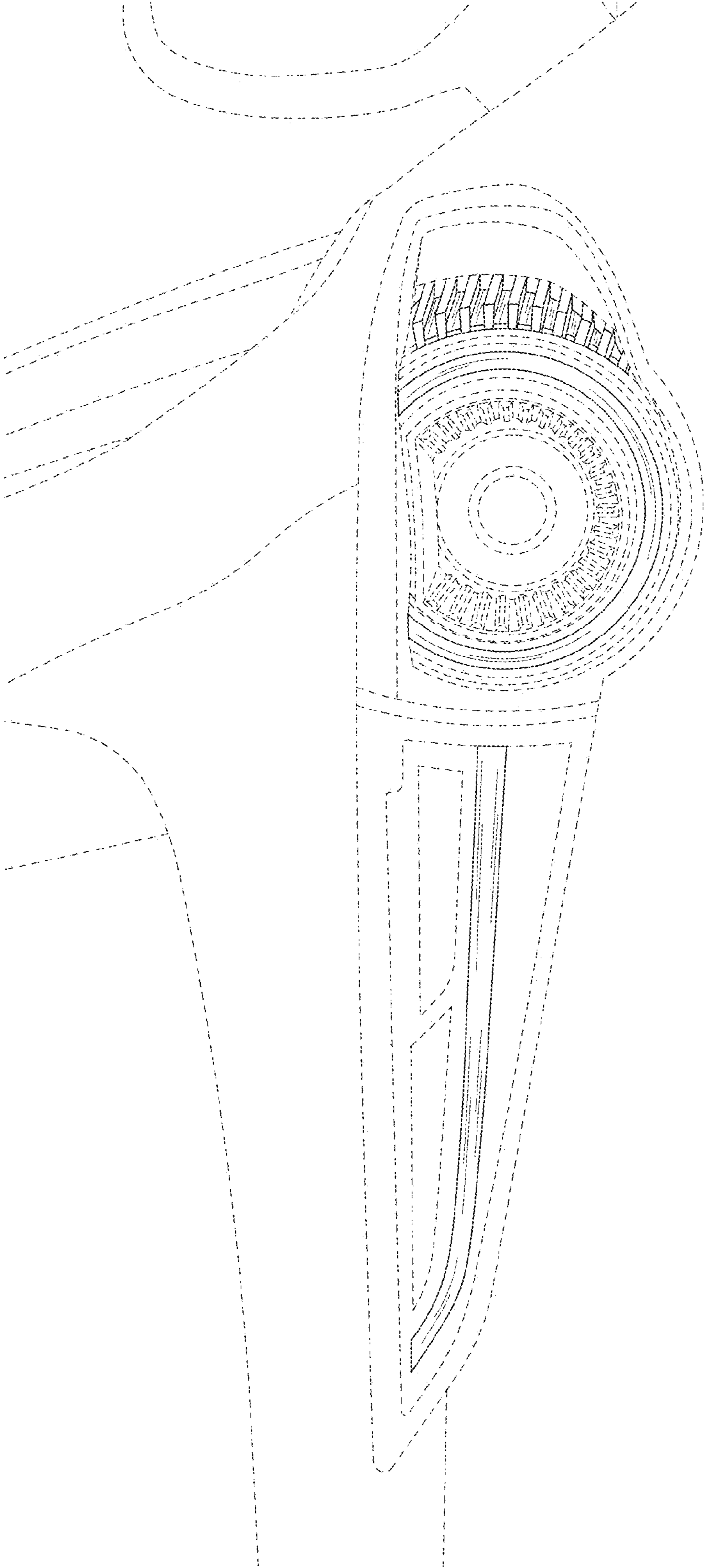


FIG.4

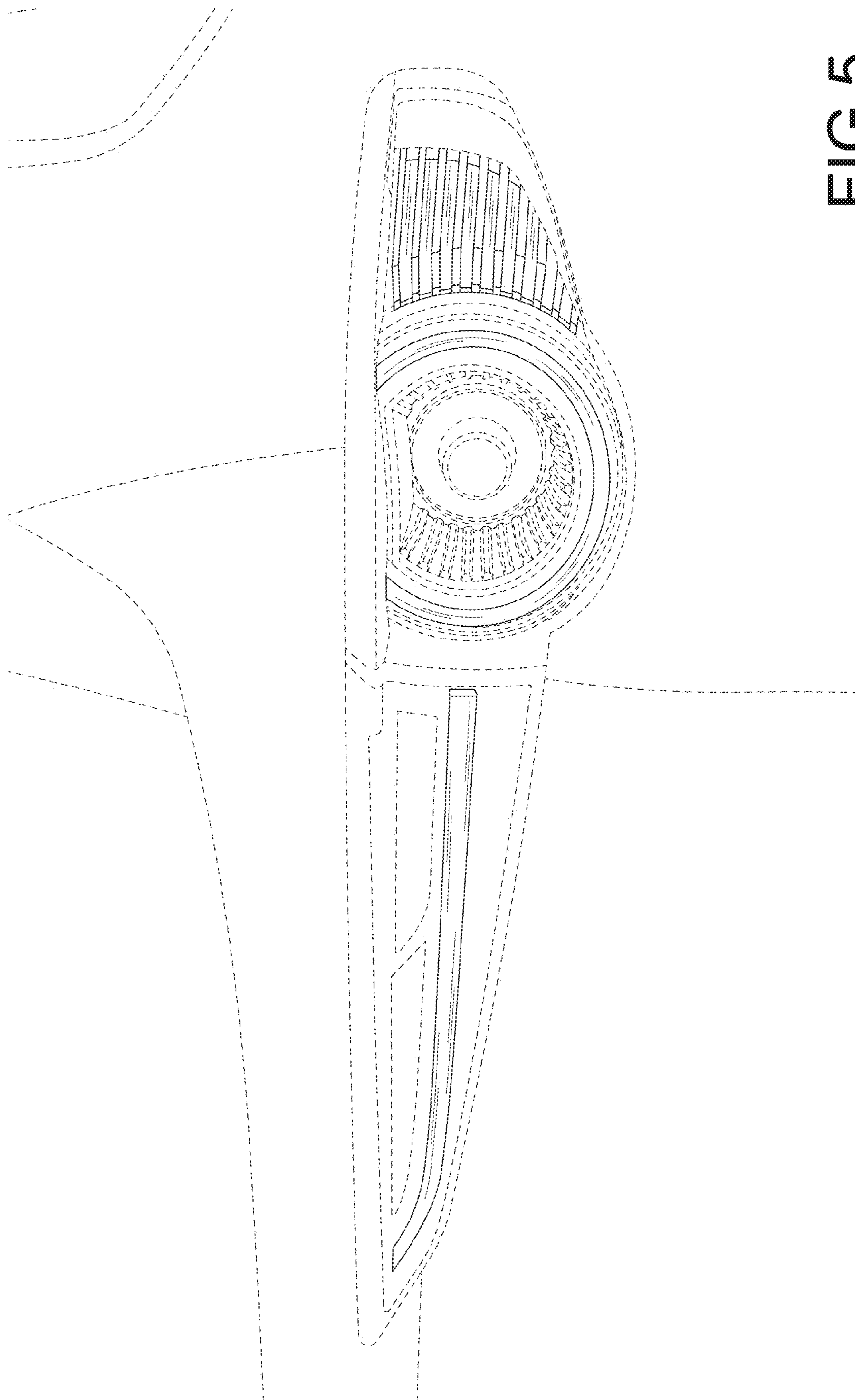


FIG. 5

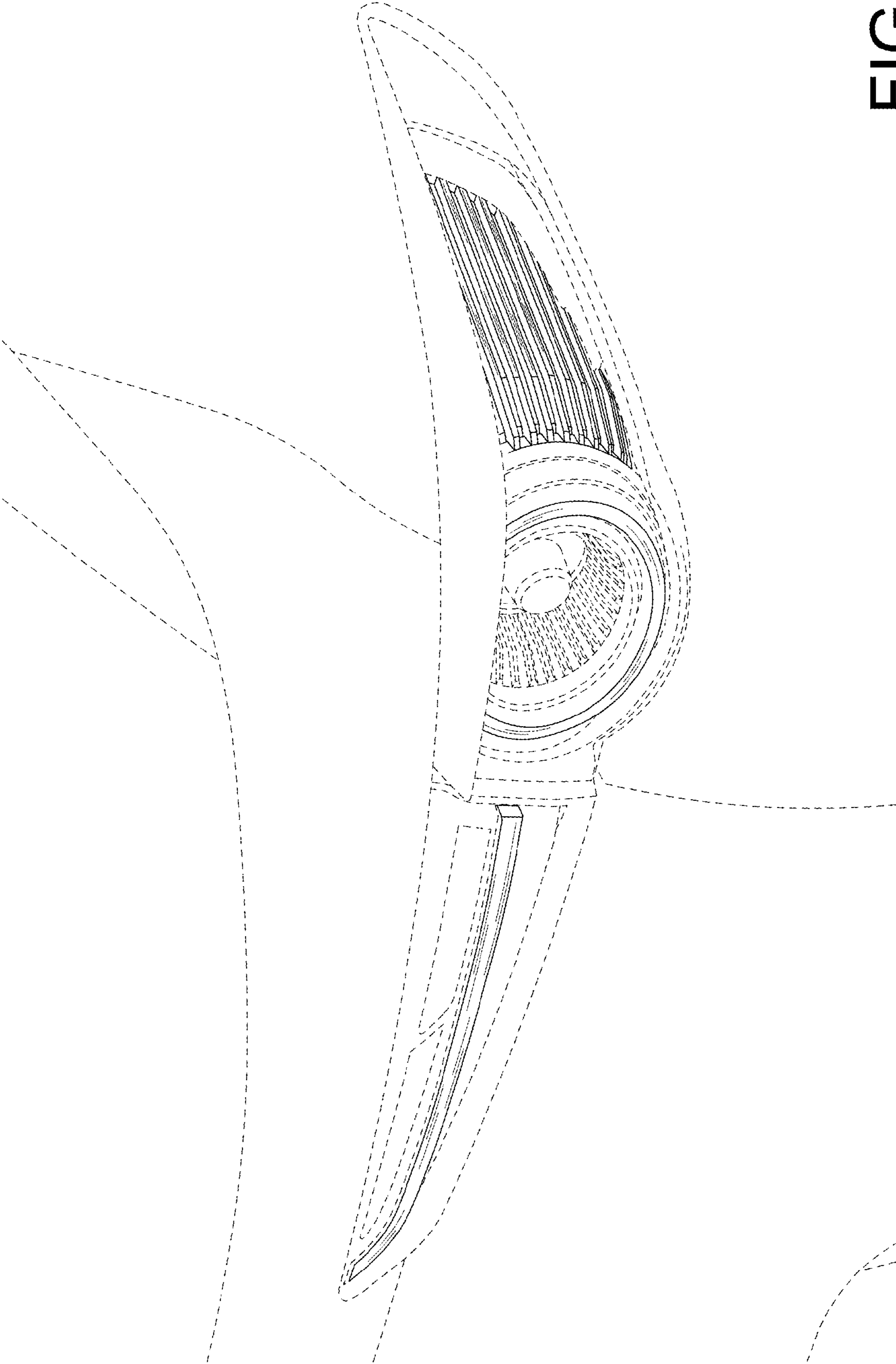


FIG.6