



US00D894442S

(12) **United States Design Patent**
Lin

(10) **Patent No.:** **US D894,442 S**

(45) **Date of Patent:** **** Aug. 25, 2020**

- (54) **AUTOMOBILE HEADLIGHT**
- (71) Applicant: **Chi-Chung Lin**, Hsinchu (TW)
- (72) Inventor: **Chi-Chung Lin**, Hsinchu (TW)
- (**) Term: **15 Years**
- (21) Appl. No.: **29/676,242**
- (22) Filed: **Jan. 9, 2019**
- (51) **LOC (12) Cl.** **26-06**
- (52) **U.S. Cl.**
USPC **D26/28**
- (58) **Field of Classification Search**
USPC D26/28, 29, 30, 31, 32, 33, 34, 35, 36;
362/459-468, 475-478, 485-487
CPC F21S 48/00; F21S 48/10; F21S 48/115;
F21S 48/225; F21S 48/1233; F21S
48/1266; F21S 48/1388; F21S 48/2268;
F21V 21/04
See application file for complete search history.

D819,848 S *	6/2018	Lin	D26/28
D819,849 S *	6/2018	Lin	D26/28
D836,224 S *	12/2018	Wu	D26/28
D838,019 S *	1/2019	Lin	D26/28
D838,020 S *	1/2019	Lin	D26/28
D842,501 S *	3/2019	Lin	D26/28
D854,202 S *	7/2019	Lin	D26/28
D855,848 S *	8/2019	Lai	D26/28
D865,241 S *	10/2019	Wu	D26/28
D865,244 S *	10/2019	Kim	D26/28

* cited by examiner

Primary Examiner — Angela J Lee

(74) *Attorney, Agent, or Firm* — Alexander Chen, Esq.

(57) **CLAIM**

The ornamental design for an automobile headlight, as shown and described.

DESCRIPTION

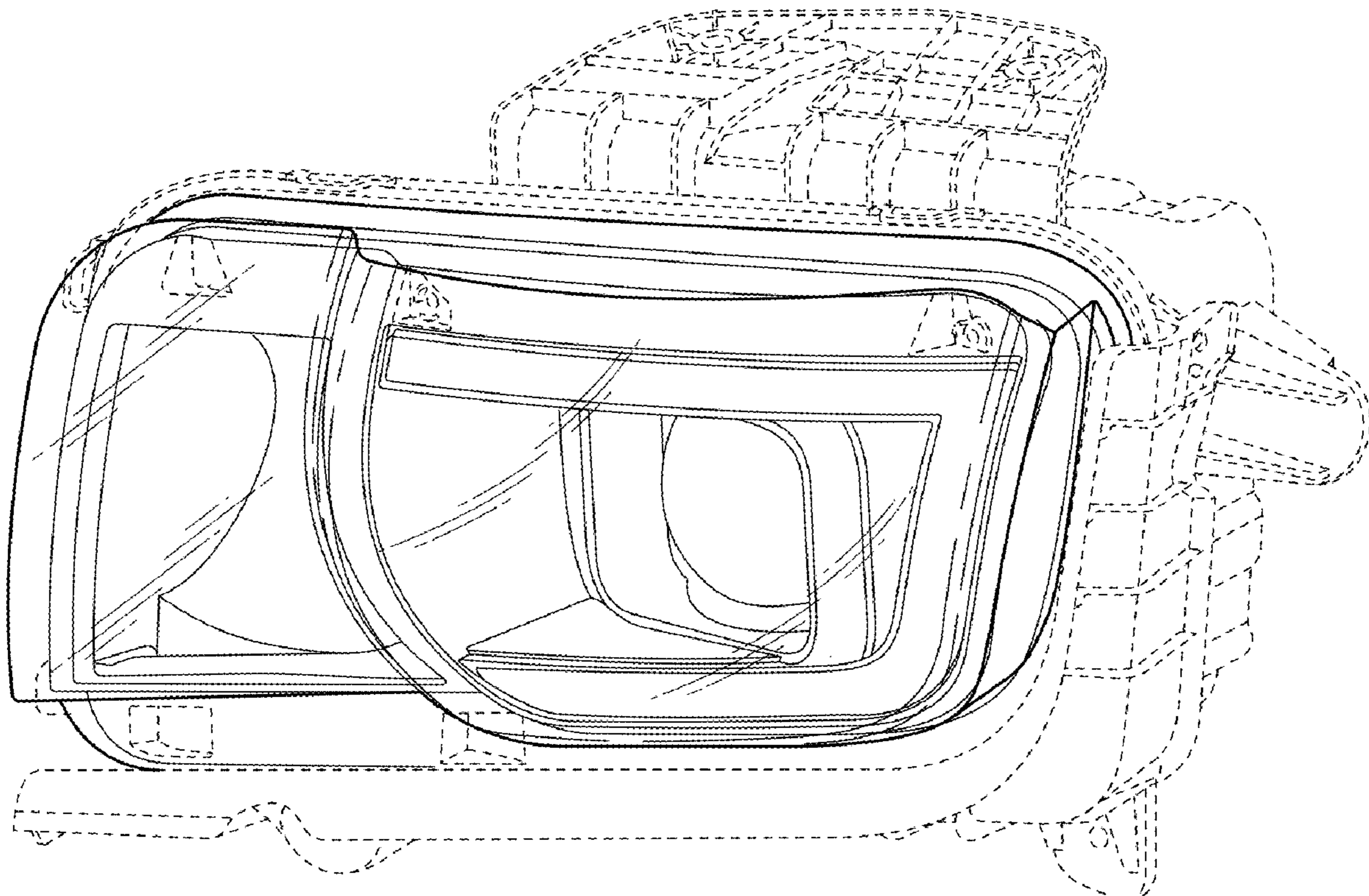
FIG. 1 is a perspective view of an automobile headlight; FIG. 2 is a front view thereof; and, FIG. 3 is a side view thereof.

The broken lines are included to show environmental structure and form no part of the claimed design. The drawings and descriptions represent the left side embodiment. The claim is also for a mirror image right side embodiment.

(56) **References Cited**
U.S. PATENT DOCUMENTS

D679,429 S *	4/2013	Frenzel	D26/28
D809,682 S *	2/2018	Lin	D26/28

1 Claim, 3 Drawing Sheets



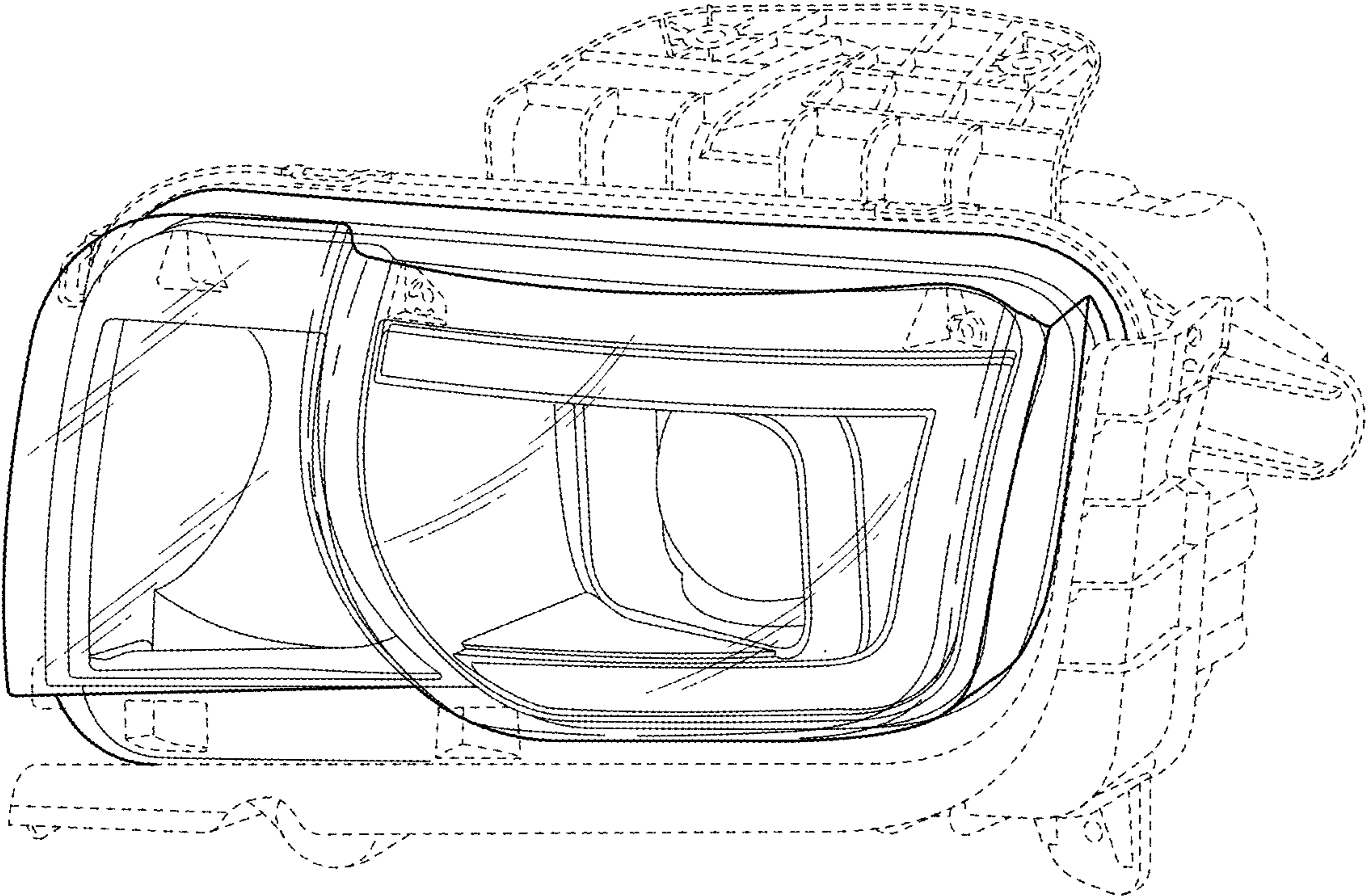


FIG. 1

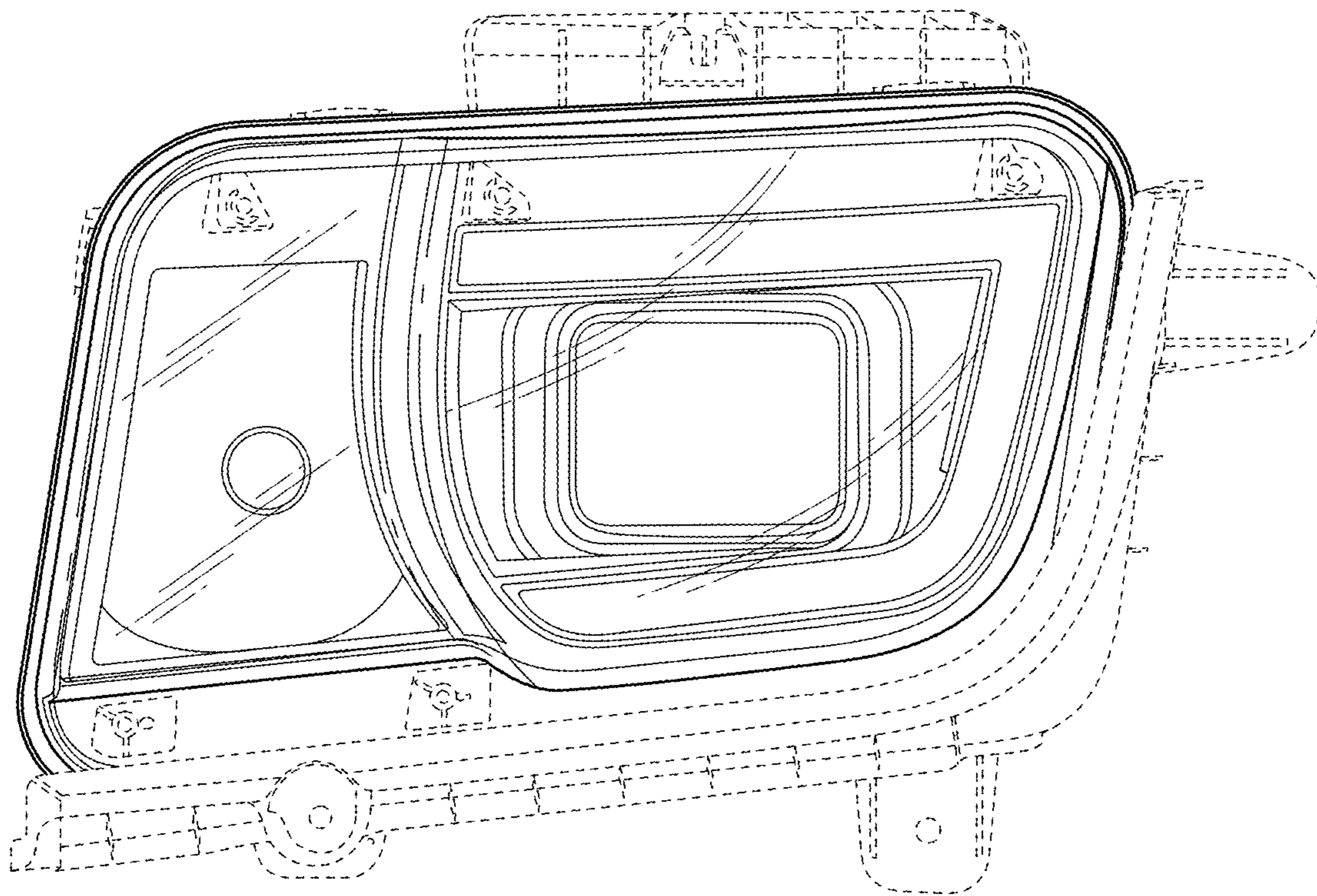


FIG. 2

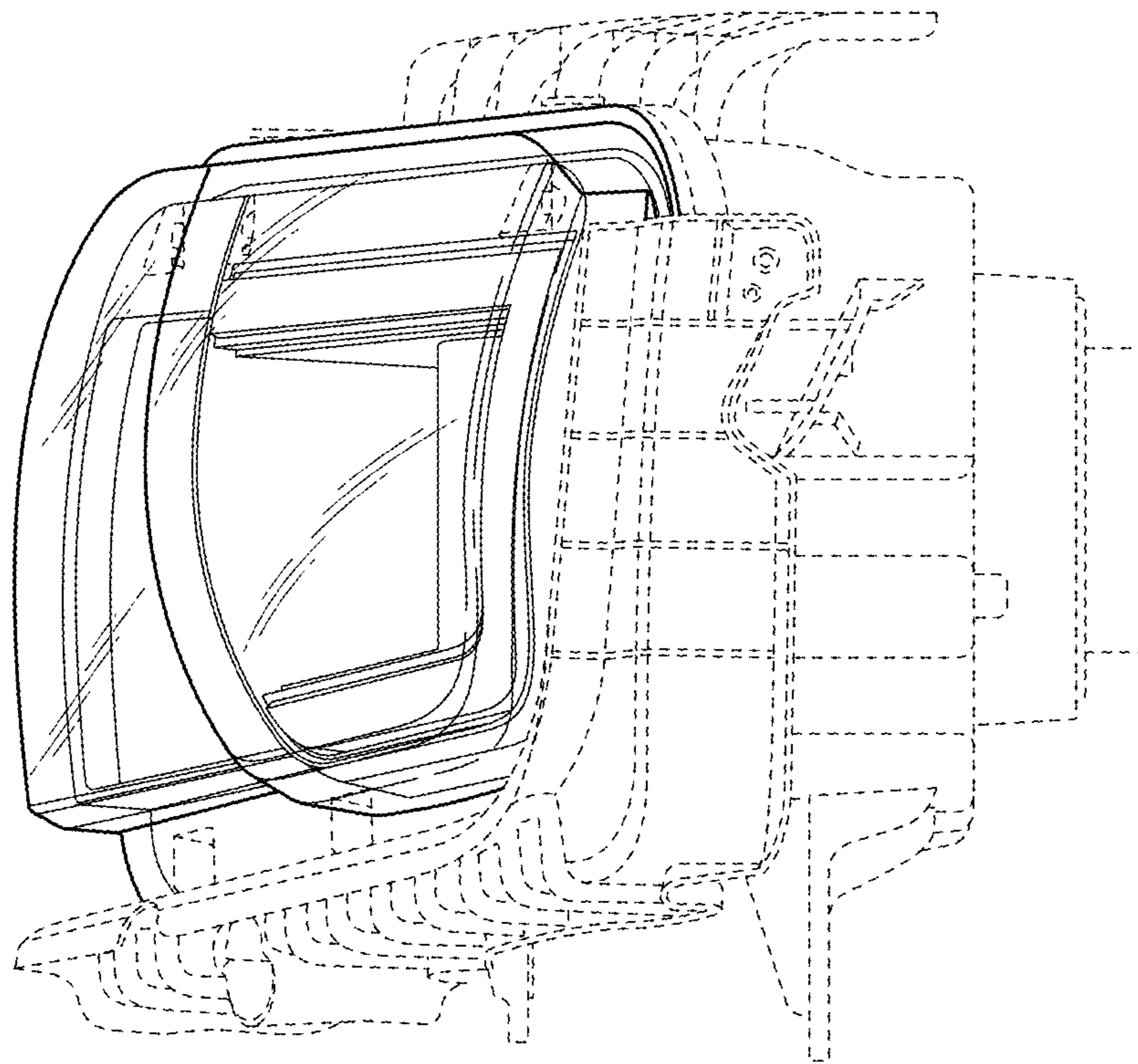


FIG. 3