



US00D894440S

(12) **United States Design Patent**  
**Koo et al.**

(10) **Patent No.:** **US D894,440 S**

(45) **Date of Patent:** **\*\* Aug. 25, 2020**

- (54) **VEHICLE REAR TAILLAMP**
- (71) Applicant: **GM GLOBAL TECHNOLOGY OPERATIONS LLC**, Detroit, MI (US)
- (72) Inventors: **Jawook Koo**, Rochester Hills, MI (US);  
**Brian Malczewski**, Royal Oak, MI (US)
- (73) Assignee: **GM GLOBAL TECHNOLOGY OPERATIONS LLC**, Detroit, MI (US)
- (\*\*) Term: **15 Years**
- (21) Appl. No.: **29/675,273**
- (22) Filed: **Dec. 30, 2018**

**Related U.S. Application Data**

- (62) Division of application No. 29/606,255, filed on Jun. 2, 2017.
- (51) **LOC (12) Cl.** ..... **26-06**
- (52) **U.S. Cl.**  
USPC ..... **D26/28**
- (58) **Field of Classification Search**  
USPC ..... D12/86, 90-92, 114, 163, 169, 171-173,  
D12/181, 190, 196, 197, 199, 400;  
D26/28-36  
CPC ... B62J 6/02; B62J 6/00; B60Q 3/0279; F21S  
48/00; F21S 48/10; F21S 48/115; F21S  
48/225; F21S 48/1233; F21S 48/1266;  
F21S 48/1388; F21S 48/2268; F21V  
21/04  
See application file for complete search history.

(56) **References Cited**

**U.S. PATENT DOCUMENTS**

- D686,774 S \* 7/2013 McCabe ..... D26/139
- D688,824 S \* 8/2013 Binder ..... D26/28

- D697,257 S \* 1/2014 Conway ..... D26/139
- D697,258 S \* 1/2014 Conway ..... D26/139
- D710,522 S \* 8/2014 Kwon ..... D26/28
- D715,978 S \* 10/2014 Loeb ..... D26/28
- D721,840 S \* 1/2015 Futschik ..... D26/28
- D728,134 S \* 4/2015 Bieling ..... D26/28
- D812,791 S \* 3/2018 Wu ..... D26/28
- D813,731 S 3/2018 McMahan
- D813,732 S 3/2018 Whitla et al.
- D813,733 S 3/2018 Lee
- D813,734 S 3/2018 Nakamura
- D813,740 S 3/2018 Park
- D813,741 S 3/2018 Perkins
- D813,742 S 3/2018 McMahan et al.
- D813,743 S 3/2018 Lee
- D813,744 S 3/2018 Whitla et al.
- D813,748 S 3/2018 Kim
- D813,753 S 3/2018 Loeb
- D813,754 S 3/2018 Loeb
- D813,755 S 3/2018 Loeb
- D813,756 S 3/2018 Loeb
- D813,757 S 3/2018 Kozub
- D813,758 S 3/2018 Gonzales
- D813,759 S 3/2018 Perkins
- D814,075 S \* 3/2018 Ishii ..... D26/28

(Continued)

*Primary Examiner* — Philip S Hyder  
*Assistant Examiner* — Cary M Robinson

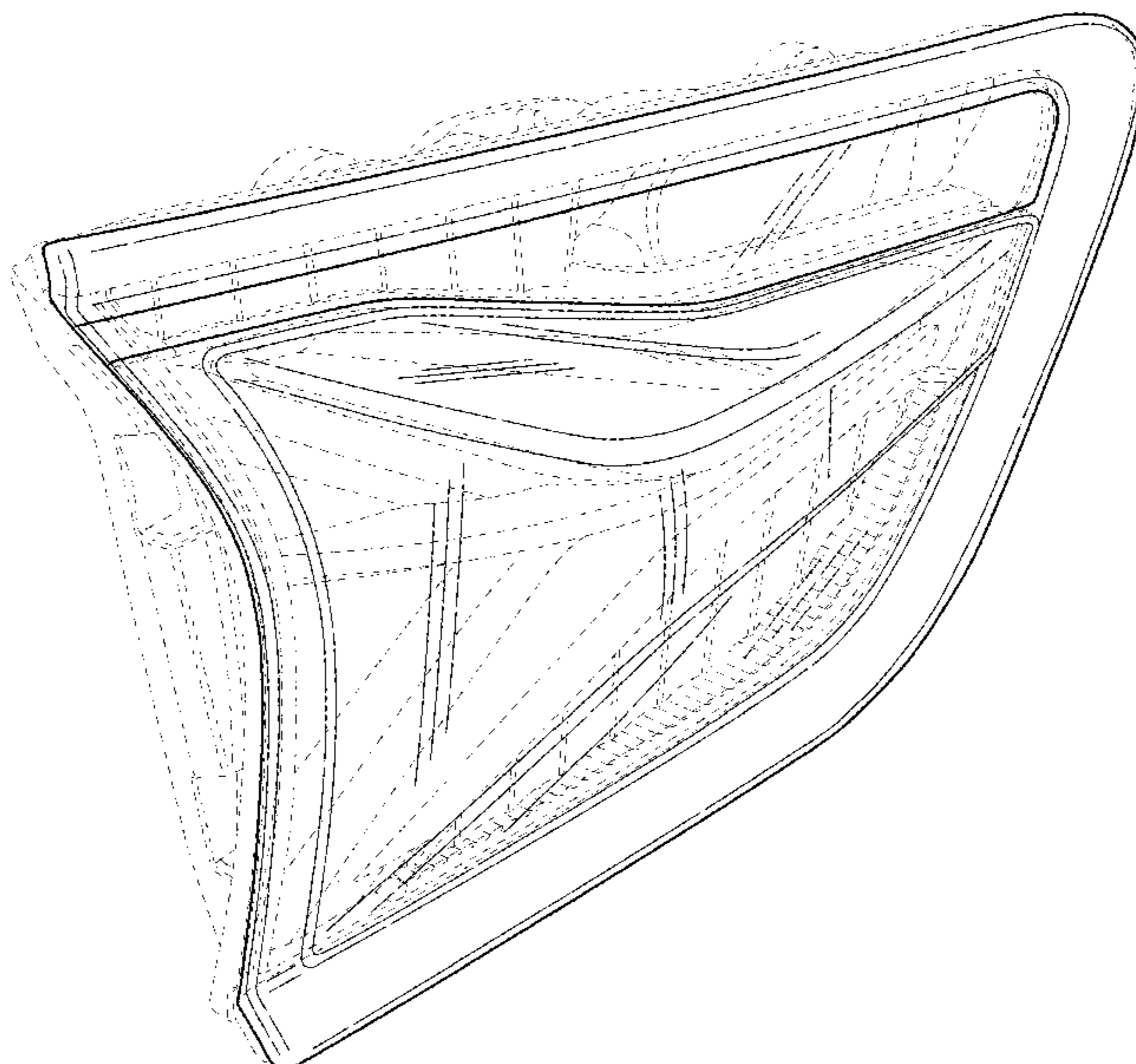
(57) **CLAIM**

The ornamental design for a vehicle rear taillamp, as shown and described.

**DESCRIPTION**

FIG. 1 is a perspective view of a vehicle rear taillamp, showing our new design;  
FIG. 2 is a front view thereof;  
FIG. 3 is a side view thereof; and,  
FIG. 4 is a top view thereof.  
The broken lines in the drawings illustrate portions of the vehicle rear taillamp that form no part of the claimed design.

**1 Claim, 4 Drawing Sheets**



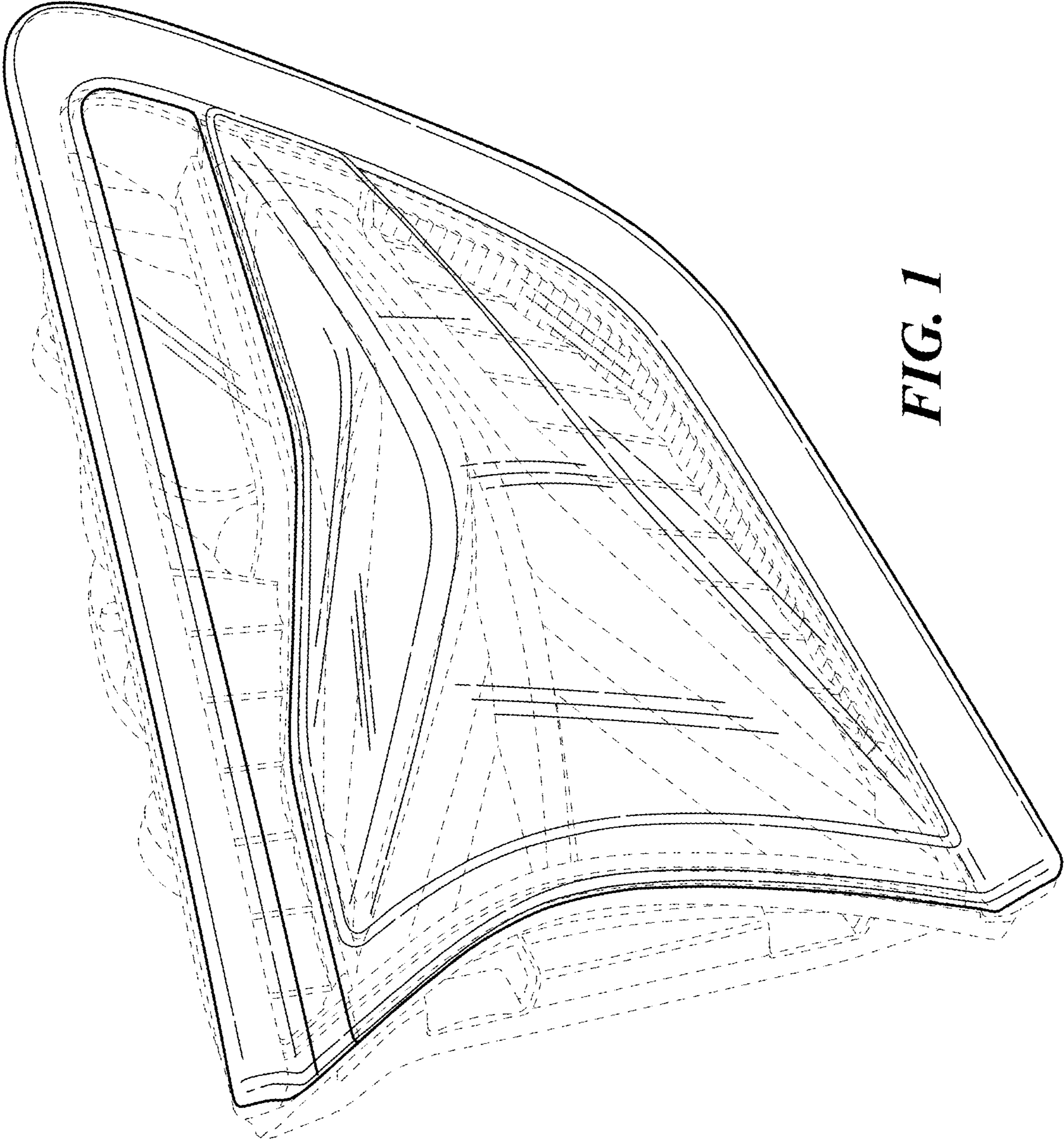
(56)

References Cited

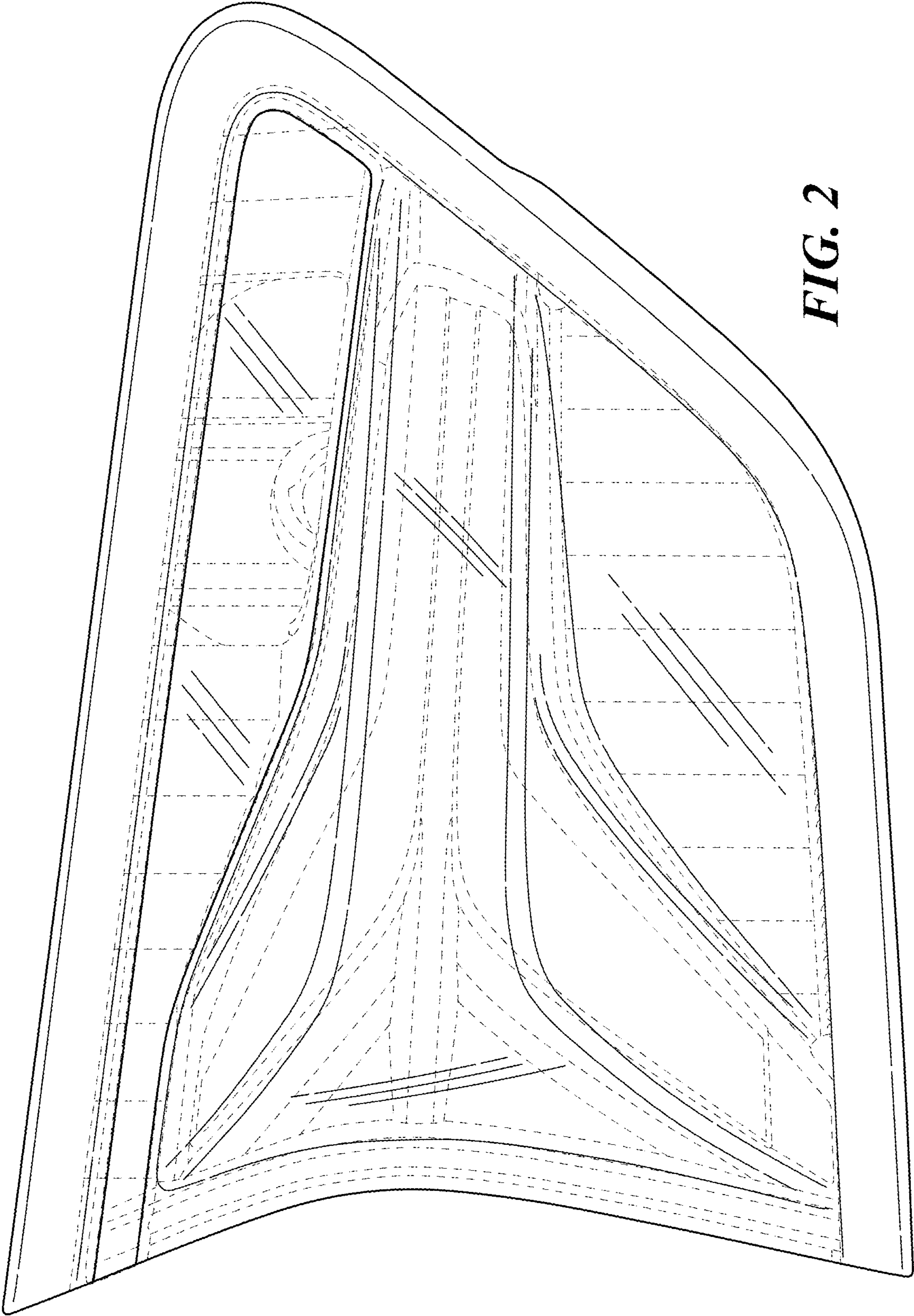
U.S. PATENT DOCUMENTS

D814,369 S	4/2018	Loeb	D822,551 S	7/2018	McMahan et al.
D814,982 S	4/2018	Whitla et al.	D823,188 S	7/2018	Loeb
D814,983 S	4/2018	Whitla et al.	D823,738 S	7/2018	Kim
D815,570 S	4/2018	McMahan et al.	D823,741 S	7/2018	Kim
D815,572 S	4/2018	Perkins	D823,762 S	7/2018	Loeb
D815,573 S	4/2018	Whitla et al.	D823,763 S	7/2018	Koo et al.
D815,574 S	4/2018	Mainville	D824,811 S	8/2018	Mainville
D815,985 S	4/2018	Mueller	D824,812 S	8/2018	Loeb
D815,993 S	4/2018	Kozub et al.	D824,824 S	8/2018	Kim
D815,994 S	4/2018	Nakamura	D824,825 S	8/2018	Loeb
D816,003 S	4/2018	Perkins	D825,083 S	8/2018	Perkins
D816,558 S	5/2018	McMahan et al.	D825,388 S	8/2018	Karras et al.
D816,559 S	5/2018	McMahan et al.	D825,403 S	8/2018	Whitla et al.
D816,561 S	5/2018	McMahan	D826,114 S	8/2018	Smith et al.
D816,562 S	5/2018	Whitla et al.	D826,435 S	8/2018	Kim
D816,563 S	5/2018	McMahan et al.	D826,803 S	8/2018	Smith et al.
D816,564 S	5/2018	Kim	D827,506 S	9/2018	McMahan et al.
D816,565 S	5/2018	Kim	D827,508 S	9/2018	Whitla et al.
D816,566 S	5/2018	Loeb	D827,510 S	9/2018	Kim
D817,836 S	5/2018	McMahan et al.	D827,527 S	9/2018	Loeb
D818,156 S	5/2018	Kim et al.	D828,246 S	9/2018	Loeb
D818,157 S	5/2018	Zipfel et al.	D828,261 S	9/2018	Moffett et al.
D818,158 S	5/2018	Zipfel et al.	D828,935 S	9/2018	Hochmuth
D818,159 S	5/2018	Zipfel et al.	D829,622 S	10/2018	Jacob
D818,160 S	5/2018	Perkins	D830,241 S	10/2018	Kozub
D818,406 S	5/2018	McMahan et al.	D830,242 S	10/2018	Zipfel
D818,876 S	5/2018	Whitla et al.	D830,252 S	10/2018	Swaneger
D818,877 S	5/2018	Nakamura et al.	D830,258 S	10/2018	McMahan et al.
D818,878 S	5/2018	McMahan et al.	D830,261 S	10/2018	Jacob
D818,892 S	5/2018	Lee	D830,589 S	10/2018	Henriques
D818,893 S	5/2018	Kim	D832,752 S	11/2018	Lee
D818,903 S	5/2018	Zipfel et al.	D835,003 S	12/2018	Thompson et al.
D818,906 S	5/2018	McMahan	D835,012 S	12/2018	Smith et al.
D818,907 S	5/2018	Whitla et al.	D838,016 S *	1/2019	McMahan ..... D26/28
D818,915 S	5/2018	Kozub et al.	D841,198 S *	2/2019	Yamashita ..... D26/28
D818,922 S	5/2018	Whitla et al.	D841,843 S *	2/2019	Park ..... D26/28
D819,505 S	6/2018	McMahan et al.	D841,845 S *	2/2019	Park ..... D26/28
D819,519 S	6/2018	Whitla et al.	D843,023 S *	3/2019	Whitla ..... D26/28
D819,854 S *	6/2018	Lai ..... D26/28	D843,024 S *	3/2019	Hochmuth ..... D26/28
D821,617 S	6/2018	Perkins	D843,025 S *	3/2019	Smith ..... D26/28
D821,619 S *	6/2018	Amemiya ..... D26/28	D843,614 S *	3/2019	Whitla ..... D26/28
D822,550 S	7/2018	Wassell et al.	D843,616 S *	3/2019	Smith ..... D26/28
			D843,617 S *	3/2019	Smith ..... D26/28

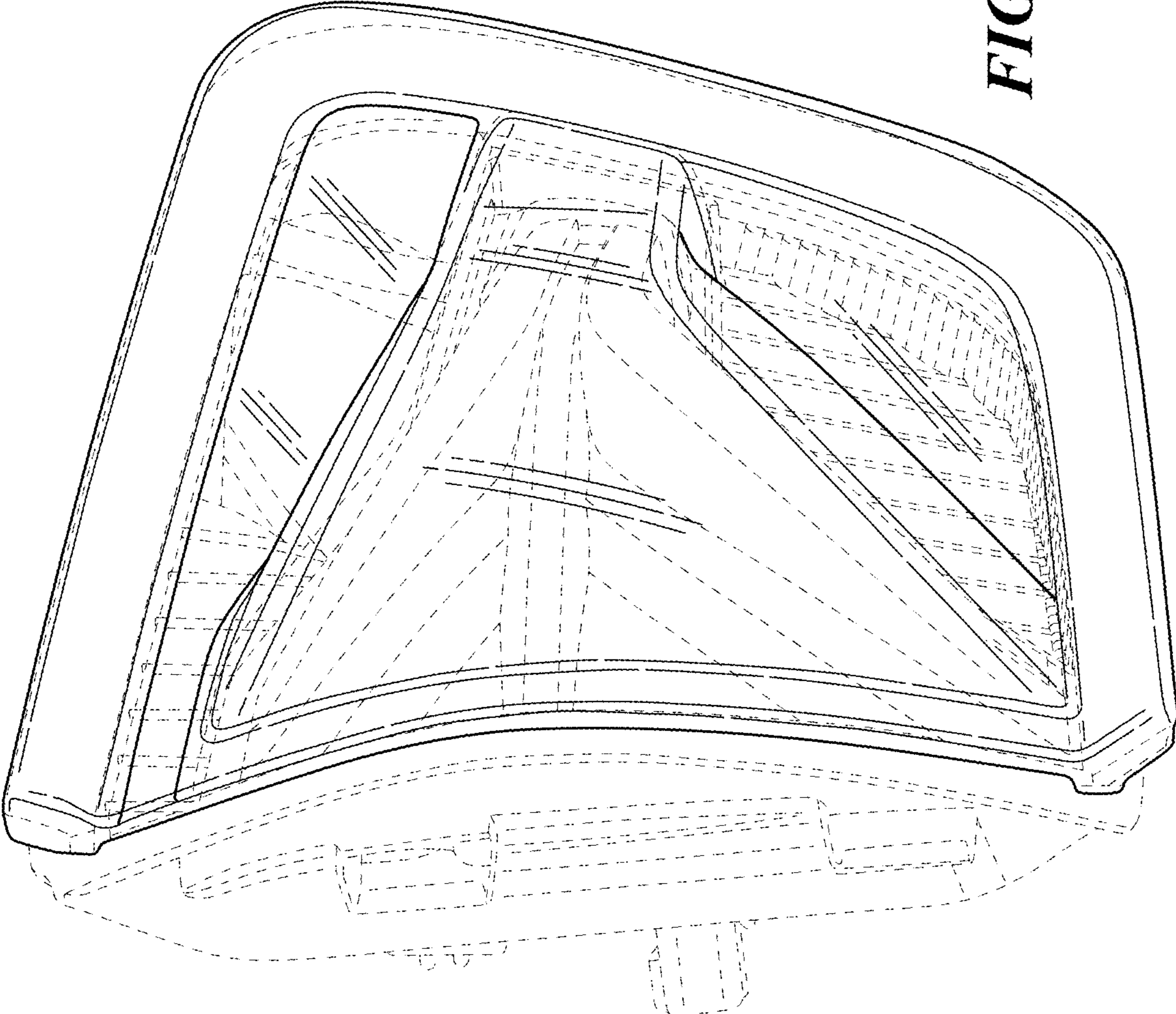
\* cited by examiner



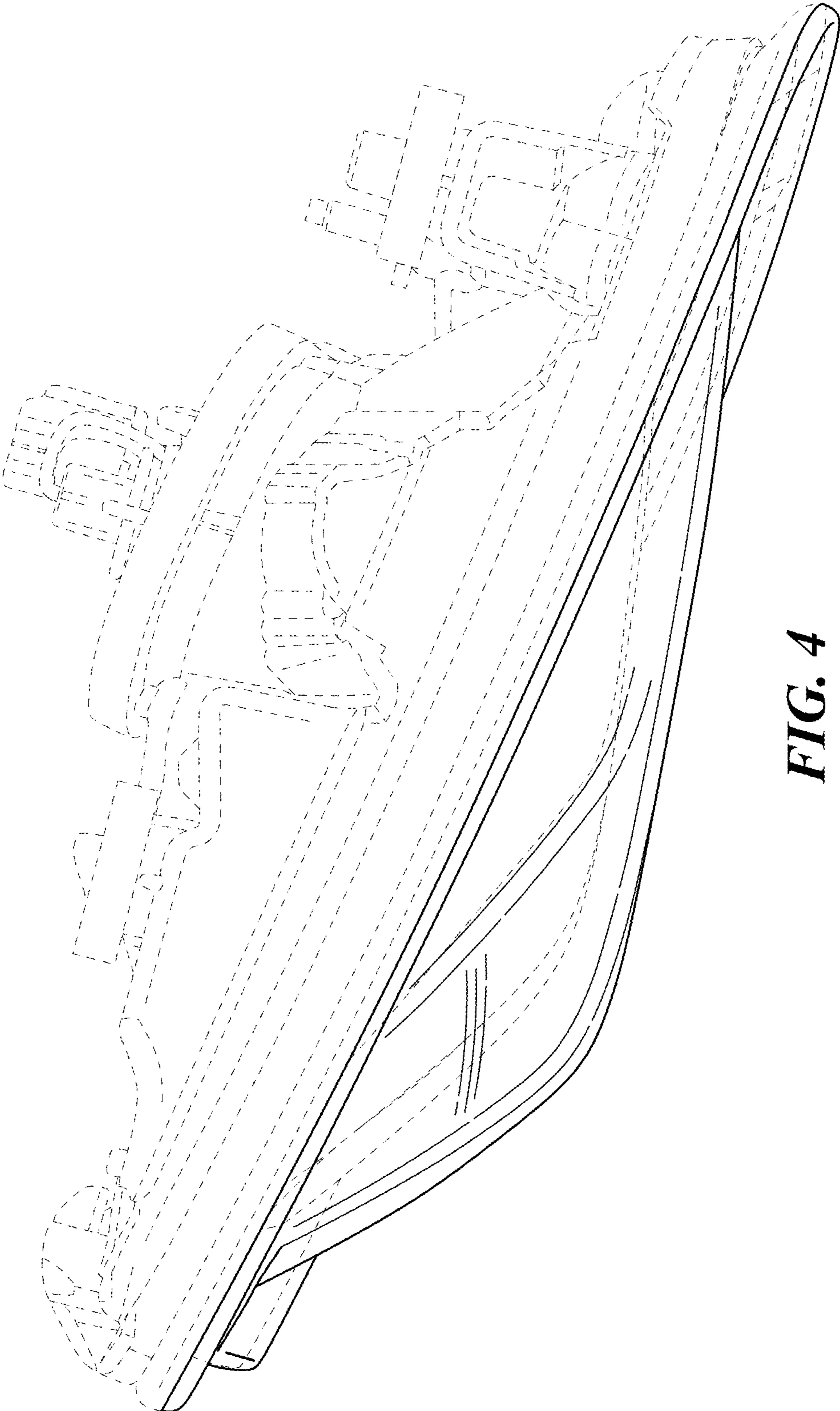
**FIG. 1**



**FIG. 2**



**FIG. 3**



**FIG. 4**