



US00D894437S

(12) **United States Design Patent**
Wu

(10) **Patent No.:** **US D894,437 S**

(45) **Date of Patent:** **** Aug. 25, 2020**

(54) **LED HEADLIGHT**

(71) Applicant: **TAIWAN BULL MOTOR PARTS CO., LTD.**, Taoyuan (TW)

(72) Inventor: **Chung Lee Wu**, Taoyuan (TW)

(73) Assignee: **TAIWAN BULL MOTOR PARTS CO., LTD.**, Taoyuan (TW)

(**) Term: **15 Years**

(21) Appl. No.: **29/648,858**

(22) Filed: **May 24, 2018**

(51) **LOC (12) Cl.** **26-06**

(52) **U.S. Cl.**
USPC **D26/28**

(58) **Field of Classification Search**
USPC D12/86, 90-92, 114, 163, 169, 171-173,
D12/181, 190, 196, 197, 199, 400;
D26/28-36
CPC ... B62J 6/02; B62J 6/00; B60Q 3/0279; F21S
48/00; F21S 48/10; F21S 48/115; F21S
48/225; F21S 48/1233; F21S 48/1266;
F21S 48/1388; F21S 48/2268; F21V
21/04

See application file for complete search history.

(56) **References Cited**

U.S. PATENT DOCUMENTS

D506,842 S *	6/2005	Nagura	D26/28
D524,466 S *	7/2006	Essig	D26/28
D529,208 S *	9/2006	Ikeda	D26/28
D538,954 S *	3/2007	Pfeiffer	D26/28
D542,442 S *	5/2007	Matsunami	D26/28
D552,768 S *	10/2007	Leclercq	D26/28
D759,275 S *	6/2016	Hwang	D26/28

D787,718 S *	5/2017	Lai	D26/28
D803,431 S *	11/2017	Choi	D26/28
D824,054 S *	7/2018	Lin	D26/28
D864,443 S *	10/2019	Lin	D26/28
D868,316 S *	11/2019	Lin	D26/28
D868,324 S *	11/2019	Kim	D26/28
D870,932 S *	12/2019	Lin	D26/28
D870,937 S *	12/2019	Wu	D26/28

* cited by examiner

Primary Examiner — Philip S Hyder

Assistant Examiner — Cary M Robinson

(74) *Attorney, Agent, or Firm* — Muncy, Geissler, Olds & Lowe, P.C.

(57) **CLAIM**

The ornamental design for an LED headlight, as shown and described.

DESCRIPTION

FIG. 1 is a perspective view of a driver side LED headlight, showing our new design;

FIG. 2 is a front view of driver side LED headlight, the passenger side being a mirror image thereof; and

FIG. 3 is a side view of driver side LED headlight, the passenger side being a mirror image thereof;

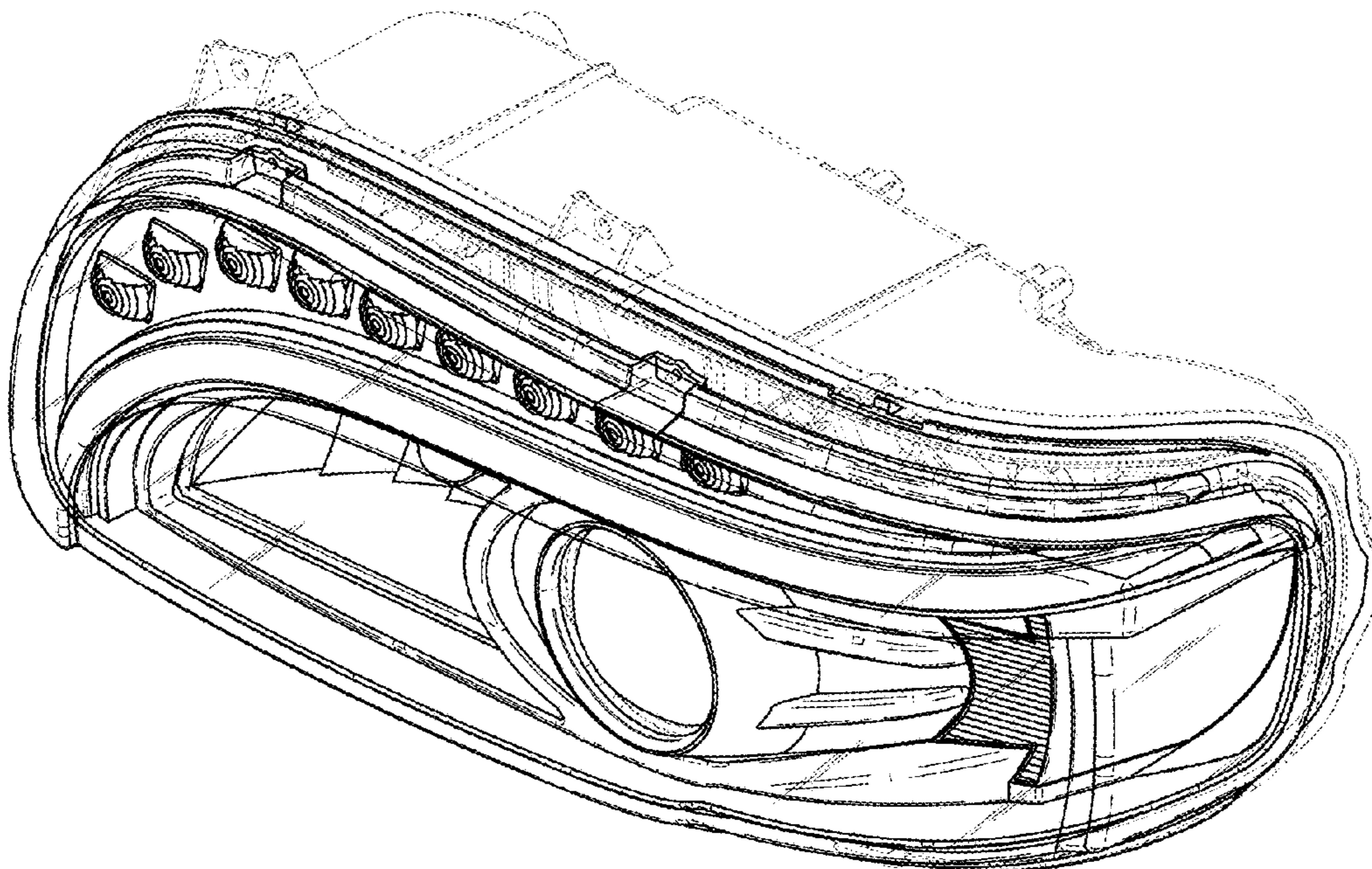
FIG. 4 is a side view of driver side LED headlight, thereof, opposite that shown in FIG. 4;

FIG. 5 is a top plan view of driver side LED headlight, the passenger side being a mirror image thereof; and,

FIG. 6 is a bottom plan view of driver side LED headlight, the passenger side being a mirror image thereof.

Portions of the drawings shown in broken lines are for illustrative purposes only and form no part of the claimed design. The surface shading lines illustrate contour only and form no part of the present design.

1 Claim, 6 Drawing Sheets



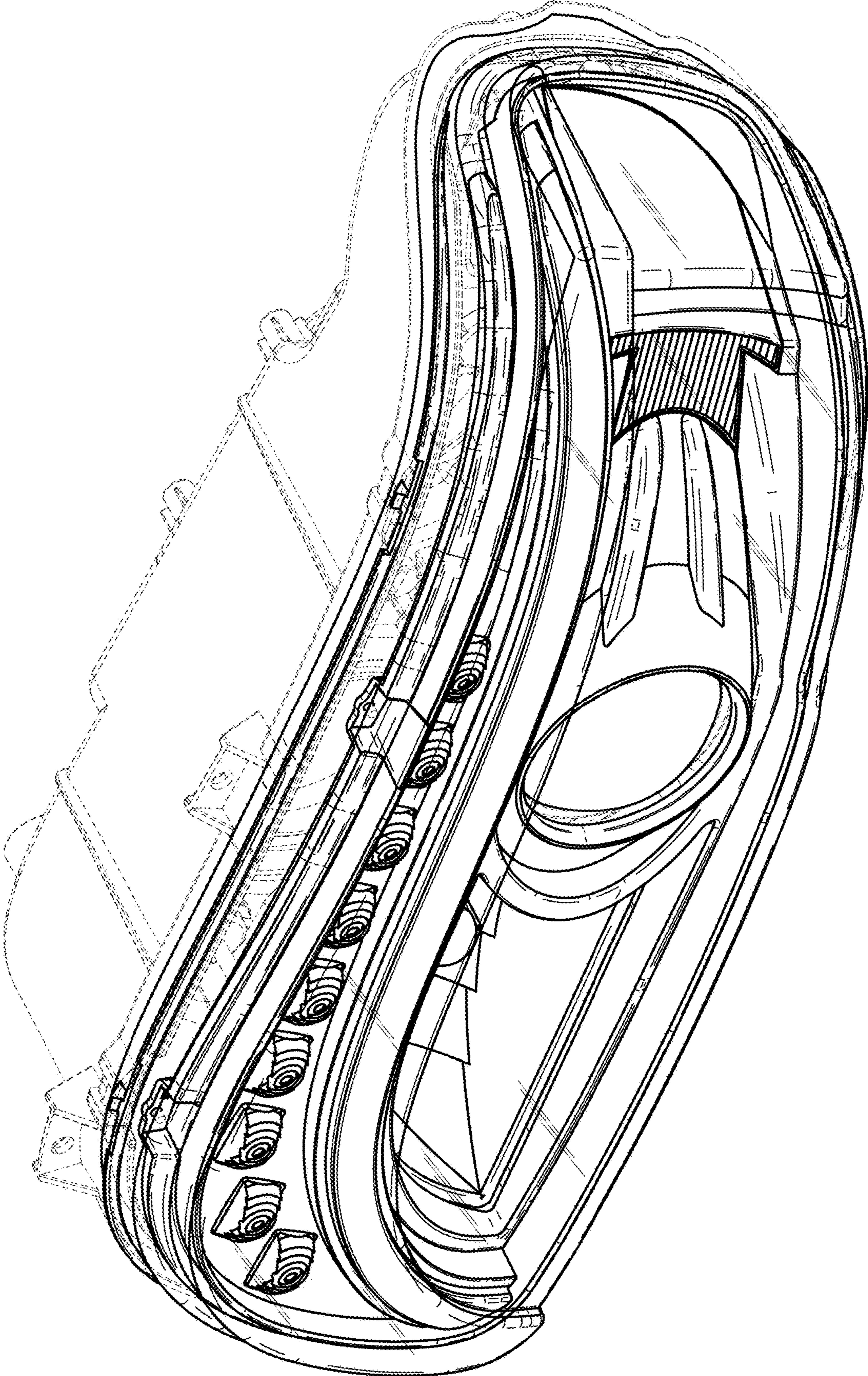


Fig.1

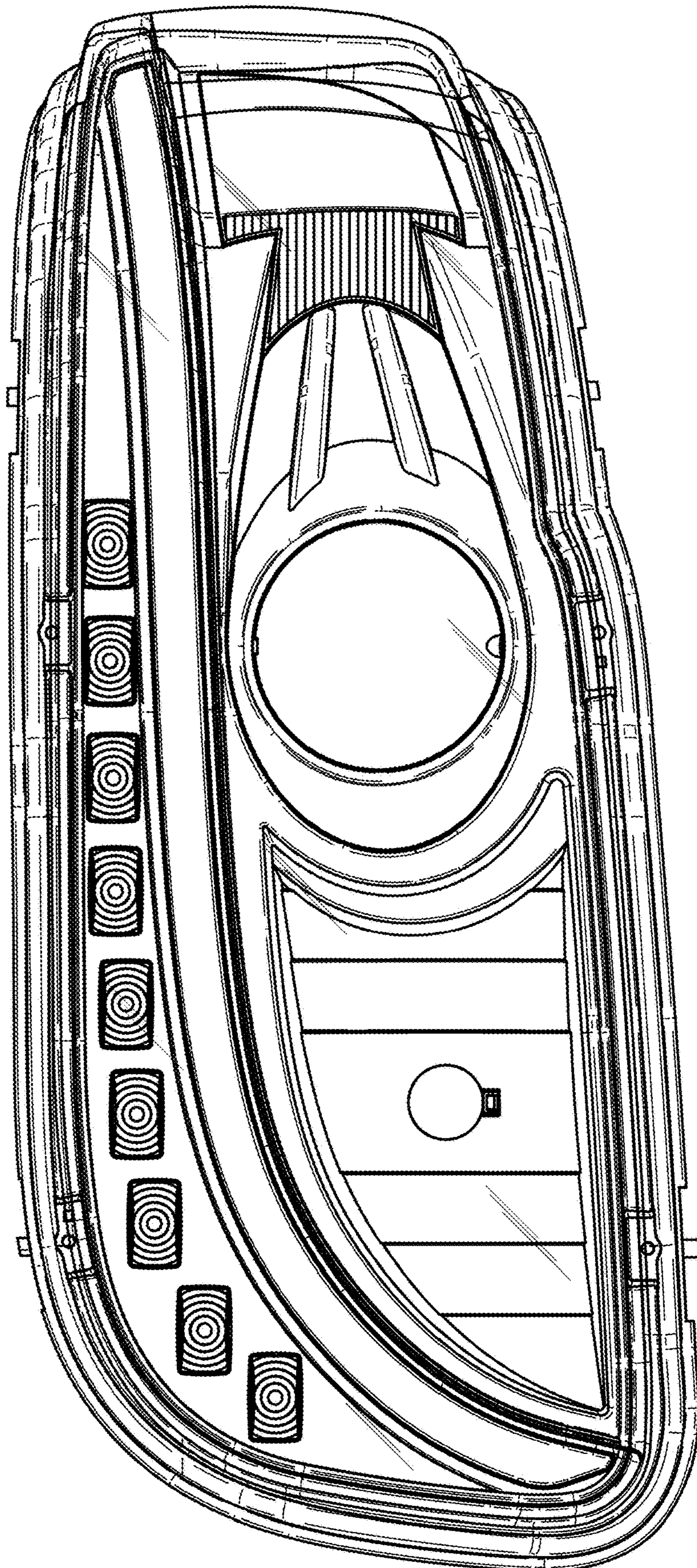


Fig.2

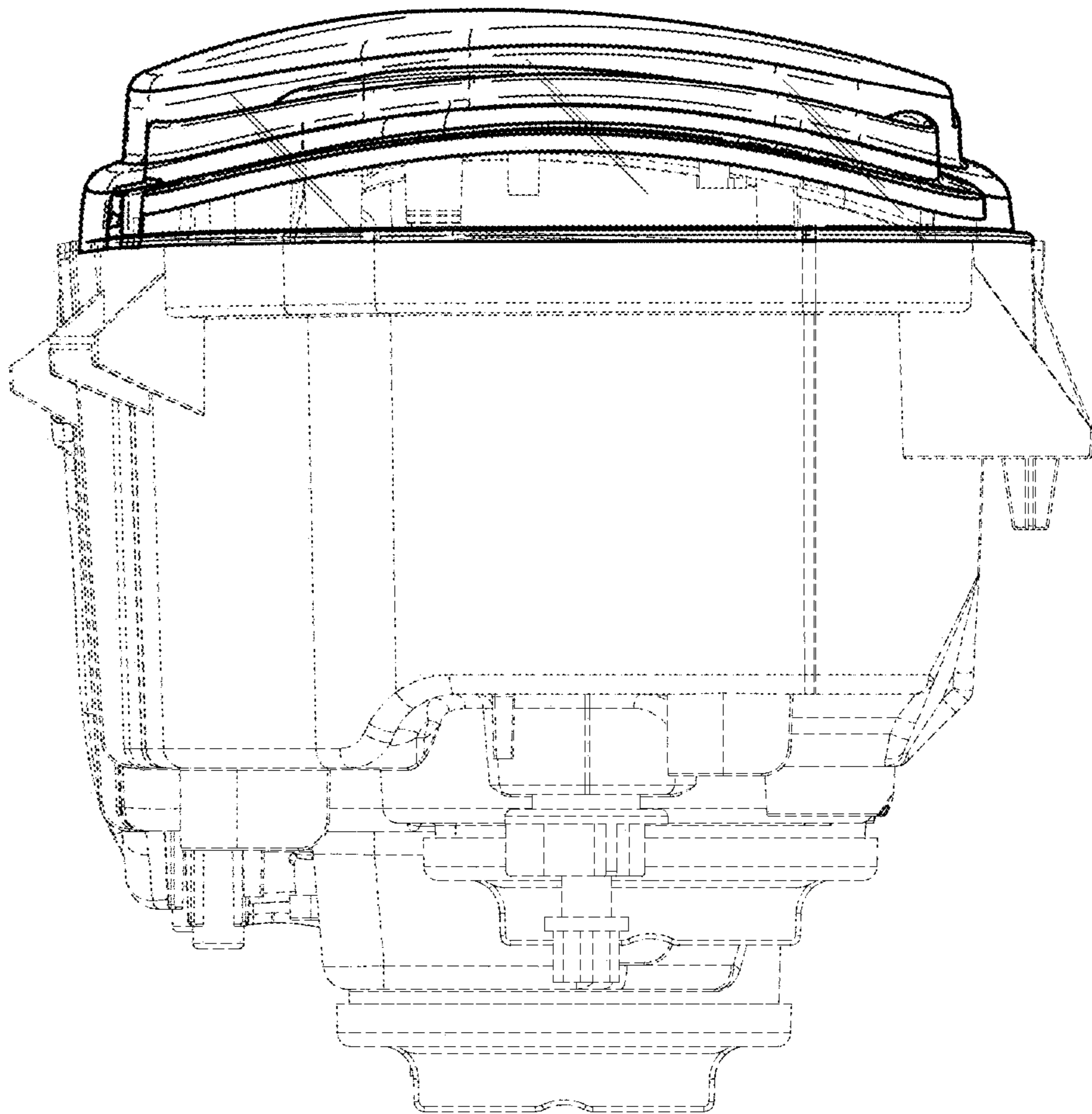


Fig.3

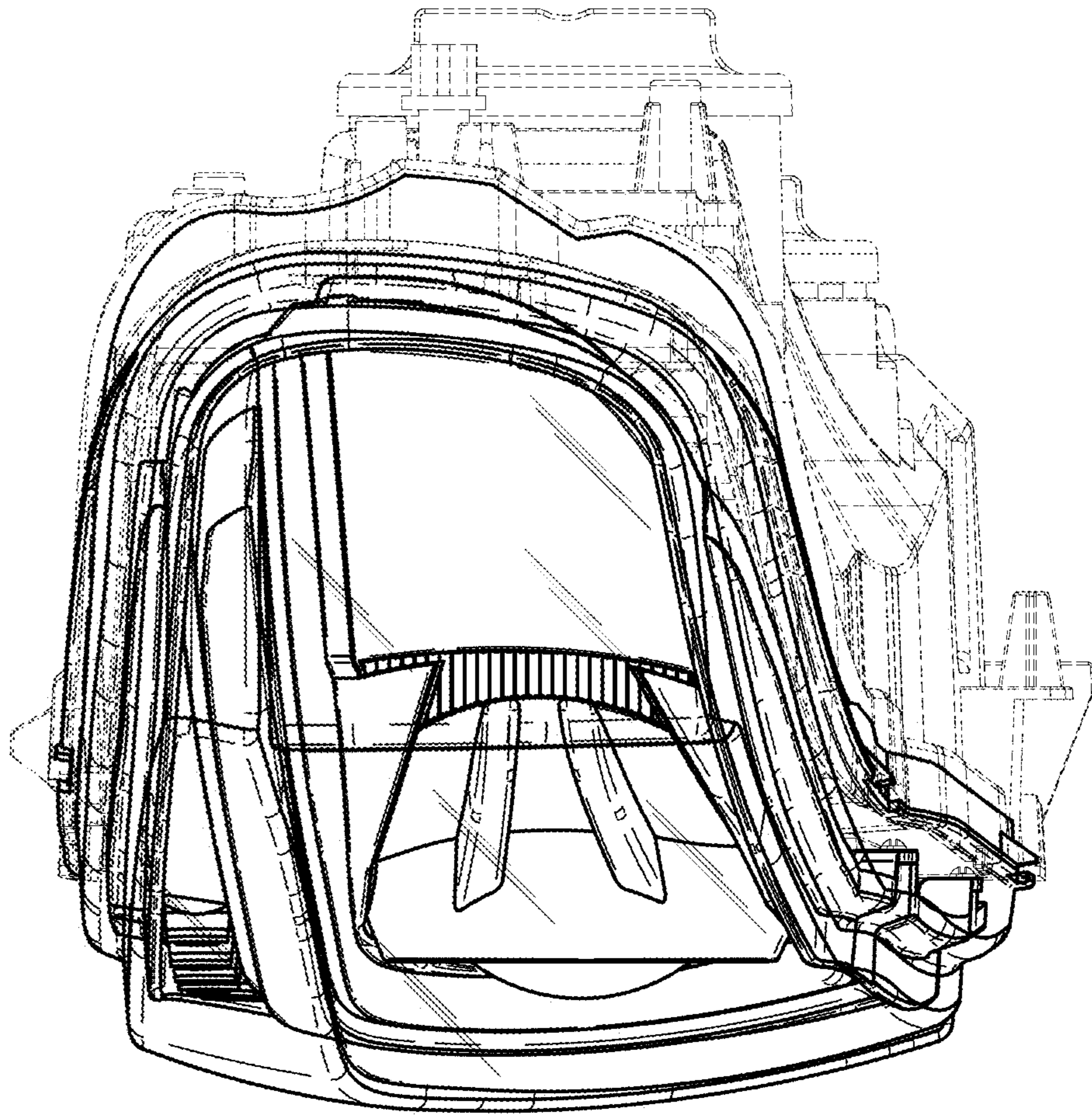


Fig.4

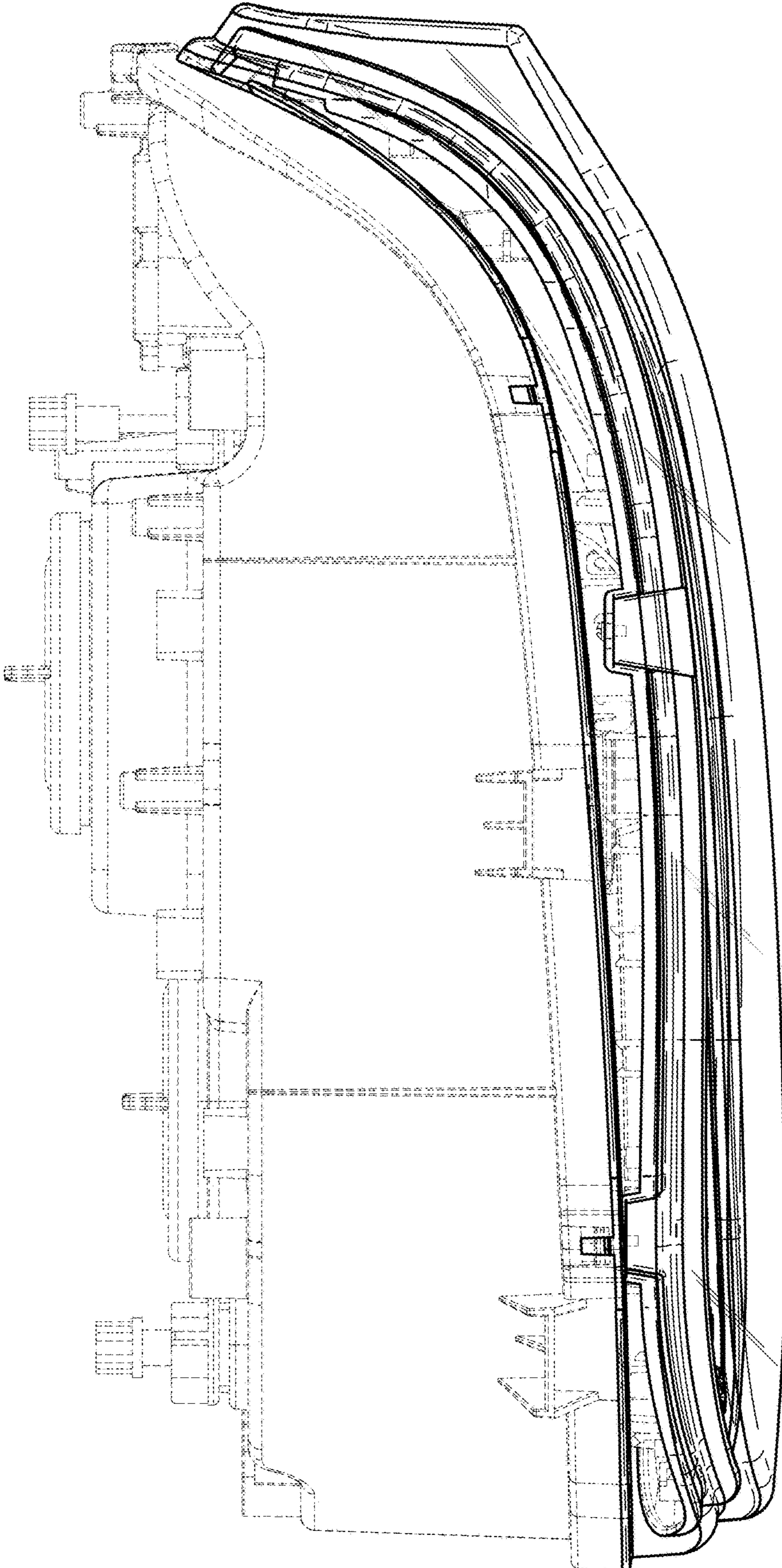


Fig.5

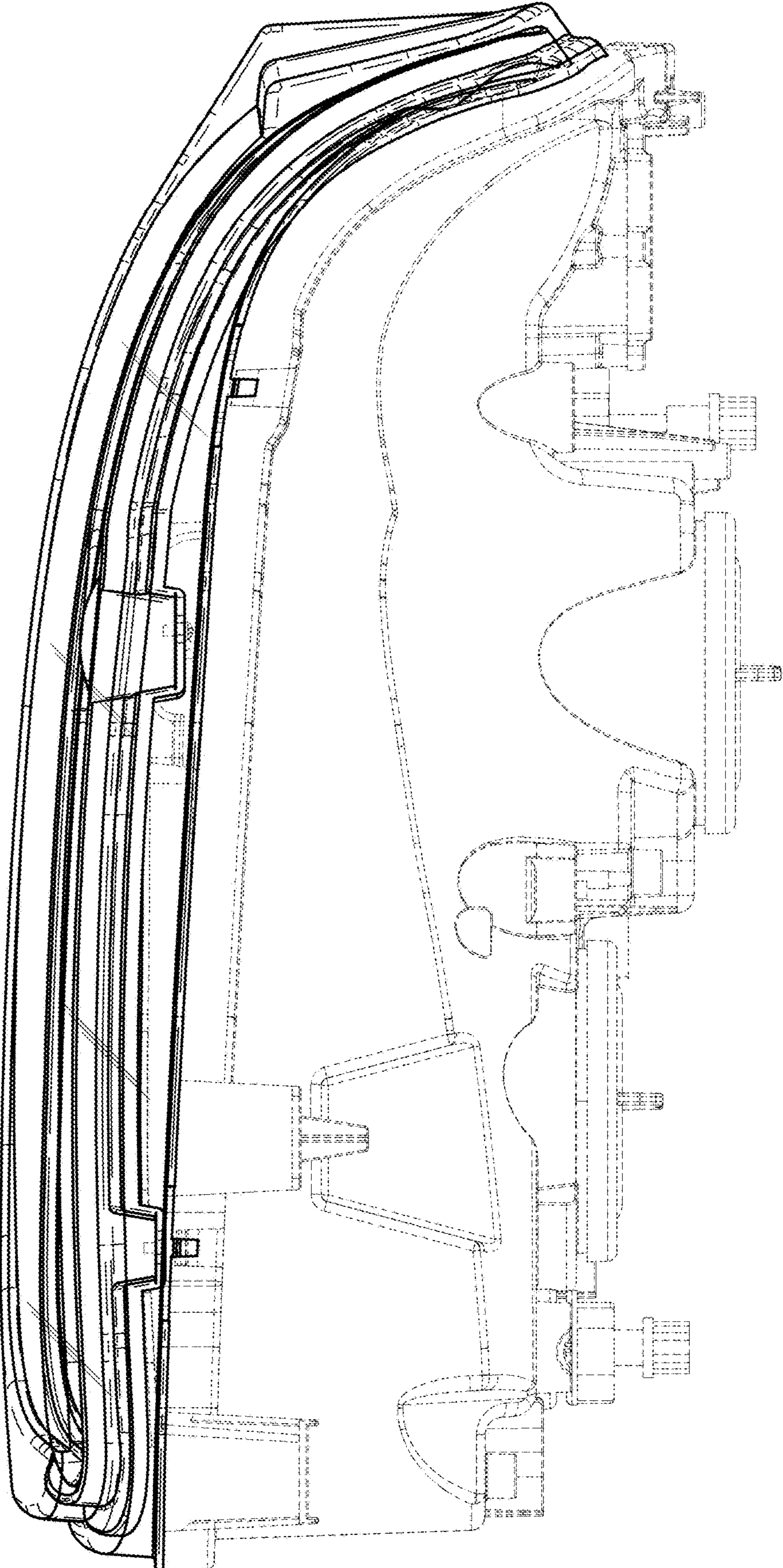


Fig.6