

US00D894436S

(12) **United States Design Patent**
Wu

(10) **Patent No.:** **US D894,436 S**

(45) **Date of Patent:** **** Aug. 25, 2020**

(54) **LIGHT SENSING DIMMABLE NIGHT LIGHT**

(71) Applicant: **Xun Wu**, Fuzhou (CN)

(72) Inventor: **Xun Wu**, Fuzhou (CN)

(**) Term: **15 Years**

(21) Appl. No.: **29/692,987**

(22) Filed: **May 30, 2019**

(51) **LOC (12) Cl.** **26-05**

(52) **U.S. Cl.**
USPC **D26/26**

(58) **Field of Classification Search**
USPC D26/26, 24, 113, 118, 119, 120;
D23/366, 367, 369; 362/640, 641, 642,
362/643, 644, 650, 651, 652, 653, 659
See application file for complete search history.

(56) **References Cited**

U.S. PATENT DOCUMENTS

| | | | | |
|--------------|---------|---------|-------|-----------|
| D287,408 S * | 12/1986 | Gaines | | D26/26 |
| D366,127 S * | 1/1996 | Yuen | | D26/26 |
| D429,829 S * | 8/2000 | Doran | | D13/137.1 |
| D457,974 S * | 5/2002 | Piegras | | D26/26 |
| D618,833 S * | 6/2010 | Wei | | D26/26 |
| D642,708 S * | 8/2011 | Kaule | | D26/26 |

| | | | | |
|--------------|---------|-------------|-------|--------|
| D642,709 S * | 8/2011 | Kang | | D26/26 |
| D806,915 S * | 1/2018 | Burke | | D26/26 |
| D864,429 S * | 10/2019 | Zhang | | D26/26 |
| D865,233 S * | 10/2019 | Lange | | D26/26 |
| D866,817 S * | 11/2019 | Markshausen | | D26/26 |
| D867,628 S * | 11/2019 | Rego | | D26/26 |
| D870,326 S * | 12/2019 | Chen | | D26/26 |

* cited by examiner

Primary Examiner — Angela J Lee
(74) *Attorney, Agent, or Firm* — ZANIP

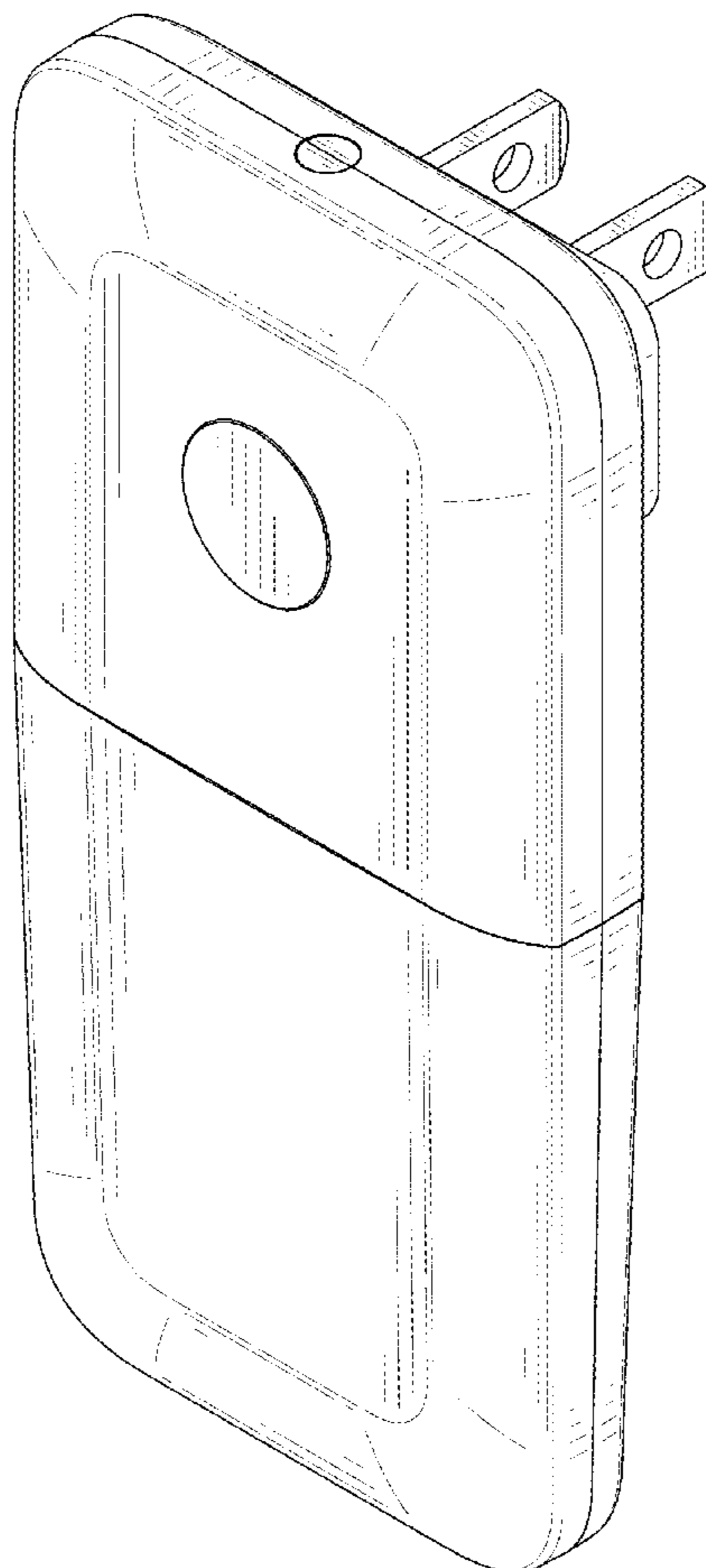
(57) **CLAIM**

The ornamental design for a light sensing dimmable night light, as shown and described.

DESCRIPTION

FIG. 1 is a first perspective view of a light sensing dimmable night light showing my design;
FIG. 2 is a second perspective view thereof;
FIG. 3 is a front view thereof;
FIG. 4 is, a back view thereof;
FIG. 5 is a left side view thereof;
FIG. 6 is a right side view thereof;
FIG. 7 is a top view thereof; and,
FIG. 8 is a bottom view thereof.
The broken lines shown in the drawings depict portions of the light sensing dimmable night light in which the design is embodied that form no part of the claimed design.

1 Claim, 8 Drawing Sheets



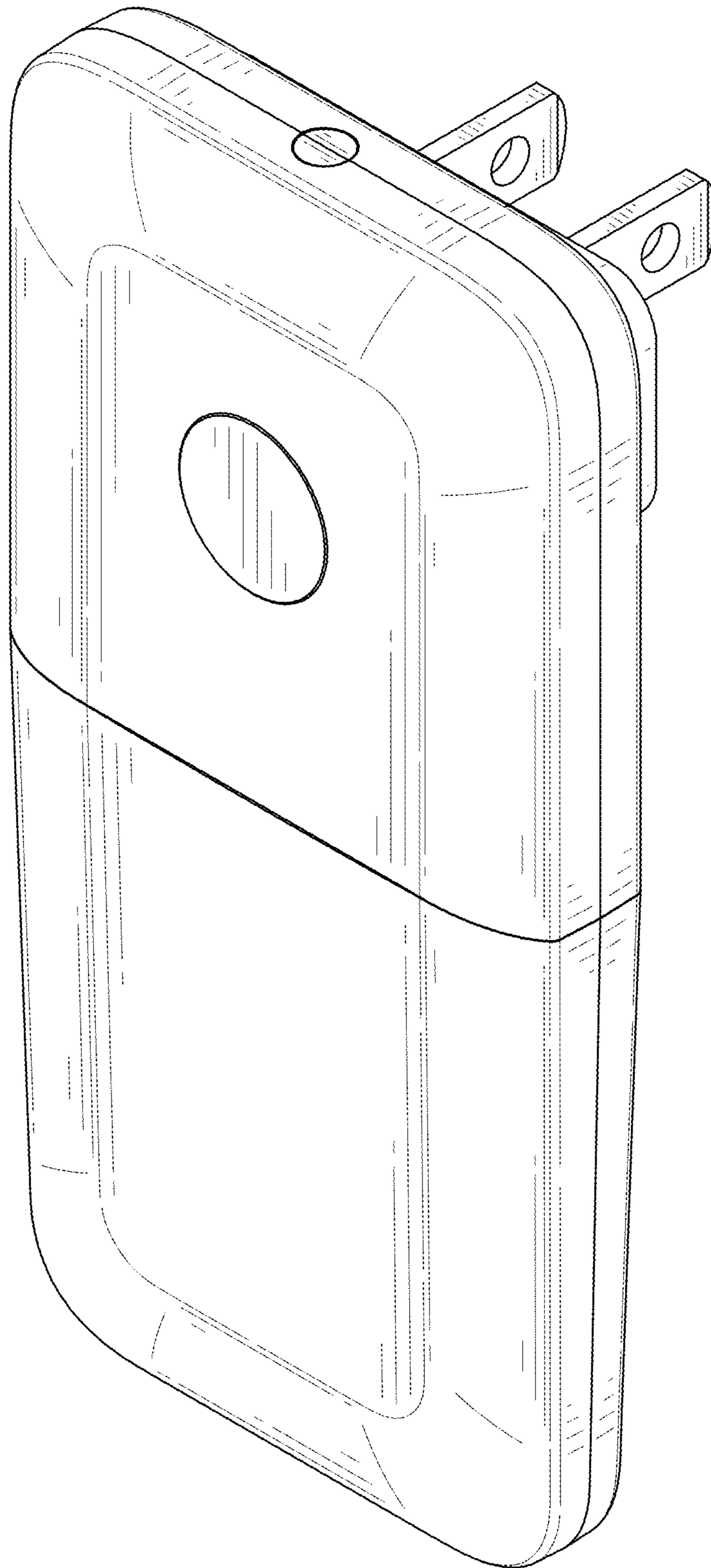


FIG. 1

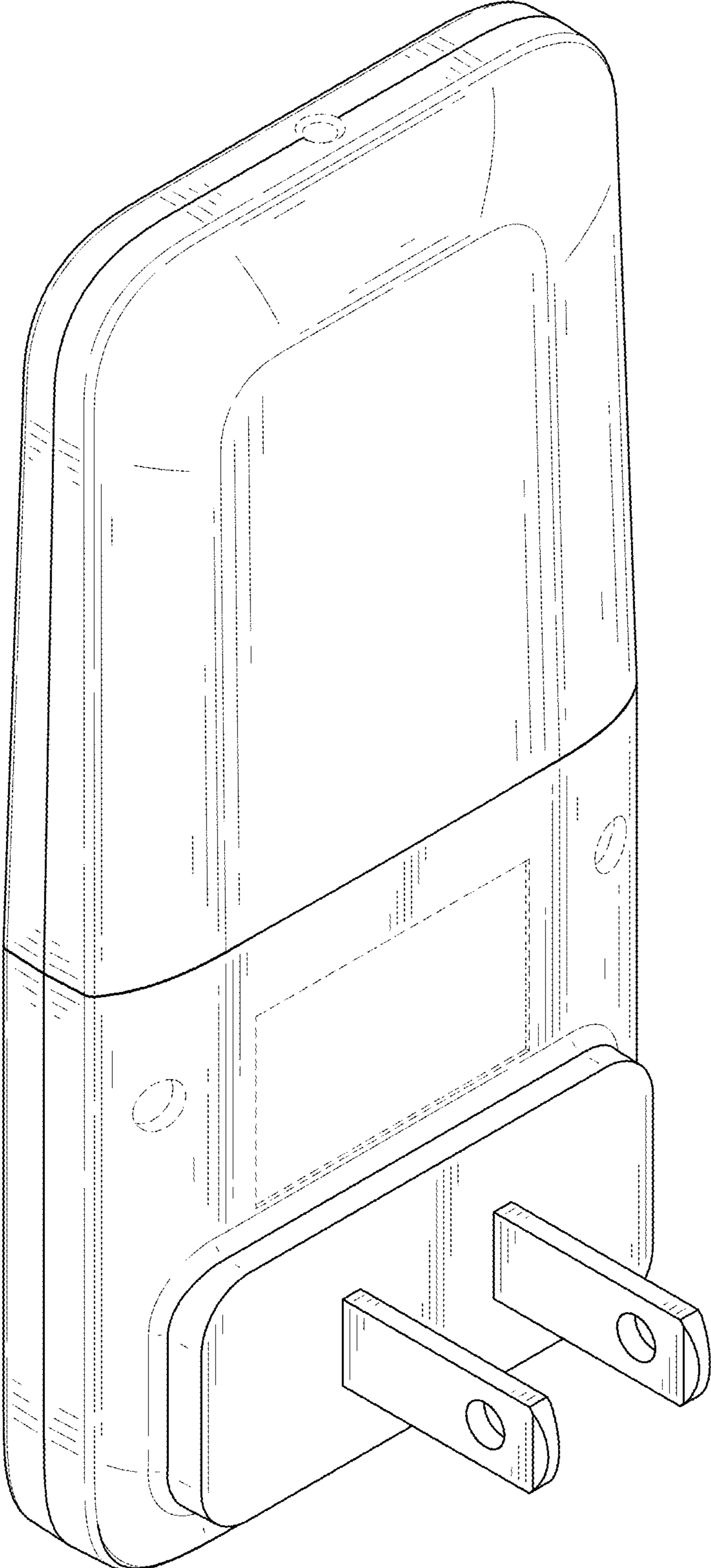


FIG. 2

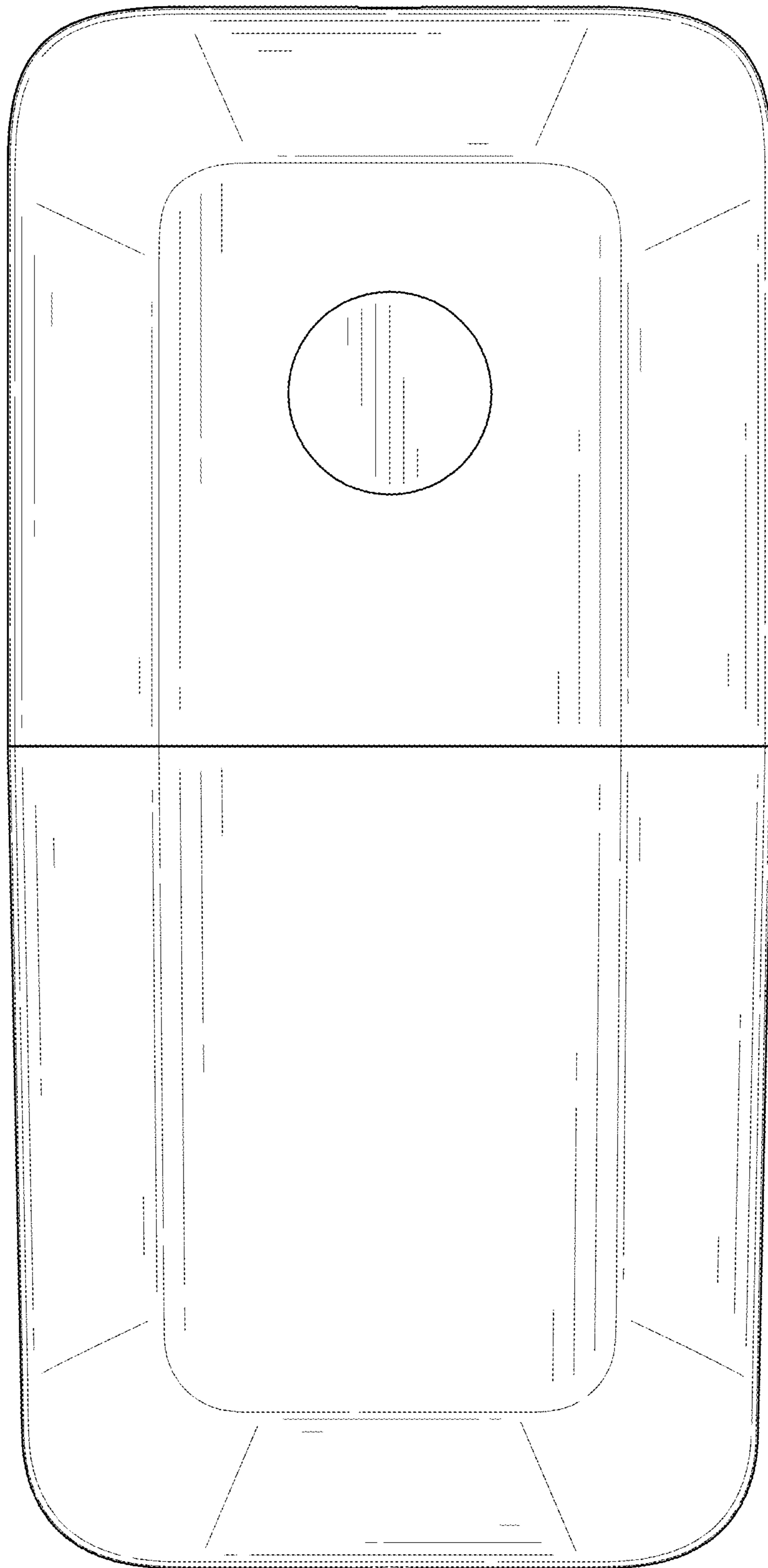


FIG. 3

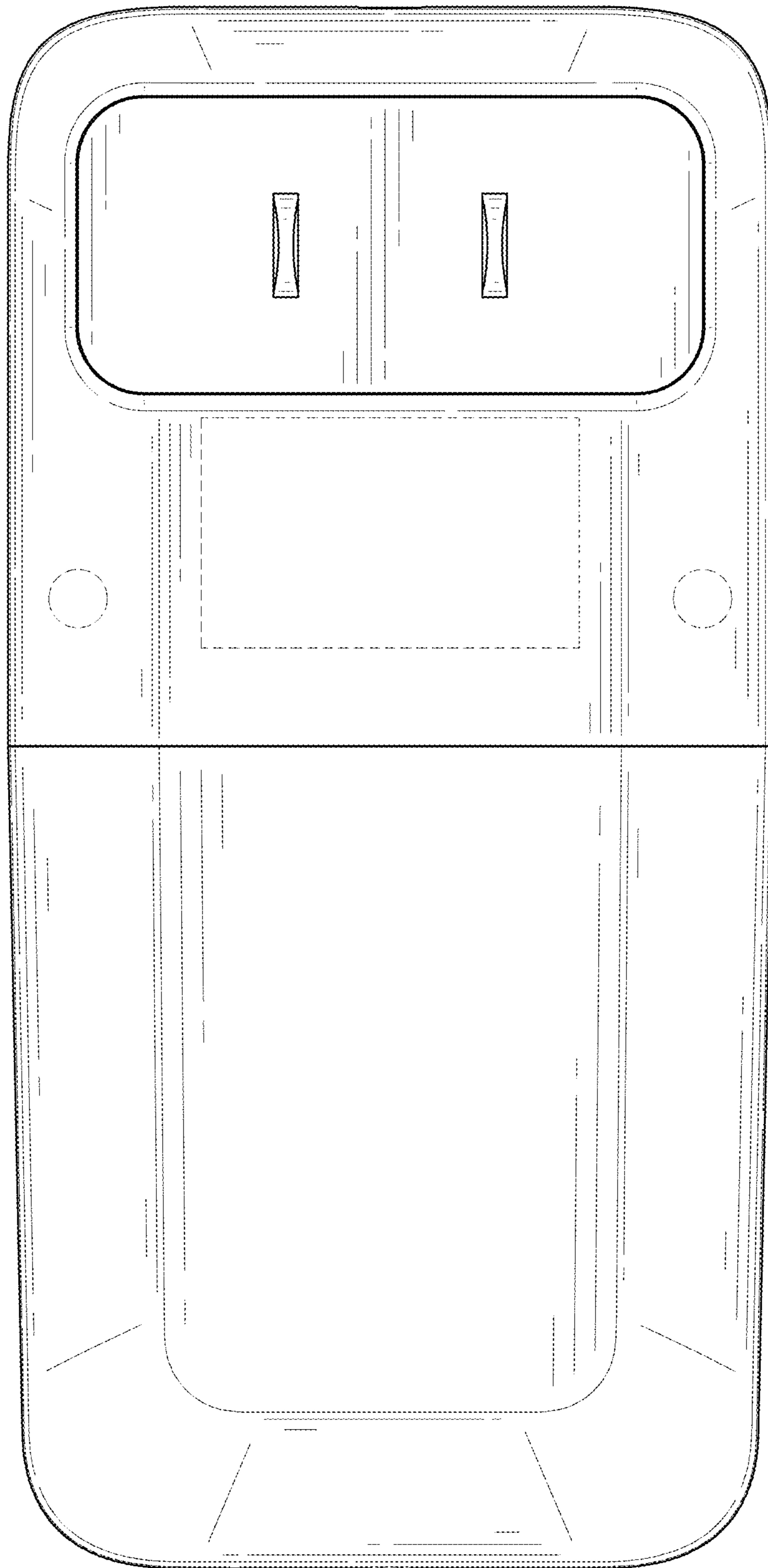


FIG. 4

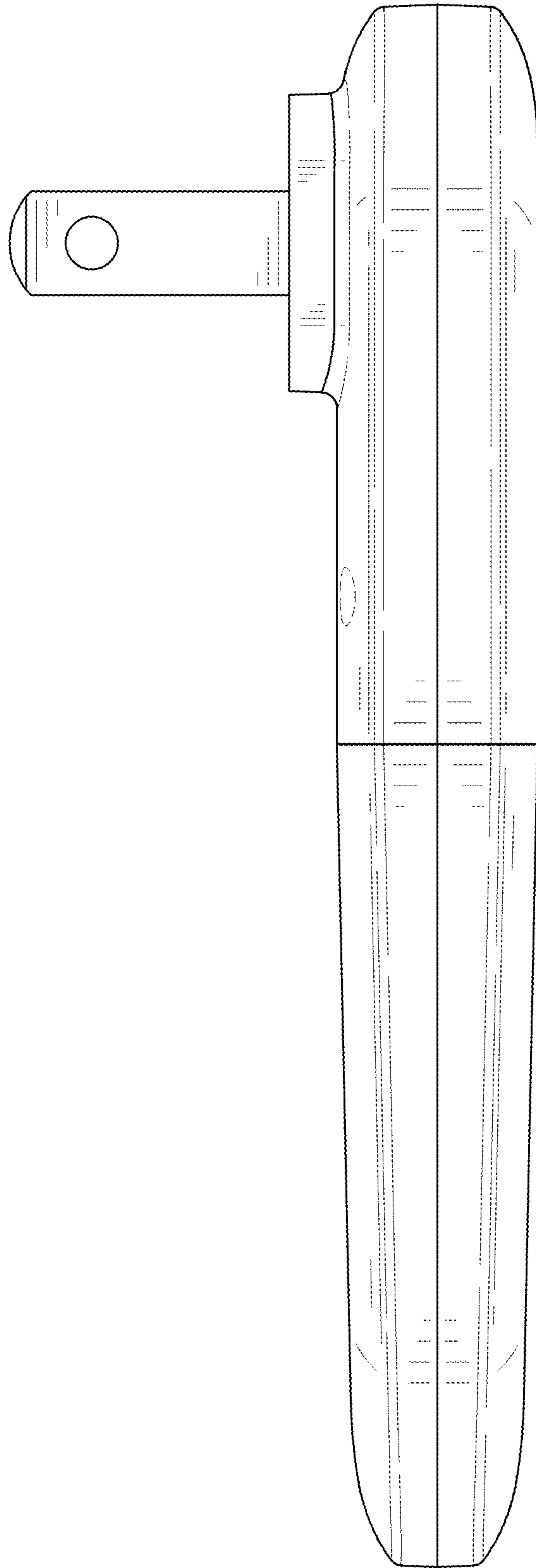


FIG. 5

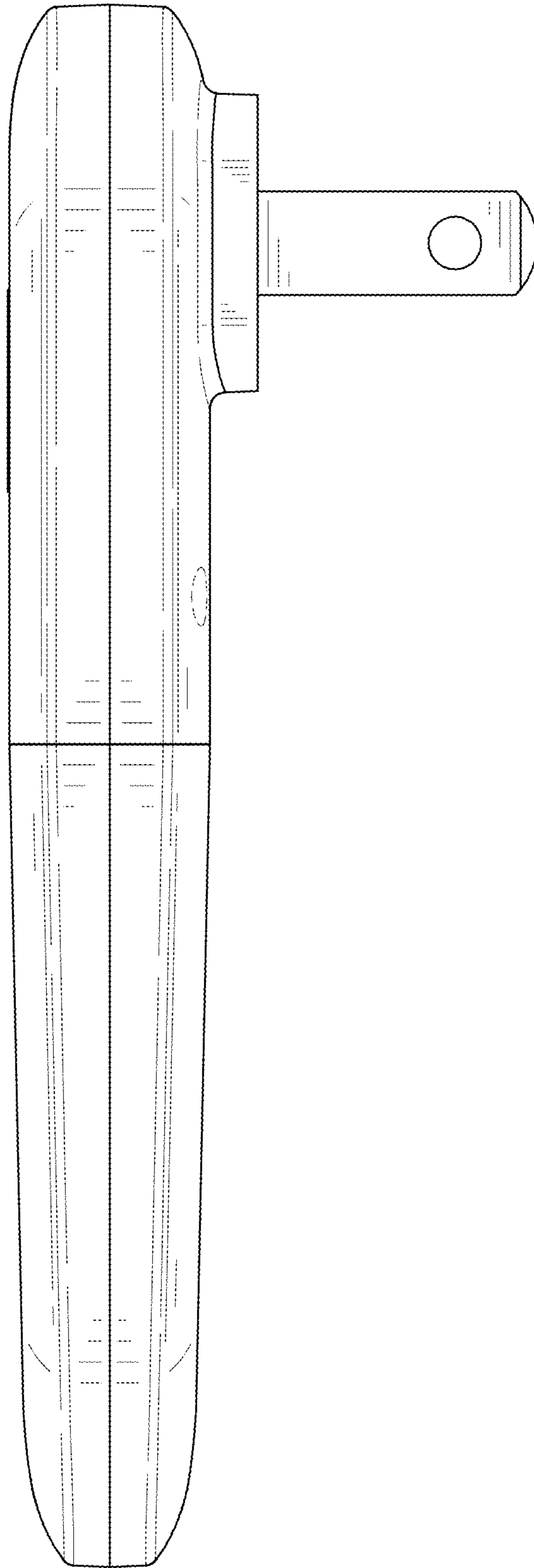


FIG. 6

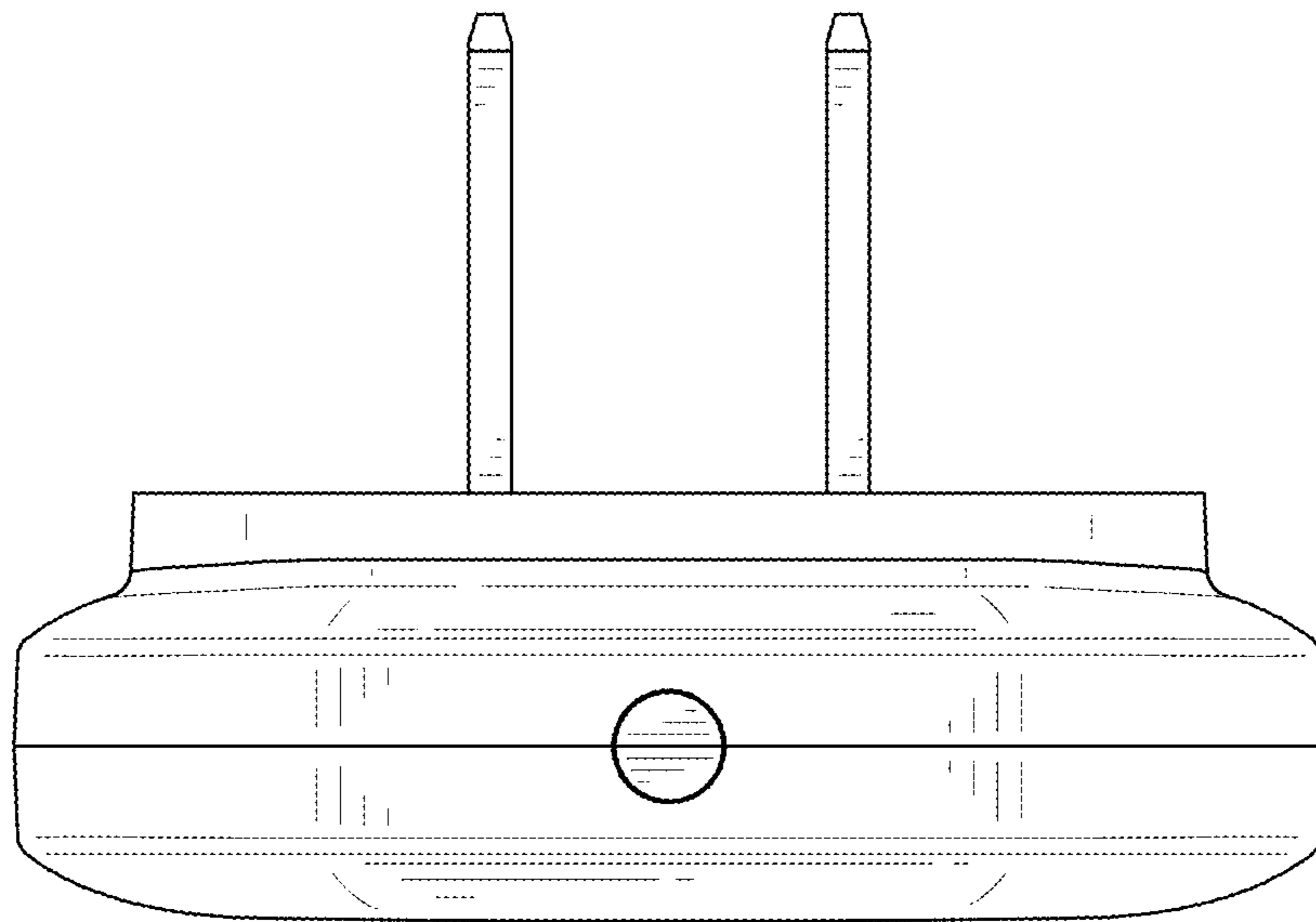


FIG. 7

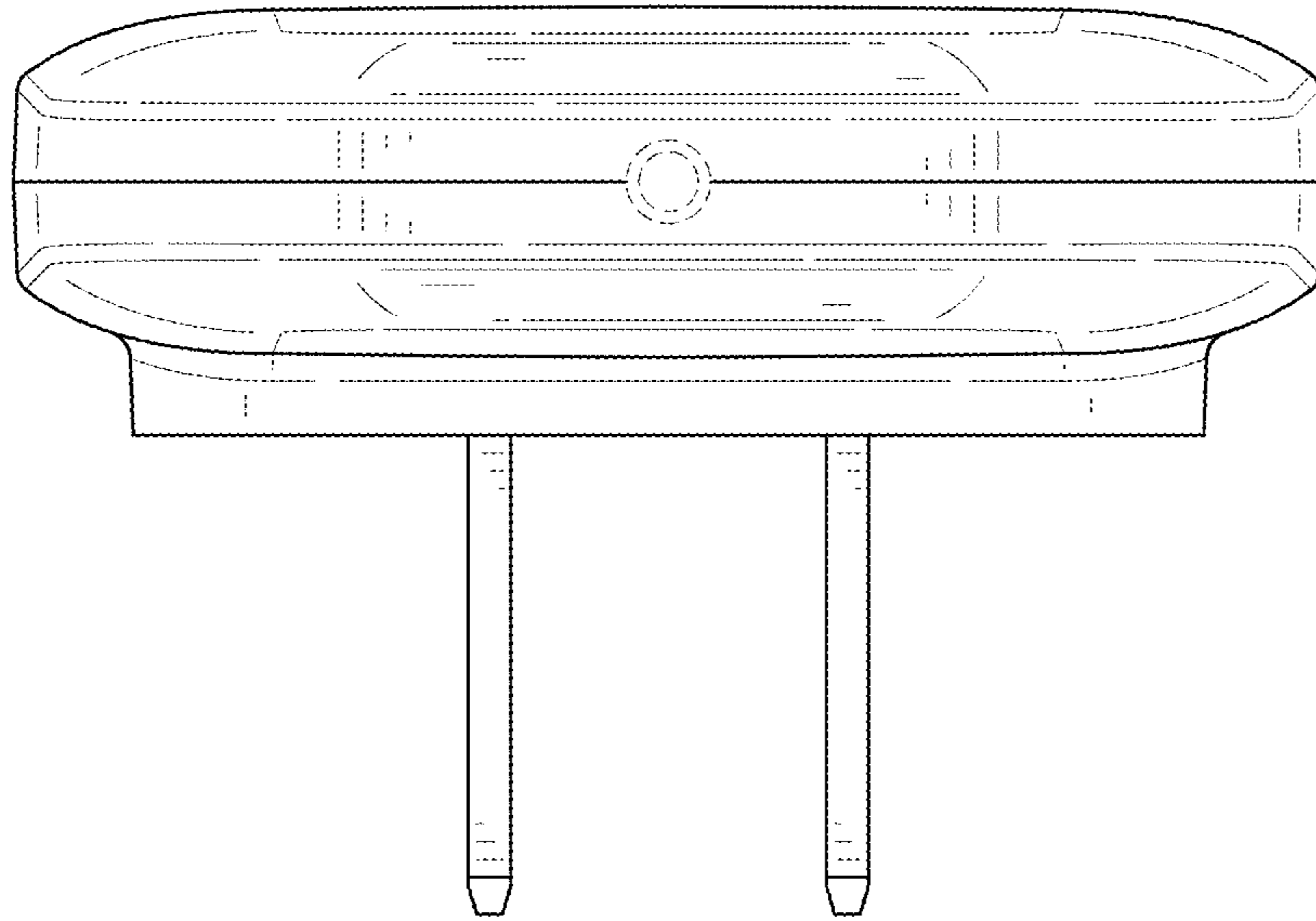


FIG. 8