



US00D894435S

(12) **United States Design Patent** (10) **Patent No.:** **US D894,435 S**  
**Lu et al.** (45) **Date of Patent:** **\*\* Aug. 25, 2020**

(54) **LIGHT FIXTURE**

(71) Applicant: **Xiamen PVTECH Co., Ltd.**, Xiamen, Fujian (CN)

(72) Inventors: **Fuxing Lu**, Fujian (CN); **Xiaoping Lan**, Fujian (CN); **Minghua Cai**, Fujian (CN)

(73) Assignee: **Xiamen PVTECH Co., Ltd.**, Xiamen, Fujian (CN)

(\*\*) Term: **15 Years**

(21) Appl. No.: **29/702,767**

(22) Filed: **Aug. 22, 2019**

(51) **LOC (12) Cl.** ..... **26-04**

(52) **U.S. Cl.**  
USPC ..... **D26/3**

(58) **Field of Classification Search**  
USPC ..... D26/1-6  
CPC ..... H01R 5/00; H01R 13/46; H01R 13/514;  
H01R 31/048; H01R 31/02; H01J 5/00;  
H01J 5/16; H01J 1/02; H01J 15/00; H01J  
5/48; H01J 5/50; H01J 19/54; F21V 5/00;  
F21K 9/00; F21K 13/00

See application file for complete search history.

(56) **References Cited**

U.S. PATENT DOCUMENTS

D477,093	S	*	7/2003	Moriyama	.....	D26/3
D584,429	S	*	1/2009	Pei	.....	D26/3
D601,726	S	*	10/2009	Mollaert	.....	D26/3
D652,968	S	*	1/2012	Aguiar	.....	D26/3
D662,236	S	*	6/2012	Matsushita	.....	D26/3

\* cited by examiner

*Primary Examiner* — Marcus A Jackson

(74) *Attorney, Agent, or Firm* — Winston Hsu

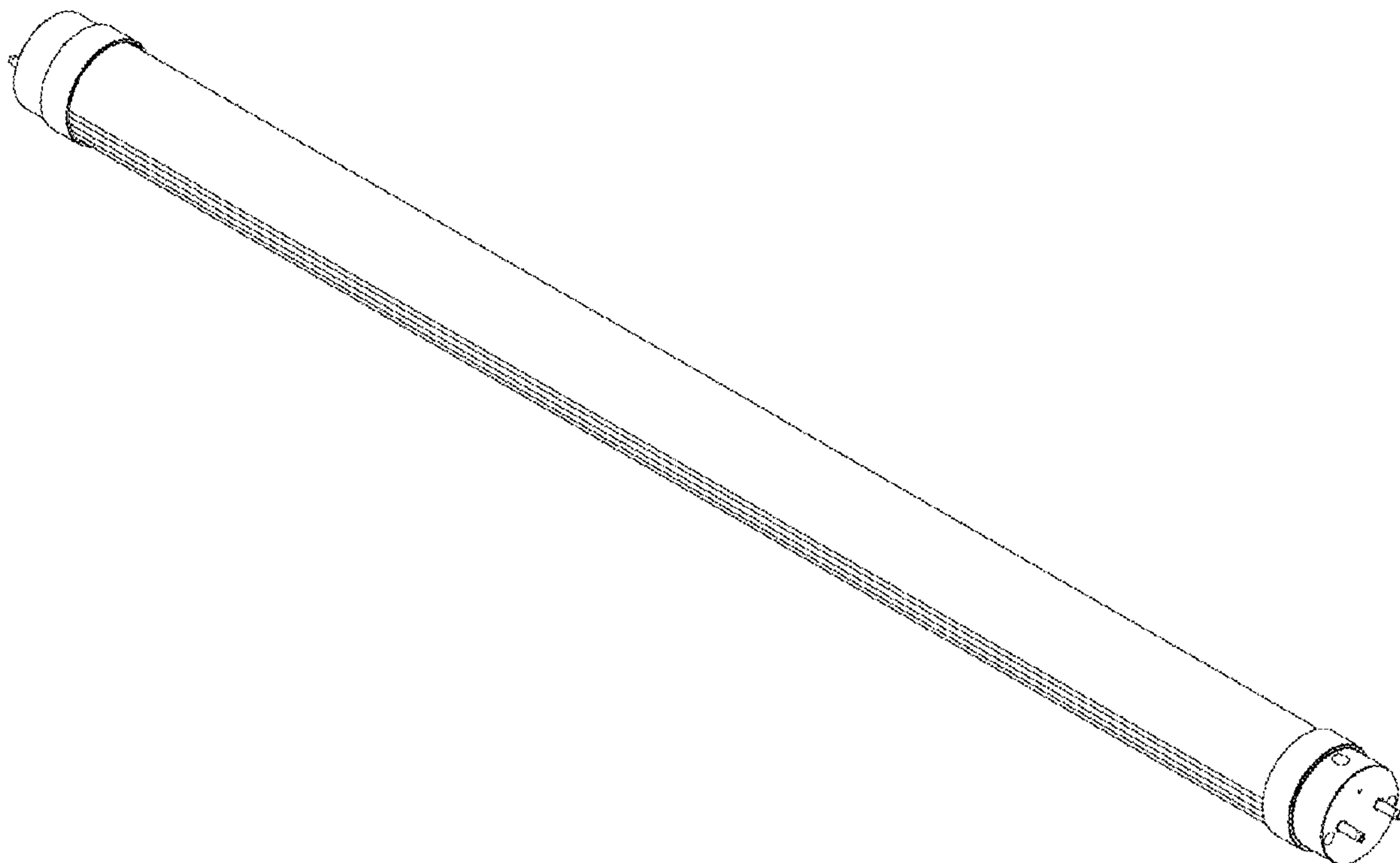
(57) **CLAIM**

The ornamental design for a light fixture, as shown and described.

**DESCRIPTION**

FIG. 1 is a top, front, and right side perspective view for a light fixture showing our new design;  
FIG. 2 is a front view thereof;  
FIG. 3 is a rear view thereof;  
FIG. 4 is a left side view thereof;  
FIG. 5 is a right side view thereof;  
FIG. 6 is a top view thereof;  
FIG. 7 is a bottom view thereof; and,  
FIG. 8 is a schematic operational view thereof.

**1 Claim, 5 Drawing Sheets**



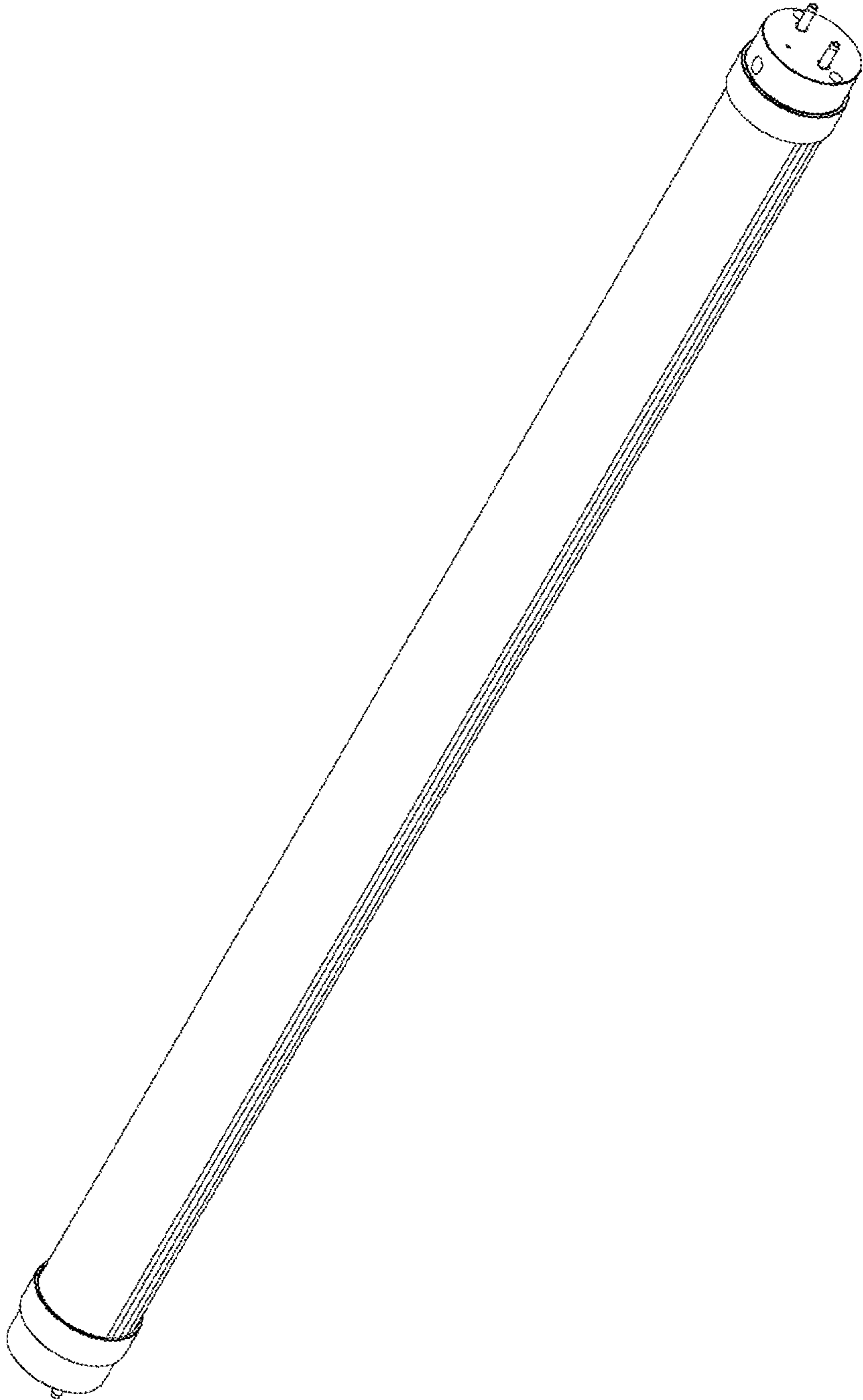


Fig. 1

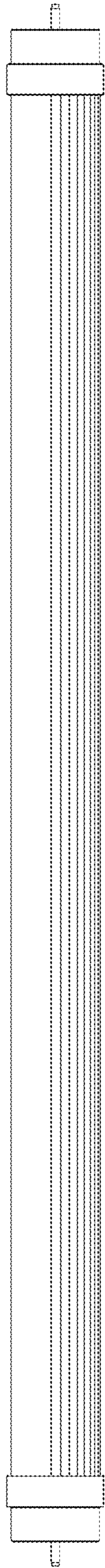


Fig. 2

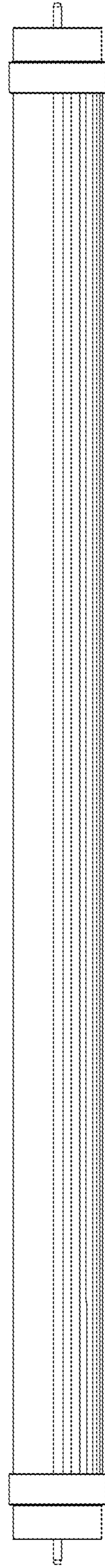


Fig. 3

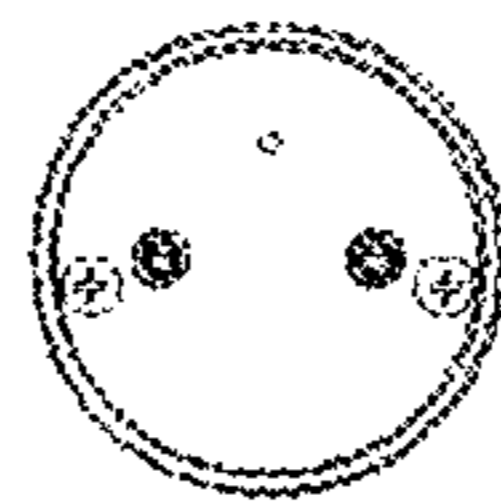


Fig. 4

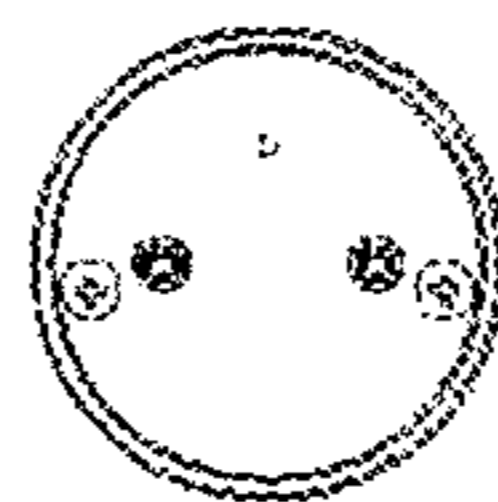


Fig. 5

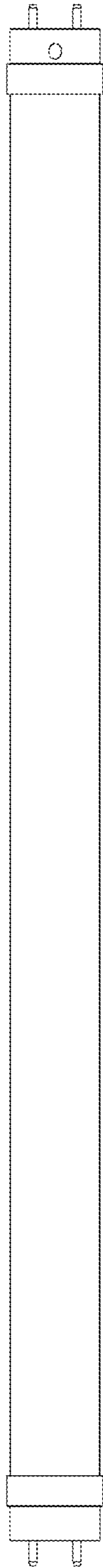


Fig. 6

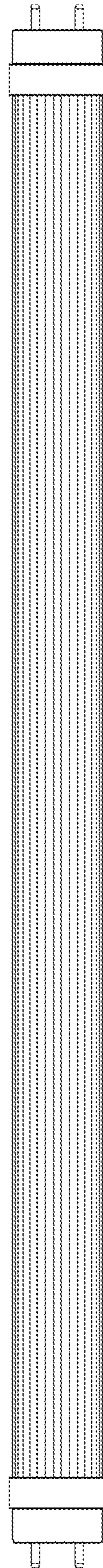


Fig. 7

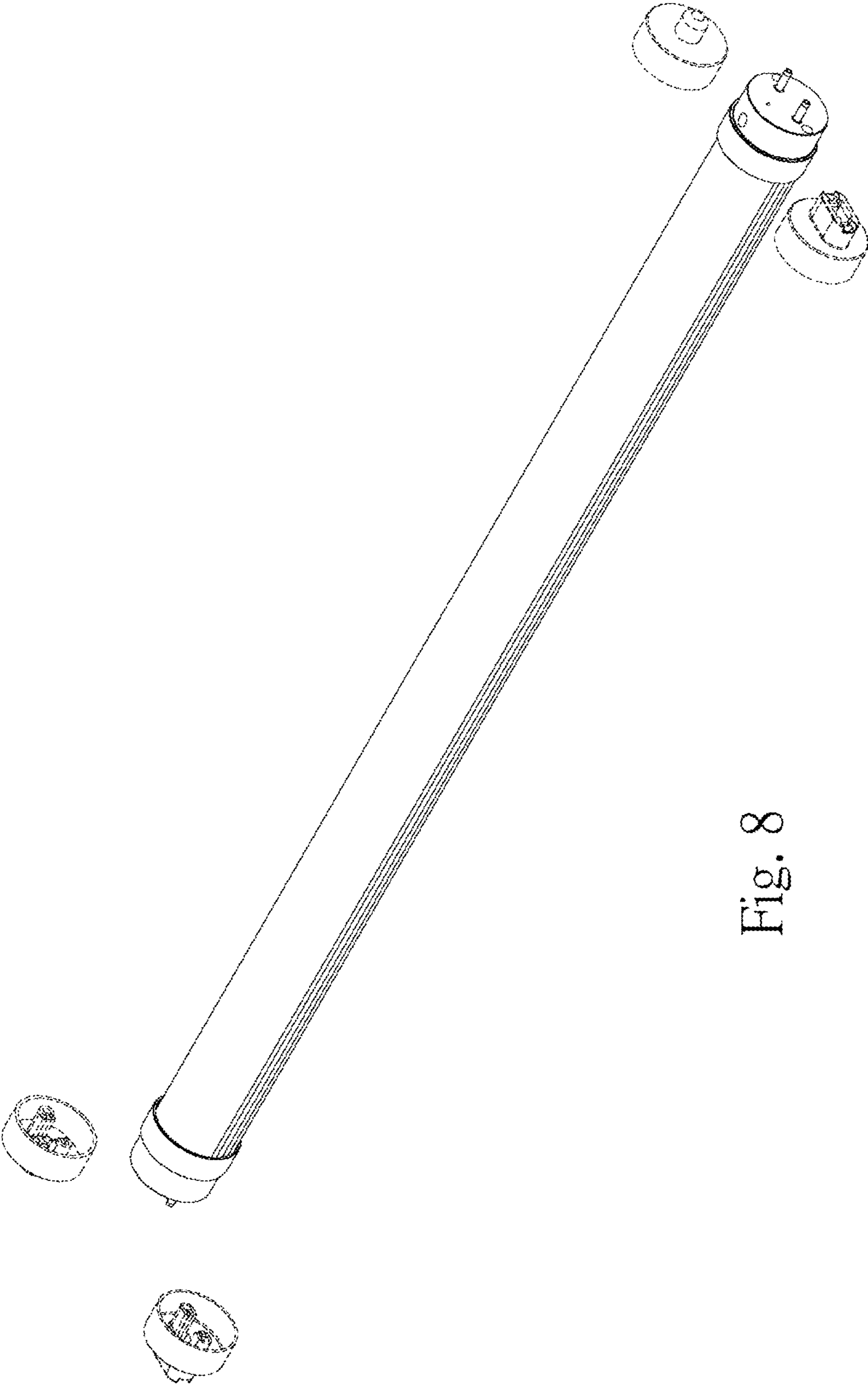


Fig. 8