



US00D894434S

(12) **United States Design Patent**
Lan et al.

(10) **Patent No.:** **US D894,434 S**

(45) **Date of Patent:** **** Aug. 25, 2020**

(54) **LED LAMP**

(71) Applicant: **Shenzhen Guanke Technologies Co., Ltd**, Shenzhen (CN)

(72) Inventors: **Qing Lan**, Shenzhen (CN); **Xuren Qiu**, Shenzhen (CN); **Ligen Liu**, Shenzhen (CN); **Shoubao Chen**, Shenzhen (CN)

(73) Assignee: **Shenzhen Guanke Technologies Co., Ltd**, Shenzhen (CN)

(**) Term: **15 Years**

(21) Appl. No.: **29/687,162**

(22) Filed: **Apr. 11, 2019**

(30) **Foreign Application Priority Data**

Jan. 25, 2019 (CN) 2019 3 0043383

(51) **LOC (12) Cl.** **26-04**

(52) **U.S. Cl.**
USPC **D26/2**

(58) **Field of Classification Search**
USPC D26/1-4
CPC H01R 5/00; H01R 13/46; H01R 13/514;
H01R 31/048; H01R 31/02; H01J 5/00;
H01J 5/16; H01J 1/02; H01J 15/00; H01J
5/48; H01J 5/50; H01J 19/54; F21V 5/00;
F21K 9/00; F21K 13/00

See application file for complete search history.

(56) **References Cited**

U.S. PATENT DOCUMENTS

D660,468 S * 5/2012 Mase D26/2
D660,469 S * 5/2012 Mase D26/2

D667,150 S * 9/2012 Chun D26/2
D719,684 S * 12/2014 Grajcar D26/2
D728,834 S * 5/2015 Taylor D26/2
D732,211 S * 6/2015 Cho D26/2

* cited by examiner

Primary Examiner — Marcus A Jackson

(74) *Attorney, Agent, or Firm* — Maier & Maier, PLLC

(57) **CLAIM**

The ornamental design for LED lamp, as shown and described.

DESCRIPTION

FIG. 1 is a front perspective view of LED lamp, showing our design;

FIG. 2 is a rear perspective view thereof;

FIG. 3 is a front side view thereof;

FIG. 4 is a back side view thereof;

FIG. 5 is a right side view thereof;

FIG. 6 is a left side view thereof;

FIG. 7 is a top plan view thereof;

FIG. 8 is a bottom plan view thereof;

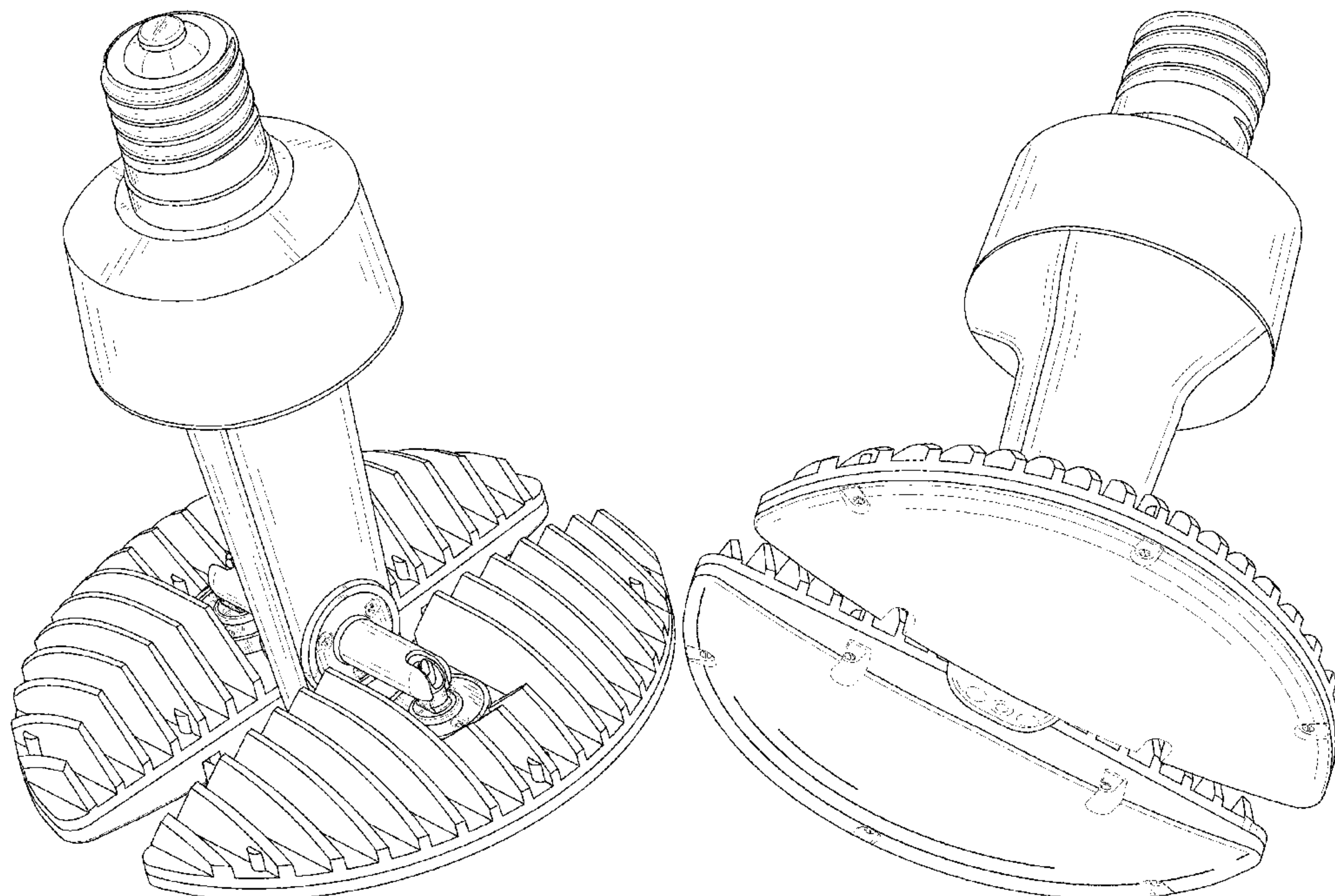
FIG. 9 is a front side view thereof in an alternative arrangement;

FIG. 10 is another front side view thereof in an alternative arrangement;

FIG. 11 is a partial cross-sectional view thereof, taken along circle 11 of FIG. 3; and,

FIG. 12 is a partial cross-sectional view thereof, taken along circle 12 of FIG. 7.

1 Claim, 12 Drawing Sheets



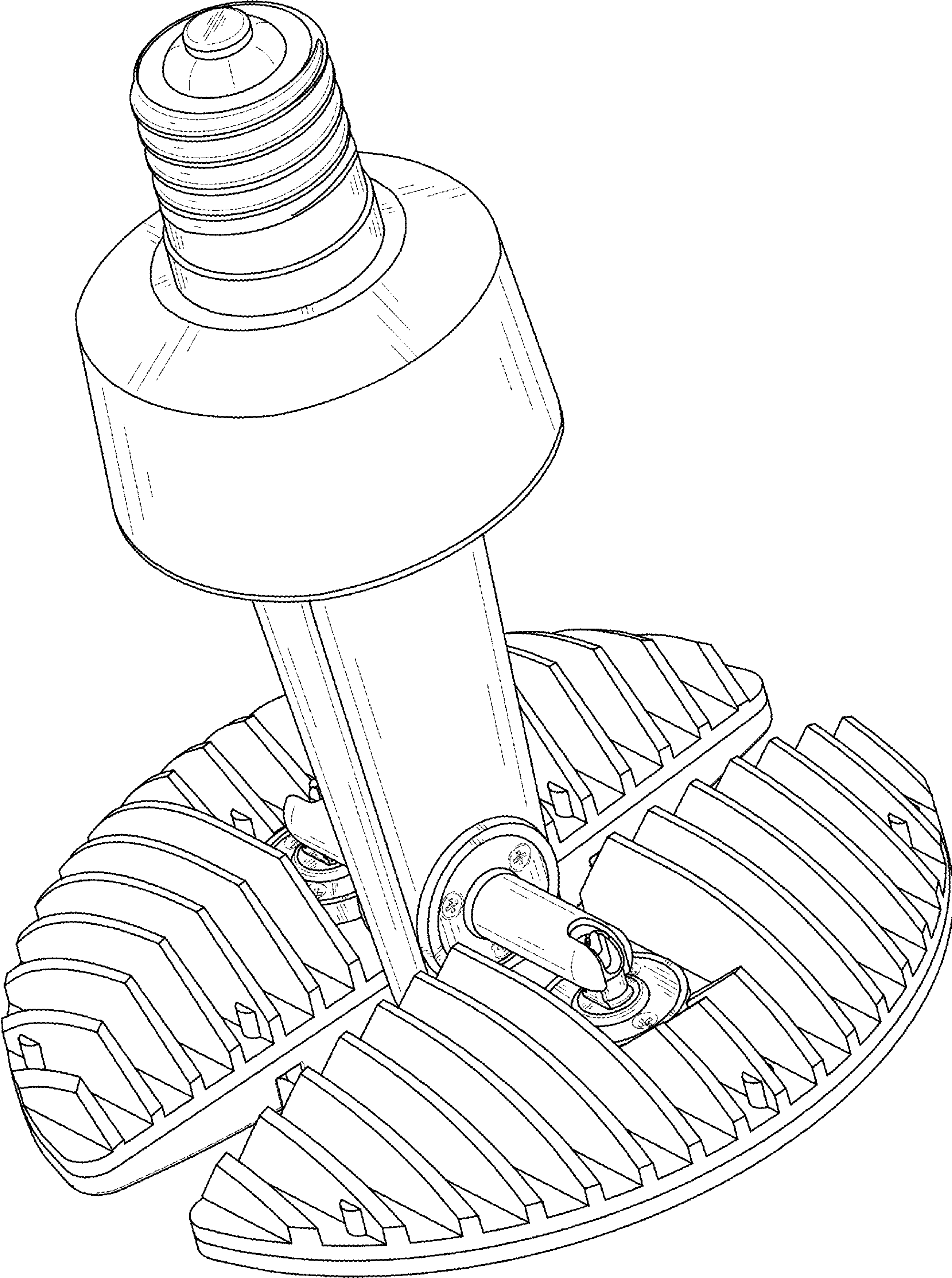


FIG. 1

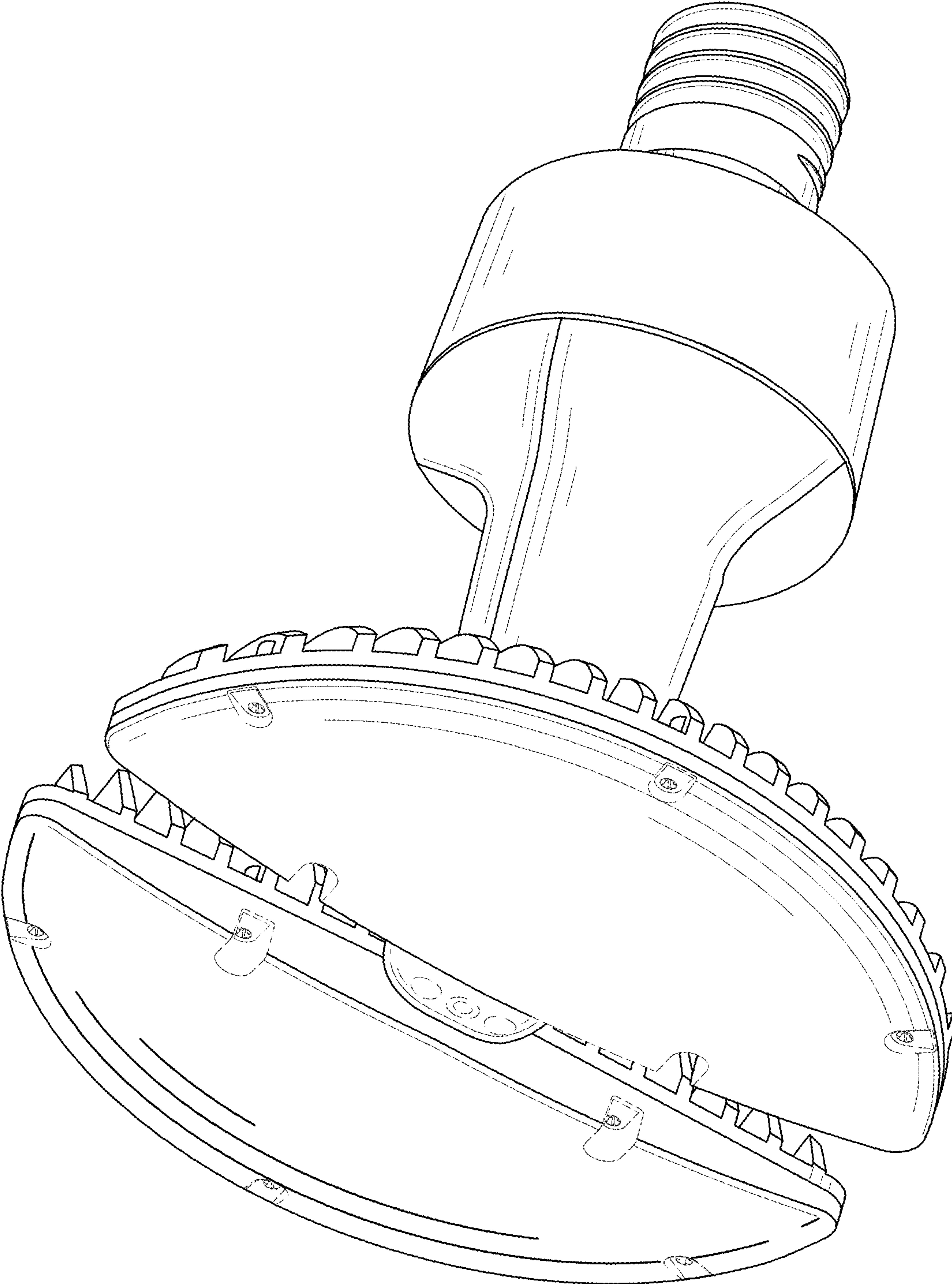


FIG. 2

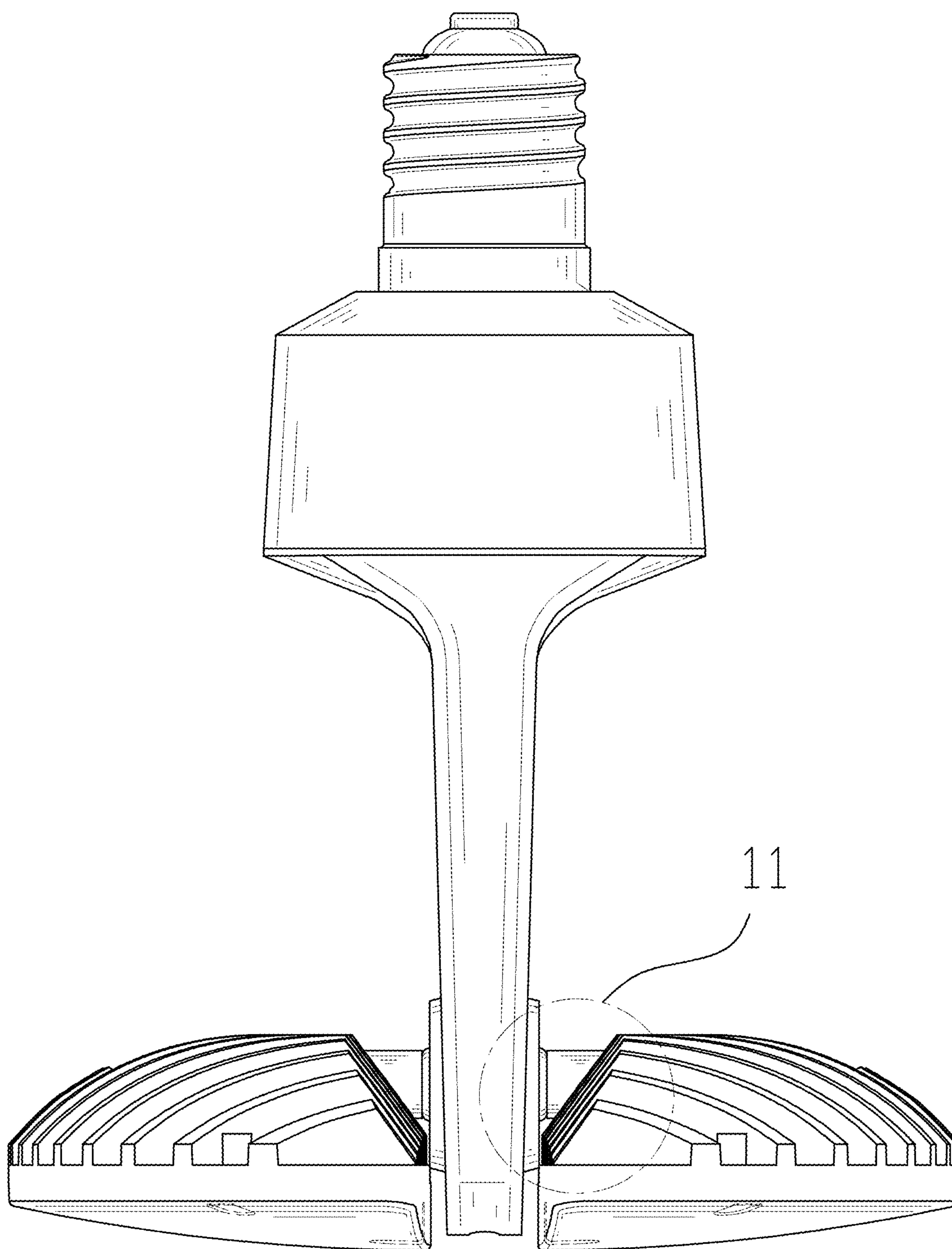


FIG. 3

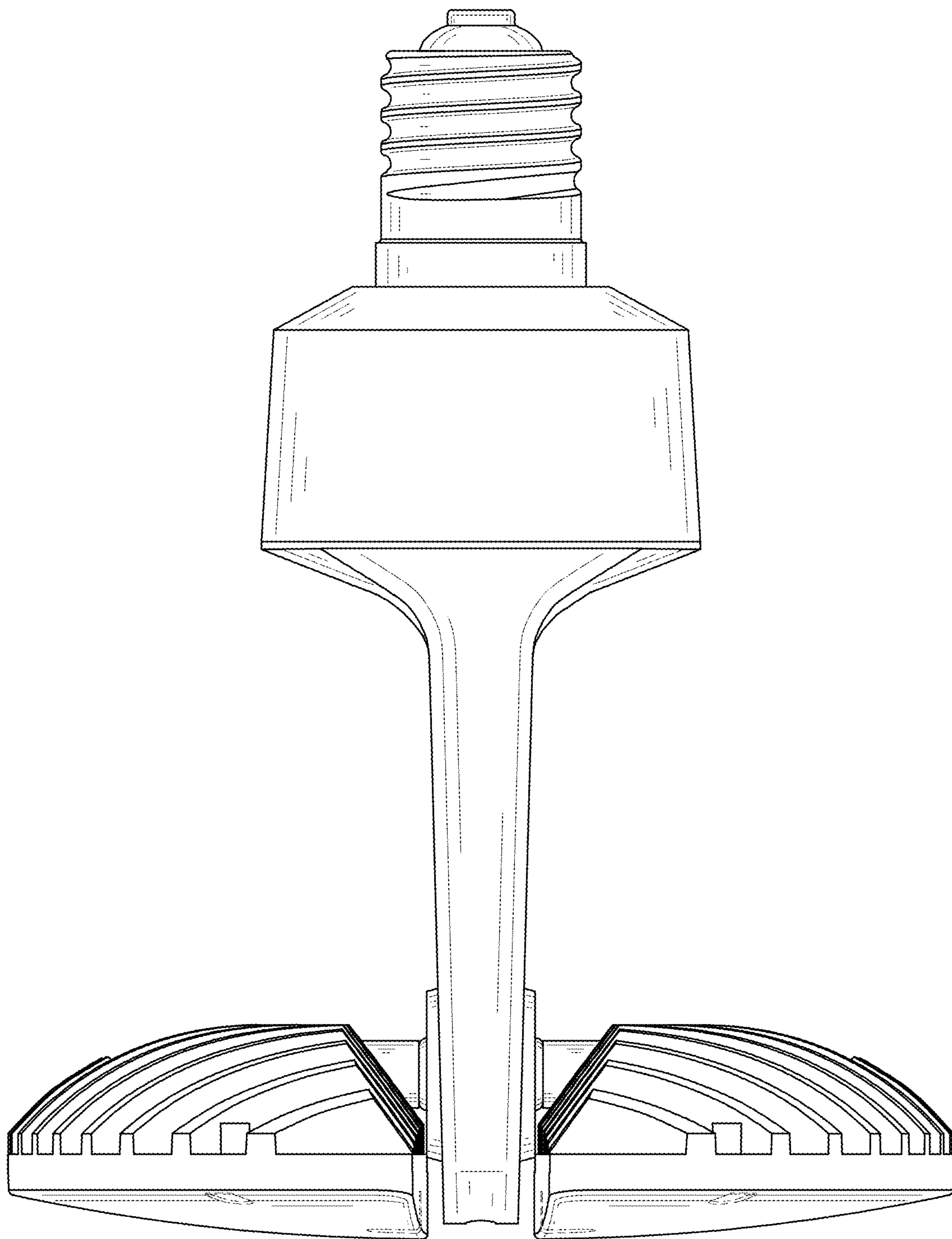


FIG. 4

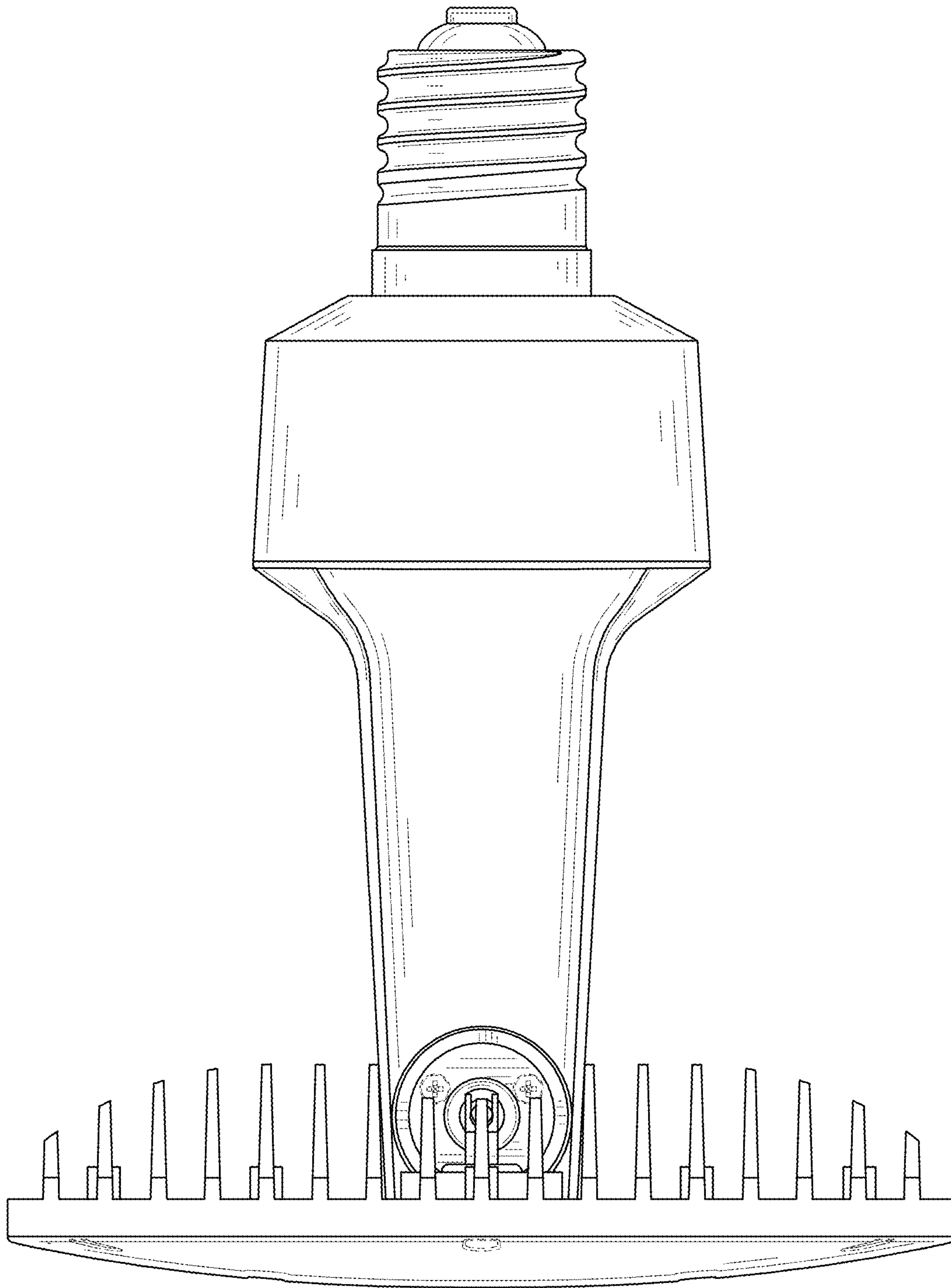


FIG. 5

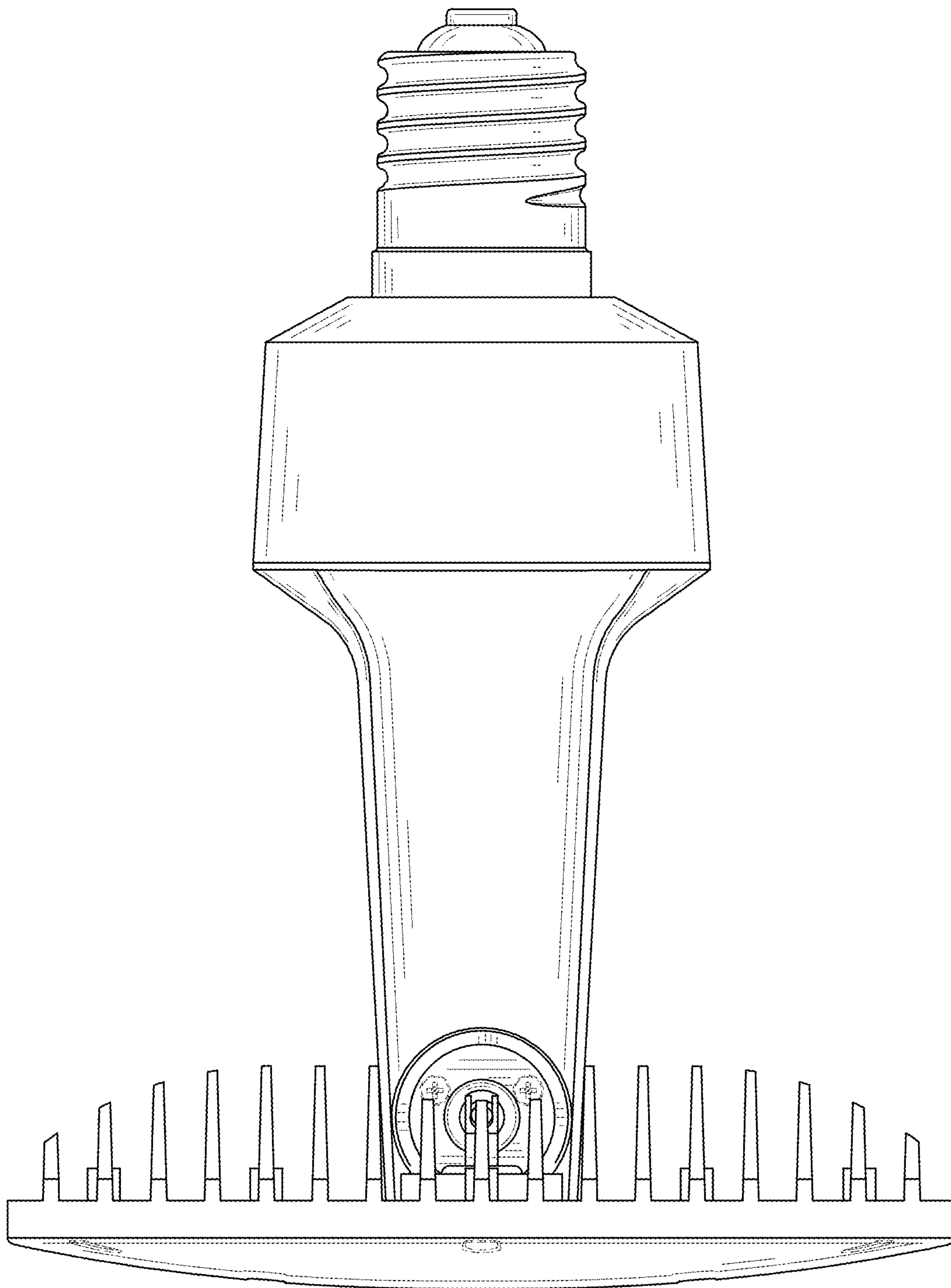


FIG. 6

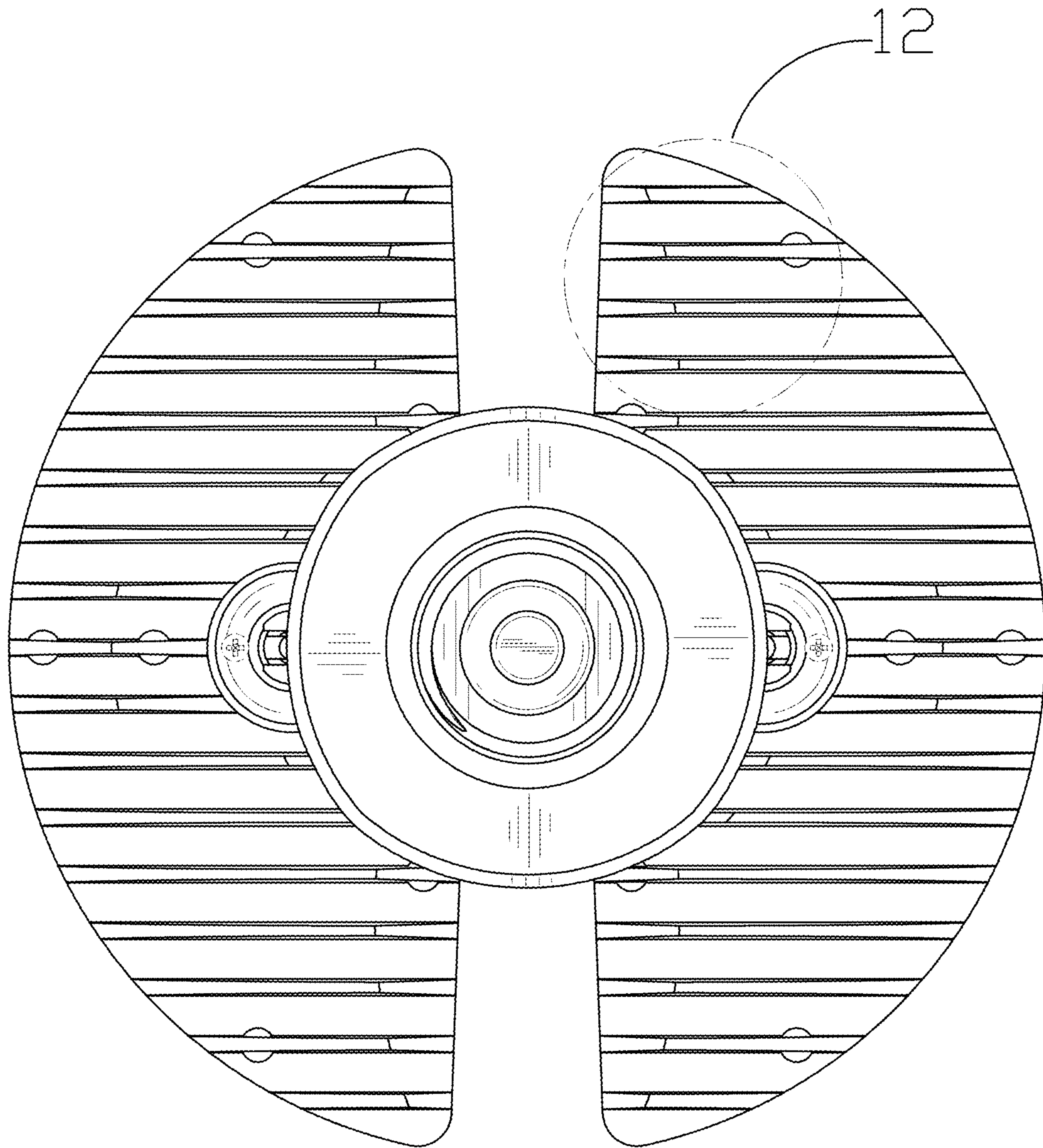


FIG. 7

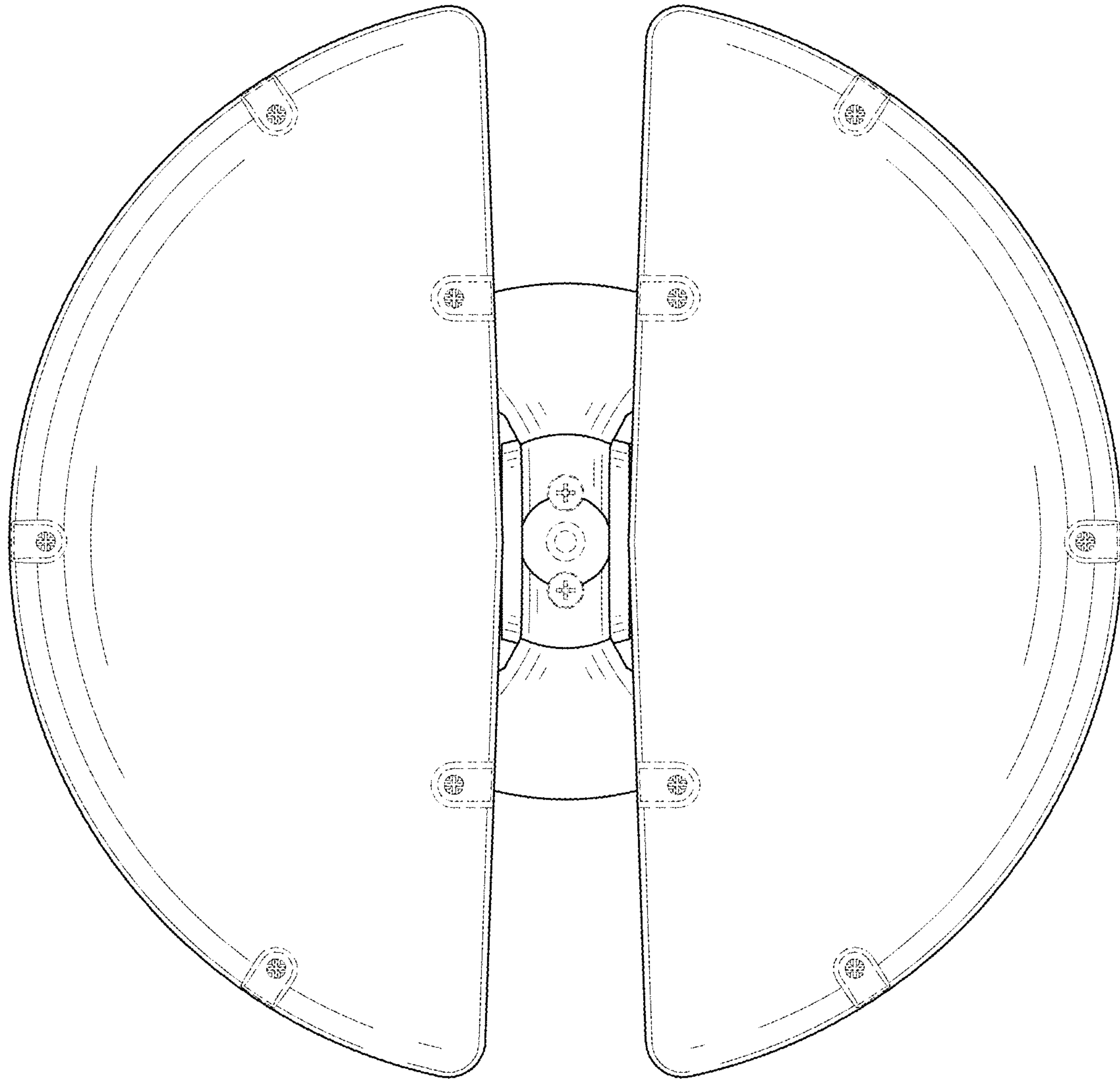


FIG. 8

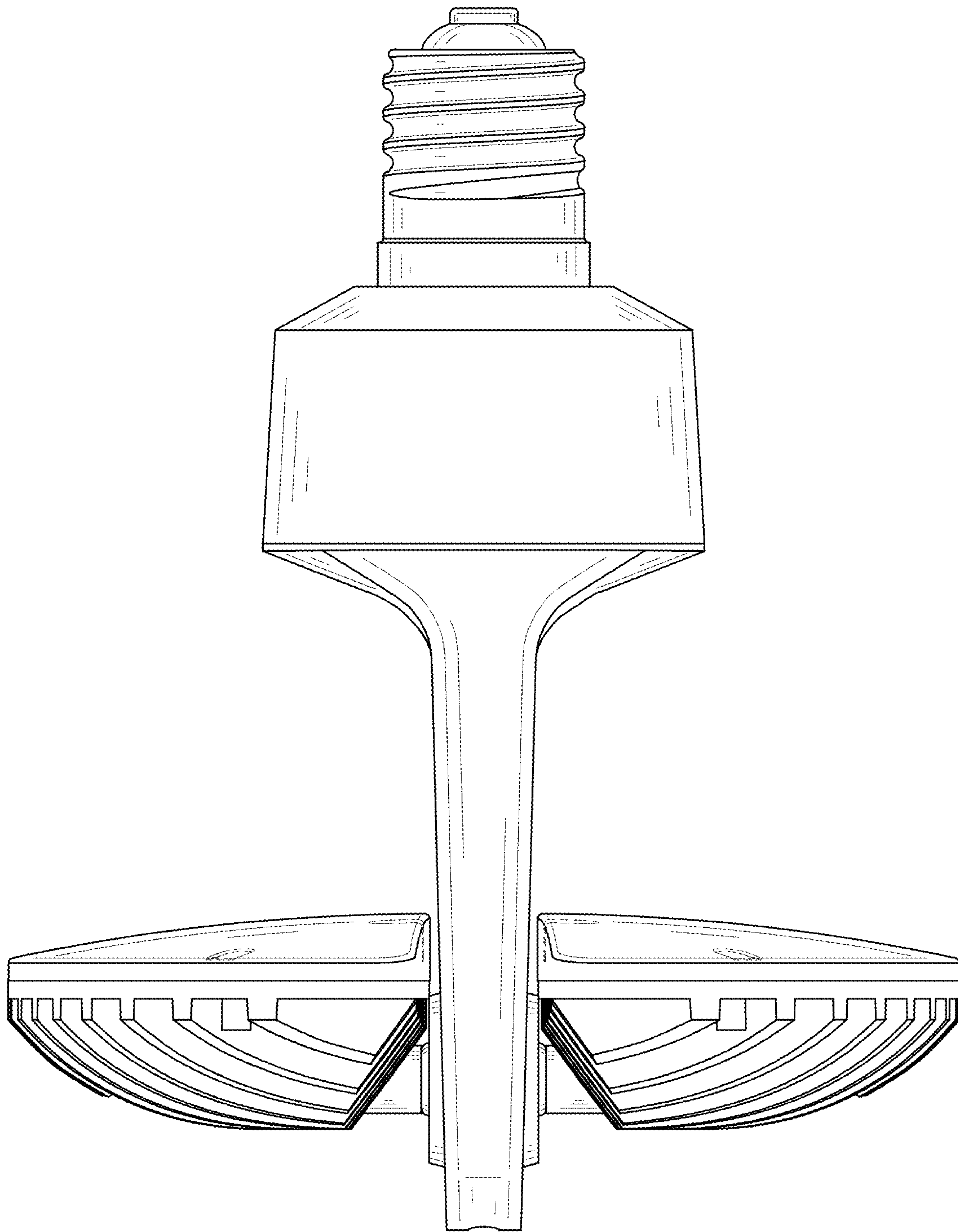


FIG. 9

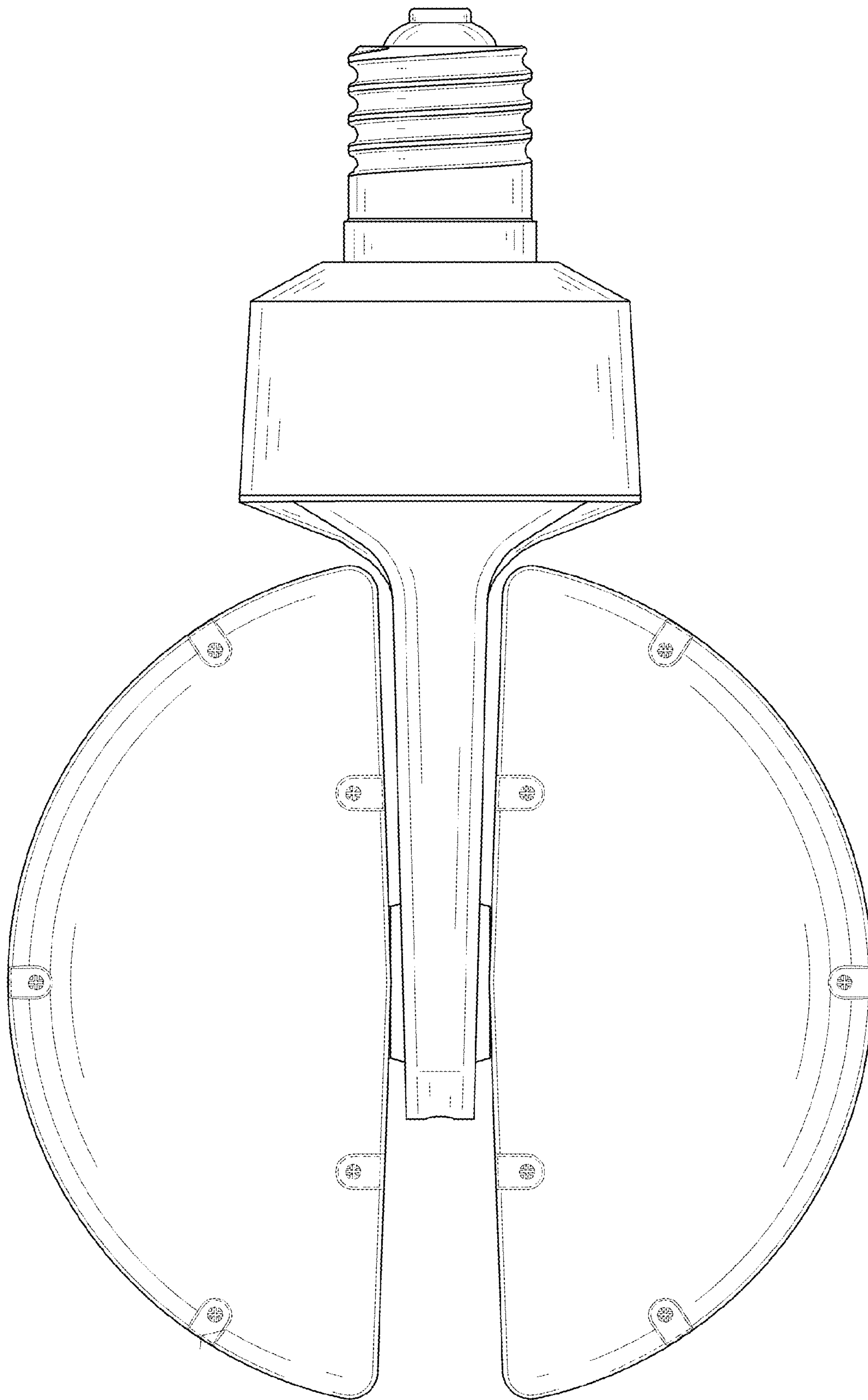


FIG. 10

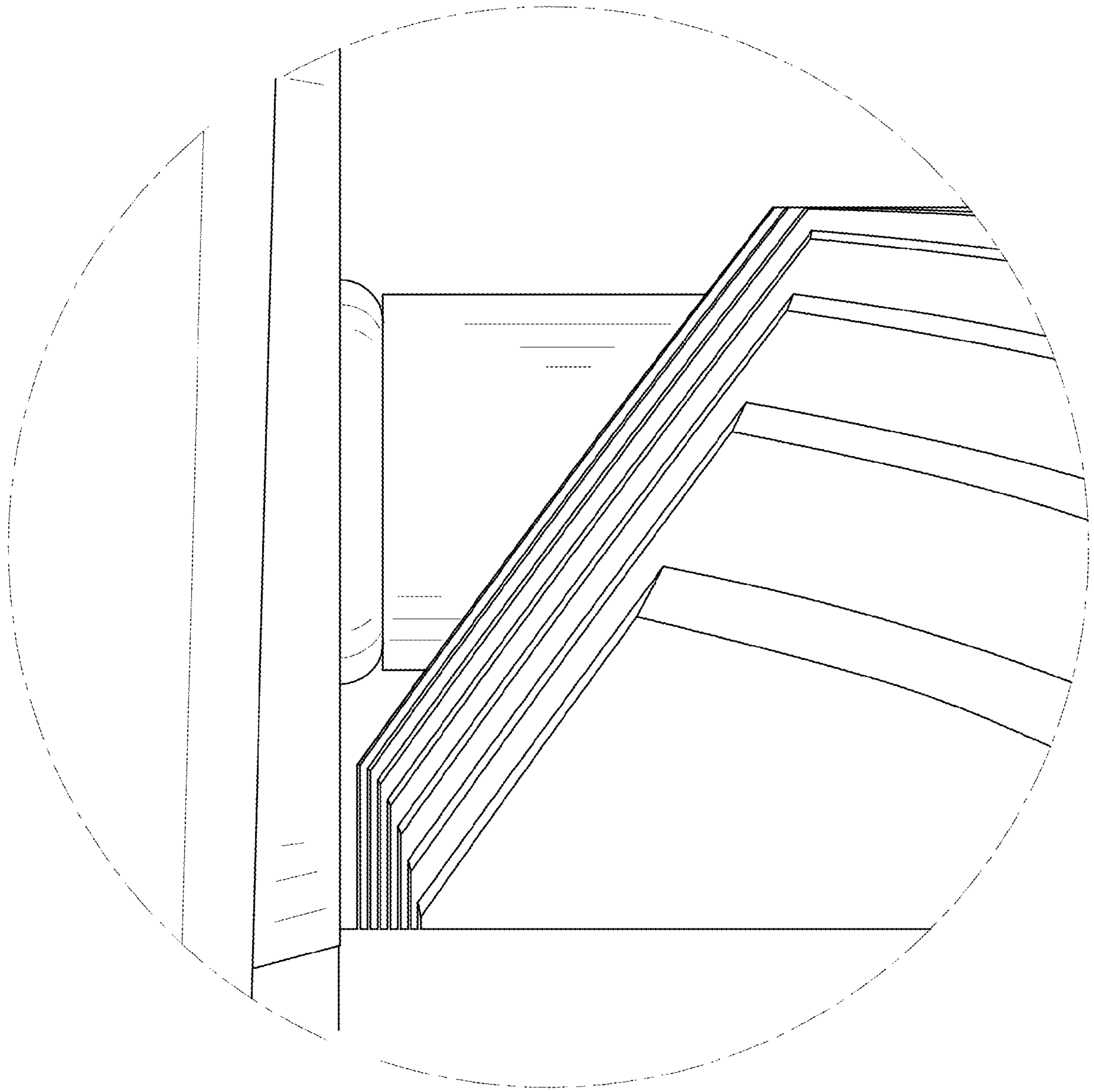


FIG. 11

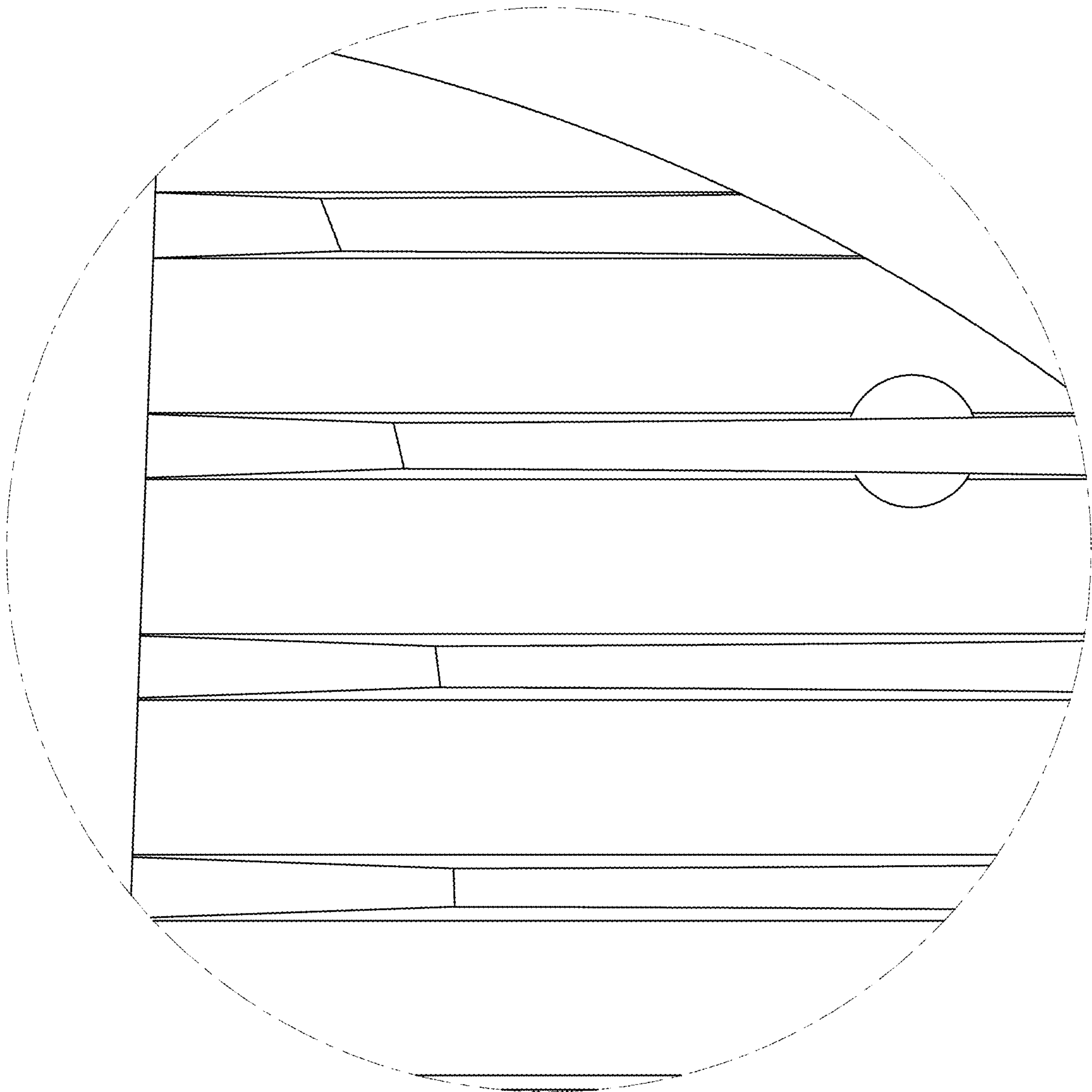


FIG. 12