



US00D894428S

(12) **United States Design Patent**
Cunningham

(10) **Patent No.:** **US D894,428 S**

(45) **Date of Patent:** **** Aug. 25, 2020**

- (54) **POST RING**
- (71) Applicant: **Terry Joseph Cunningham**, Ash Grove, MO (US)
- (72) Inventor: **Terry Joseph Cunningham**, Ash Grove, MO (US)
- (**) Term: **15 Years**
- (21) Appl. No.: **29/611,024**
- (22) Filed: **Jul. 18, 2017**
- (51) **LOC (12) Cl.** **25-01**
- (52) **U.S. Cl.**
USPC **D25/133**
- (58) **Field of Classification Search**
USPC D25/48.1, 48.4, 48.6, 61, 126, 131, 133, D25/134, 135, 157, 38.1, 39; 52/155, 52/165, 170, 295, 698, 702
CPC . E04H 12/2215; E04H 12/2292; E04H 17/22; E04H 17/1421; E04H 12/2261; E02D 2200/1621; E02D 2200/1685; E02D 2600/20; E02D 5/285; Y10S 256/05; E04C 2003/043; E04C 2003/0465; E04C 3/30; E04F 11/1812; E04G 21/3223
See application file for complete search history.

- 8,757,598 B1 * 6/2014 Jones E04H 12/2276 248/346.03
 - D711,557 S * 8/2014 Halfmann D25/135
 - 8,806,821 B1 * 8/2014 Brown E02D 27/42 264/233
 - 8,875,471 B2 * 11/2014 Siqueiros E01C 23/10 52/125.5
 - 9,016,225 B1 * 4/2015 Jenkins B63B 21/24 114/230.1
 - D790,082 S * 6/2017 Guinn D25/133
 - 9,822,544 B2 * 11/2017 Stevens E04H 12/20
- (Continued)

Primary Examiner — Samantha Q Lawrence
(74) *Attorney, Agent, or Firm* — Dunlap Bennett & Ludwig, PLLC

(57) **CLAIM**

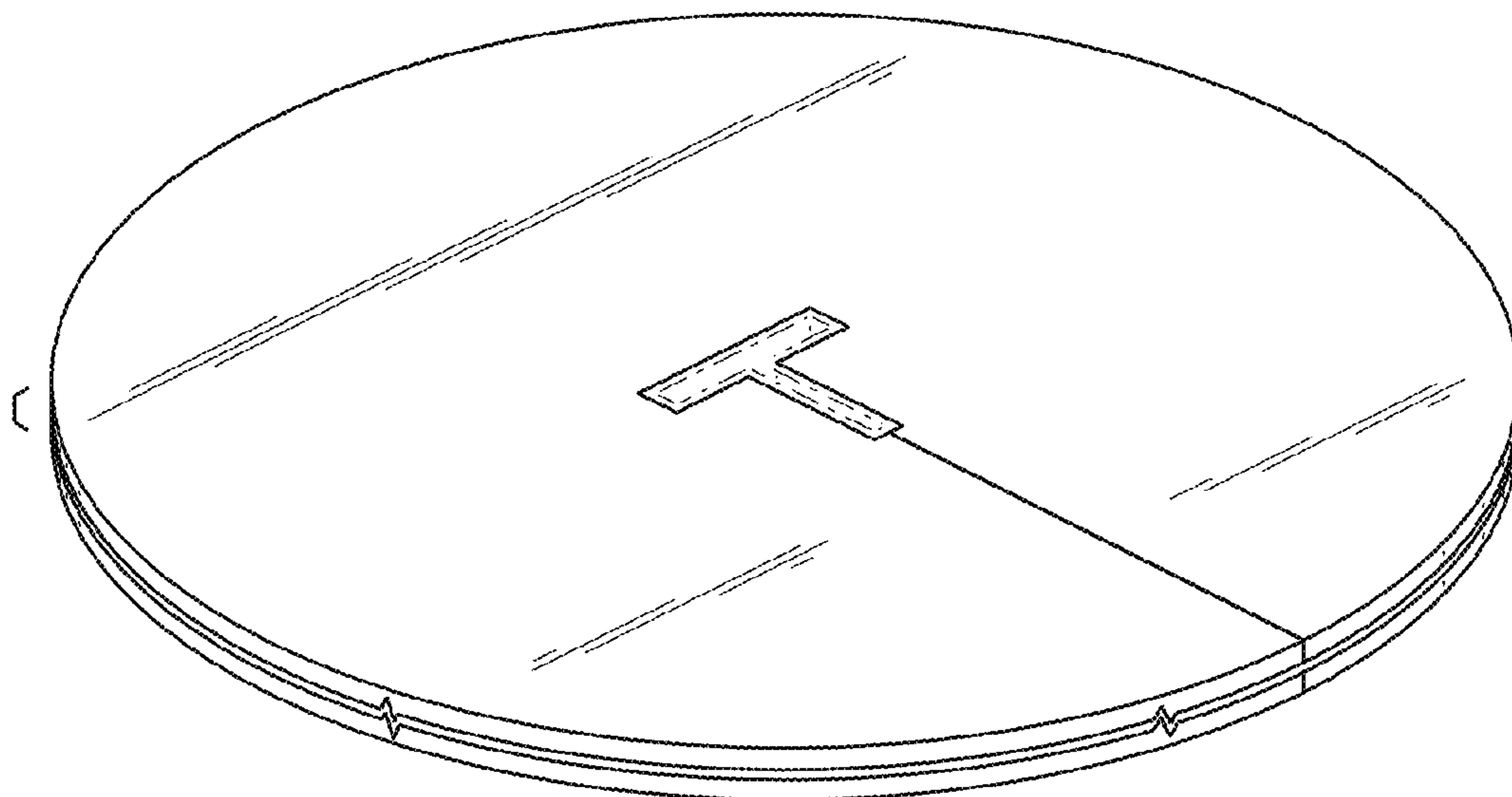
The ornamental design for a post ring, as shown and described.

DESCRIPTION

FIG. 1 is a front perspective view of a post ring, showing my new design;
 FIG. 2 is a front elevation view thereof;
 FIG. 3 is a rear elevation view thereof, the left and right side elevations being identical images thereof;
 FIG. 4 is a top plan view thereof; and,
 FIG. 5 is a front perspective view of the post ring, shown in use.
 The broken lines showing a post ring in FIG. 5 depicts environmental subject matter that forms no part of the claimed design.
 The post ring is shown with symbolic breaks in its lengths. The appearance of any portion of the article between the break lines forms no part of the claimed design.
 The dot-dash-dot broken lines in FIGS. 1 and 4 depict the bounds of the post ring and forms no part of the claimed design.

1 Claim, 3 Drawing Sheets

- (56) **References Cited**
U.S. PATENT DOCUMENTS
- 6,298,611 B1 * 10/2001 Oliver E02D 5/801 248/156
- 6,336,620 B1 * 1/2002 Belli E04F 11/1814 248/519
- 6,349,500 B1 * 2/2002 Popham A01G 13/0281 2/222
- 6,776,398 B1 * 8/2004 Tsai E01F 13/028 256/37
- 6,955,330 B1 * 10/2005 Weiser E04H 12/2261 248/529
- 7,896,307 B2 * 3/2011 Berg G09F 23/00 248/346.01



(56)

References Cited

U.S. PATENT DOCUMENTS

D824,543 S * 7/2018 Crawley D25/133
10,415,206 B1 * 9/2019 Henry E04H 12/2269
D875,954 S * 2/2020 Tarkington D24/189

* cited by examiner

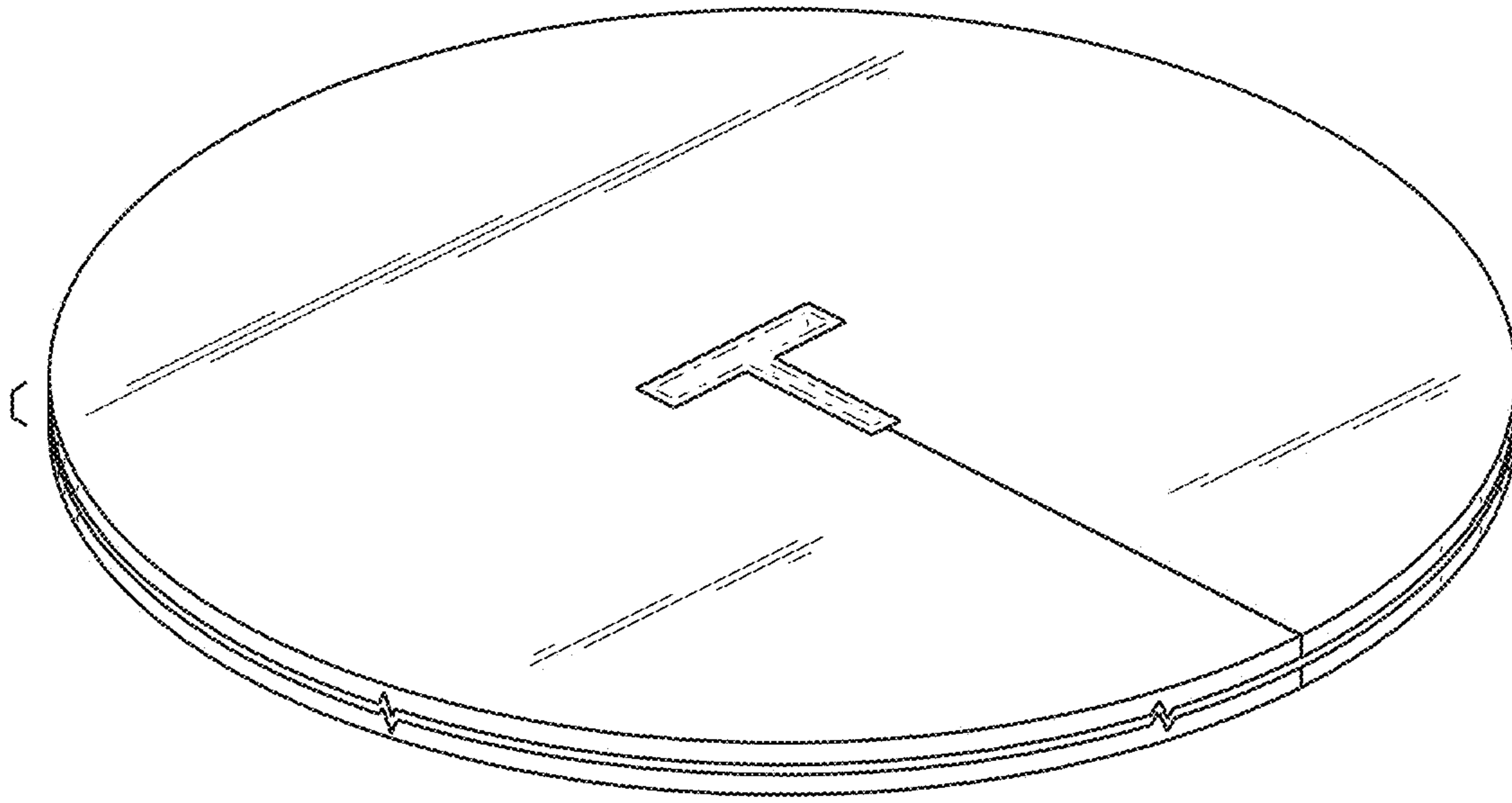


FIG. 1

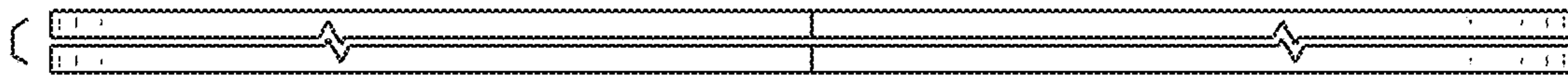


FIG. 2



FIG. 3

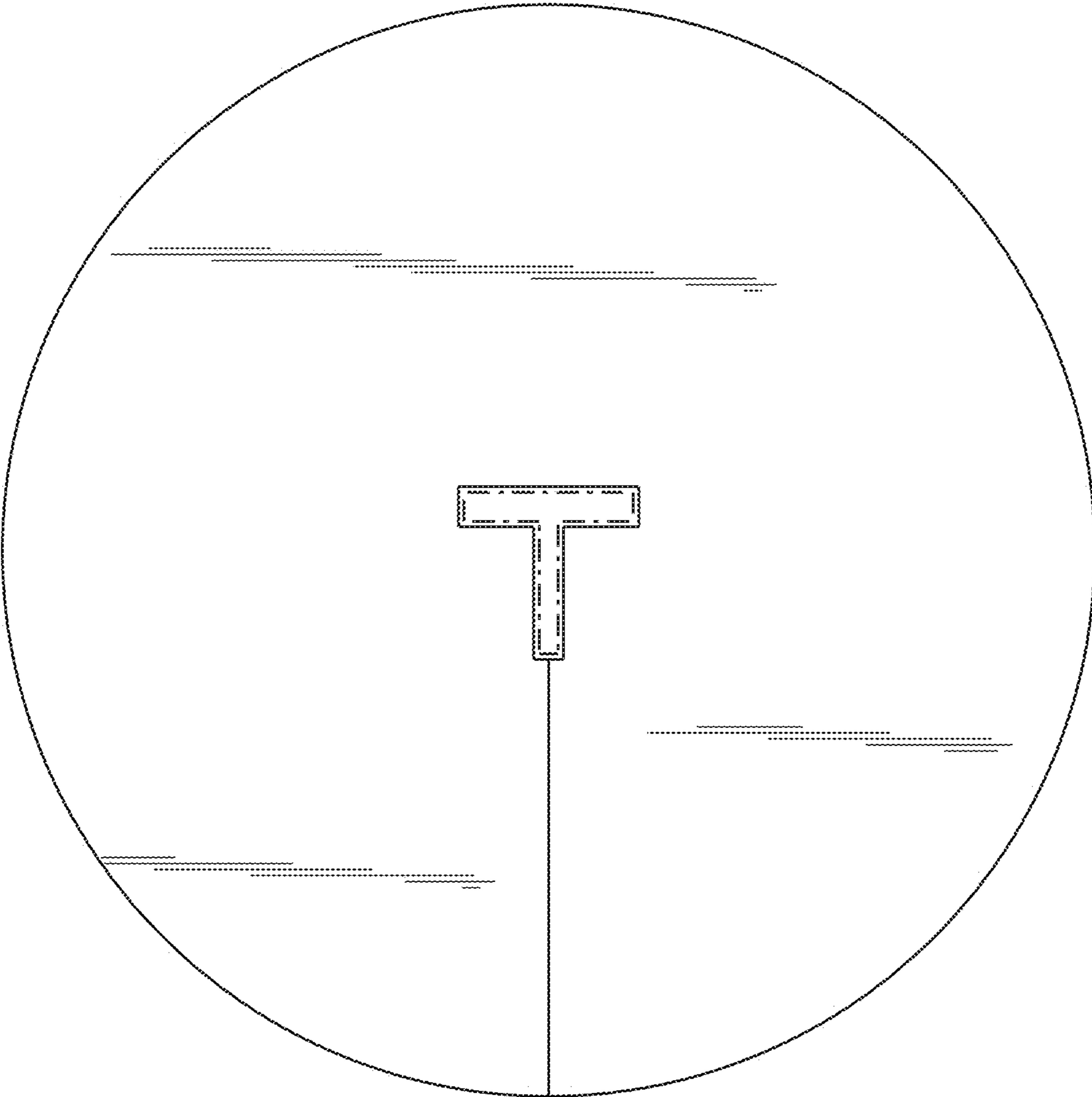


FIG. 4

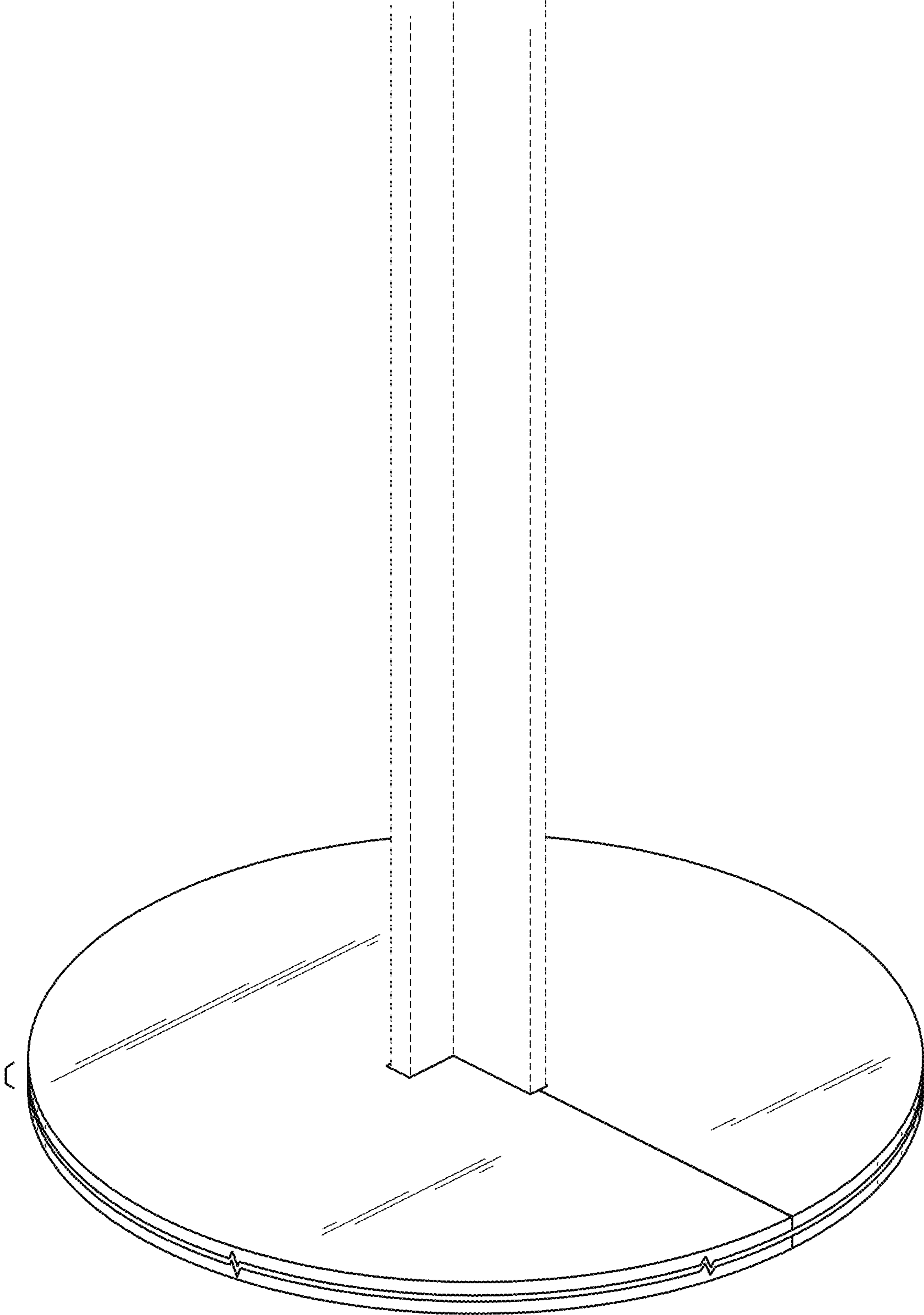


FIG. 5