



US00D894424S

(12) **United States Design Patent**
Livingston et al.

(10) **Patent No.:** **US D894,424 S**
(45) **Date of Patent:** **** Aug. 25, 2020**

- (54) **SAMPLE CONTAINER RACK**
- (71) Applicant: **Becton, Dickinson and Company**,
Franklin Lakes, NJ (US)
- (72) Inventors: **Dwight Livingston**, Fallston, MD (US);
Michael T. VanSickler, Columbia, MD (US)
- (73) Assignee: **Becton, Dickinson and Company**,
Franklin Lakes, NJ (US)
- (**) Term: **15 Years**
- (21) Appl. No.: **29/707,662**
- (22) Filed: **Sep. 30, 2019**

Related U.S. Application Data

- (60) Continuation of application No. 29/664,770, filed on Sep. 27, 2018, now Pat. No. Des. 865,994, which is a division of application No. 29/554,966, filed on Feb. 17, 2016, now Pat. No. Des. 836,794.
- (51) **LOC (12) Cl.** **24-02**
- (52) **U.S. Cl.**
USPC **D24/227**
- (58) **Field of Classification Search**
USPC D24/224, 216, 217, 219, 225–229,
D24/230–232; D9/755–758; 211/126.1;
422/549–553, 558, 916; 435/288.1,
435/288.4, 304.1
CPC B01L 9/06; B01L 9/065; B01L 3/00; B01L
3/14; B01L 3/50
See application file for complete search history.

(56) **References Cited**

U.S. PATENT DOCUMENTS

- D245,118 S 7/1977 Heaton
- 4,389,374 A 6/1983 Sutton et al.
- 4,963,493 A 10/1990 Daftisios
- D339,869 S 9/1993 Schea, III et al.

- 5,508,005 A 4/1996 Mathus
 - D402,411 S 12/1998 Radler
 - D411,308 S 6/1999 Pandey et al.
 - D414,271 S 9/1999 Mendoza
 - D448,854 S 10/2001 Kuiper et al.
- (Continued)

OTHER PUBLICATIONS

U.S. Appl. No. 29/554,962, filed Feb. 17, 2016, titled “Sample Container Rack”.

(Continued)

Primary Examiner — Susan Bennett Hattan
Assistant Examiner — Rebecca Tsehaye
(74) *Attorney, Agent, or Firm* — Lerner, David,
Littenberg, Krumholz & Mentlik, LLP

(57) **CLAIM**

The ornamental design for a sample container rack, as shown and described.

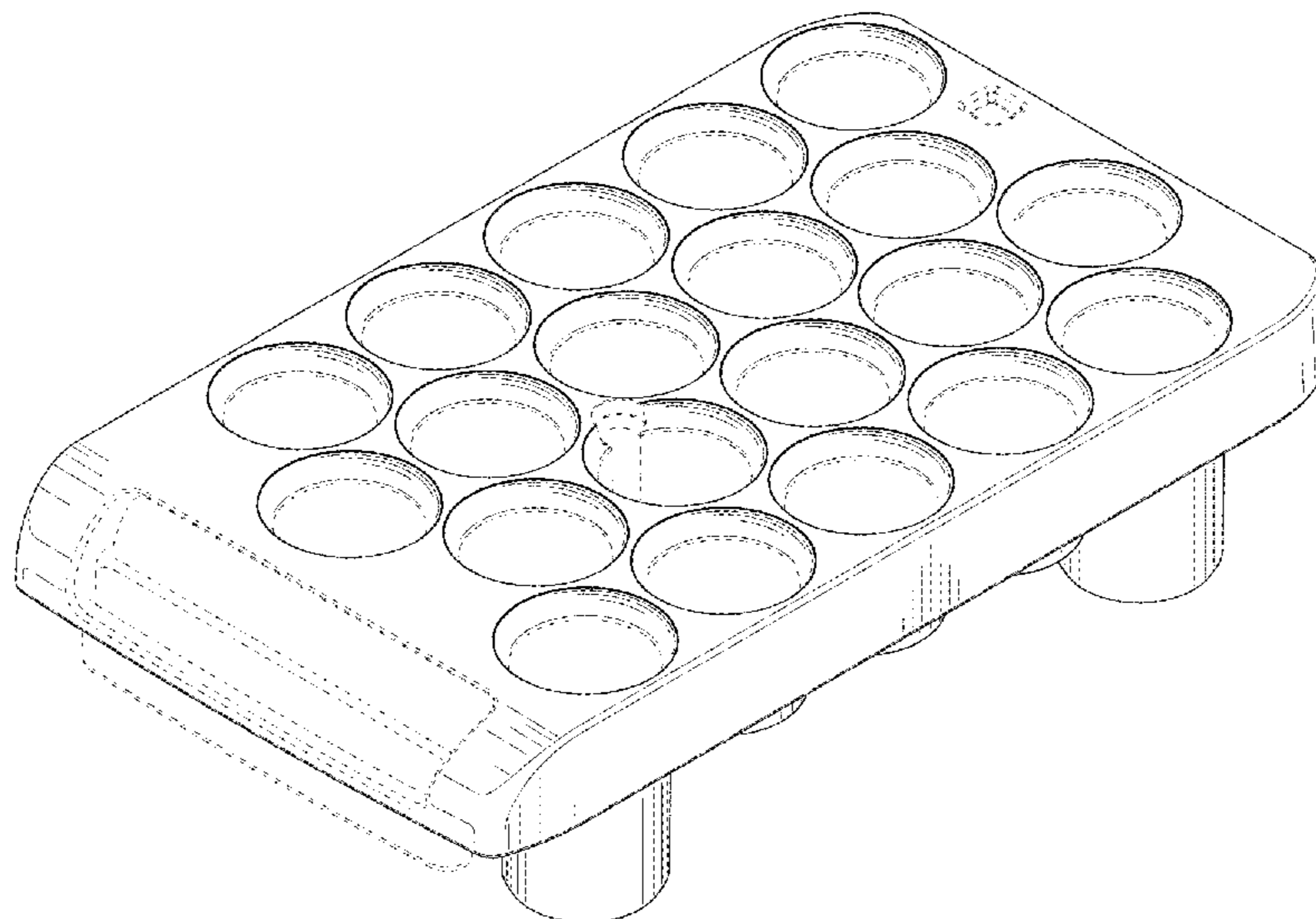
DESCRIPTION

The present application is also related to U.S. Design patent application Ser. No. 29/554,962, also entitled Sample Container Rack and filed on Feb. 17, 2016, as well as U.S. Design patent application Ser. No. 29/554,968, also entitled Sample Container Rack and filed on Feb. 17, 2016, the disclosures all of which are incorporated herein by reference.

FIG. 1 is a front perspective view of a sample container rack according to our design;
FIG. 2 is a front elevation view thereof;
FIG. 3 is a rear elevation view thereof;
FIG. 4 is a left side elevation view thereof;
FIG. 5 is a right side elevation view thereof;
FIG. 6 is a top plan view thereof; and,
FIG. 7 is a bottom plan view thereof.

The broken lines illustrate unclaimed environmental structure and form no part of the claimed design.

1 Claim, 5 Drawing Sheets



(56)

References Cited

U.S. PATENT DOCUMENTS

D587,109 S 2/2009 Lyon et al.
 D629,122 S 12/2010 Karpiloff
 D639,447 S 6/2011 Karpiloff
 D653,767 S * 2/2012 Lovshe D24/230
 8,142,740 B2 3/2012 Self et al.
 D699,371 S 2/2014 Williams et al.
 D709,323 S 7/2014 Brown
 D710,024 S 7/2014 Guo
 8,808,650 B1 8/2014 Iqbal et al.
 D734,867 S 7/2015 Smeja
 D736,403 S 8/2015 Hudson et al.
 D739,680 S 9/2015 Smeja
 D767,164 S 9/2016 Schimmel et al.
 D792,735 S 7/2017 Henry
 D808,540 S * 1/2018 Johns D24/227
 D812,243 S 3/2018 Johns et al.
 D826,426 S * 8/2018 Muller D24/230
 D827,149 S * 8/2018 Self D24/224
 D832,454 S 10/2018 Livingston et al.
 D836,794 S 12/2018 Livingston et al.
 D836,795 S 12/2018 Livingston et al.
 D843,014 S * 3/2019 Johns D24/227

D844,806 S * 4/2019 Johns D24/227
 D862,728 S * 10/2019 Livingston D24/227
 D862,729 S * 10/2019 Livingston D24/227
 D865,994 S * 11/2019 Livingston D24/227
 D875,272 S * 2/2020 Muller D24/224
 D878,623 S * 3/2020 Self D24/224
 2014/0140804 A1 5/2014 Focke et al.

OTHER PUBLICATIONS

U.S. Appl. No. 29/664,950, filed Sep. 28, 2018, titled "Sample Container Rack".
 U.S. Appl. No. 29/664,939, filed Sep. 28, 2018, titled "Sample Container Rack".
 U.S. Appl. No. 29/664,770, filed Sep. 27, 2018, titled "Sample Container Rack".
 U.S. Appl. No. 29/554,966, filed Feb. 17, 2016, titled "Sample Container Rack".
 U.S. Appl. No. 29/554,968, filed Feb. 17, 2016, titled "Sample Container Rack".
 U.S. Appl. No. 29/664,772, filed Sep. 27, 2018, titled "Sample Container Rack".

* cited by examiner

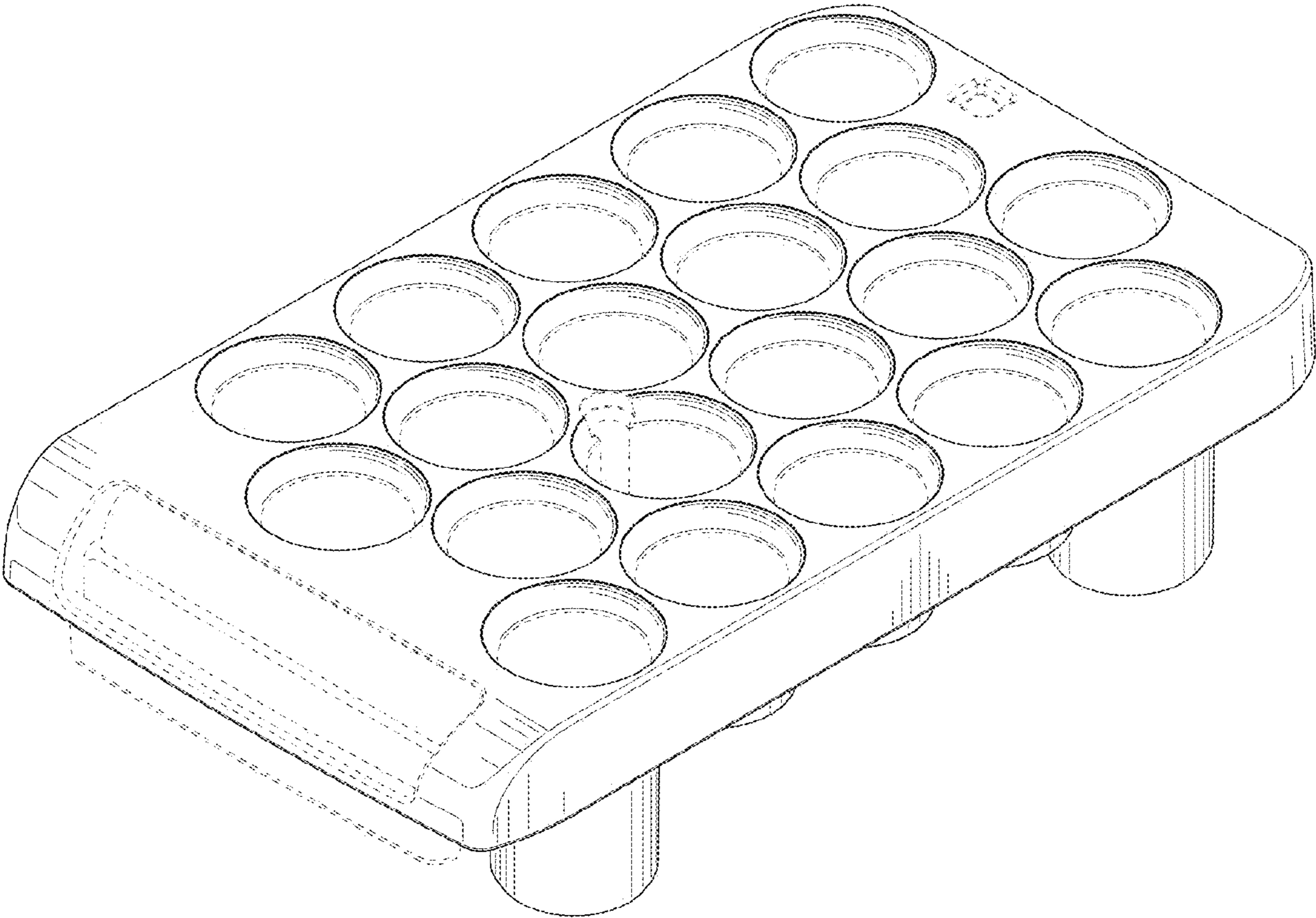


FIG. 1

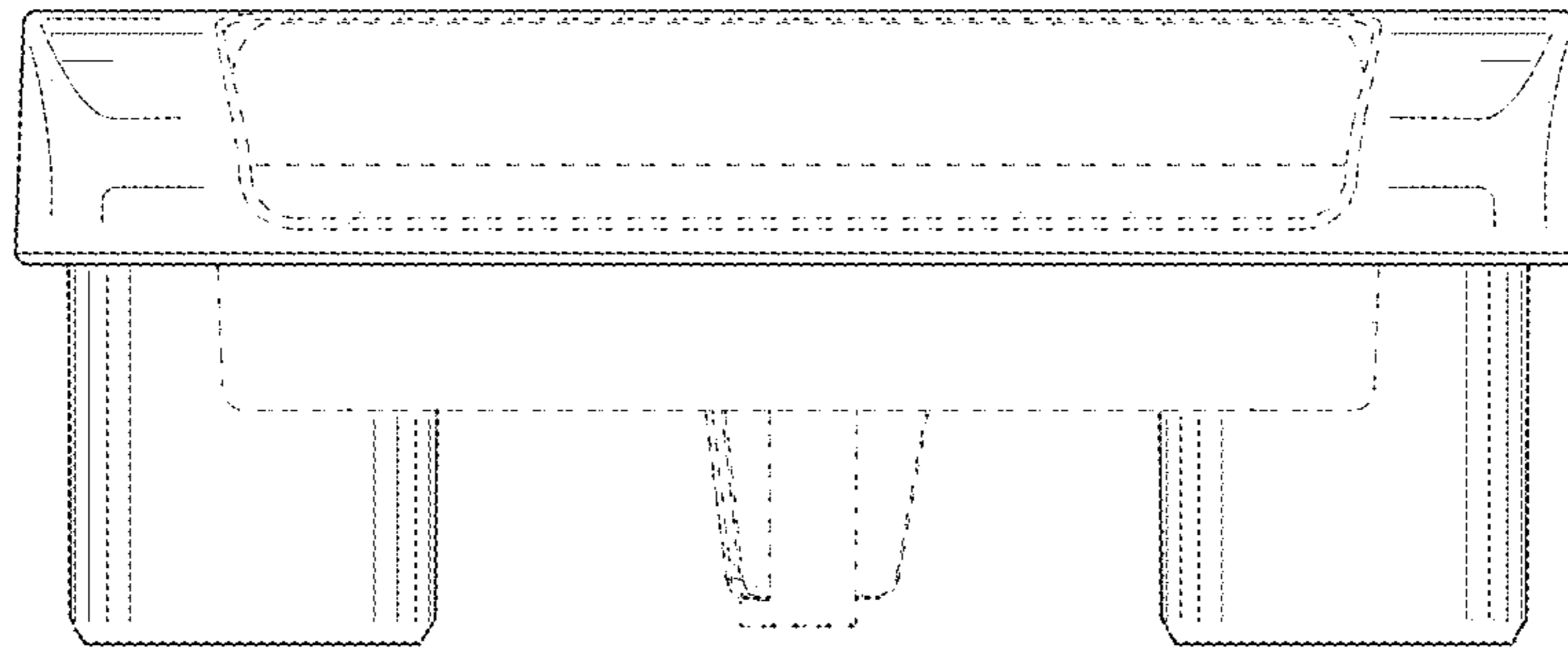


FIG. 2

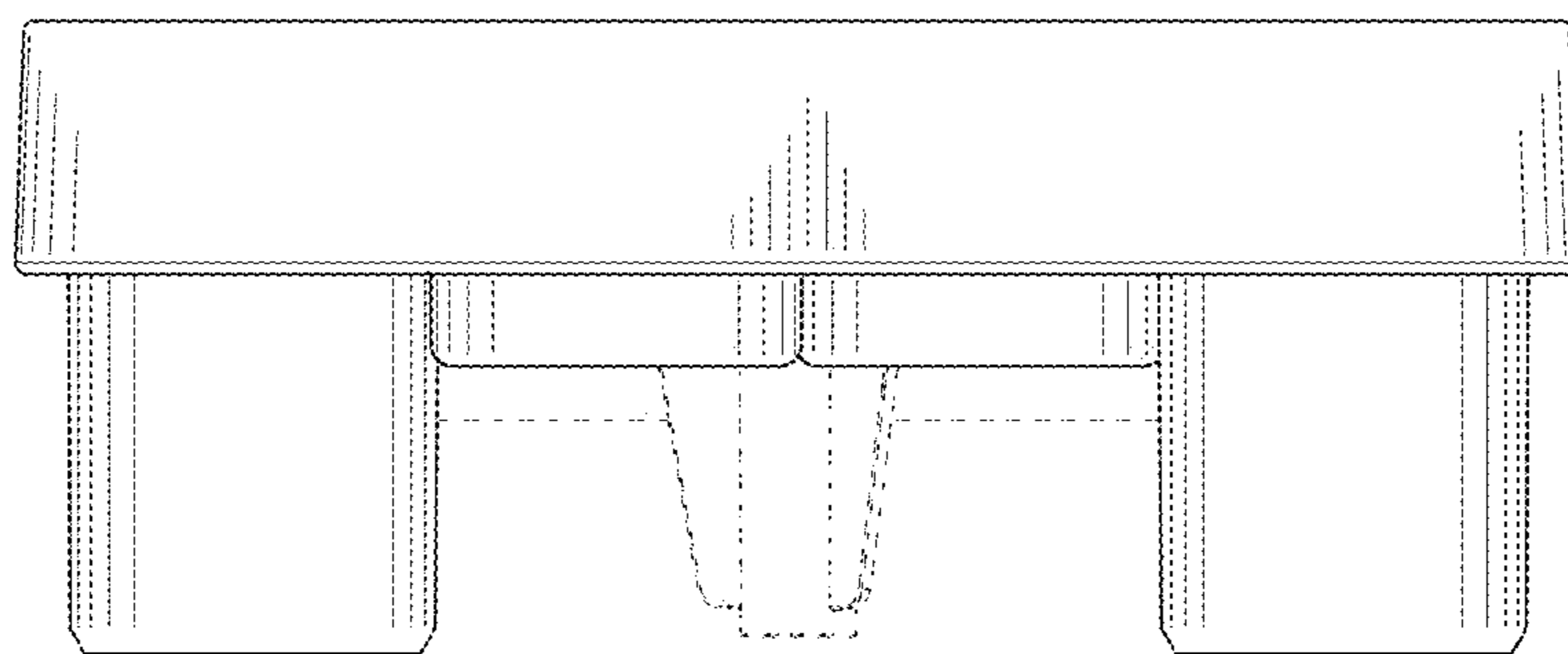


FIG. 3

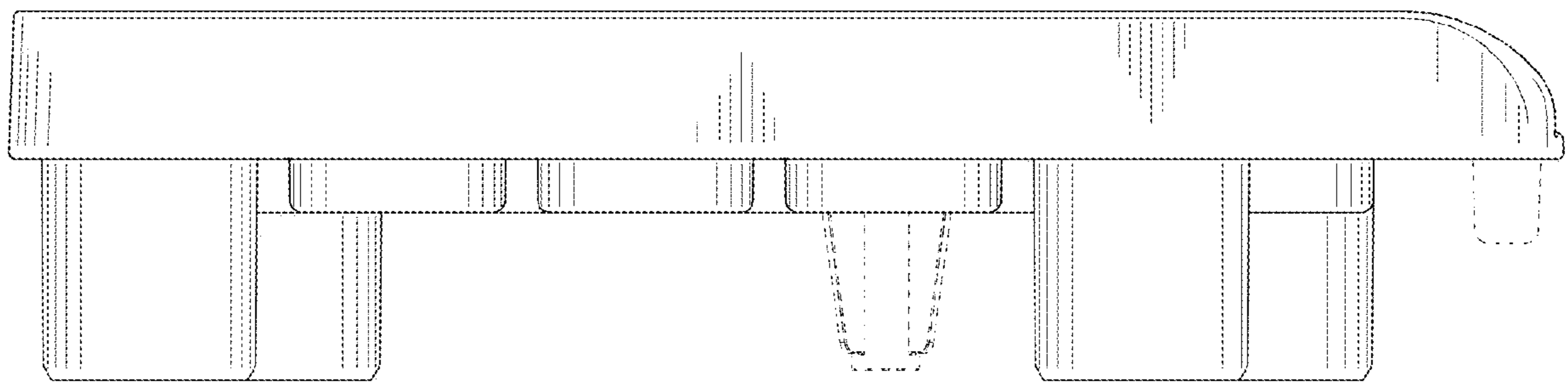


FIG. 4

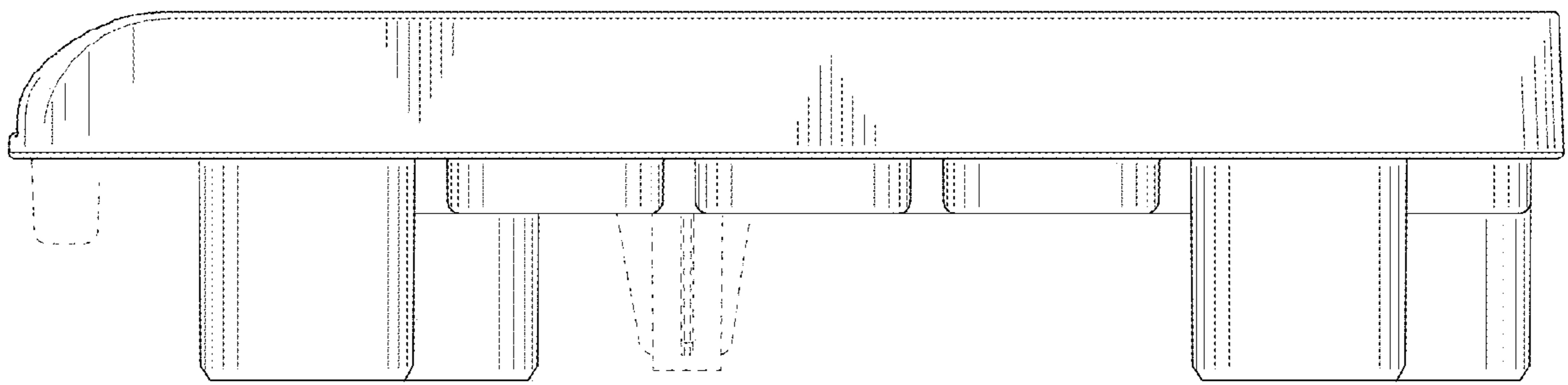


FIG. 5

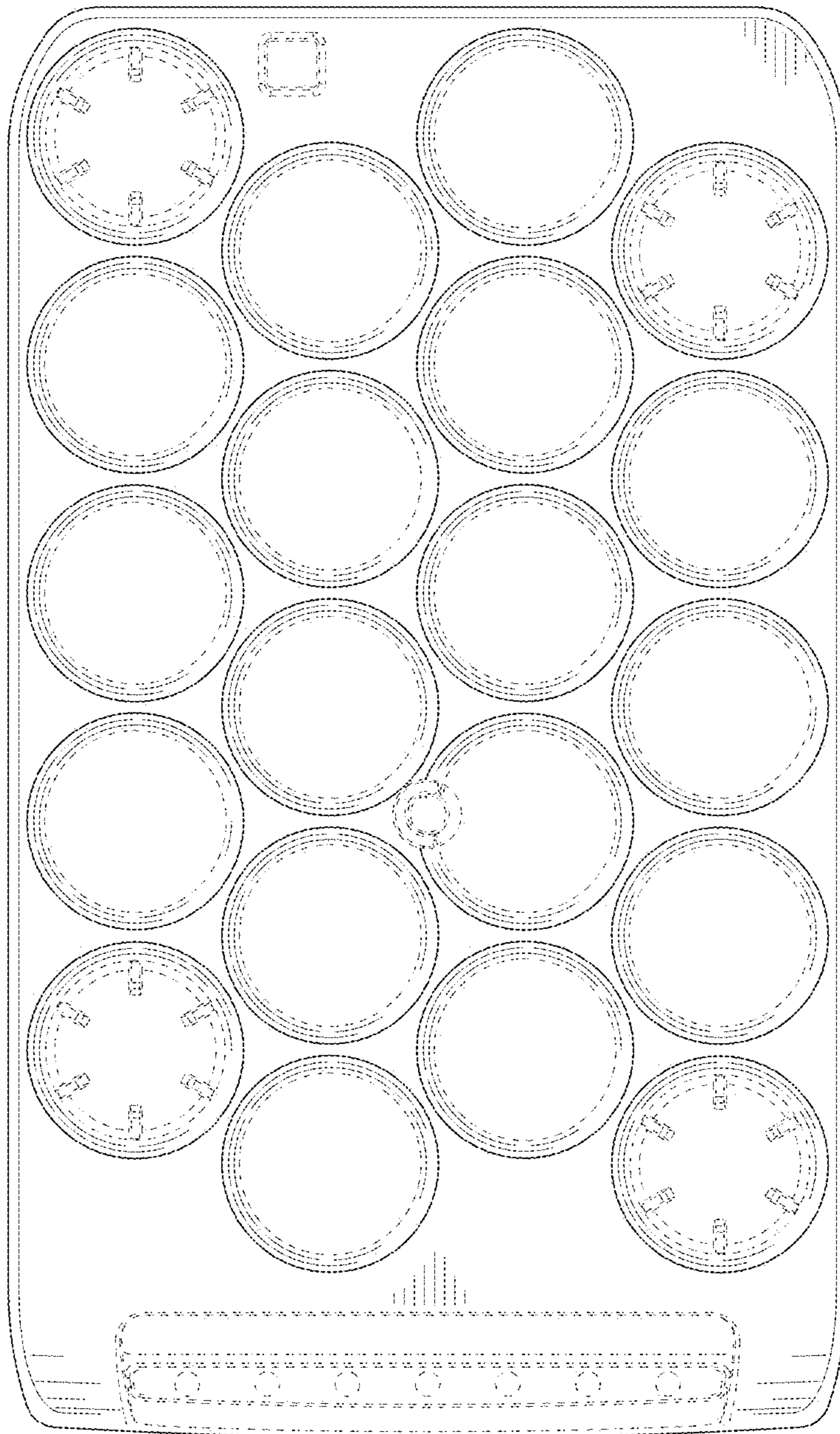


FIG. 6

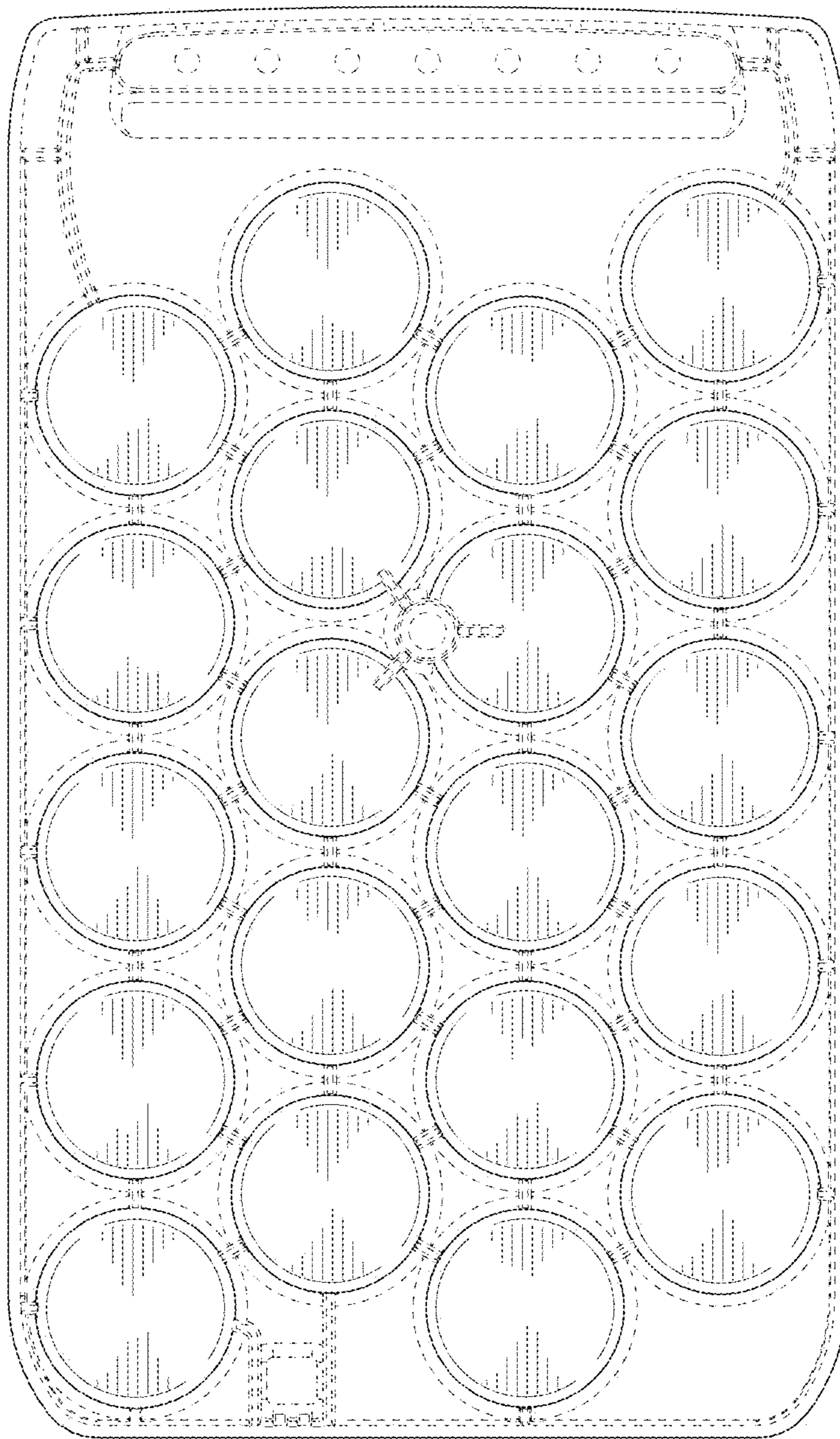


FIG. 7