



US00D894423S

(12) **United States Design Patent**
Bantug et al.

(10) **Patent No.:** **US D894,423 S**

(45) **Date of Patent:** **** Aug. 25, 2020**

(54) **VIAL SLEEVE**

6,971,506 B2 * 12/2005 Hassinen G01N 35/04
198/803.14

(71) Applicant: **AMGEN INC.**, Thousand Oaks, CA
(US)

D637,311 S * 5/2011 Isobe D24/227
D637,312 S * 5/2011 Isobe D24/227

7,988,004 B1 * 8/2011 Marret B65D 47/242
215/252

(72) Inventors: **Anthony Bantug**, Woodland Hills, CA
(US); **Wael Mismar**, Redondo Beach,
CA (US); **Kenneth Tan**, Canoga Park,
CA (US); **Tark Abed**, Mountain View,
CA (US); **Justin Allen Marsh**, San
Mateo, CA (US); **Mario Bogdan**, Palo
Alto, CA (US); **Scott Comiso**, Menlo
Park, CA (US)

(Continued)

Primary Examiner — Leanne Was-Englehart

(74) *Attorney, Agent, or Firm* — Marshall, Gerstein &
Borun LLP

(73) Assignee: **AMGEN INC.**, Thousand Oaks, CA
(US)

(57) **CLAIM**

The ornamental design for a vial sleeve, as shown and
described.

(**) Term: **15 Years**

DESCRIPTION

(21) Appl. No.: **29/657,240**

(22) Filed: **Jul. 20, 2018**

Related U.S. Application Data

(62) Division of application No. 29/584,475, filed on Nov.
15, 2016, now Pat. No. Des. 827,153.

(51) **LOC (12) Cl.** **24-02**

(52) **U.S. Cl.**
USPC **D24/227**

(58) **Field of Classification Search**
USPC D24/108, 127–130, 216, 218, 224–232
CPC B65G 17/002; B65G 2201/02; G01N
35/00732; G01N 35/04; B01L 9/06
See application file for complete search history.

FIG. 1 is a perspective view of a vial sleeve including a label
disposed on the vial sleeve;
FIG. 2 is a front view of the vial sleeve of FIG. 1;
FIG. 3 is a rear view of the vial sleeve of FIG. 1;
FIG. 4 is a left-side view of the vial sleeve of FIG. 1;
FIG. 5 is a right-side view of the vial sleeve of FIG. 1;
FIG. 6 is a top view of the vial sleeve of FIG. 1;
FIG. 7 is a bottom view of the vial sleeve of FIG. 1;
FIG. 8 is a perspective view of the vial sleeve of FIGS. 1-7
disposed on a vial;
FIG. 9 is a perspective view of a vial sleeve including a label
disposed on the vial sleeve;
FIG. 10 is a front view of the vial sleeve of FIG. 9;
FIG. 11 is a rear view of the vial sleeve of FIG. 9;
FIG. 12 is a left-side view of the vial sleeve of FIG. 9;
FIG. 13 is a right-side view of the vial sleeve of FIG. 9;
FIG. 14 is a top view of the vial sleeve of FIG. 9;
FIG. 15 is a bottom view of the vial sleeve of FIG. 9; and,
FIG. 16 is a perspective view of the vial sleeve of FIGS. 9-15
disposed on a vial.

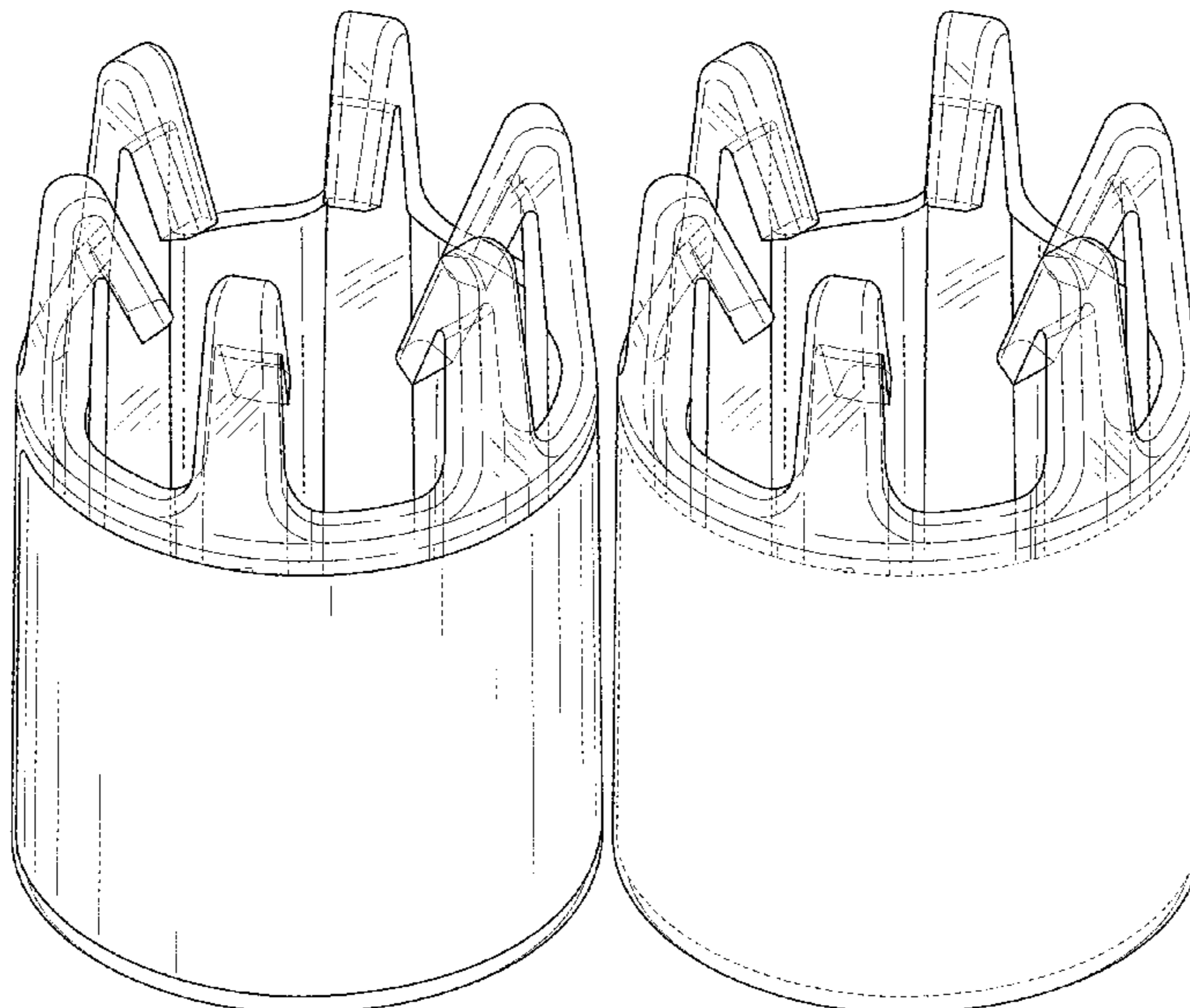
The dashed lines are included for the purpose of illustrating
environment and form no part of the claimed design.

(56) **References Cited**

U.S. PATENT DOCUMENTS

D414,273 S * 9/1999 Smith D24/128
6,343,690 B1 * 2/2002 Britton B65G 17/002
198/803.6

1 Claim, 14 Drawing Sheets



(56)

References Cited

U.S. PATENT DOCUMENTS

D704,052	S *	5/2014	Yoshii	D9/435
D717,430	S *	11/2014	Shiraishi	D24/130
D732,685	S *	6/2015	Lavi	D24/227
D827,153	S *	8/2018	Bantug	D24/227
2005/0207945	A1 *	9/2005	Itoh	B01L 9/06
				422/562
2014/0008321	A1 *	1/2014	Lentz	B65D 47/36
				215/257

* cited by examiner

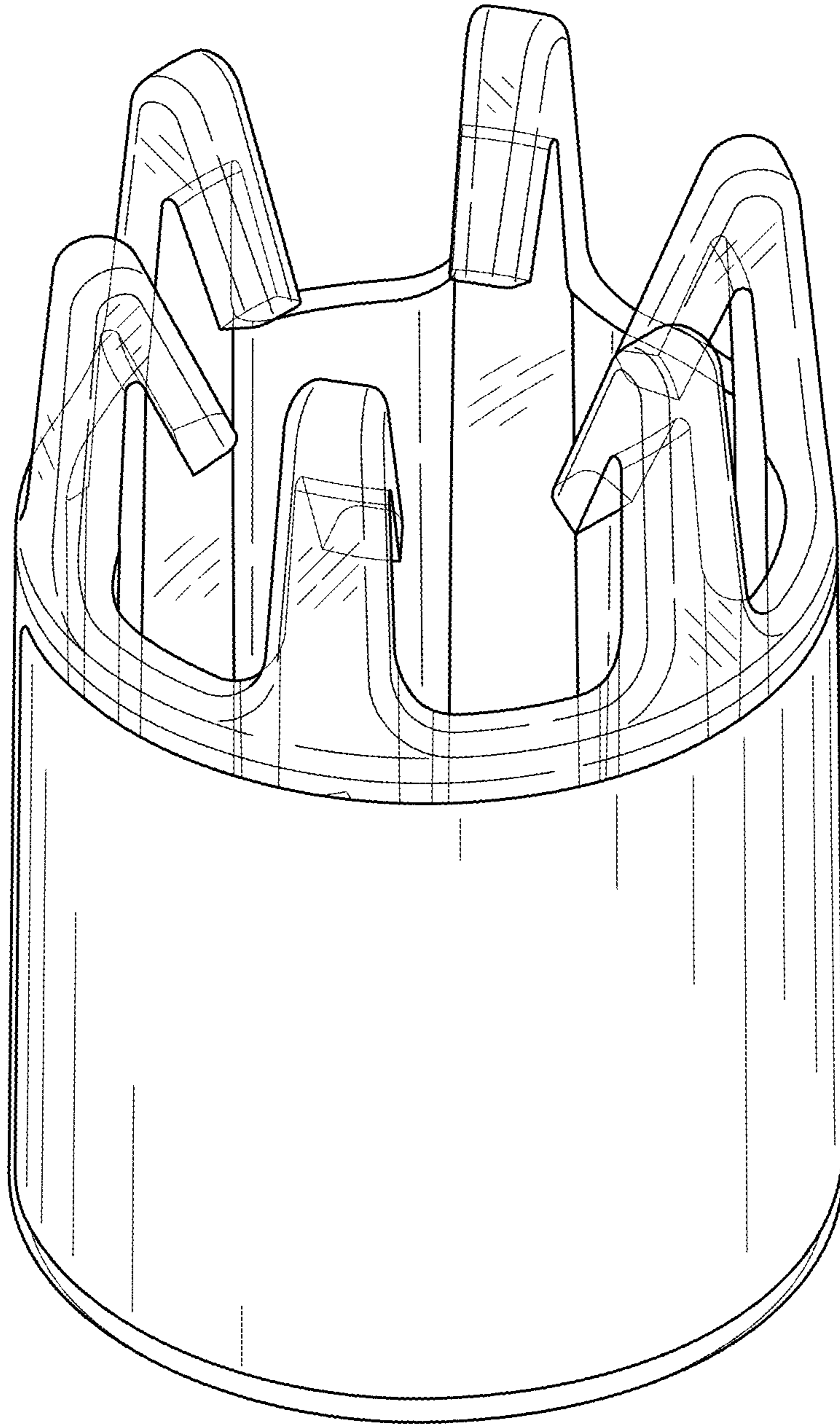


FIG. 1

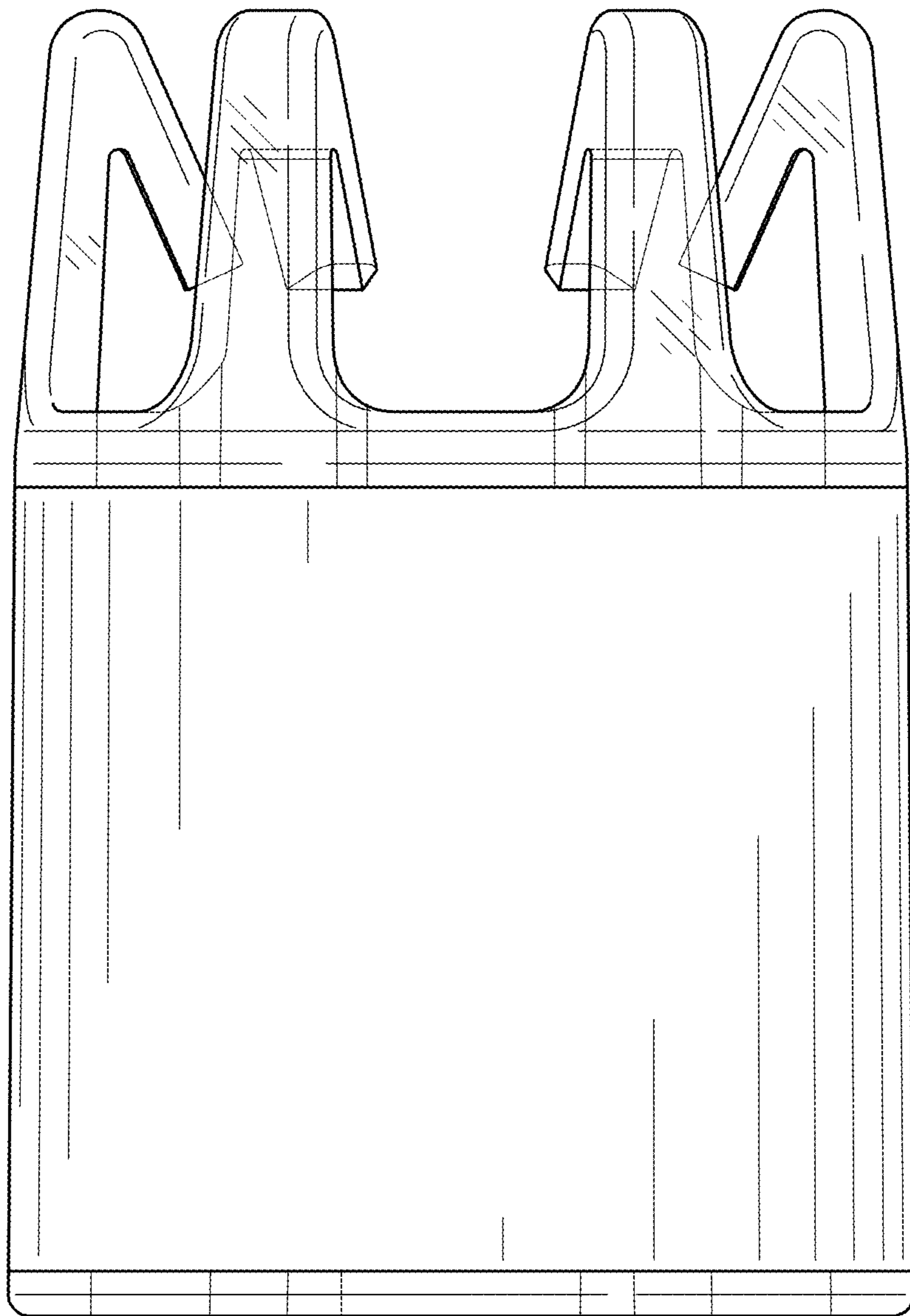


FIG. 2

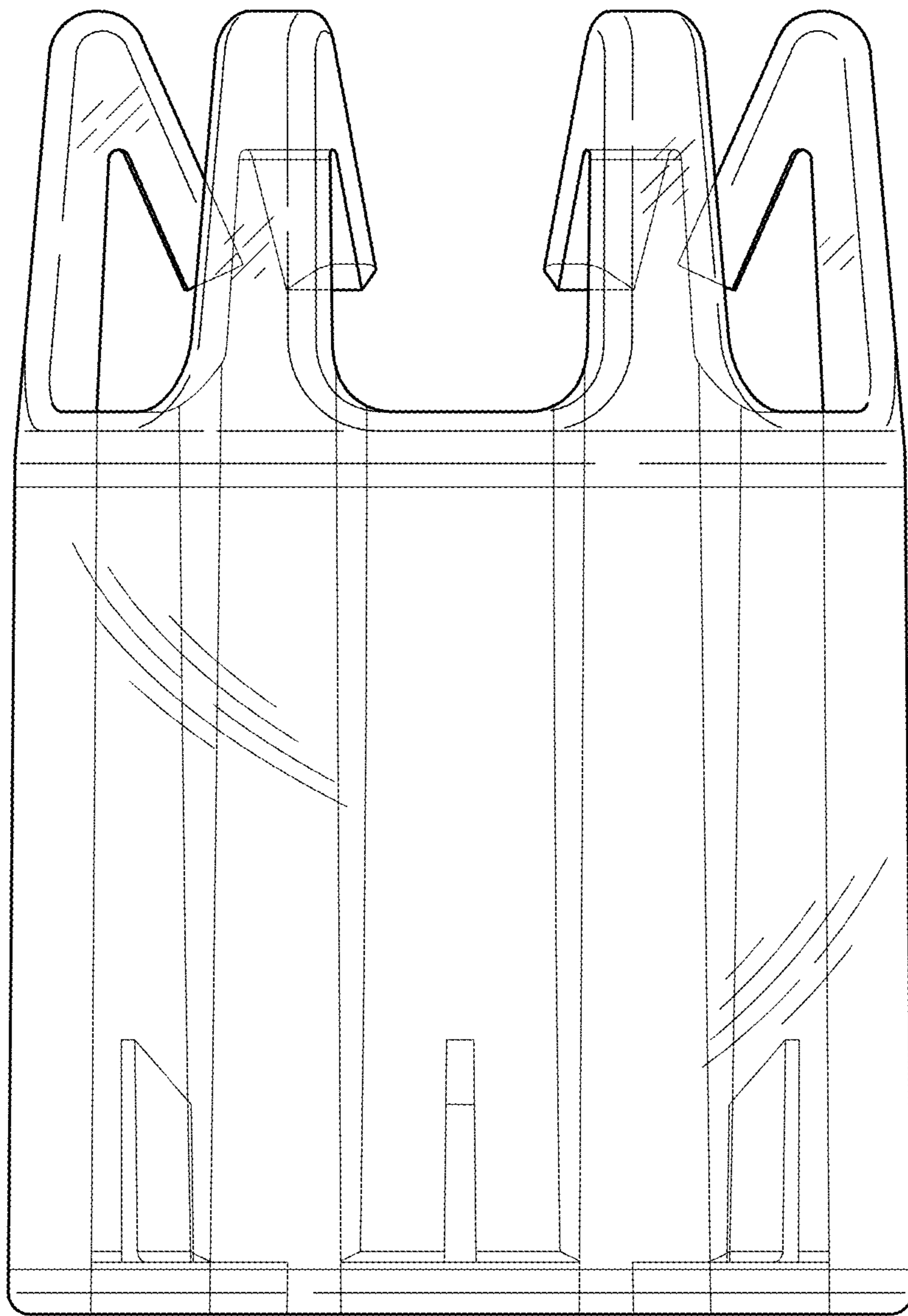


FIG. 3

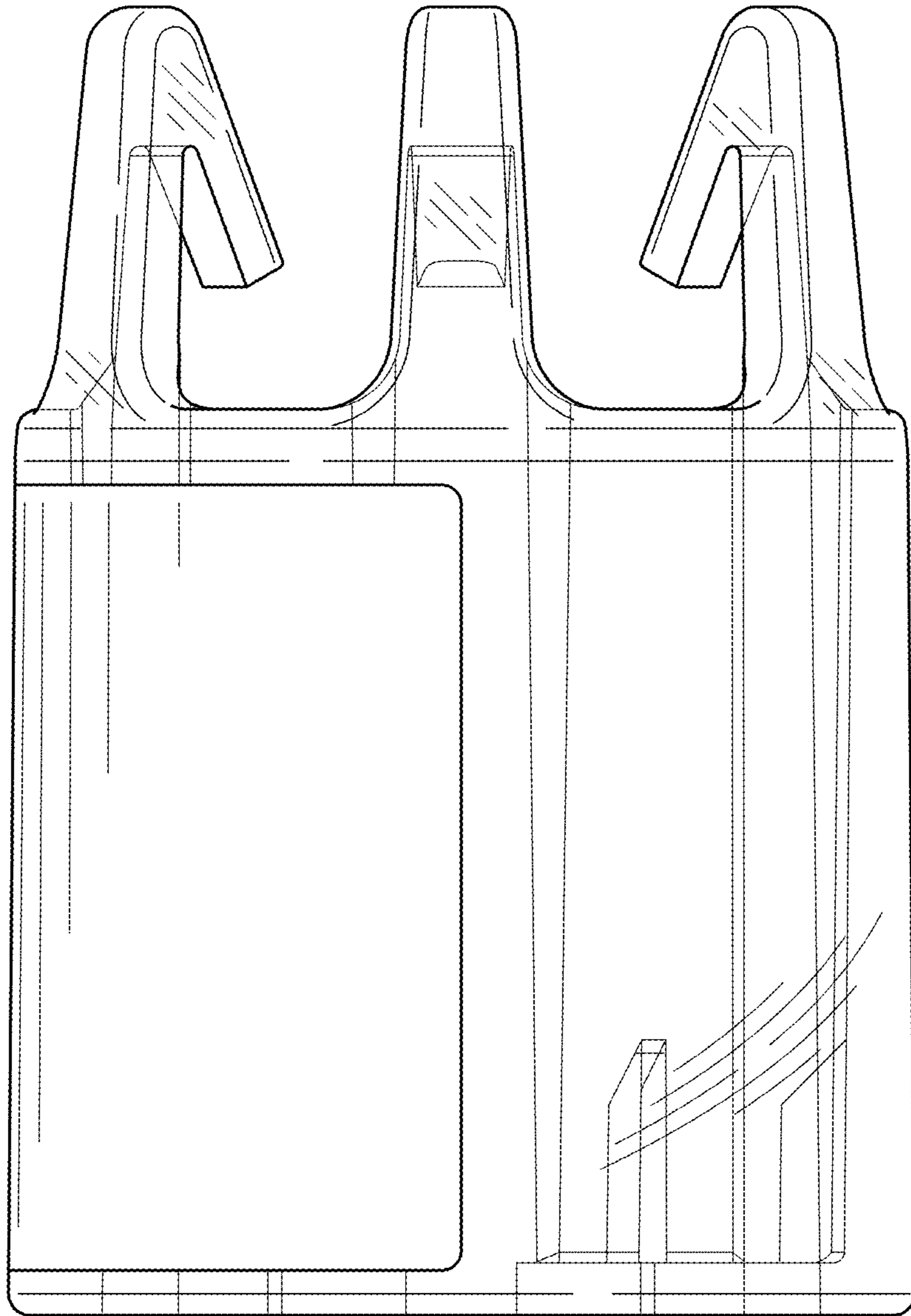


FIG. 4

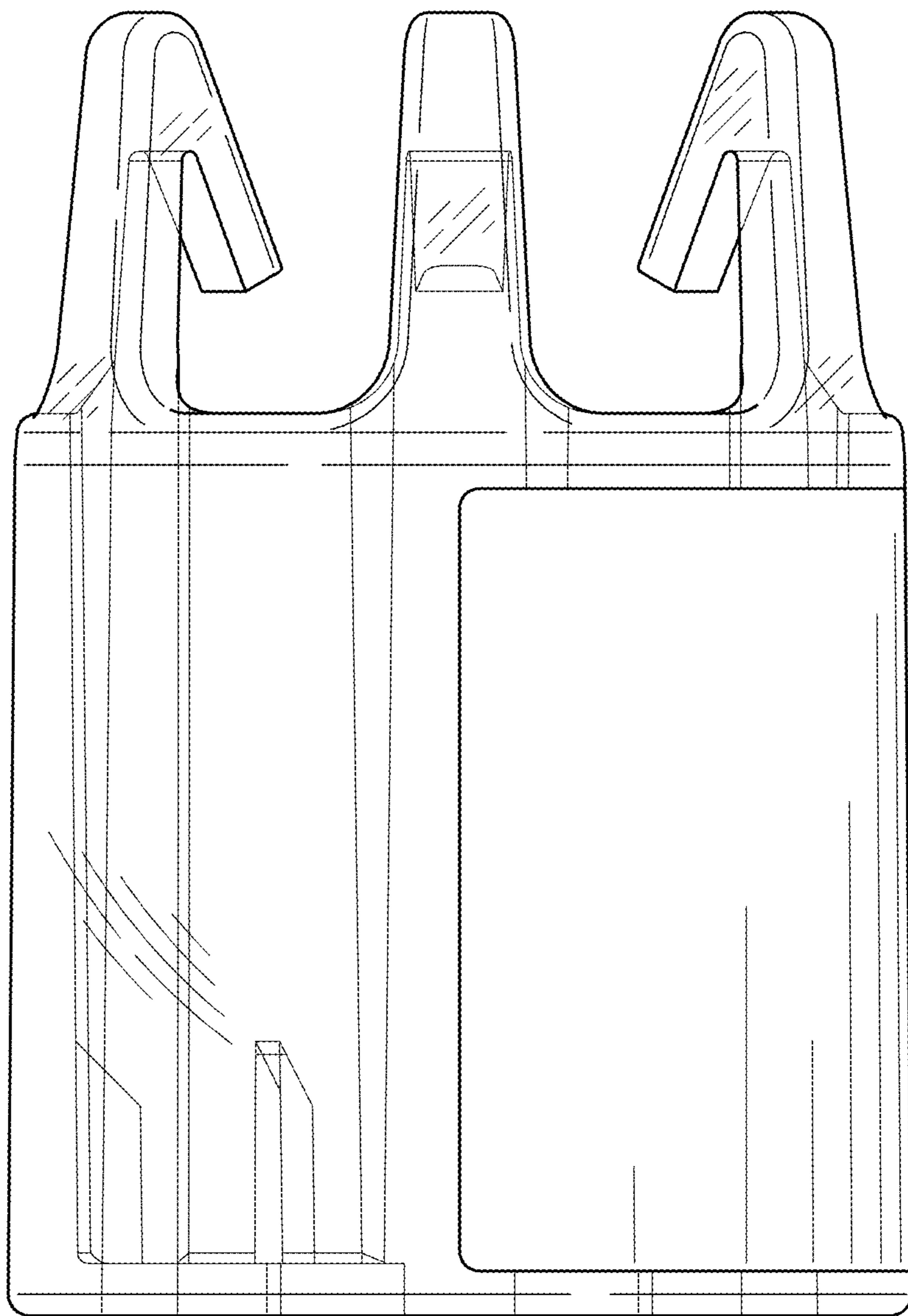


FIG. 5

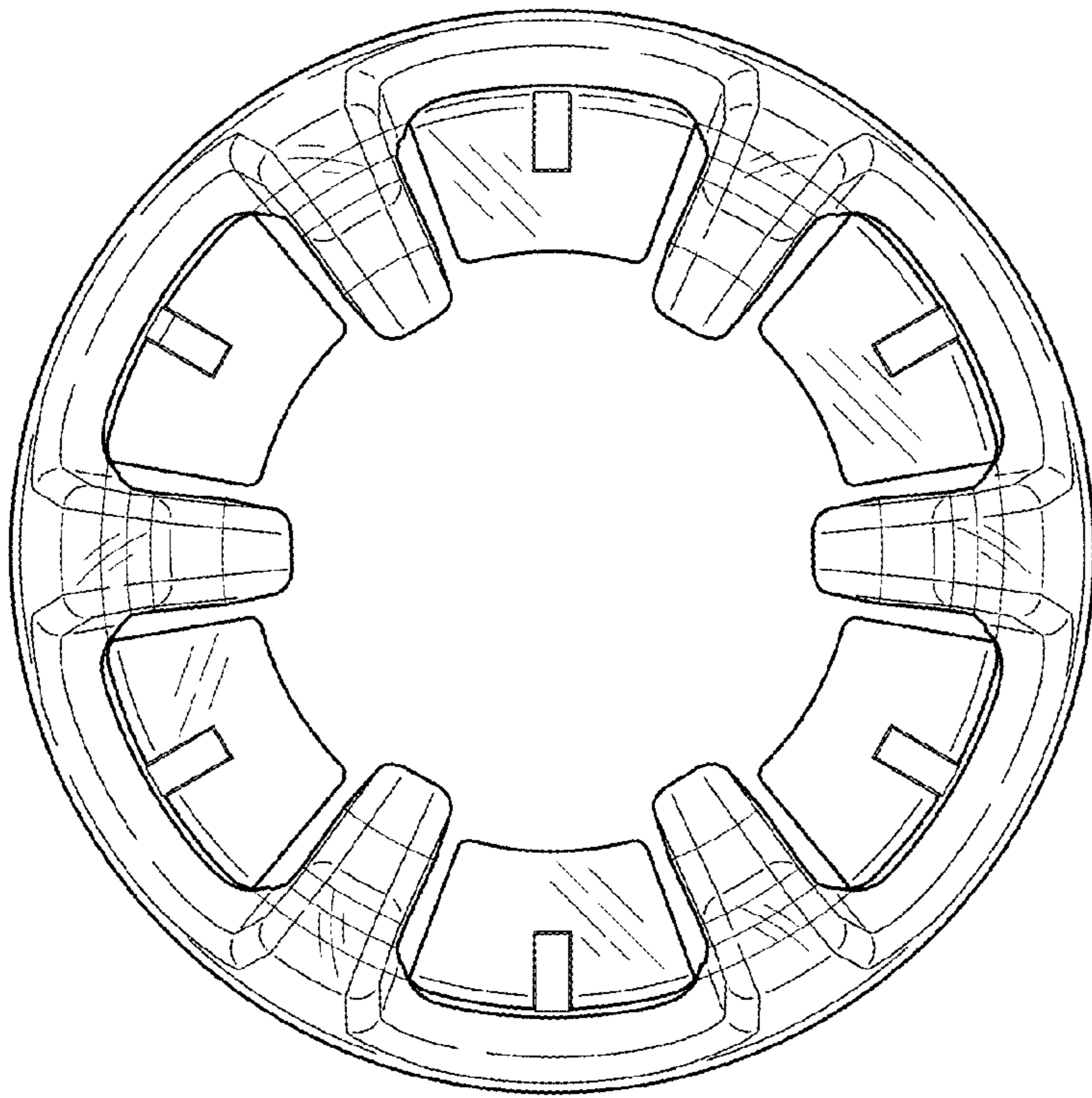


FIG. 6

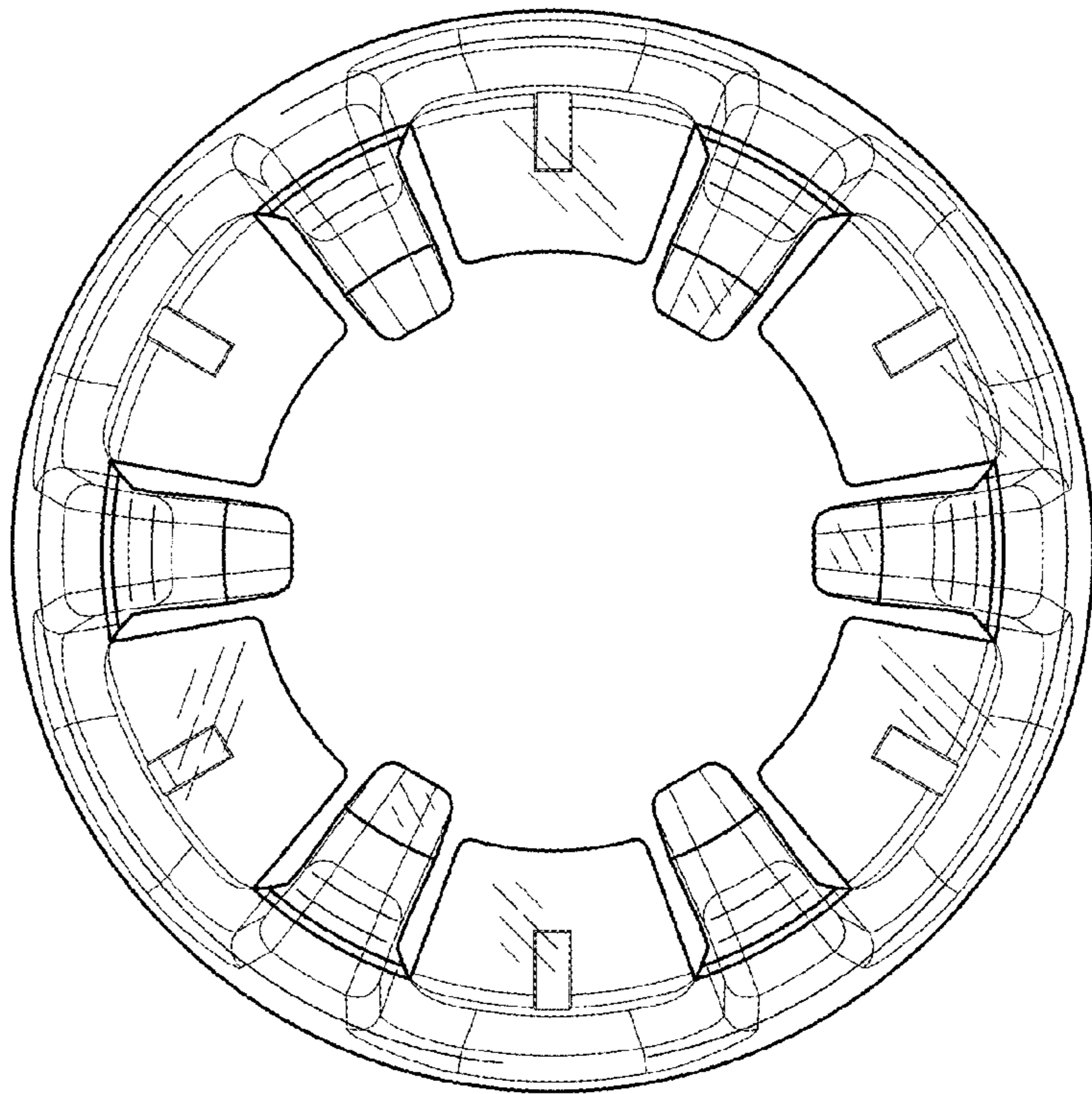


FIG. 7

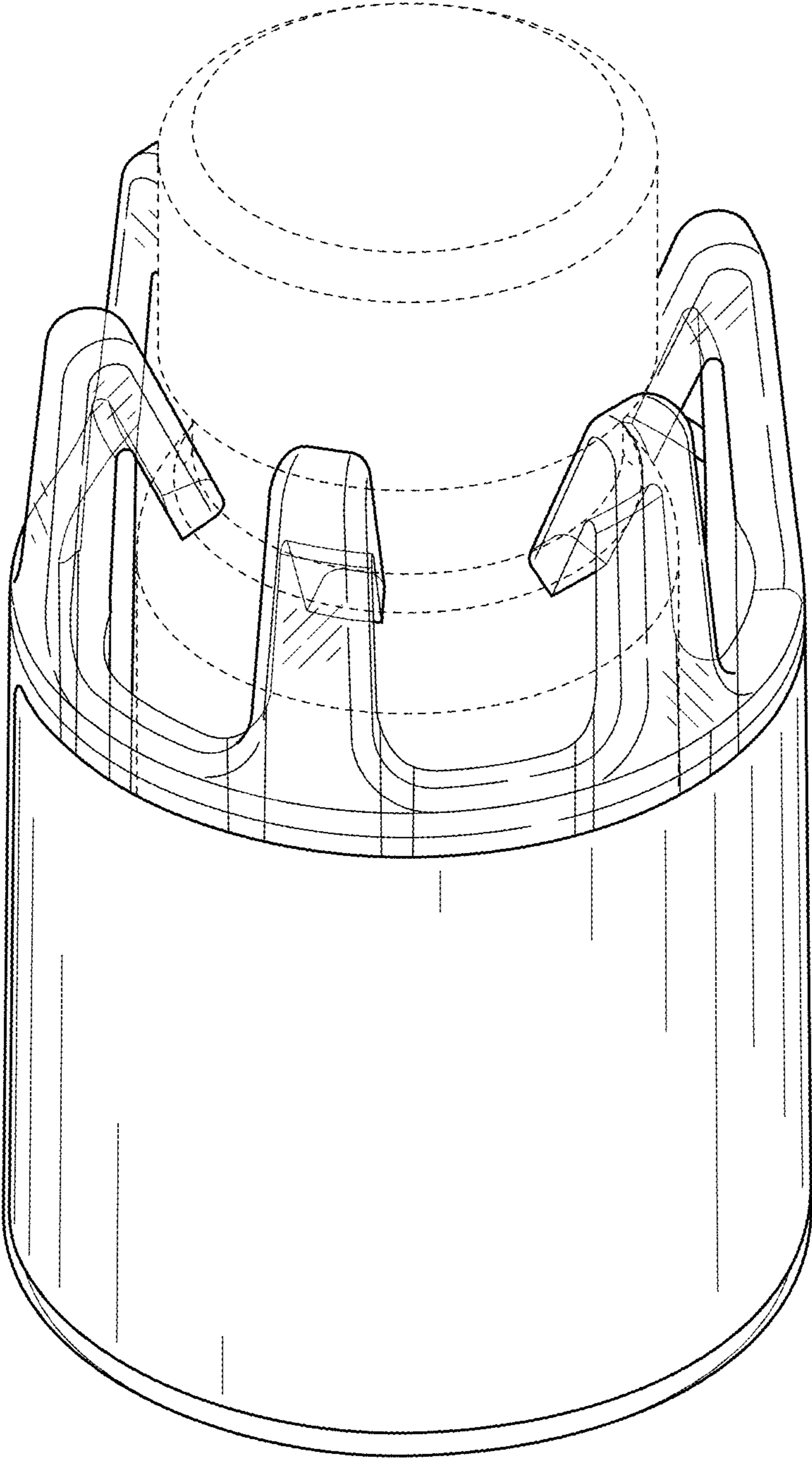


FIG. 8

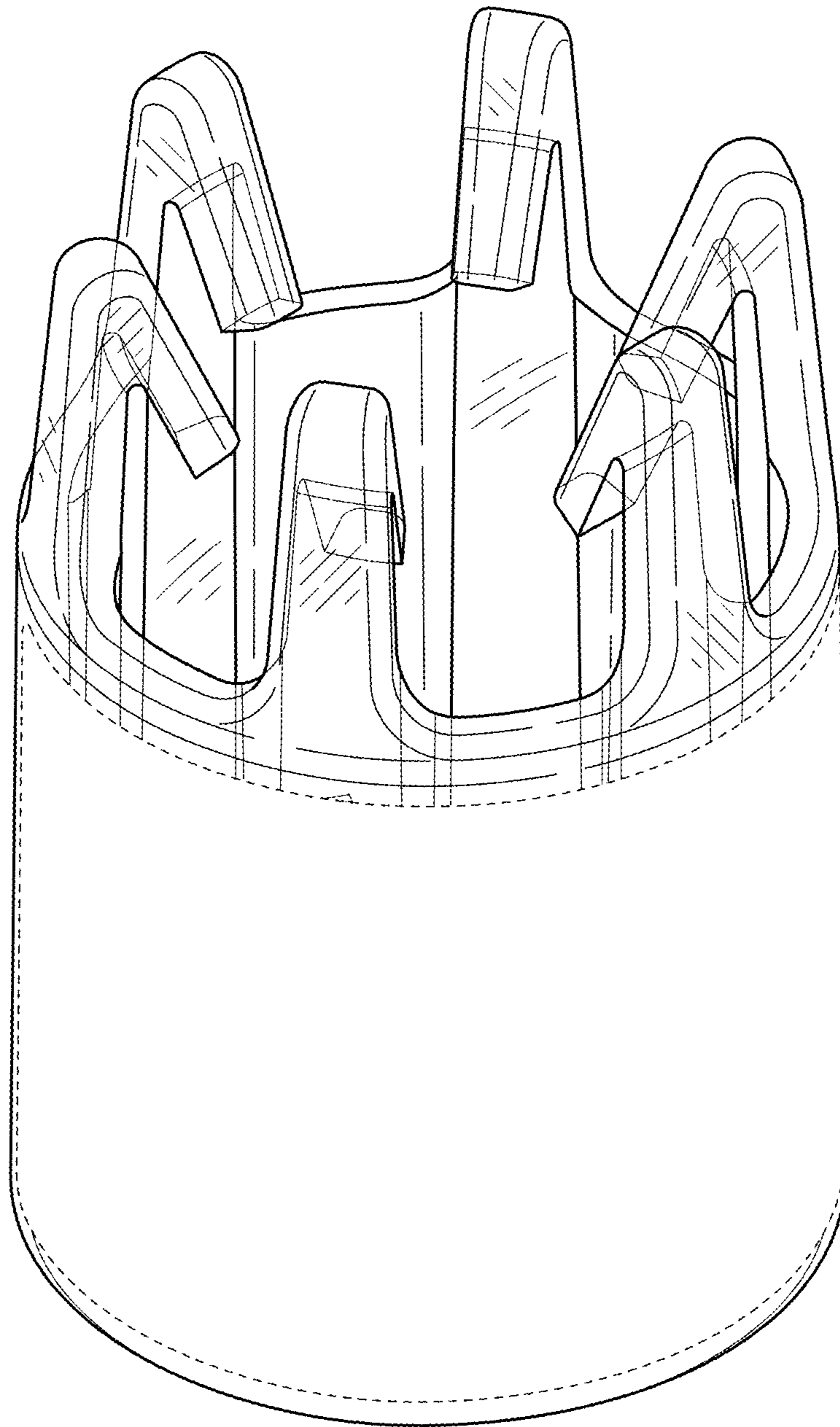


FIG. 9

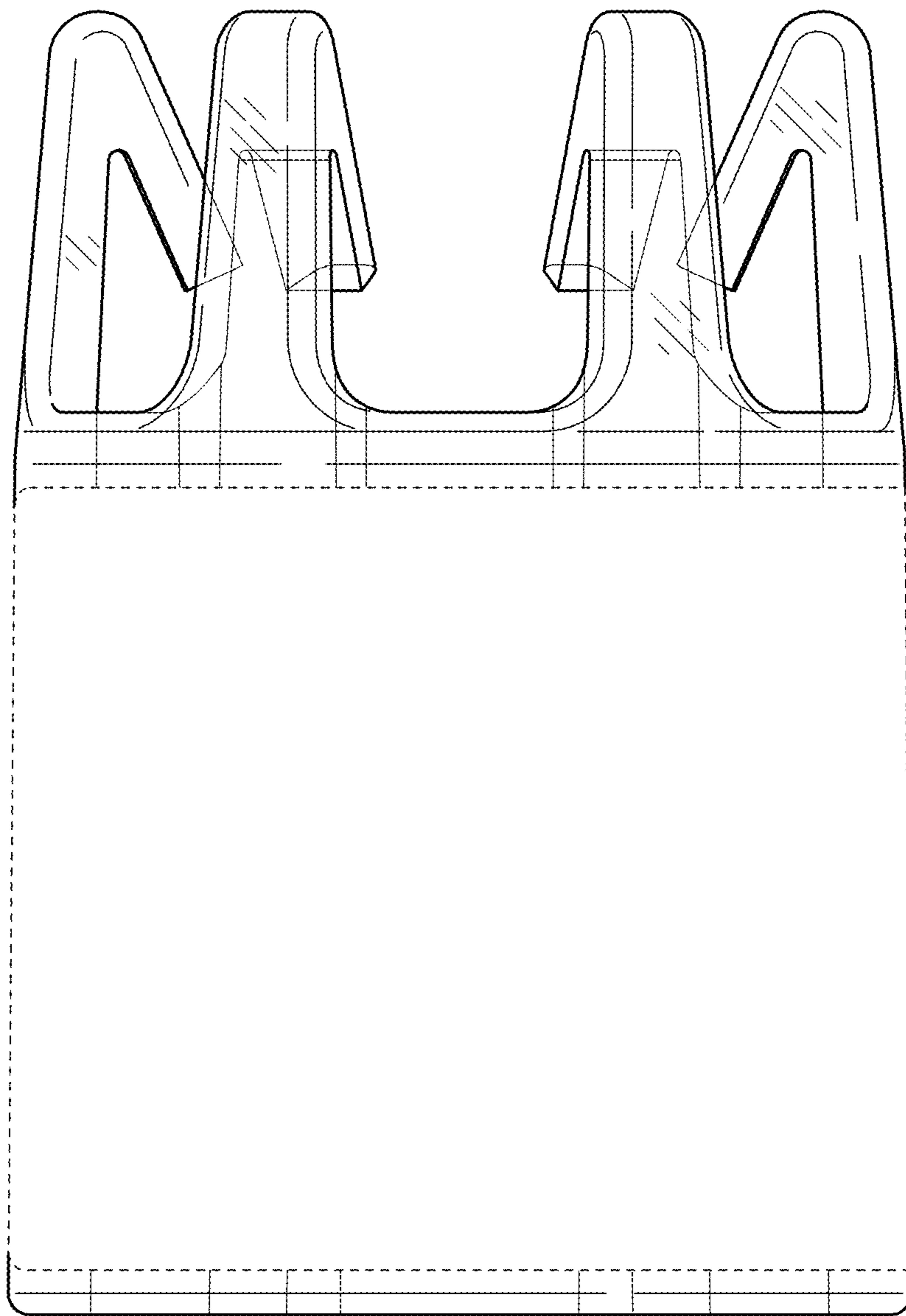


FIG. 10

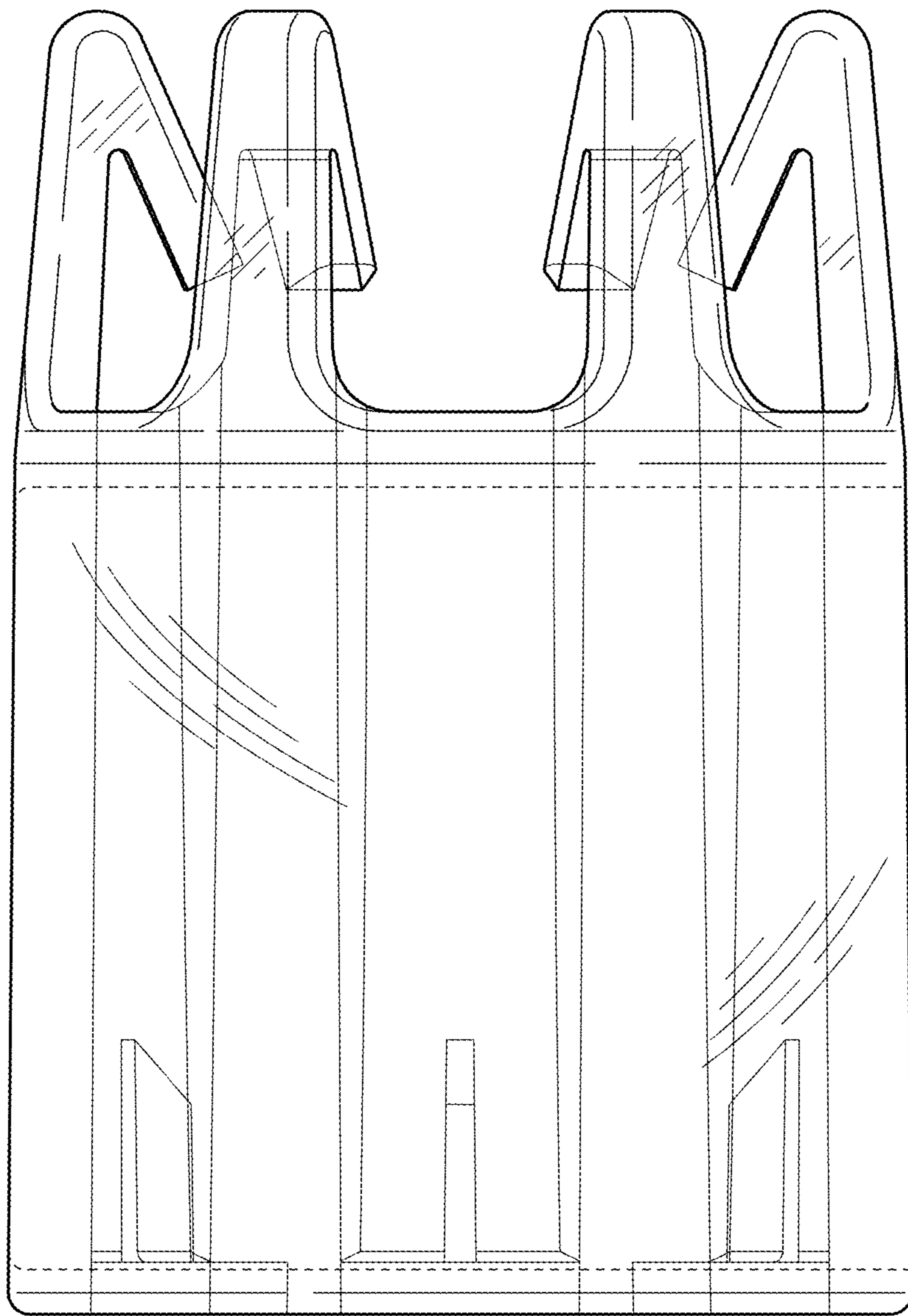


FIG. 11

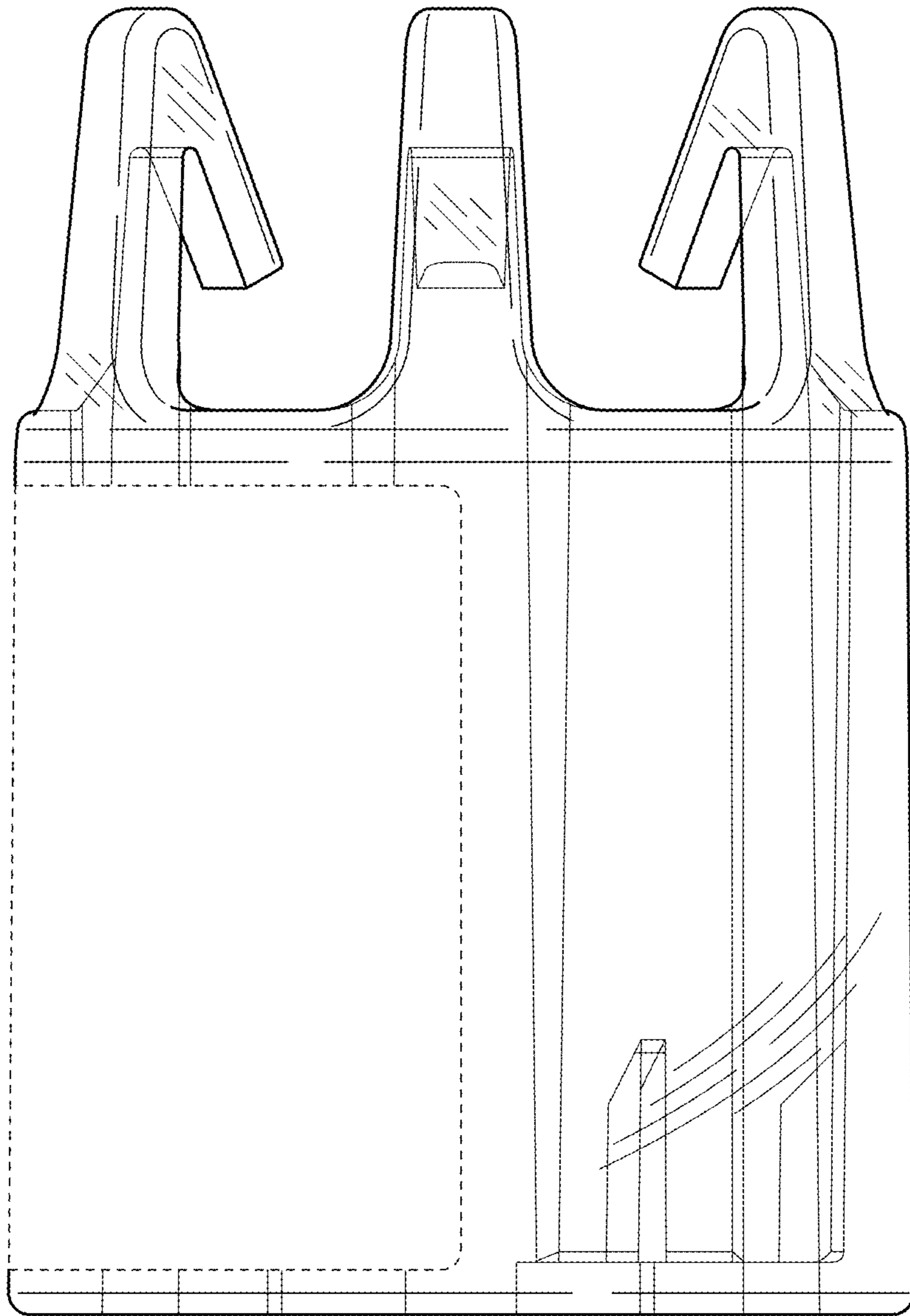


FIG. 12

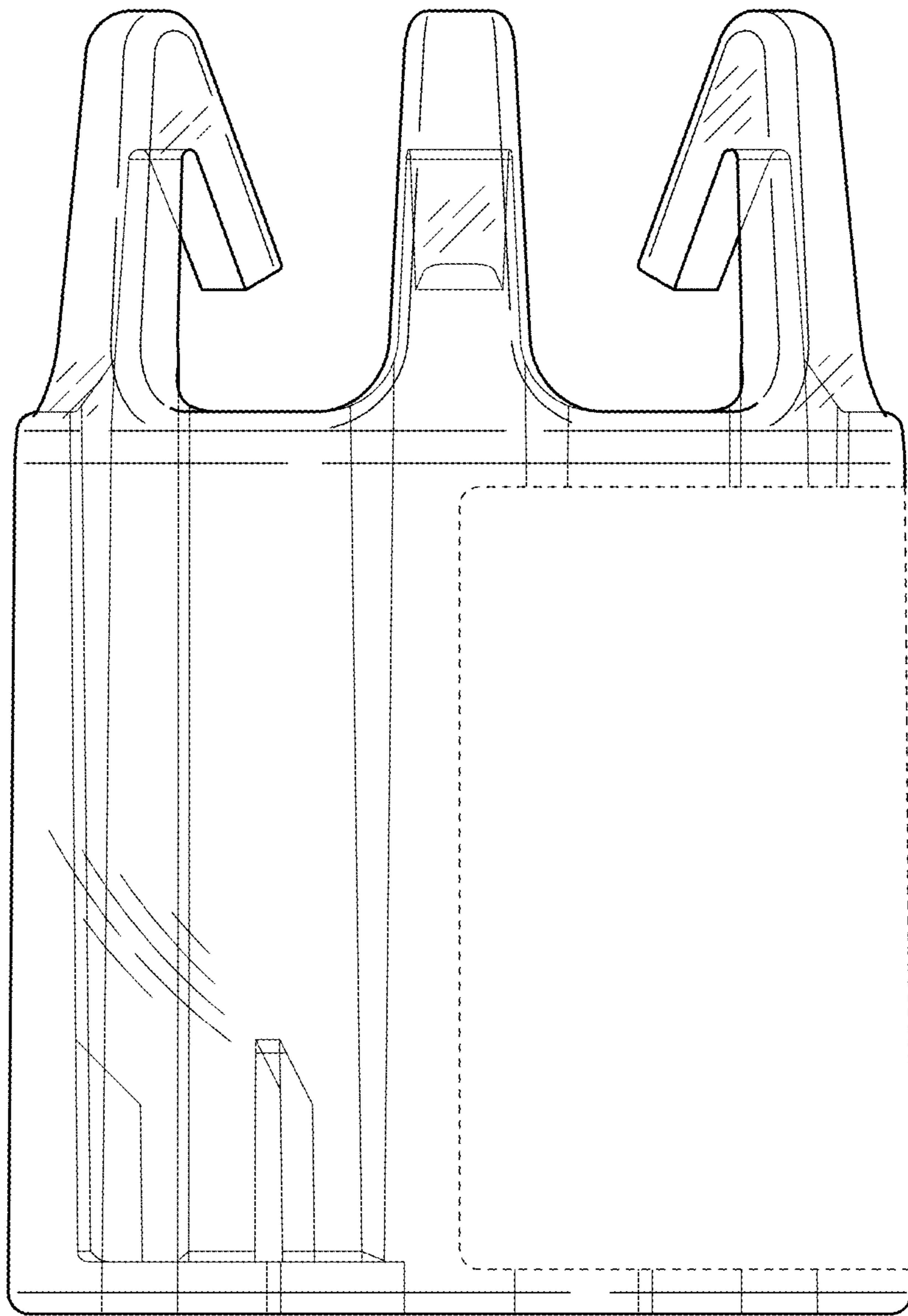


FIG. 13

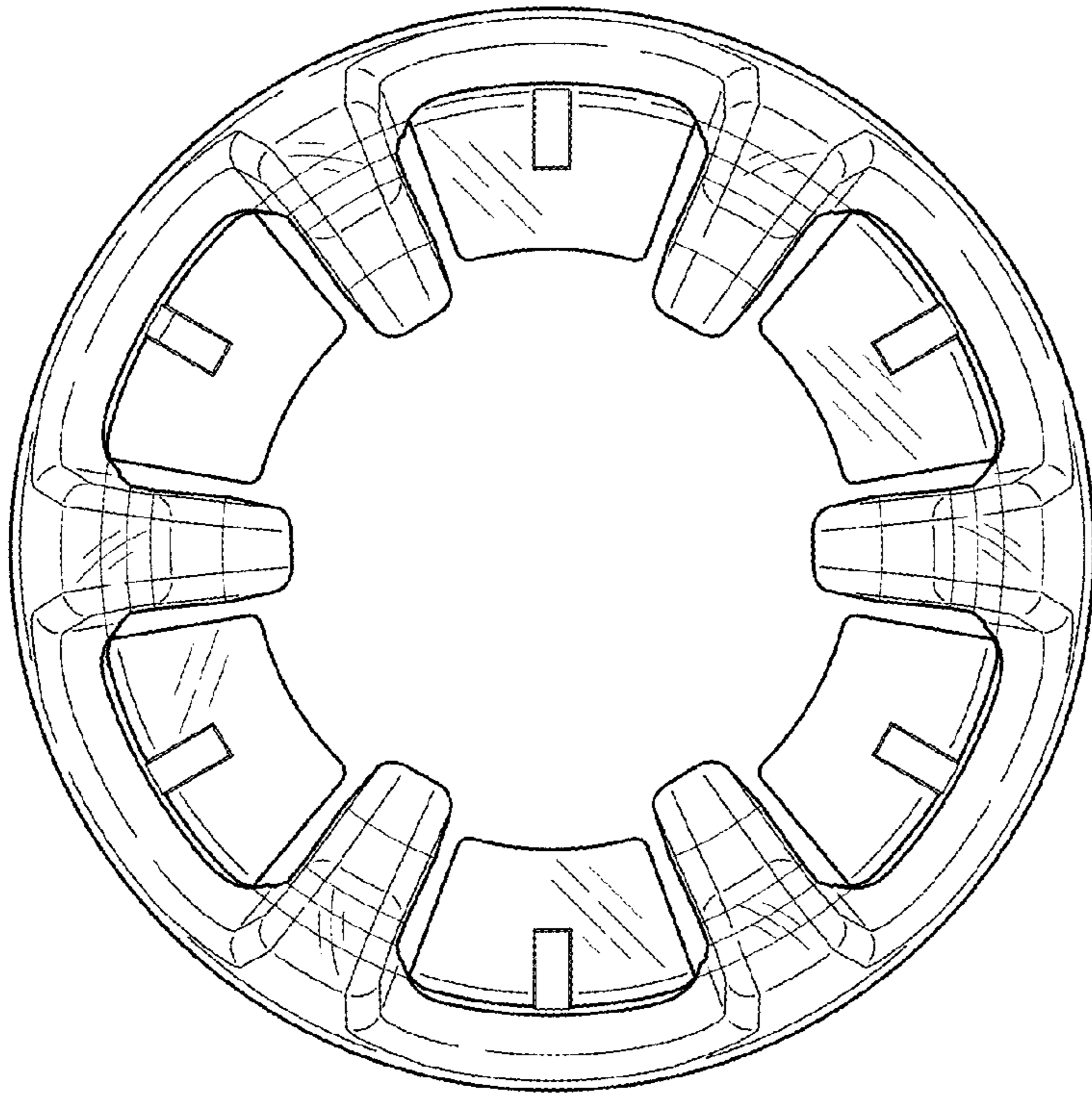


FIG. 14

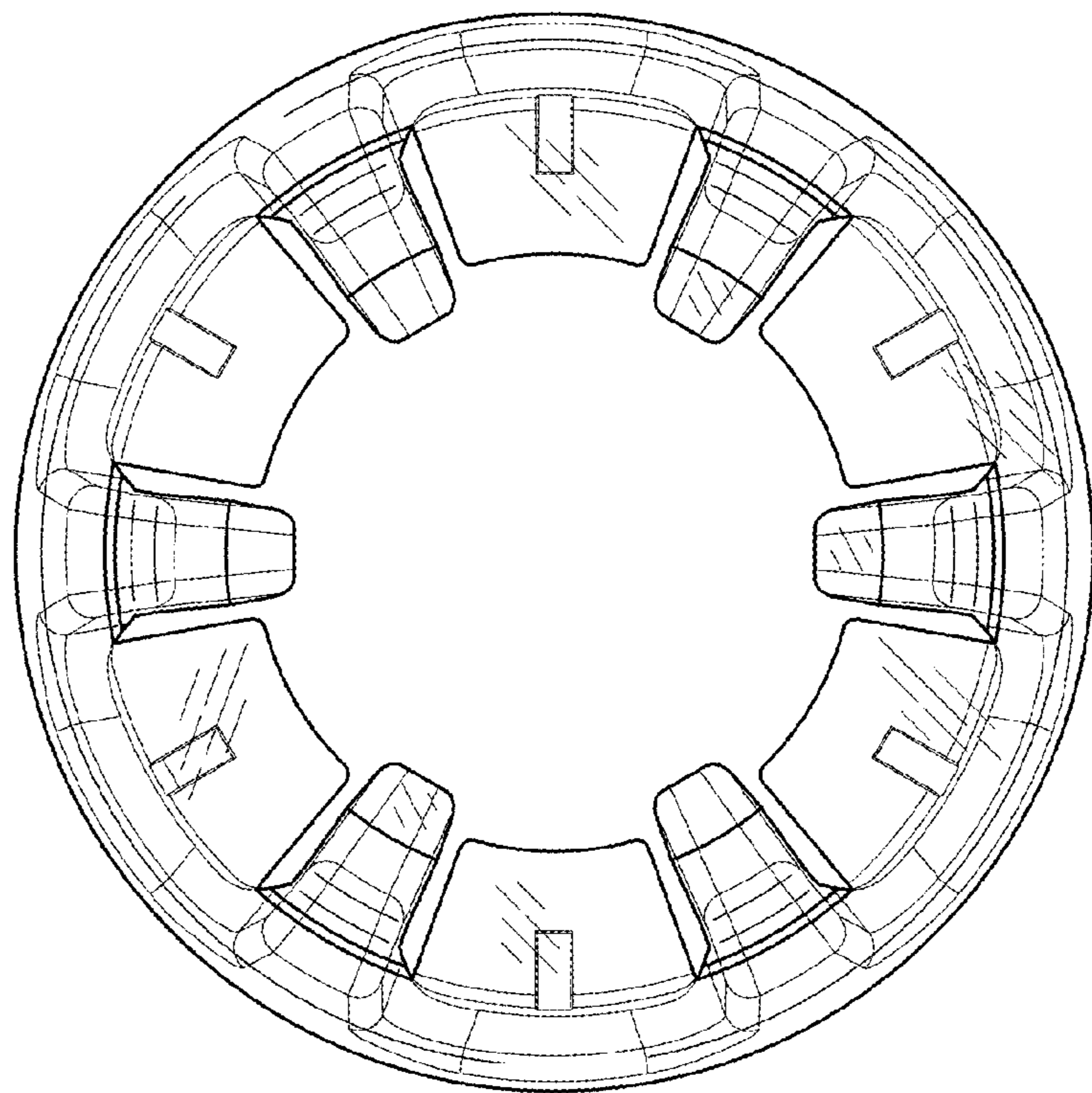


FIG. 15

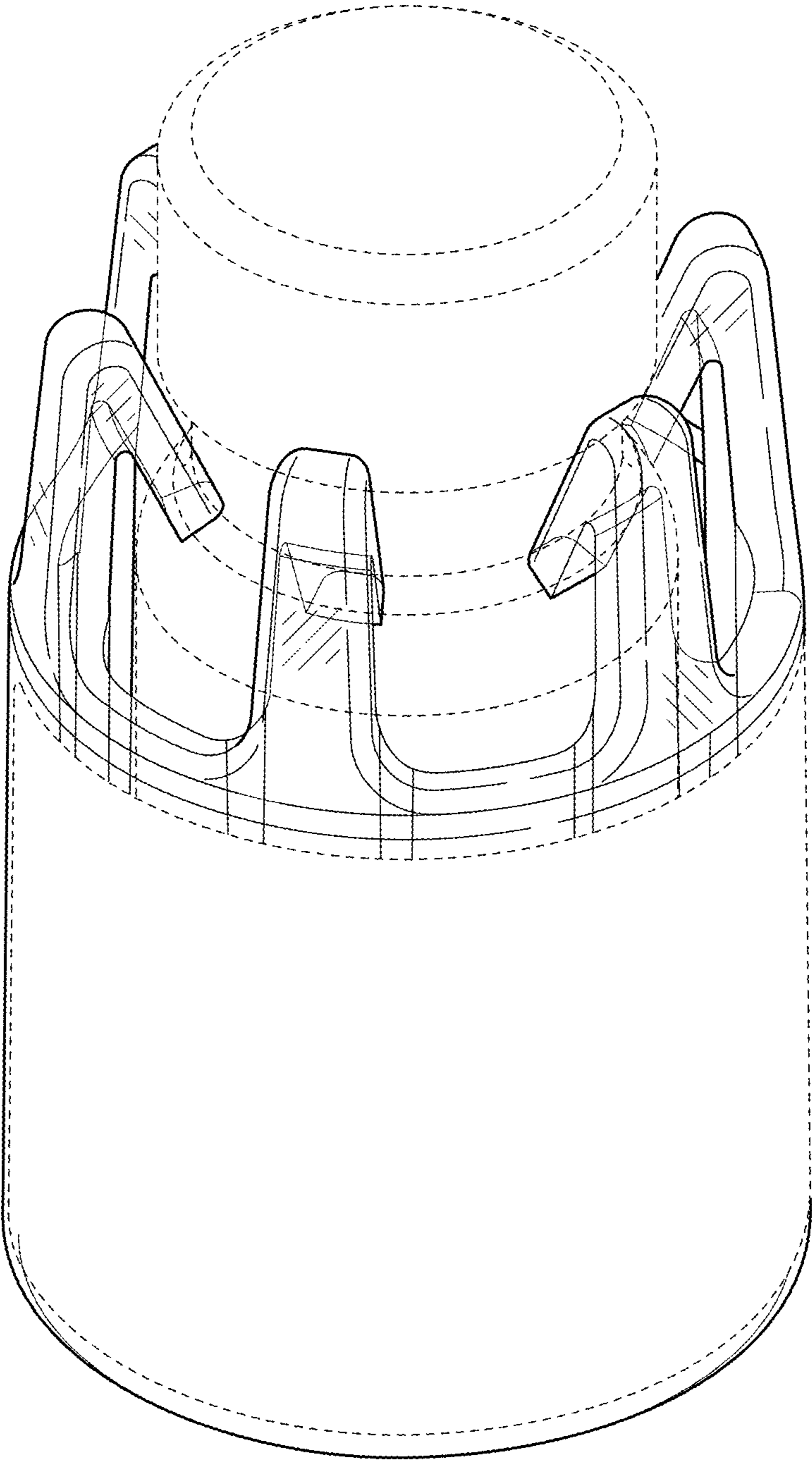


FIG. 16