



US00D894422S

(12) **United States Design Patent** (10) **Patent No.:** **US D894,422 S**
Johnson (45) **Date of Patent:** **** Aug. 25, 2020**

- (54) **BLOOD COLLECTION DEVICE**
- (71) Applicant: **Boston Microfluidics, Inc.**, Boston, MA (US)
- (72) Inventor: **Brandon T. Johnson**, Somerville, MA (US)
- (73) Assignee: **Boston Microfluidics, Inc.**, Cambridge, MA (US)
- (**) Term: **15 Years**
- (21) Appl. No.: **29/667,202**
- (22) Filed: **Oct. 19, 2018**
- (51) **LOC (12) Cl.** **24-02**
- (52) **U.S. Cl.**
USPC **D24/224**
- (58) **Field of Classification Search**
USPC D24/107, 121-123, 216, 217, 219, D24/223-227, 229-231, 232; D10/81
CPC B01L 3/5023
See application file for complete search history.

(56) **References Cited**
U.S. PATENT DOCUMENTS

D239,310 S	3/1976	Haerr	
D284,214 S	6/1986	Hatcher	
D324,426 S *	3/1992	Fan	D24/223
D331,807 S	12/1992	Sodergren	
5,384,264 A *	1/1995	Chen	B01L 3/5023 422/400
D410,287 S	5/1999	von Boetticher	
D411,621 S *	6/1999	Eisenbarth	D24/169
6,372,514 B1	4/2002	Lee	
6,399,398 B1	6/2002	Cunningham et al.	
D512,512 S *	12/2005	Bell	D24/225
D590,063 S *	4/2009	Garthoff	D24/186
D631,556 S *	1/2011	Shi	D24/225
D676,145 S *	2/2013	Kouge	D24/225

D728,818 S	5/2015	Burroughs et al.	
D733,313 S *	6/2015	Kouge	D24/225
D734,482 S *	7/2015	Peterman	D24/216

(Continued)

FOREIGN PATENT DOCUMENTS

KR	3020160043209	*	9/2016
----	---------------	---	--------

OTHER PUBLICATIONS

A new era for blood collection and testing. Online, published date unknown. Retrieved on Nov. 18, 2019 from URL: <https://www.bostonmicrofluidics.com/>.*

(Continued)

Primary Examiner — Susan Bennett Hattan

Assistant Examiner — Omeed Agilee

(74) *Attorney, Agent, or Firm* — David J. Thibodeau, Jr.; VLP Law Group, LLP

(57) **CLAIM**

The ornamental design for a blood collection device, as shown and described.

DESCRIPTION

FIG. 1 is a perspective view of a blood collection device embodying the design, with the device in a closed position. FIG. 2 is a view of one end of the device, taken from the right side end of the view of FIG. 1.

FIG. 3 is a view of another end of the device, taken from the left side end of the view of FIG. 1.

FIG. 4 is a view of the front side.

FIG. 5 is a view of the rear side.

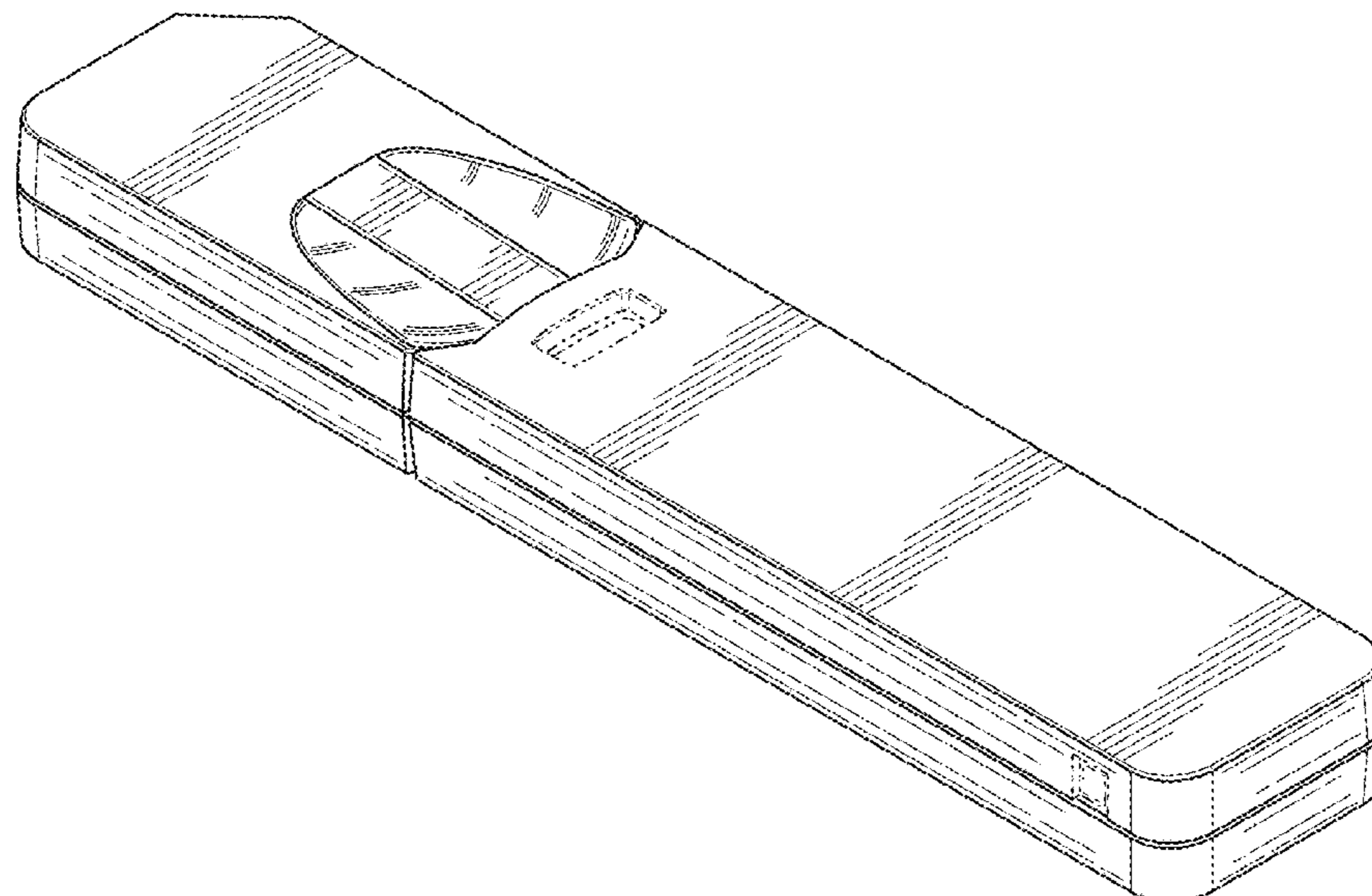
FIG. 6 is a top view.

FIG. 7 is a bottom view; and,

FIG. 8 is a perspective view of the device in an open position.

The short dash-short dash-long dash broken lines in the drawings depict portions of the blood collection device that form no part of the claimed design.

1 Claim, 4 Drawing Sheets



(56)

References Cited

U.S. PATENT DOCUMENTS

D822,225 S * 7/2018 Moon D24/224
D824,530 S * 7/2018 Velschow D24/216
D855,210 S * 7/2019 Ito D24/225
D861,189 S 9/2019 Lampropoulos et al.
D861,915 S 10/2019 Zakrys
2014/0303518 A1 * 10/2014 Pierce B01L 3/5055
600/573
2015/0069072 A1 3/2015 Kelley et al.
2018/0356393 A1 * 12/2018 Piasio G01N 27/3272
2019/0111421 A1 * 4/2019 Johnson B01L 3/5023
2019/0126266 A1 * 5/2019 Johnson B01L 3/502753

OTHER PUBLICATIONS

“Through the isosceles trapezoid window,” Online, published date Dec. 6, 2006. Retrieved on Nov. 22, 2019 from URL: https://www.flickr.com/photos/page94/3157_53467.

“Garden House/Joaqufn Alvado Banon,” Online, published date 2012. Retrieved on Nov. 22, 2019 from URL: https://www.archdaily.com/306_750/garden-house-joaqu_u_i_n-alvado-banon.

“Buckle,” Online, published date Jun. 5, 2016. Retrieved on Nov. 22, 2019 from URL: http://www.8472.co.uk/misc_buckles_double.htm.

* cited by examiner

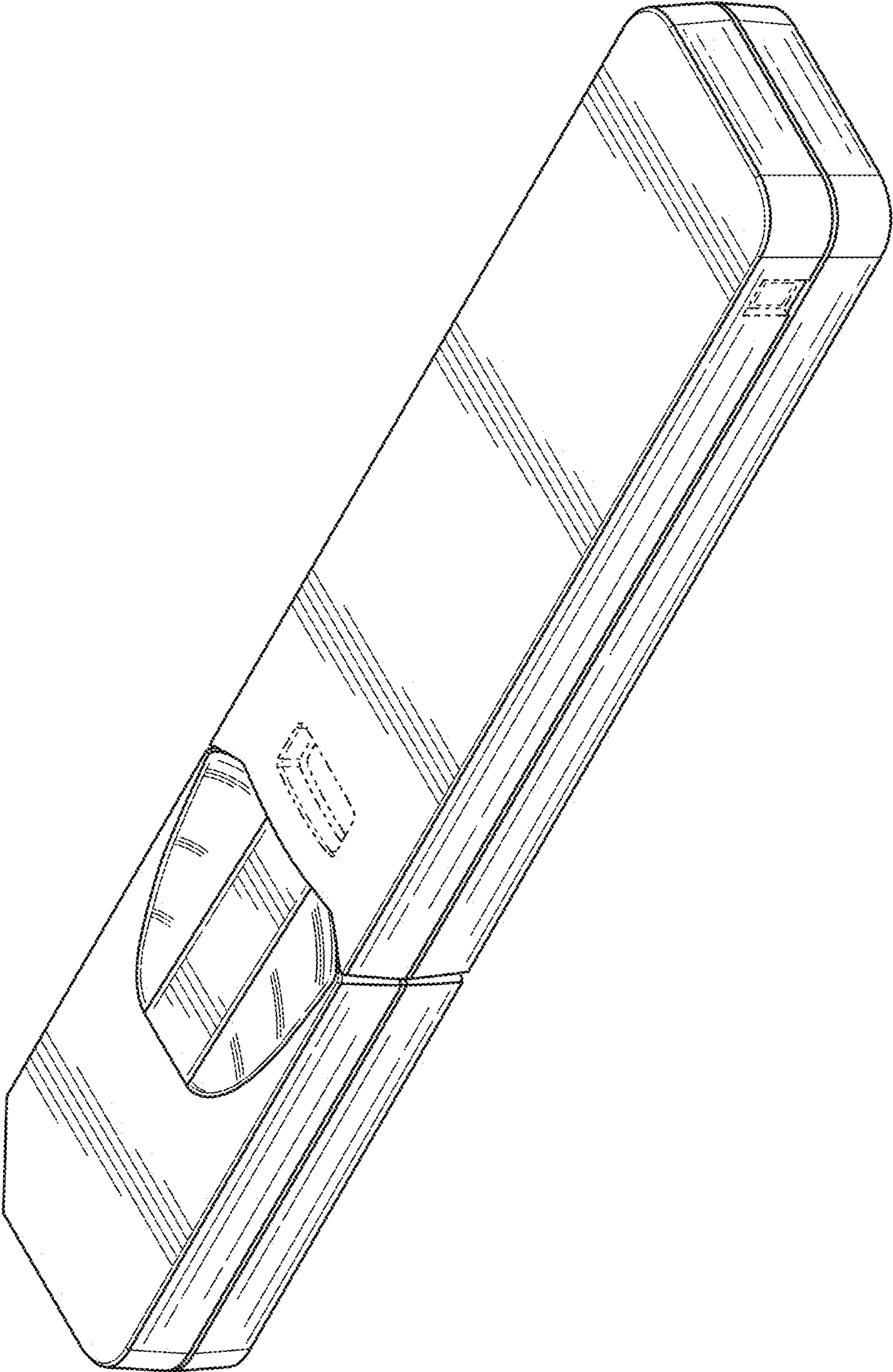


FIG. 1

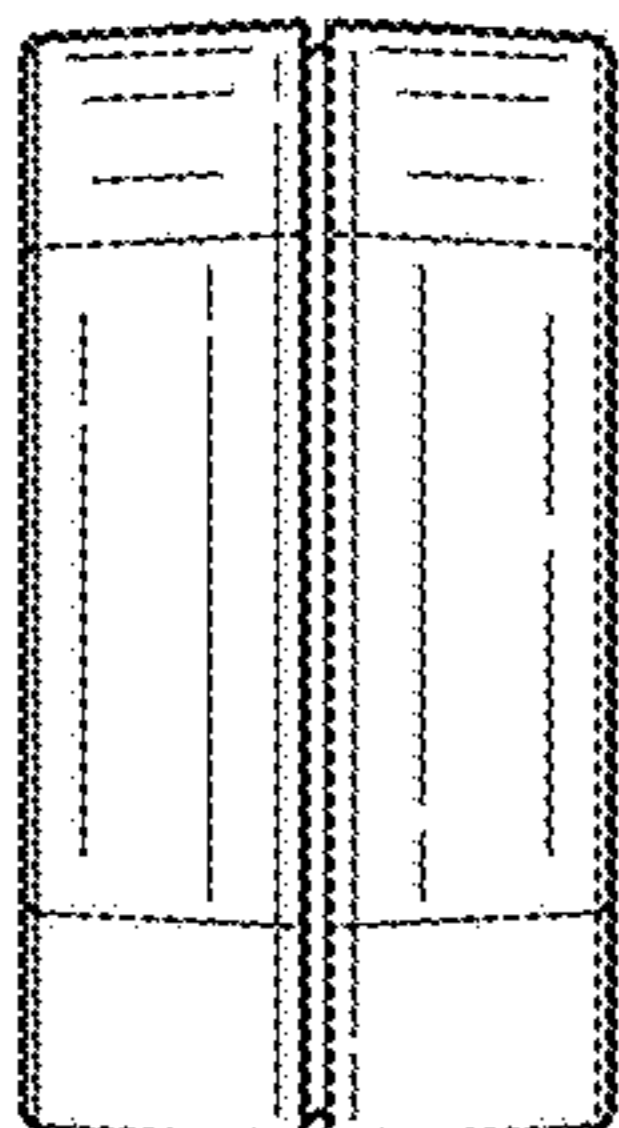


FIG. 2

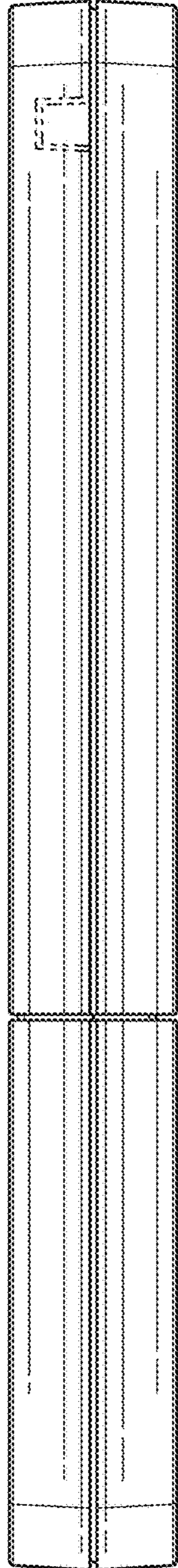


FIG. 4

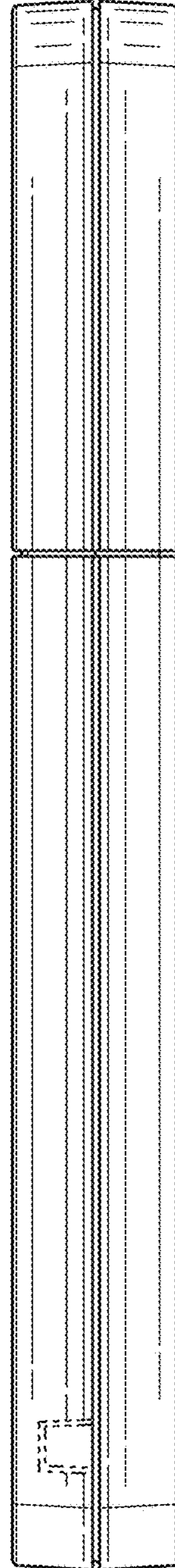


FIG. 5

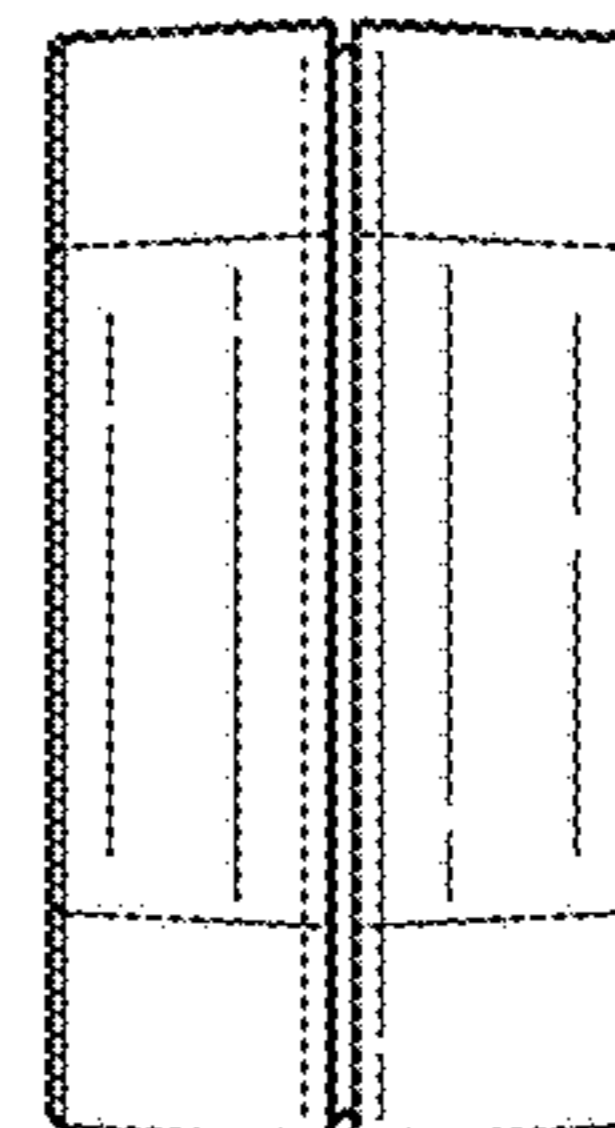


FIG. 3

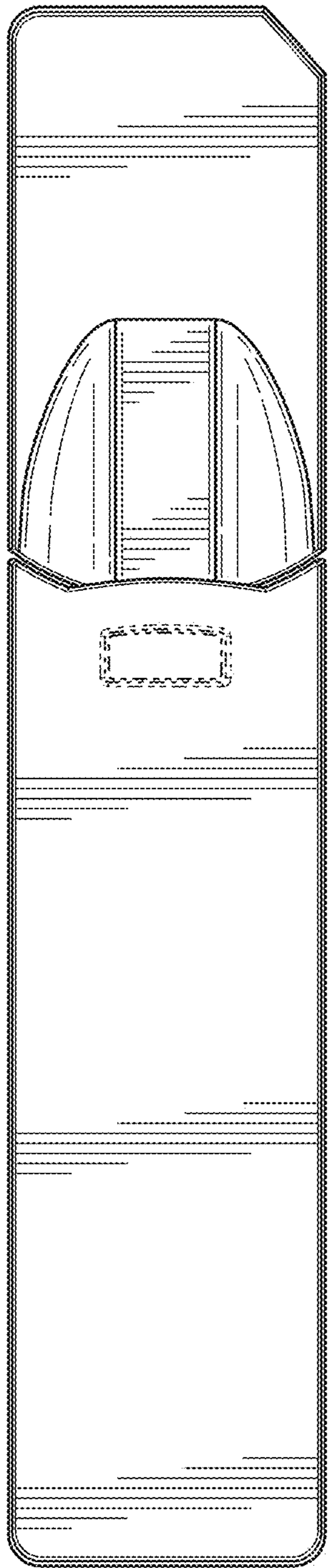


FIG. 6

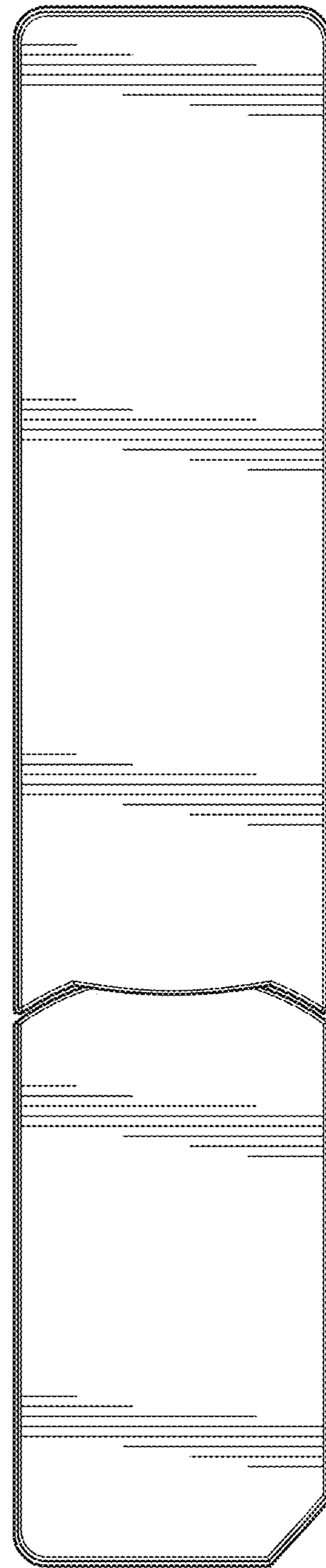


FIG. 7

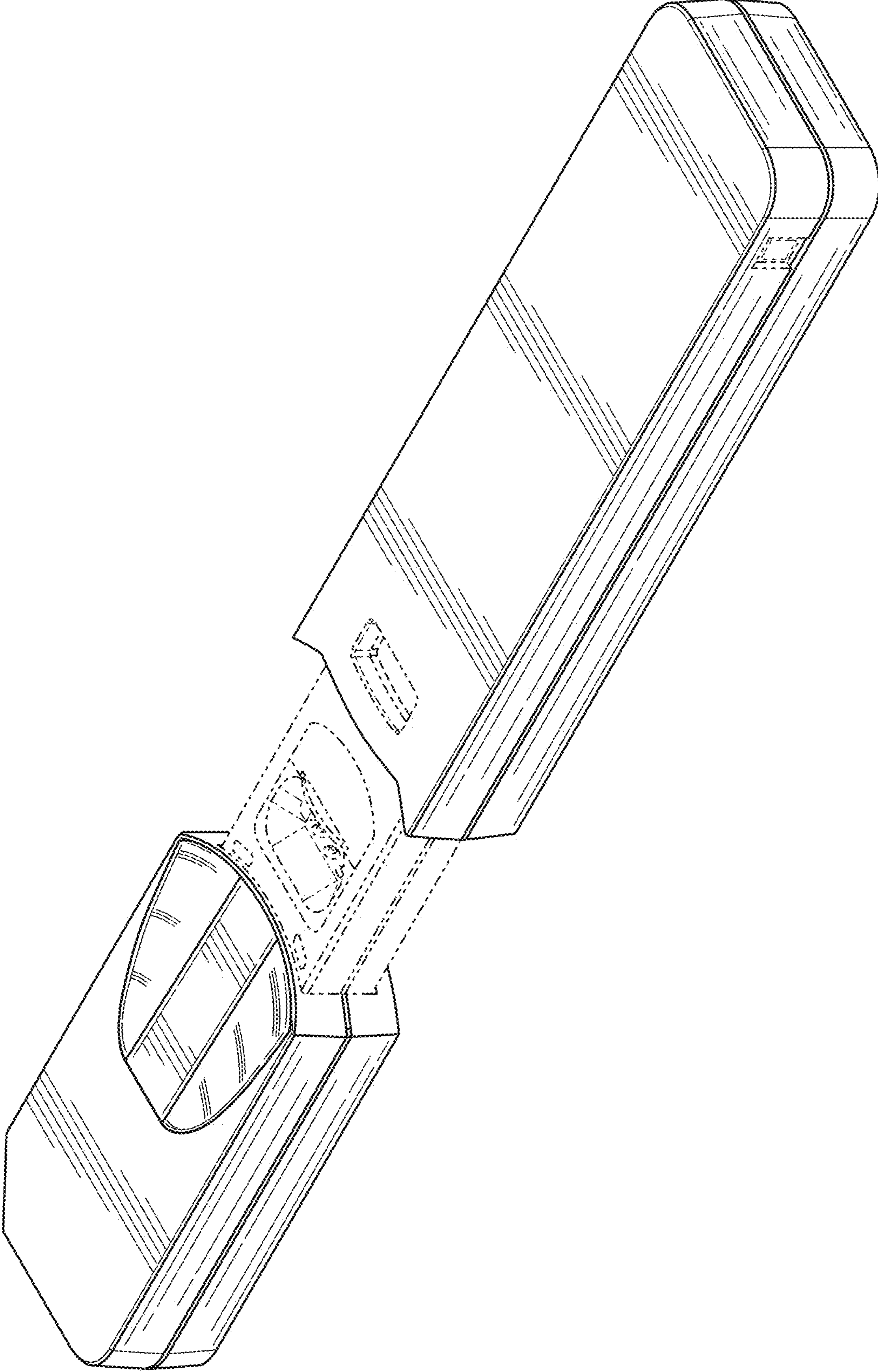


FIG. 8