



US00D894421S

(12) **United States Design Patent**  
**Ohmura et al.**

(10) **Patent No.:** **US D894,421 S**

(45) **Date of Patent:** **\*\* \*Aug. 25, 2020**

(54) **SAMPLE HOLDER FOR IONIZED SAMPLE ANALYSIS**

(71) Applicant: **HAMAMATSU PHOTONICS K.K.**,  
Hamamatsu-shi, Shizuoka (JP)

(72) Inventors: **Takayuki Ohmura**, Hamamatsu (JP);  
**Masahiro Kotani**, Hamamatsu (JP)

(73) Assignee: **HAMAMATSU PHOTONICS K.K.**,  
Hamamatsu-shi, Shizuoka (JP)

(\*) Notice: This patent is subject to a terminal disclaimer.

(\*\*) Term: **15 Years**

(21) Appl. No.: **29/656,959**

(22) Filed: **Jul. 18, 2018**

(30) **Foreign Application Priority Data**

Jan. 19, 2018 (JP) ..... 2018-000966  
Jan. 19, 2018 (JP) ..... 2018-000967

(51) **LOC (12) Cl.** ..... **24-02**

(52) **U.S. Cl.**  
USPC ..... **D24/224; D24/225**

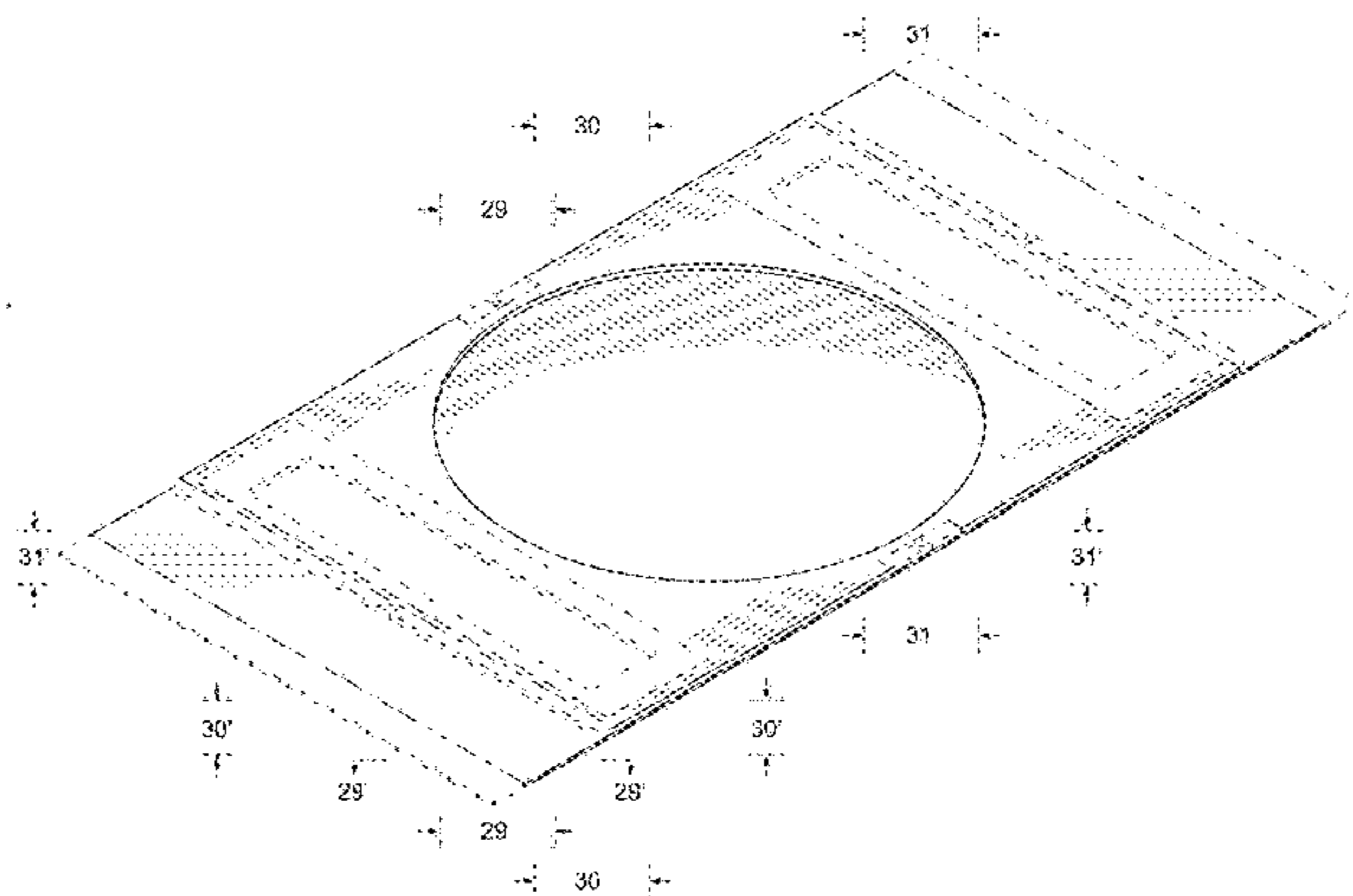
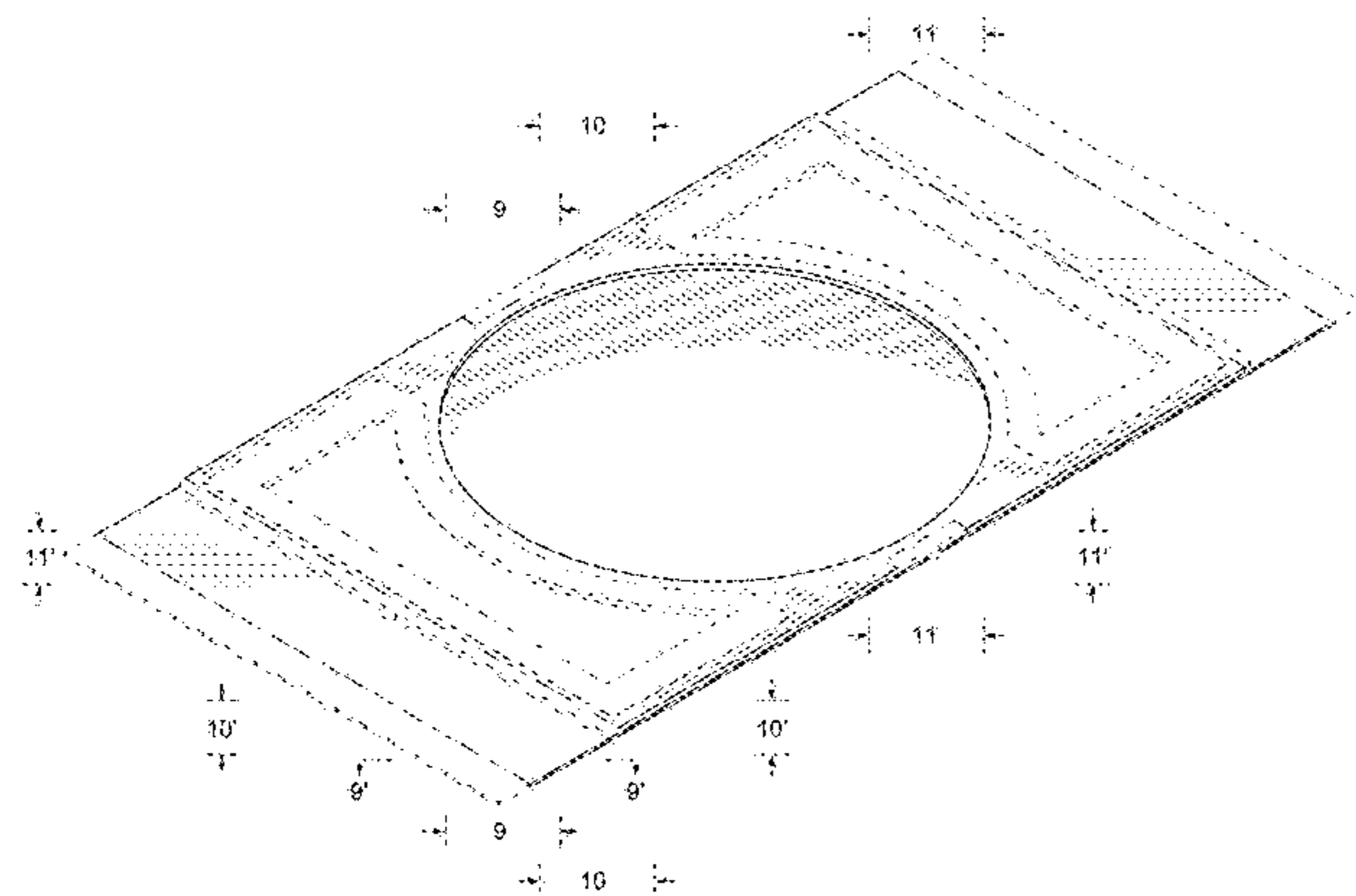
(58) **Field of Classification Search**  
USPC ..... D24/216, 223–227, 229–232; D9/537,  
D9/545, 549; D3/203.1, 203.2; D10/81  
CPC ... C12M 23/10; C12M 23/12; G01N 23/0033;  
G01N 23/0041; G01N 23/20025  
See application file for complete search history.

(56) **References Cited**

U.S. PATENT DOCUMENTS

D218,819 S 9/1970 Rubbin  
D227,744 S 7/1973 Mitchko  
D239,548 S 4/1976 Schiff et al.  
D273,898 S 5/1984 Valencia  
D274,261 S 6/1984 Valencia  
D277,699 S 2/1985 Valencia  
D290,042 S 5/1987 Ford

5,349,436 A 9/1994 Fisch  
D351,475 S 10/1994 Gerber  
5,425,451 A \* 6/1995 Blase ..... G11B 33/0427  
206/309  
D376,685 S \* 12/1996 Weller ..... D3/203.2  
D397,831 S 9/1998 Stoecker  
D418,228 S \* 12/1999 Fisch ..... D24/225  
D420,745 S 2/2000 Cardy  
D431,300 S \* 9/2000 Fisch ..... D24/225  
D431,301 S \* 9/2000 Fisch ..... D24/225  
D473,318 S 4/2003 Barbera-Guillem  
D491,276 S 6/2004 Langille  
D500,142 S 12/2004 Crisanti et al.  
D503,274 S 3/2005 Roche et al.  
D510,883 S 10/2005 George  
D530,826 S 10/2006 Rich et al.  
D540,953 S 4/2007 Ramel et al.  
7,217,520 B2 5/2007 Tsinberg et al.  
D569,990 S 5/2008 Fisch  
7,409,698 B2 8/2008 Tjensvold et al.  
D596,753 S 7/2009 LaStella  
D596,758 S 7/2009 Constable  
D672,050 S 12/2012 Lee et al.  
D673,295 S 12/2012 Motadel  
D680,227 S 4/2013 Berg  
D699,369 S 2/2014 Fonseca  
D702,364 S \* 4/2014 Iqbal ..... D24/225  
D722,385 S 2/2015 Fonseca  
9,034,634 B2 \* 5/2015 Miller ..... B01L 3/5027  
435/283.1  
D733,313 S \* 6/2015 Kouge ..... D24/225  
D733,912 S \* 7/2015 Ito ..... D24/225  
D734,482 S 7/2015 Peterman et al.  
D736,403 S 8/2015 Hudson et al.  
D758,608 S 6/2016 Behar et al.  
D786,448 S 5/2017 Ohsaka et al.  
D787,356 S 5/2017 Johnston  
D792,735 S 7/2017 Henry  
D800,184 S 10/2017 Suess et al.  
D800,336 S \* 10/2017 Chang ..... D24/224  
D806,890 S 1/2018 Williams et al.  
D806,892 S \* 1/2018 Walden, II ..... D24/225  
D812,767 S 3/2018 Osmus et al.  
D825,076 S 8/2018 Librach et al.  
D827,857 S \* 9/2018 Buschtez ..... D24/225  
D838,001 S \* 1/2019 Ito ..... D24/225  
D840,049 S \* 2/2019 Schulz ..... D24/224  
D841,183 S \* 2/2019 Walden, II ..... D24/224  
D843,013 S \* 3/2019 Ito ..... D24/225  
D854,184 S \* 7/2019 Ito ..... D24/225  
D855,203 S \* 7/2019 Katsumata ..... D24/224  
D855,206 S \* 7/2019 Ito ..... D24/225  
D855,207 S \* 7/2019 Ito ..... D24/225



|              |     |   |         |               |       |                          |
|--------------|-----|---|---------|---------------|-------|--------------------------|
| D855,208     | S   | * | 7/2019  | Ito           | ..... | D24/225                  |
| D855,209     | S   | * | 7/2019  | Ito           | ..... | D24/225                  |
| D855,210     | S   | * | 7/2019  | Ito           | ..... | D24/225                  |
| D867,612     | S   |   | 11/2019 | Ohmura et al. |       |                          |
| D867,613     | S   |   | 11/2019 | Ohmura et al. |       |                          |
| 2005/0237607 | A1  |   | 10/2005 | Tenney        |       |                          |
| 2008/0056948 | A1  |   | 3/2008  | Dale et al.   |       |                          |
| 2009/0253582 | A1  |   | 10/2009 | Pena et al.   |       |                          |
| 2012/0045792 | A1  |   | 2/2012  | Cohen et al.  |       |                          |
| 2012/0142026 | A1  |   | 6/2012  | Miller et al. |       |                          |
| 2015/0330776 | A1* |   | 11/2015 | Hayashi       | ..... | G02B 21/26<br>356/138    |
| 2016/0175840 | A1* |   | 6/2016  | Ingber        | ..... | B01L 3/502707<br>422/502 |

OTHER PUBLICATIONS

“Makeup Tool Kit 33 in 1 Make up Cosmetics Including Eyeshadow Blush Powder Lip gloss With Makeup Box Makeup Set for Gift.”, kozeez online page, Retrieved on Oct. 10, 2019, unknown.  
 “Custom Color Highlighter Makeup Packaging Eyeshadow Palette Container With Mirror ”, Nov. 10, 2019.  
 “Paleta 15 Sombras Mac Colores Neutros\* Regalo Gratis”, [https://articulo.mercadolibre.com.mx/MLM-598664759-paleta-15-sombras-mac-colores-neutros-regalo-gratis-\\_JM](https://articulo.mercadolibre.com.mx/MLM-598664759-paleta-15-sombras-mac-colores-neutros-regalo-gratis-_JM), Dec. 5, 2019.  
 “Makeup palette”, Dec. 5, 2019.

\* cited by examiner

Primary Examiner — Susan Bennett Hattan

Assistant Examiner — Omeed Agilee

(74) Attorney, Agent, or Firm — Faegre Drinker Biddle & Reath LLP

(57) CLAIM

The ornamental design for a sample holder for ionized sample analysis, as shown and described.

DESCRIPTION

FIG. 1 is a front view of a sample holder for ionized sample analysis including a main body and a separator of the first embodiment of the present invention;  
 FIG. 2 is a rear view thereof;  
 FIG. 3 is a top plan view thereof;  
 FIG. 4 is a bottom plan view thereof;  
 FIG. 5 is a right side view thereof;  
 FIG. 6 is a left side view thereof;  
 FIG. 7 is a front perspective view thereof;  
 FIG. 8 is a rear perspective view thereof;  
 FIG. 9 is an enlarged view showing a portion of FIG. 7 defined by lines 9-9 and 9'-9';  
 FIG. 10 is an enlarged view showing a portion of FIG. 7 defined by lines 10-10 and 10'-10';  
 FIG. 11 is an enlarged view showing a portion of FIG. 7 defined by lines 11-11 and 11'-11';  
 FIG. 12 is a rear side elevation view of the main body, the separator is shown removed from the sample holder for ionized sample analysis to show details not otherwise discernible from the drawings;  
 FIG. 13 is a top plan view of the main body, the separator is shown removed from the sample holder for ionized sample analysis to show details not otherwise discernible from the drawings;  
 FIG. 14 is a rear side elevation view of the separator, the main body is shown removed from the sample holder for ionized sample analysis to show details not otherwise discernible from the drawings;

FIG. 15 is a top plan view of the separator, the main body is shown removed from the sample holder for ionized sample analysis to show details not otherwise discernible from the drawings;  
 FIG. 16 is an enlarged cross-sectional view along the line 16-16 in FIG. 1, in the area designated by 16'-16' in FIG. 1;  
 FIG. 17 is an enlarged cross-sectional view along the line 17-17 in FIG. 1, in the area designated by 17'-17' in FIG. 1;  
 FIG. 18 is an enlarged cross-sectional view along the line 18-18 in FIG. 1, in the area designated by 18'-18' in FIG. 1;  
 FIG. 19 is an enlarged cross-sectional view along the line 19-19 in FIG. 1, in the area designated by 19'-19' in FIG. 1;  
 FIG. 20 is an enlarged cross-sectional view along the line 20-20 in FIG. 1, in the area designated by 20'-20' in FIG. 1;  
 FIG. 21 is a front view of a sample holder for ionized sample analysis including a main body and a separator of the second embodiment of the present invention;  
 FIG. 22 is a rear view thereof;  
 FIG. 23 is a top plan view thereof;  
 FIG. 24 is a bottom plan view thereof;  
 FIG. 25 is a right side view thereof;  
 FIG. 26 is a left side view thereof;  
 FIG. 27 is a front perspective view thereof;  
 FIG. 28 is a rear perspective view thereof;  
 FIG. 29 is an enlarged view showing a portion of FIG. 27 defined by lines 29-29 and 29'-29';  
 FIG. 30 is an enlarged view showing a portion of FIG. 27 defined by lines 30-30 and 30'-30';  
 FIG. 31 is an enlarged view showing a portion of FIG. 27 defined by lines 31-31 and 31'-31';  
 FIG. 32 is a rear side elevation view of the main body, the separator is shown removed from the sample holder for ionized sample analysis to show details not otherwise discernible from the drawings;  
 FIG. 33 is a top plan view of the main body, the separator is shown removed from the sample holder for ionized sample analysis to show details not otherwise discernible from the drawings;  
 FIG. 34 is a rear side elevation view of the separator, the main body is shown removed from the sample holder for ionized sample analysis to show details not otherwise discernible from the drawings;  
 FIG. 35 is a top plan view of the separator, the main body is shown removed from the sample holder for ionized sample analysis to show details not otherwise discernible from the drawings;  
 FIG. 36 is an enlarged cross-sectional view along the line 36-36 in FIG. 21, in the area designated by 36'-36' in FIG. 21;  
 FIG. 37 is an enlarged cross-sectional view along the line 37-37 in FIG. 21, in the area designated by 37'-37' in FIG. 21;  
 FIG. 38 is an enlarged cross-sectional view along the line 38-38 in FIG. 21, in the area designated by 38'-38' in FIG. 21;  
 FIG. 39 is an enlarged cross-sectional view along the line 39-39 in FIG. 21, in the area designated by 39'-39' in FIG. 21; and,  
 FIG. 40 is an enlarged cross-sectional view along the line 40-40 in FIG. 21, in the area designated by 40'-40' in FIG. 21.  
 The features shown in evenly-dashed broken lines depict portions of the sample holder for ionized sample analysis that form no part of the claimed design. The dot-dash-dot broken lines depict the boundaries of the claim and form no

part thereof. The dash-dot-dot-dash broken lines depict indicators for sectional views and enlarged views and depict boundaries in the enlarged sectional views and enlarged views, the dash-dot-dot-dash broken lines form no part of the claimed design.

**1 Claim, 40 Drawing Sheets**

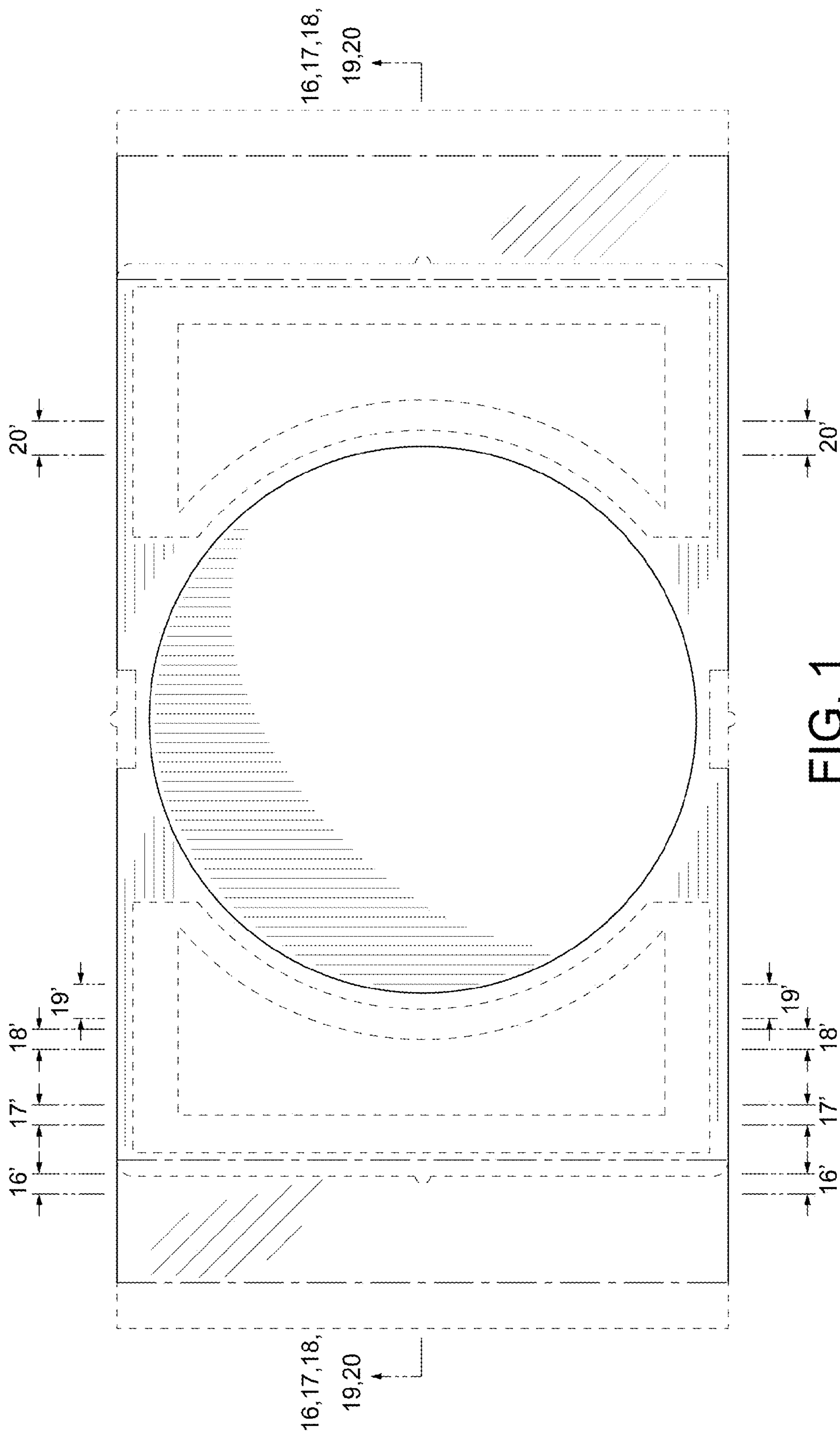


FIG. 1

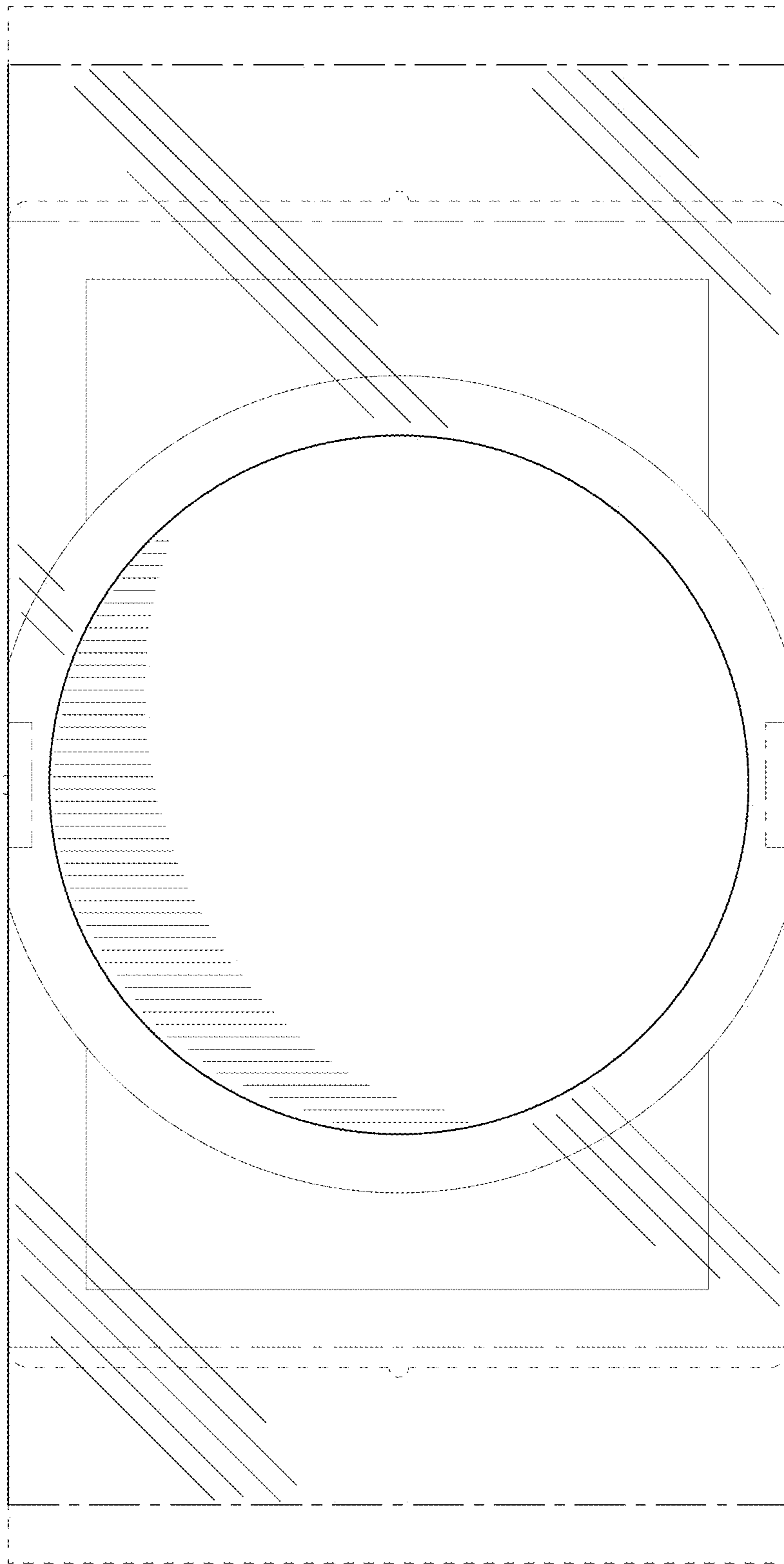


FIG. 2

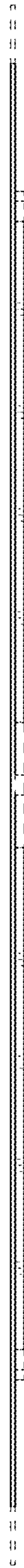


FIG. 3

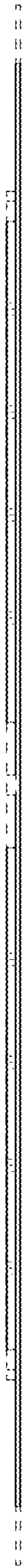


FIG. 4

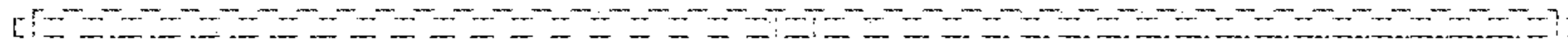


FIG. 5



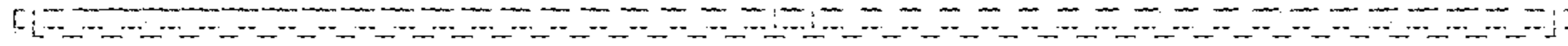


FIG. 6

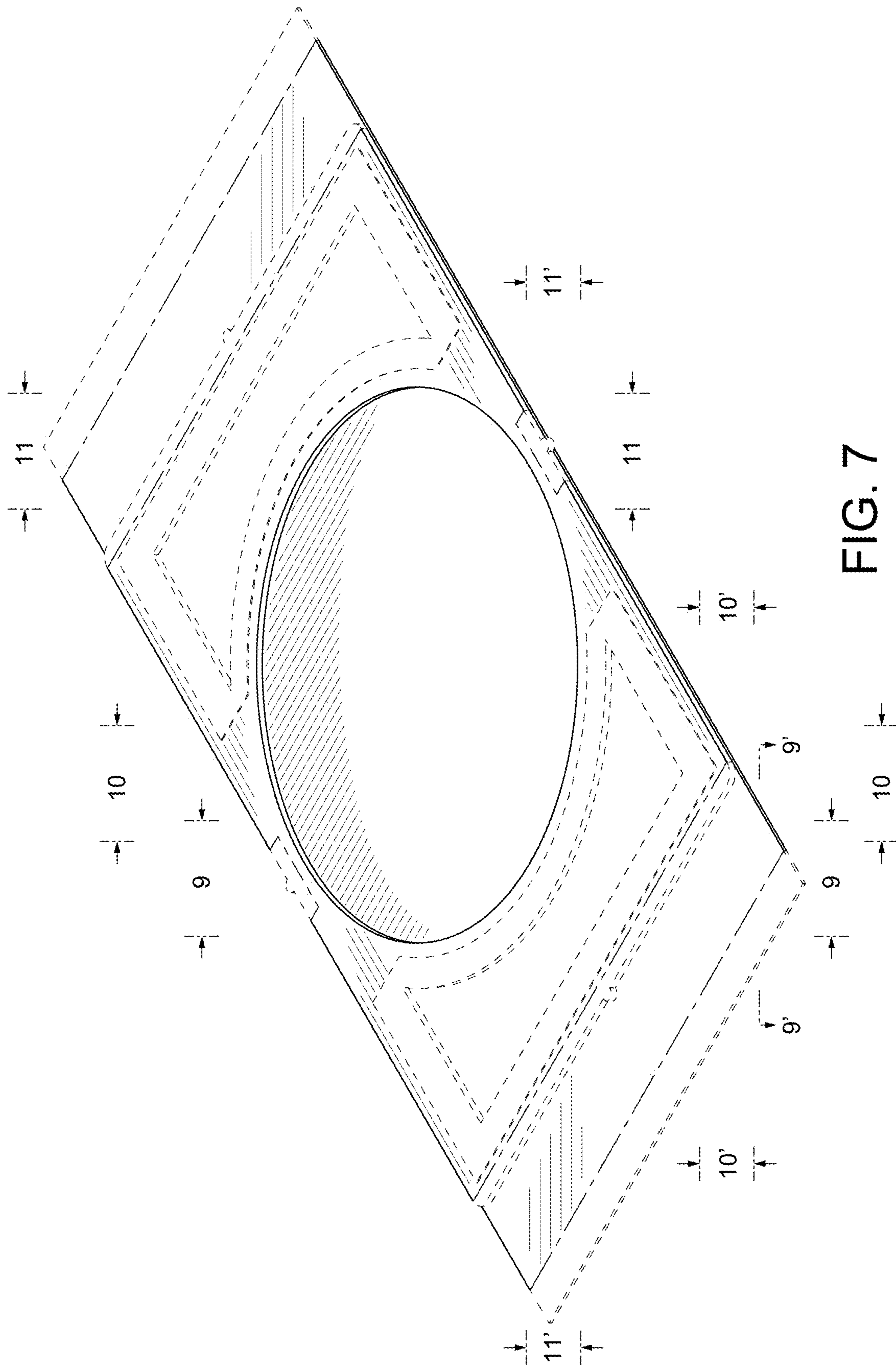


FIG. 7

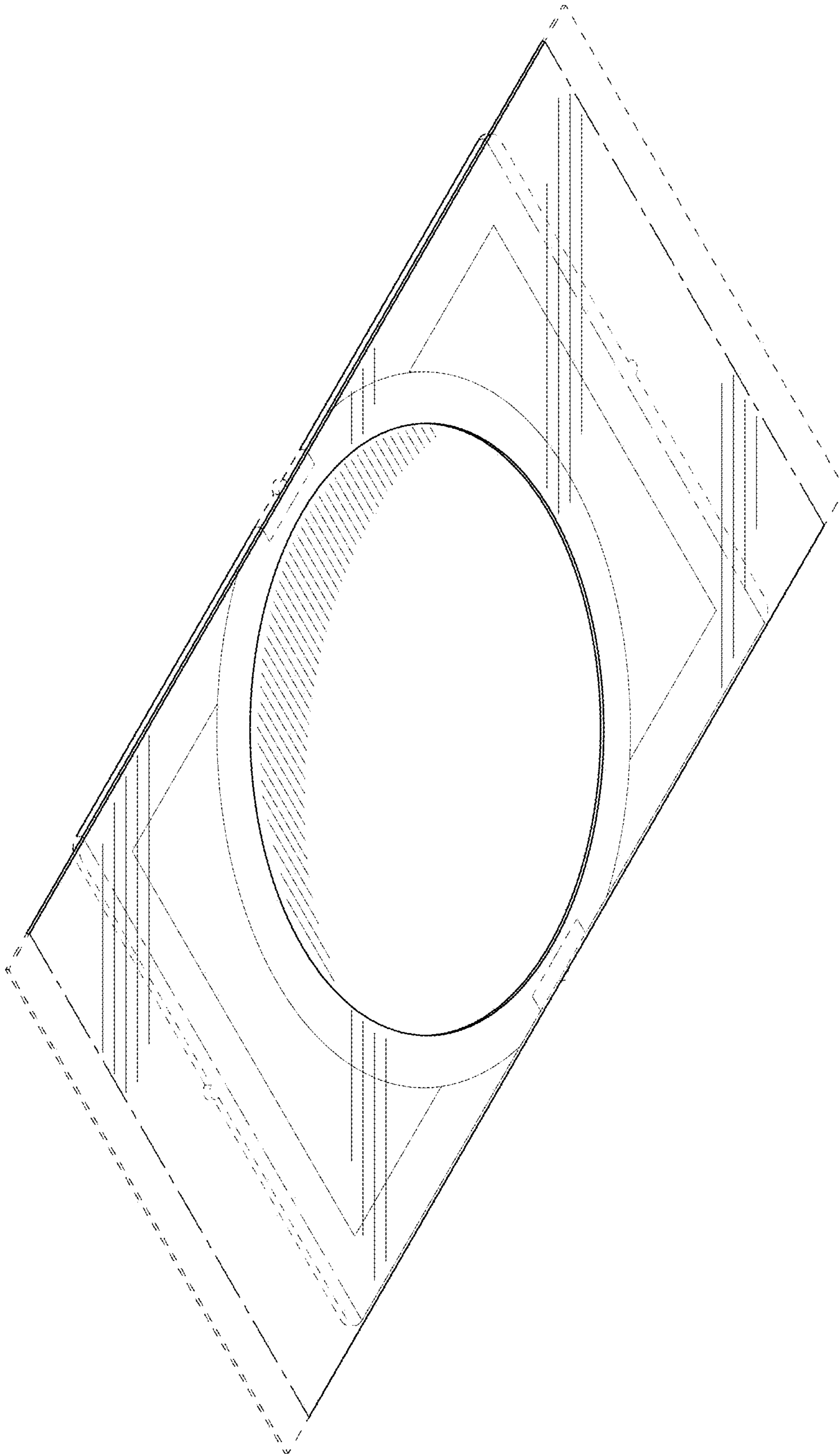


FIG. 8

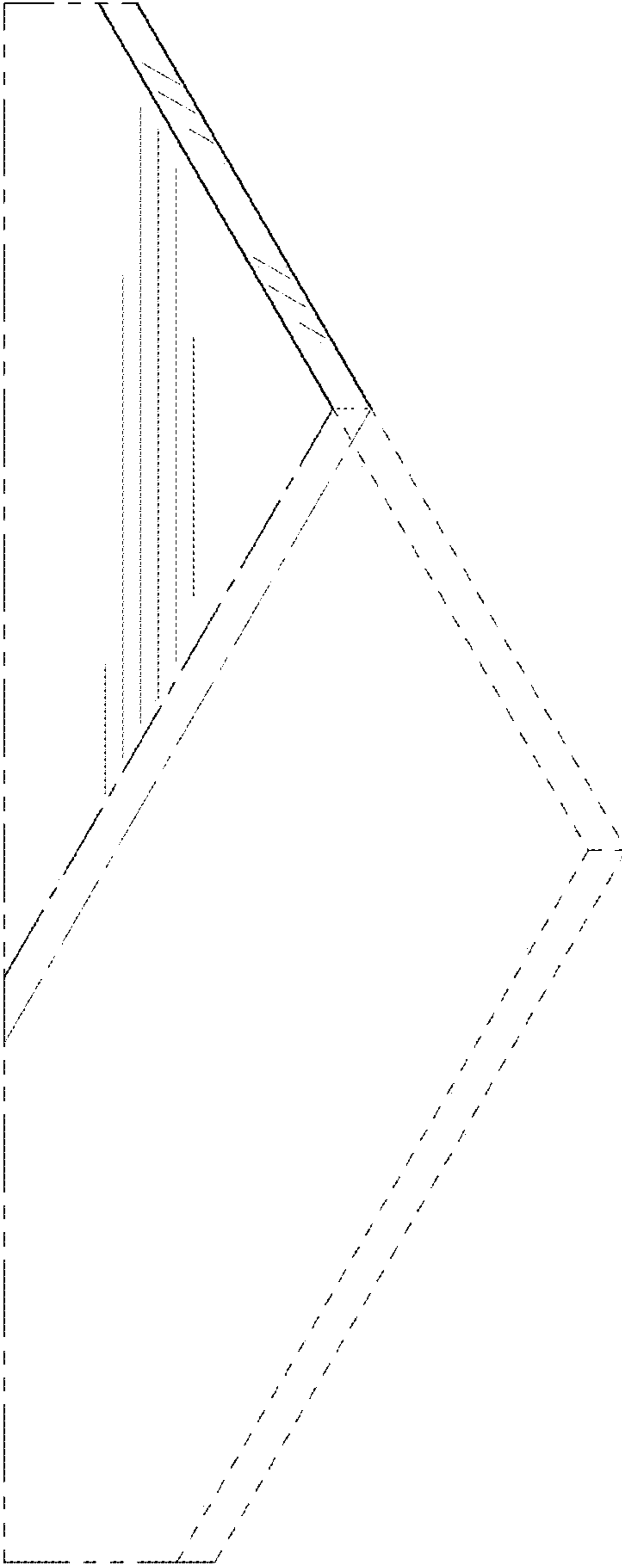


FIG. 9

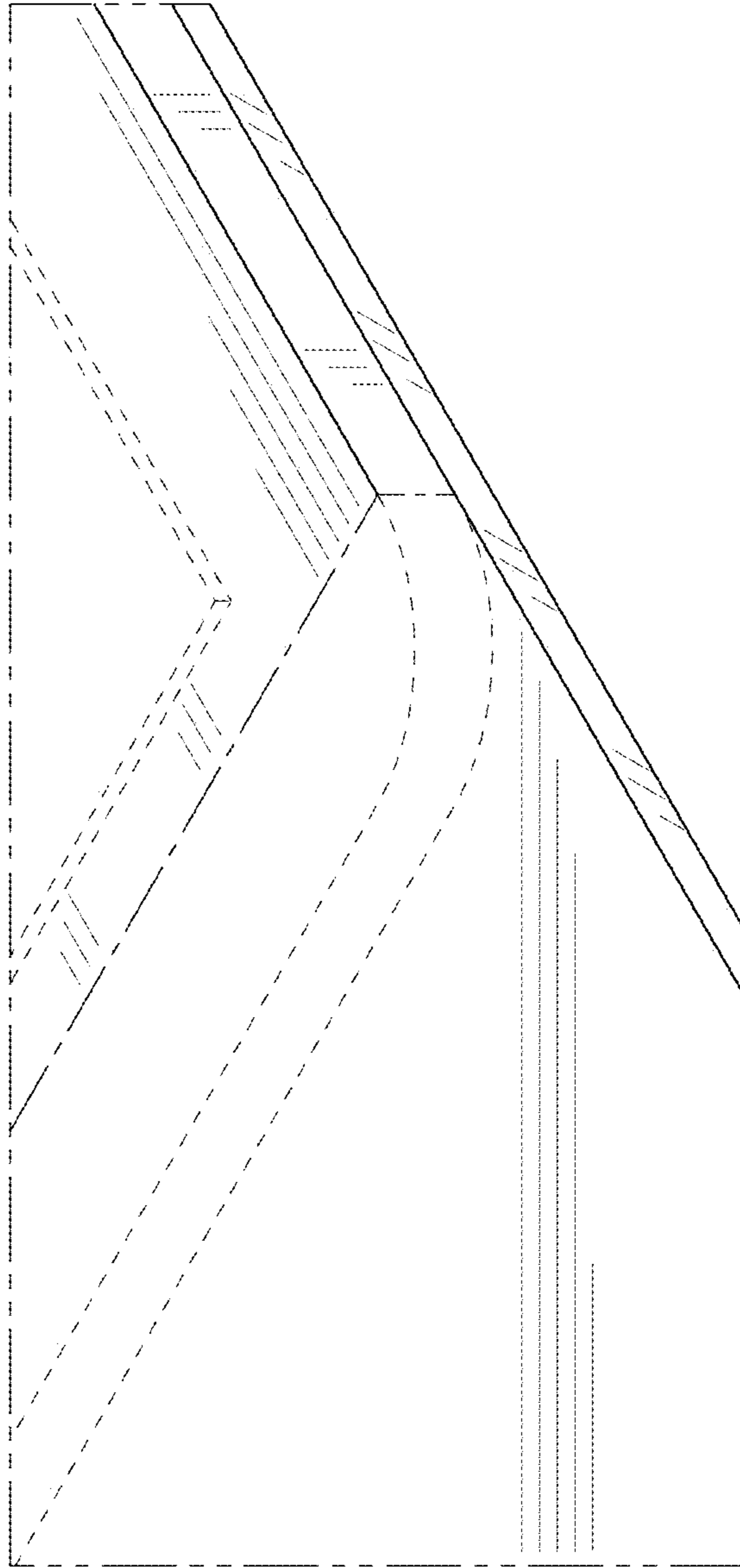


FIG. 10

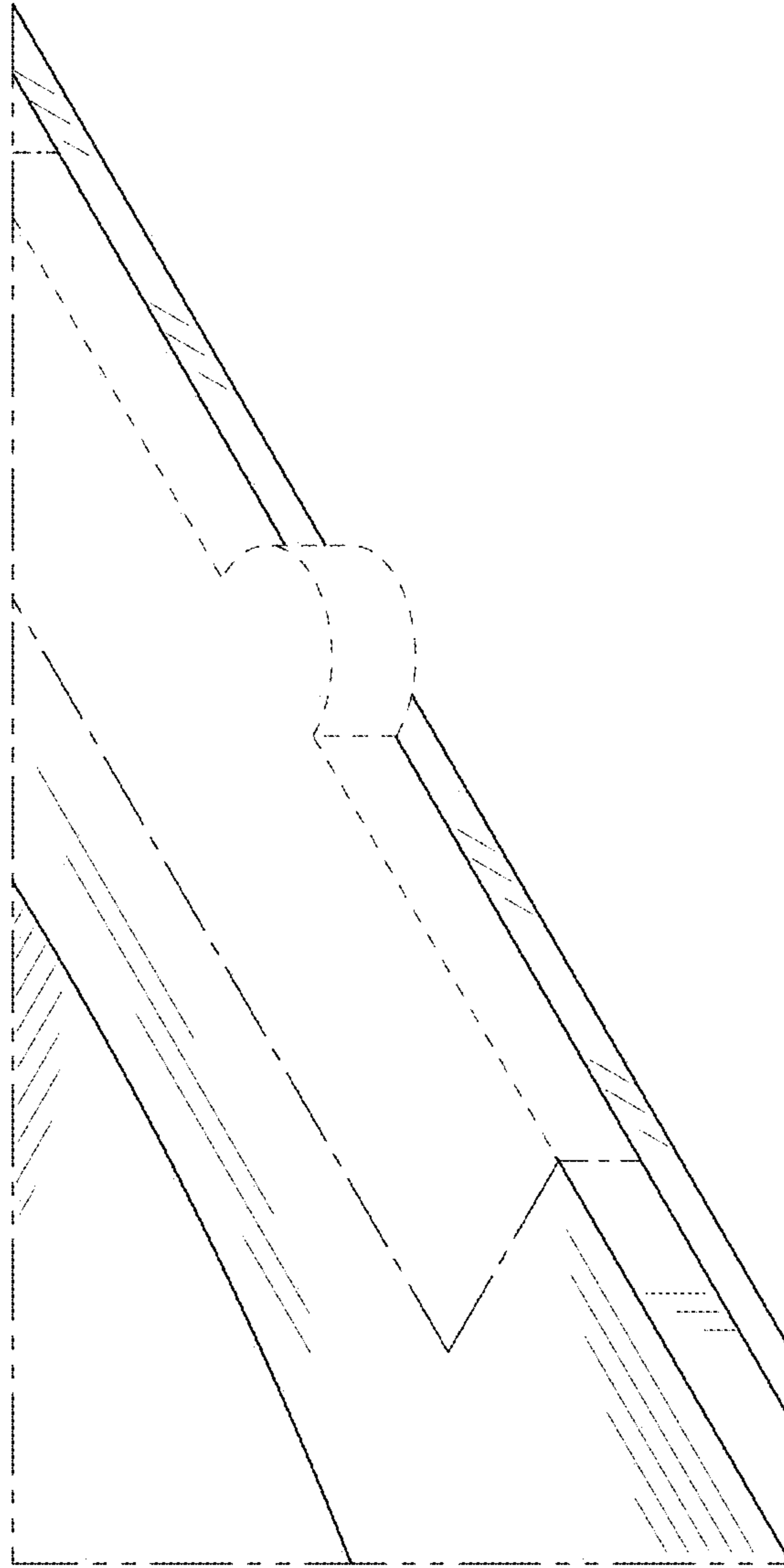


FIG. 11

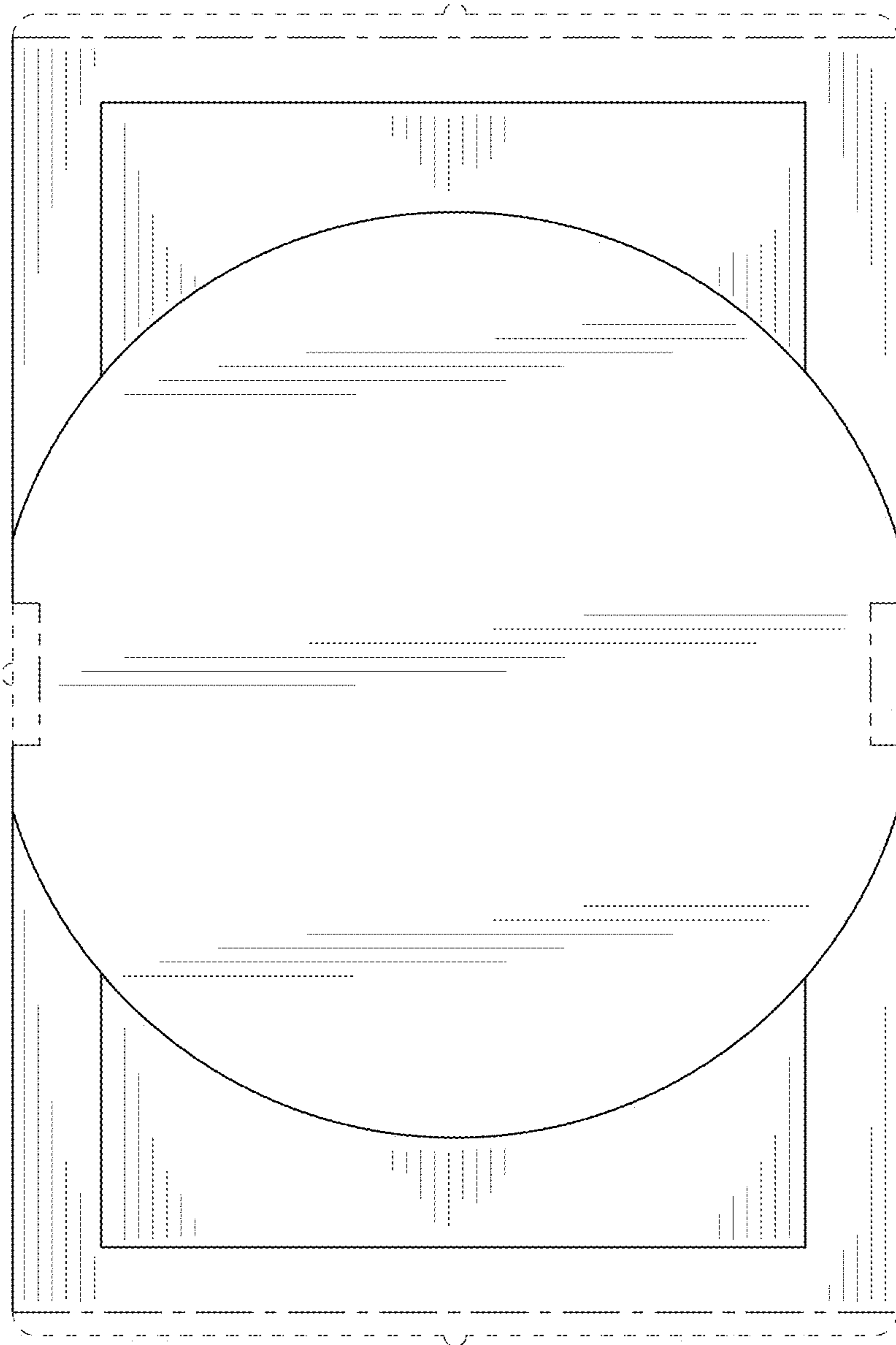


FIG. 12

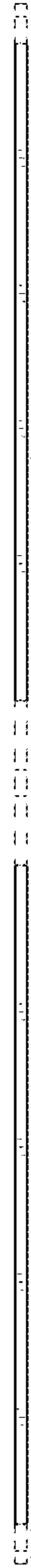


FIG. 13



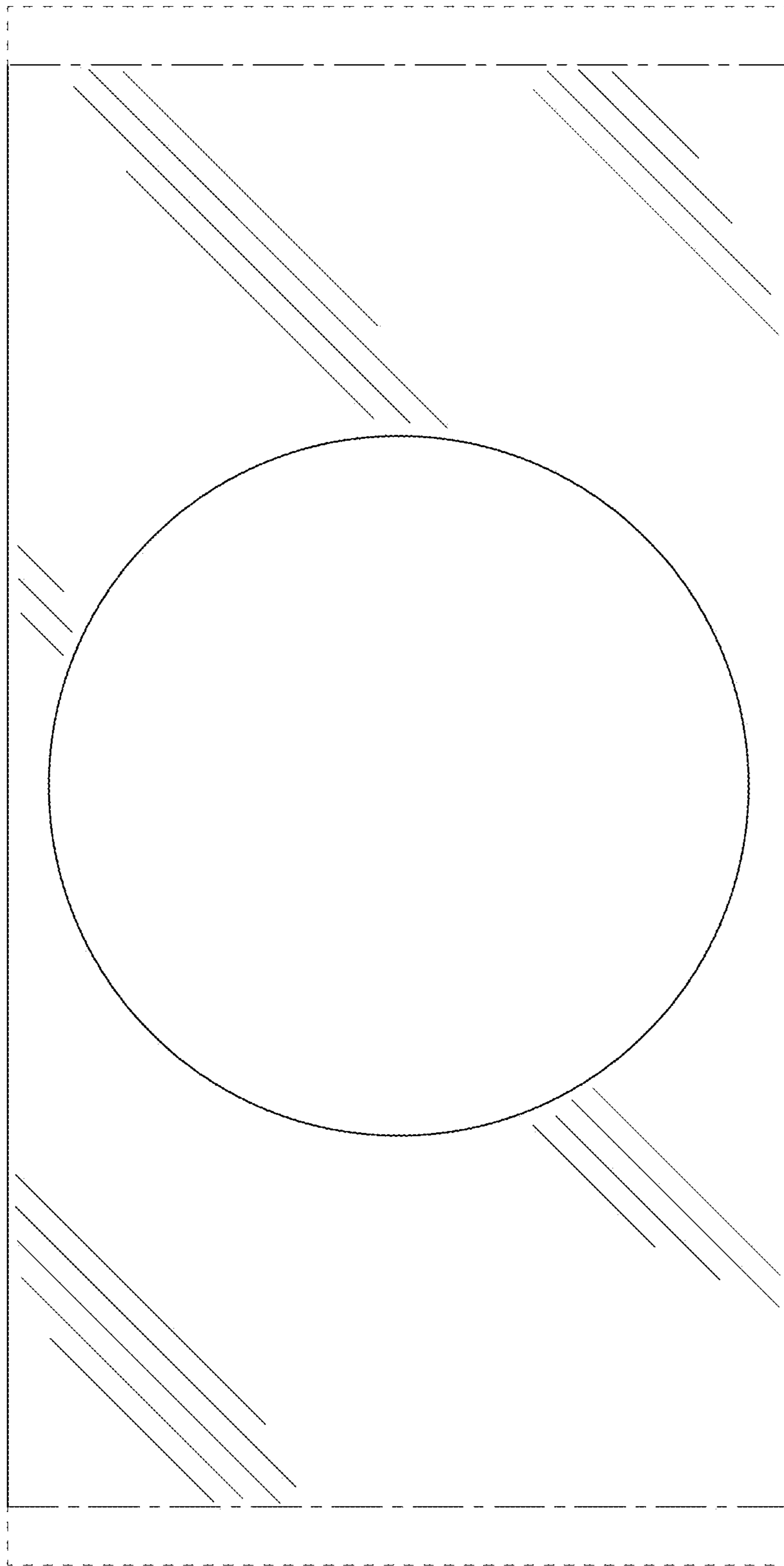


FIG. 14



FIG. 15

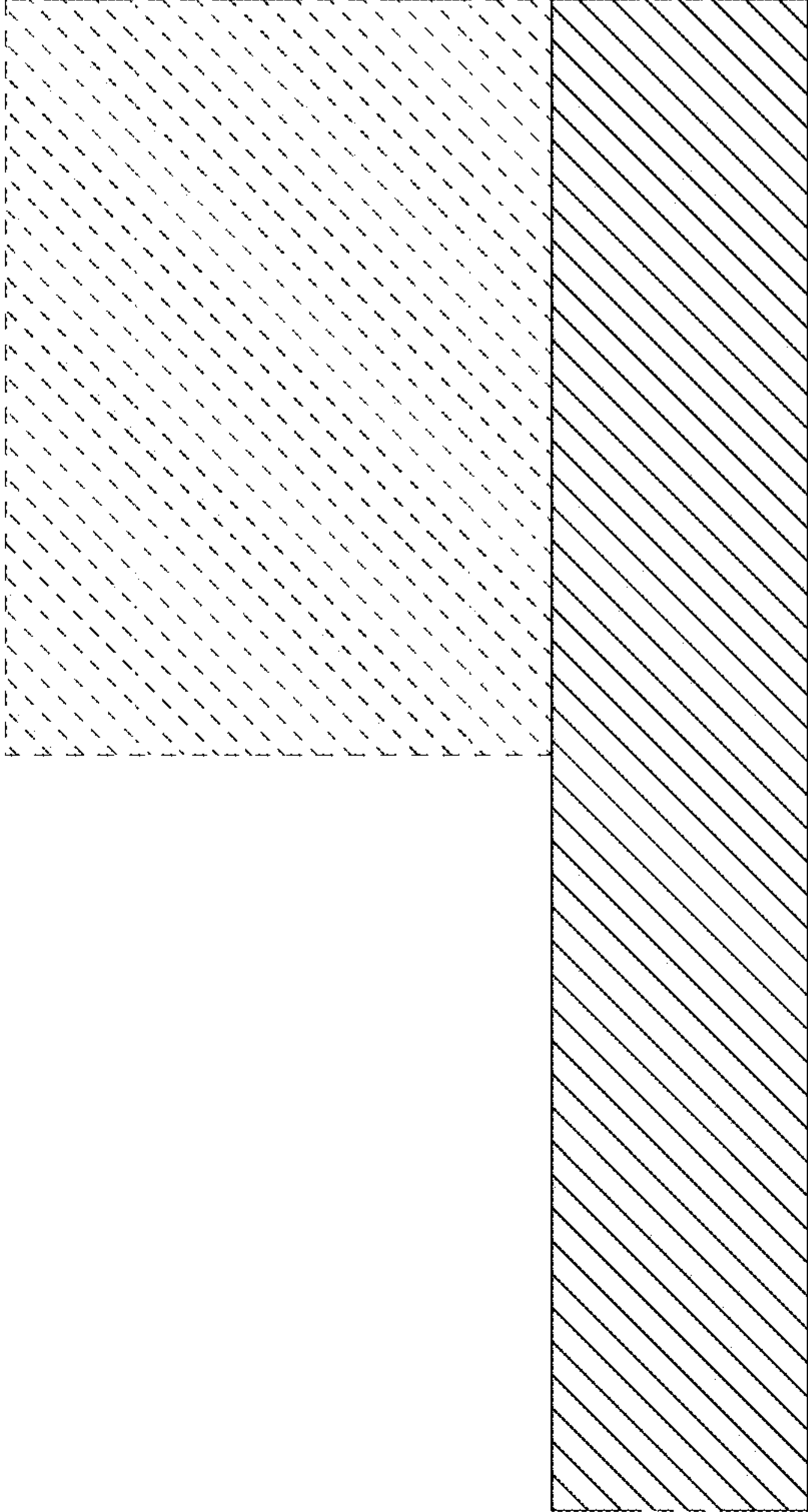


FIG. 16

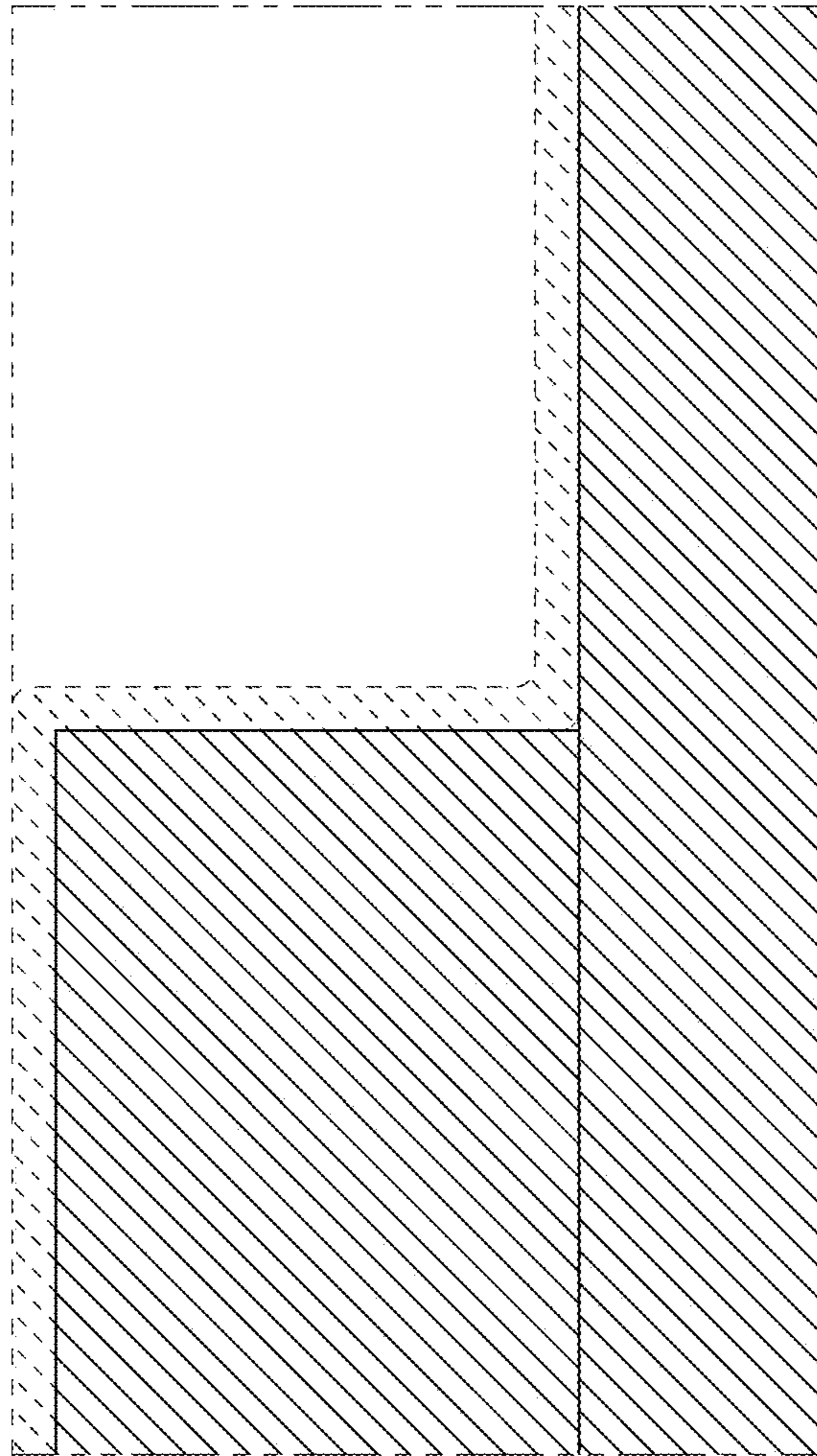


FIG. 17

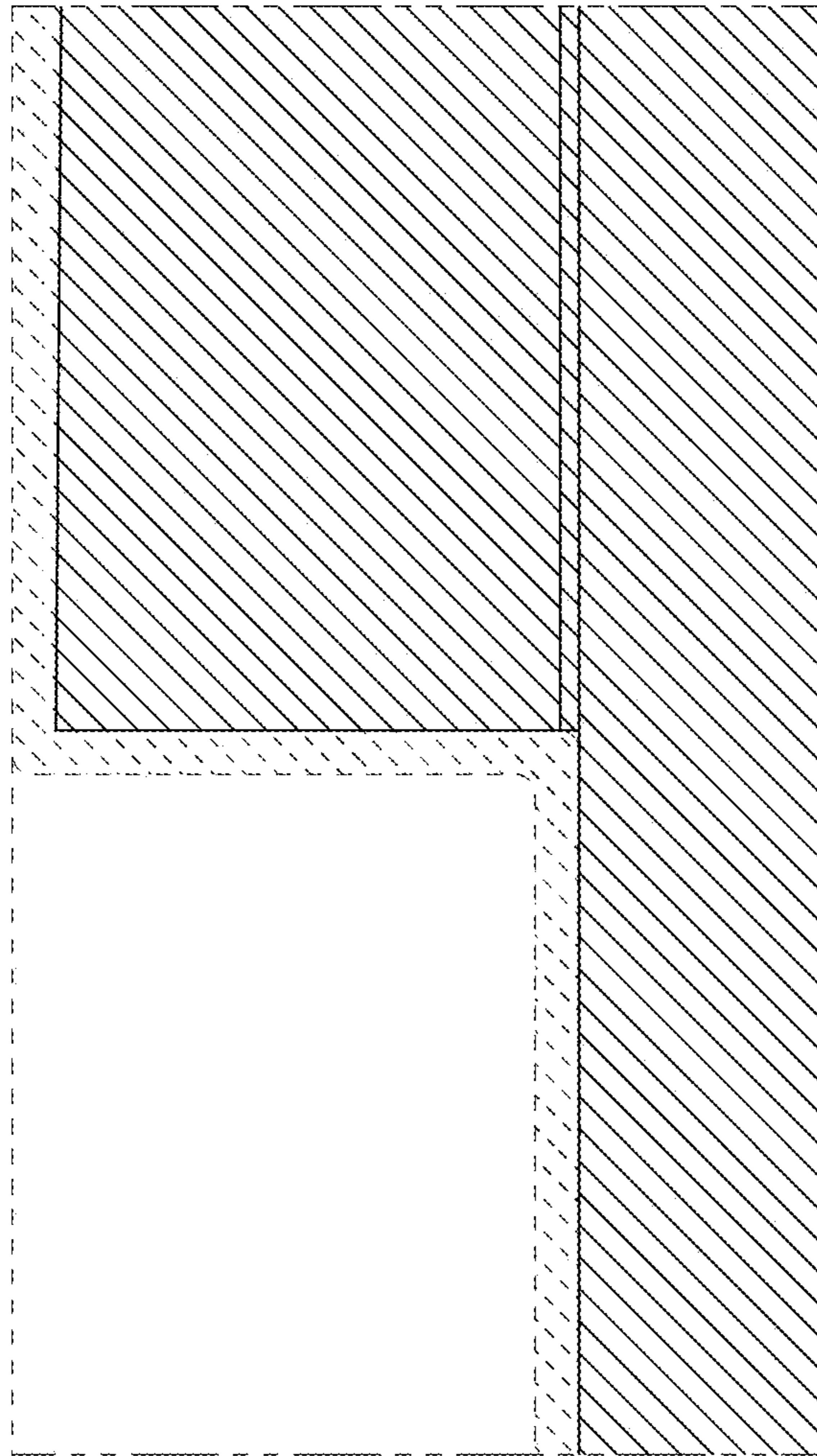


FIG. 18

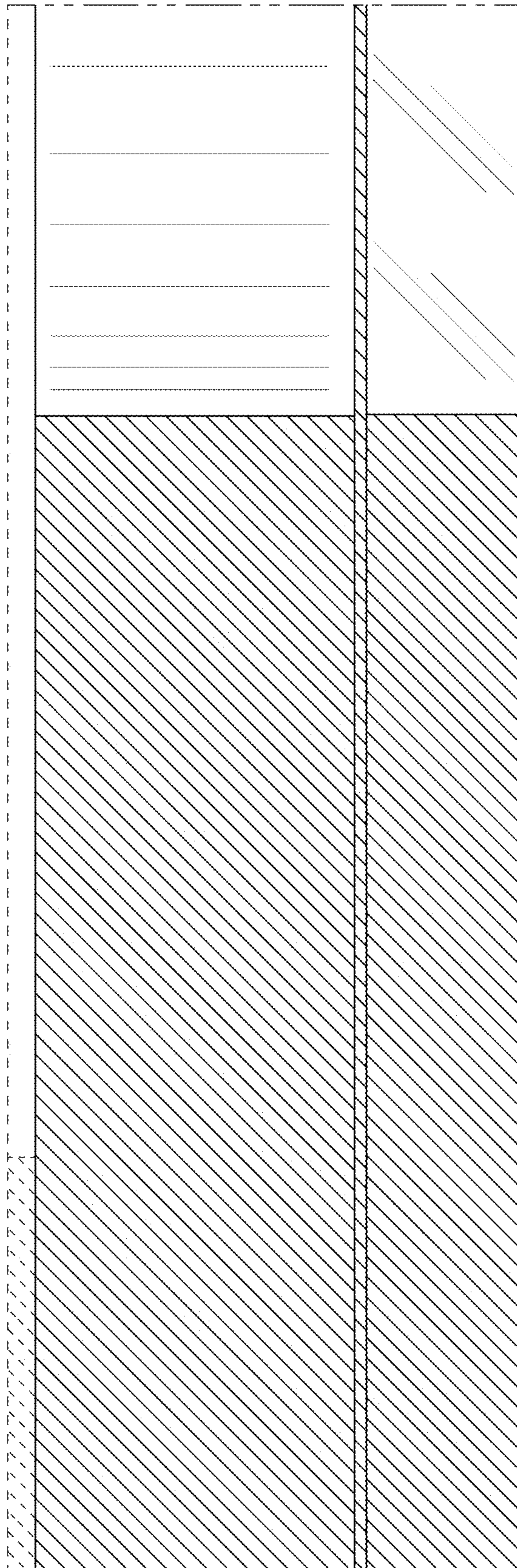


FIG. 19

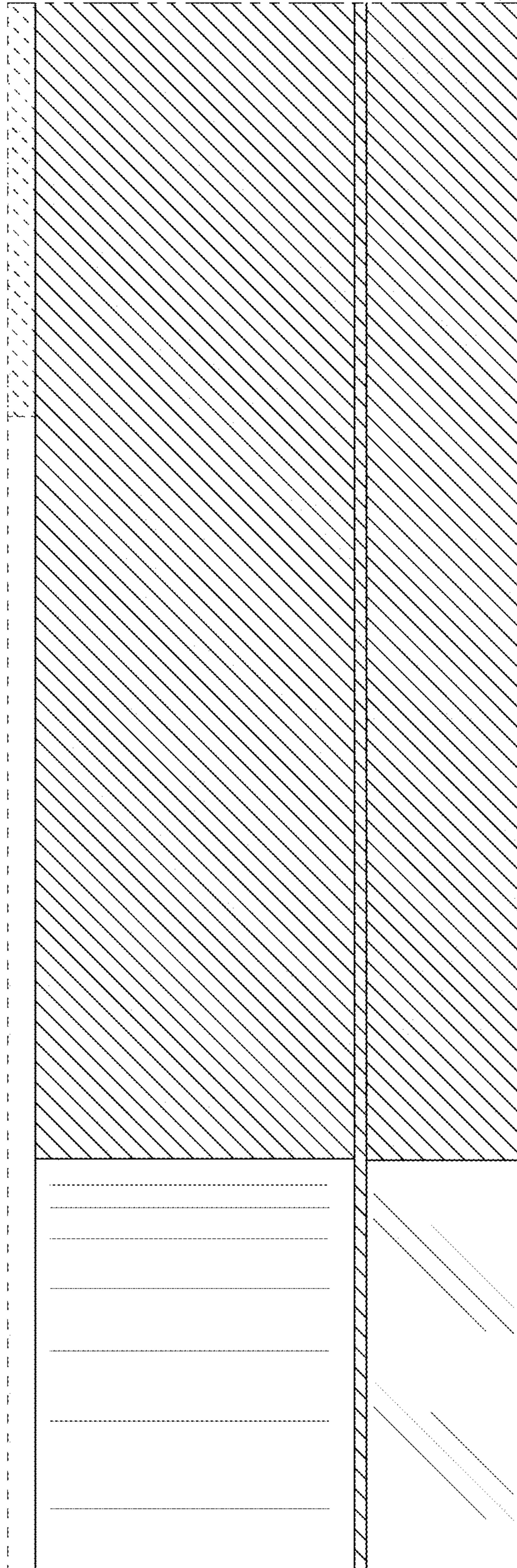
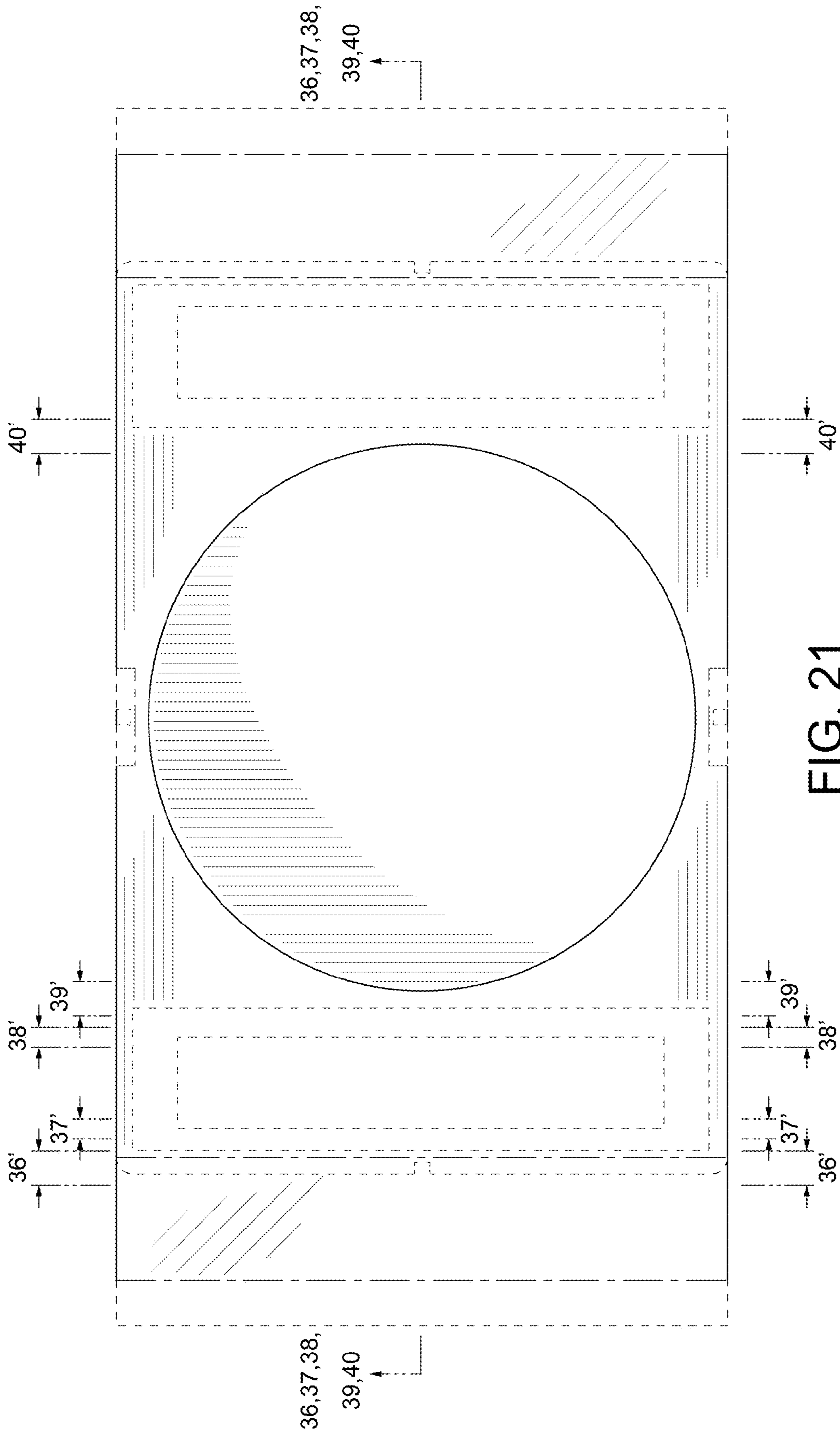


FIG. 20





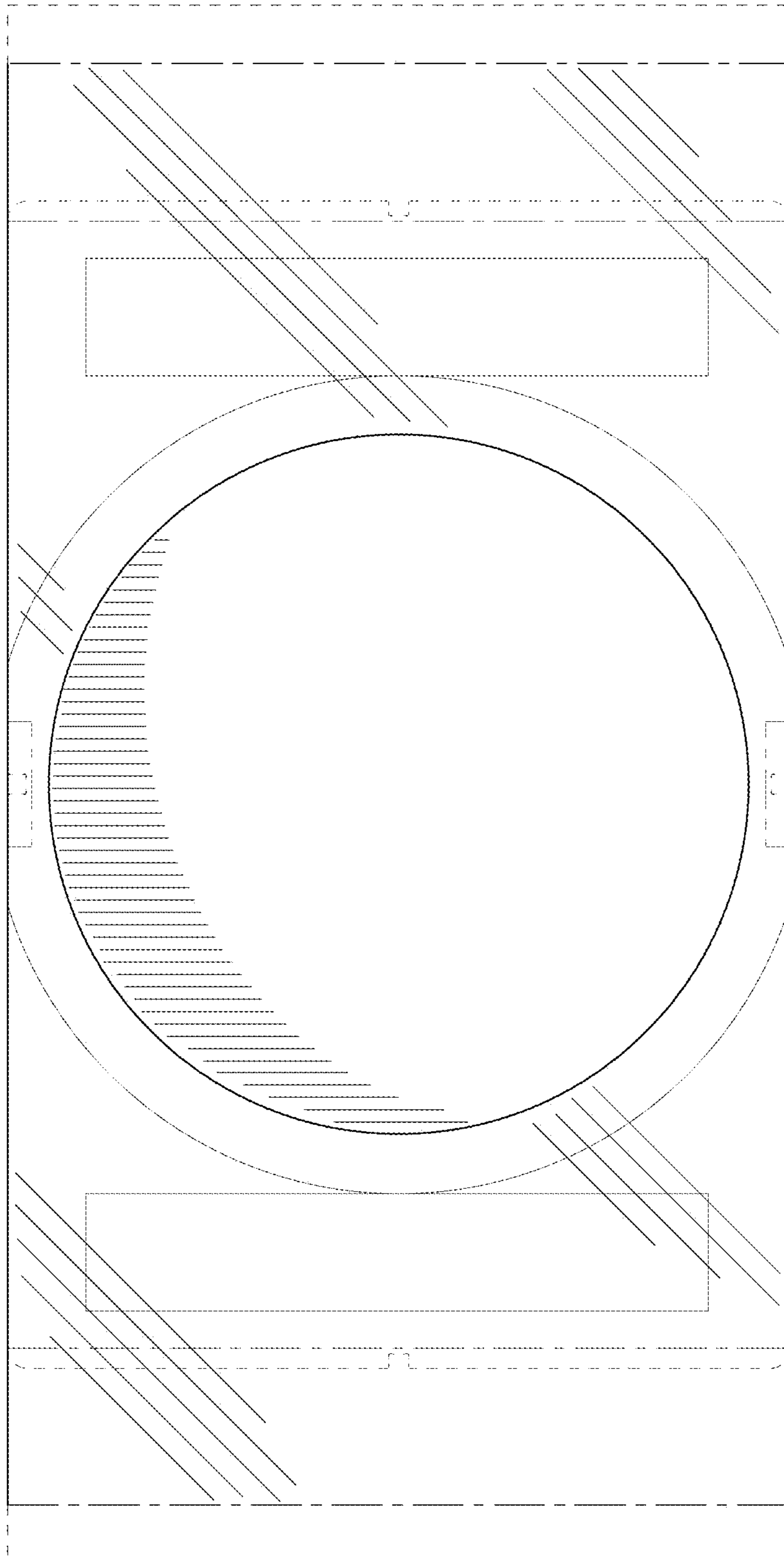


FIG. 22

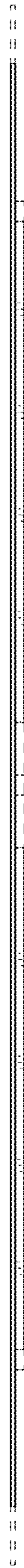


FIG. 23

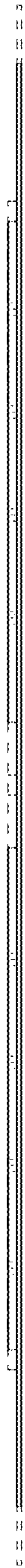


FIG. 24

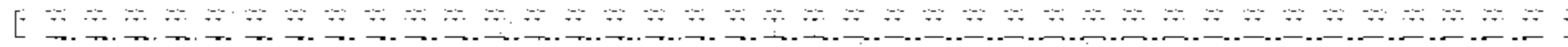


FIG. 25

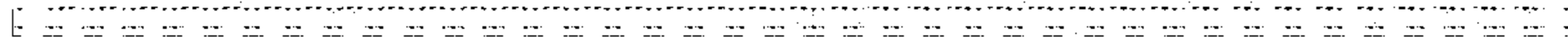


FIG. 26

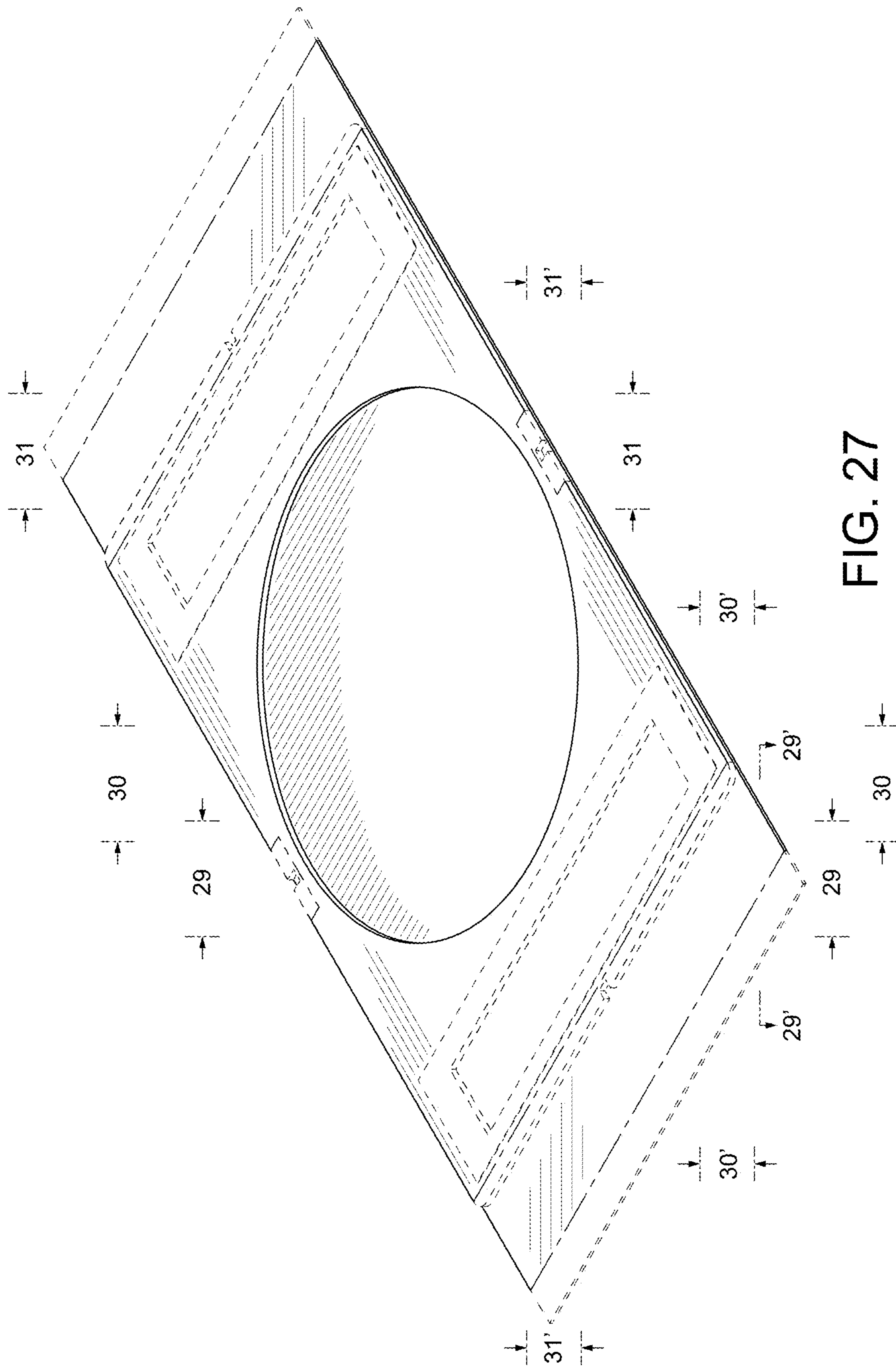


FIG. 27

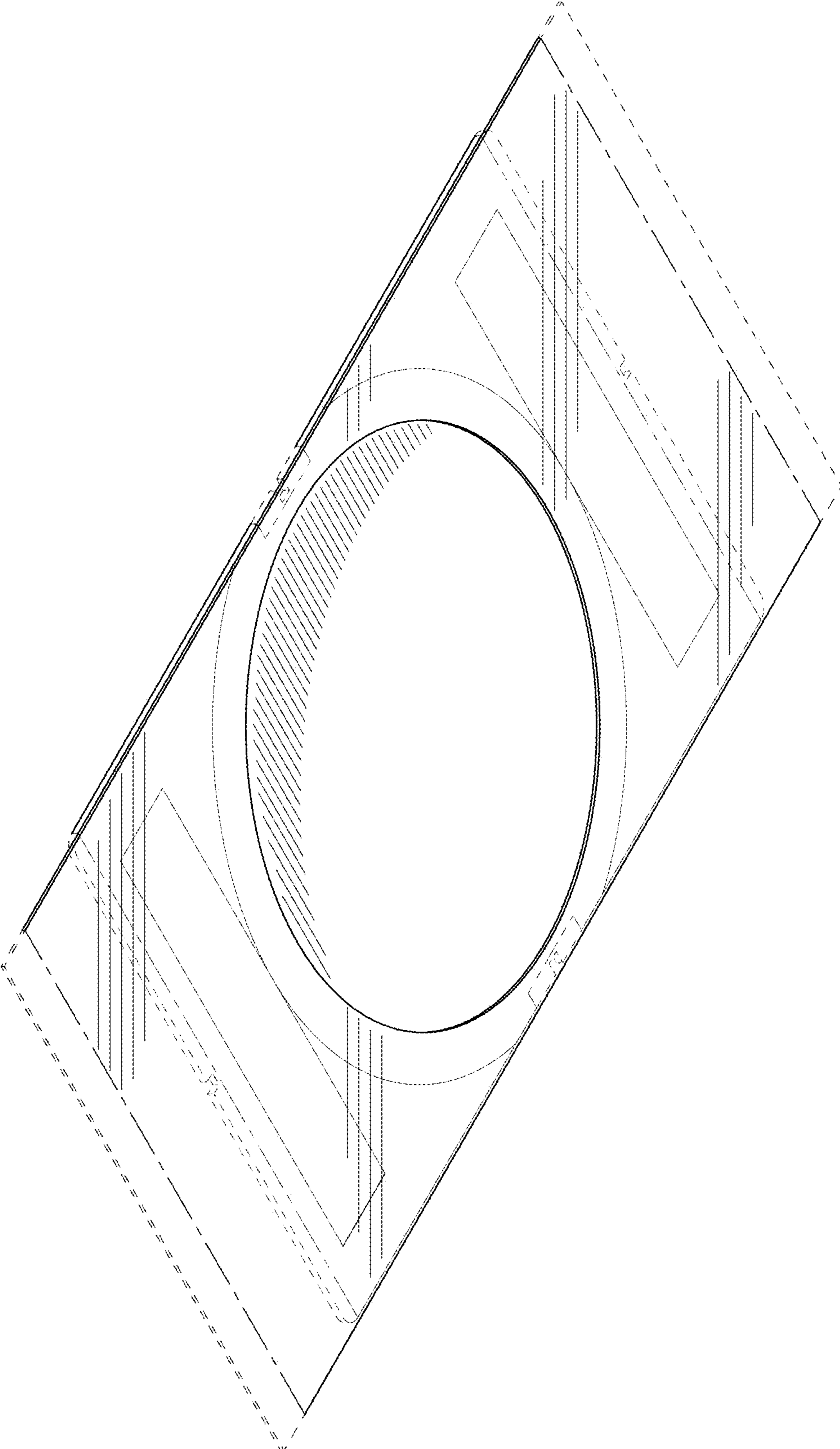


FIG. 28

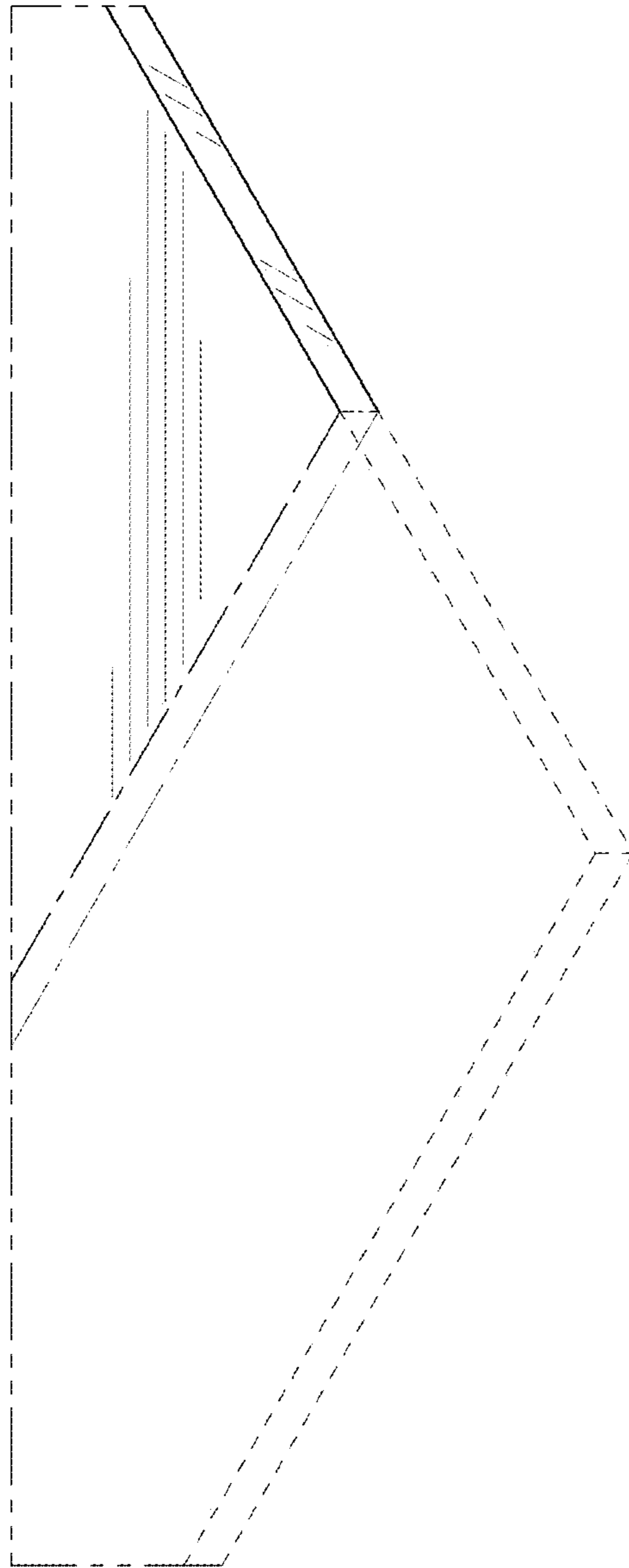


FIG. 29



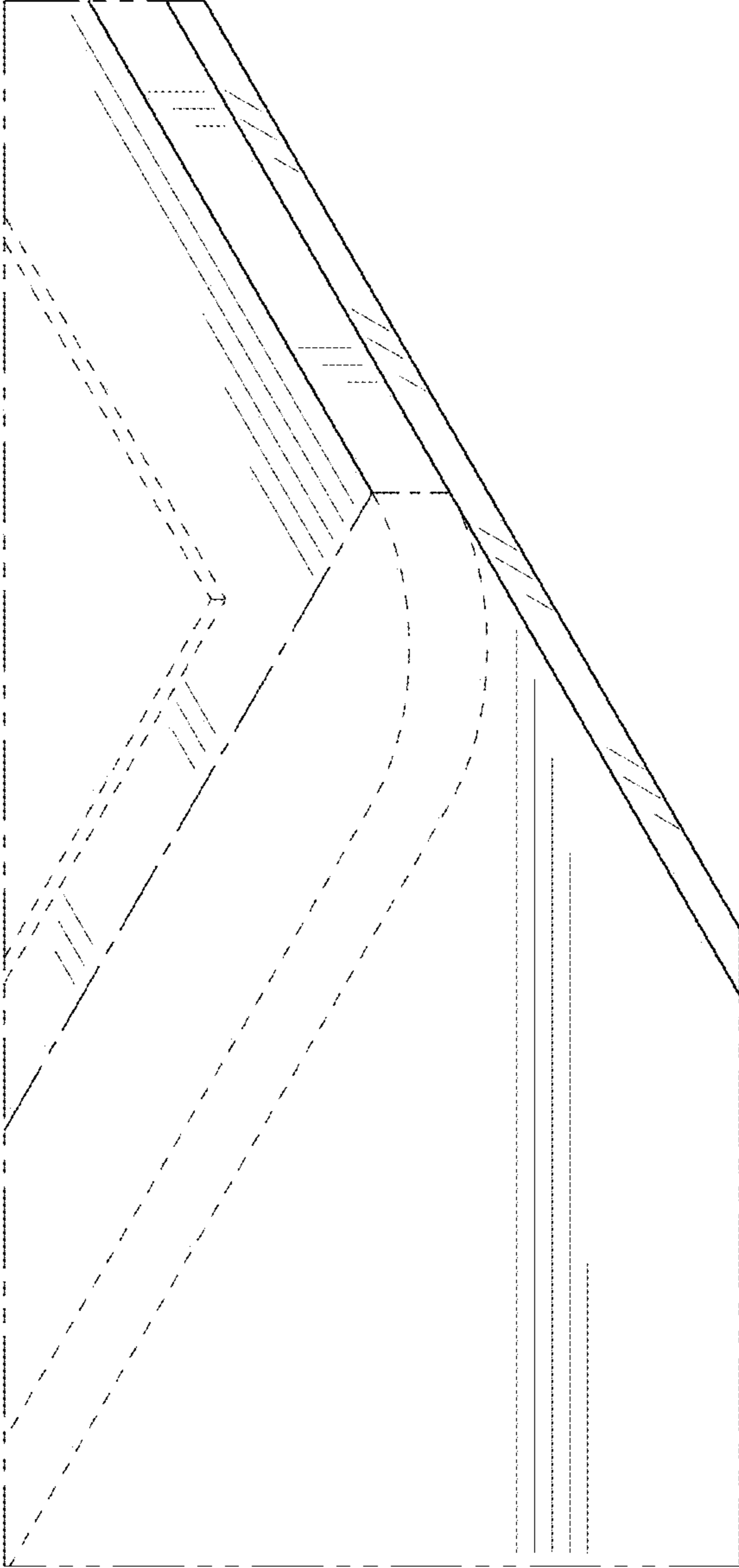


FIG. 30

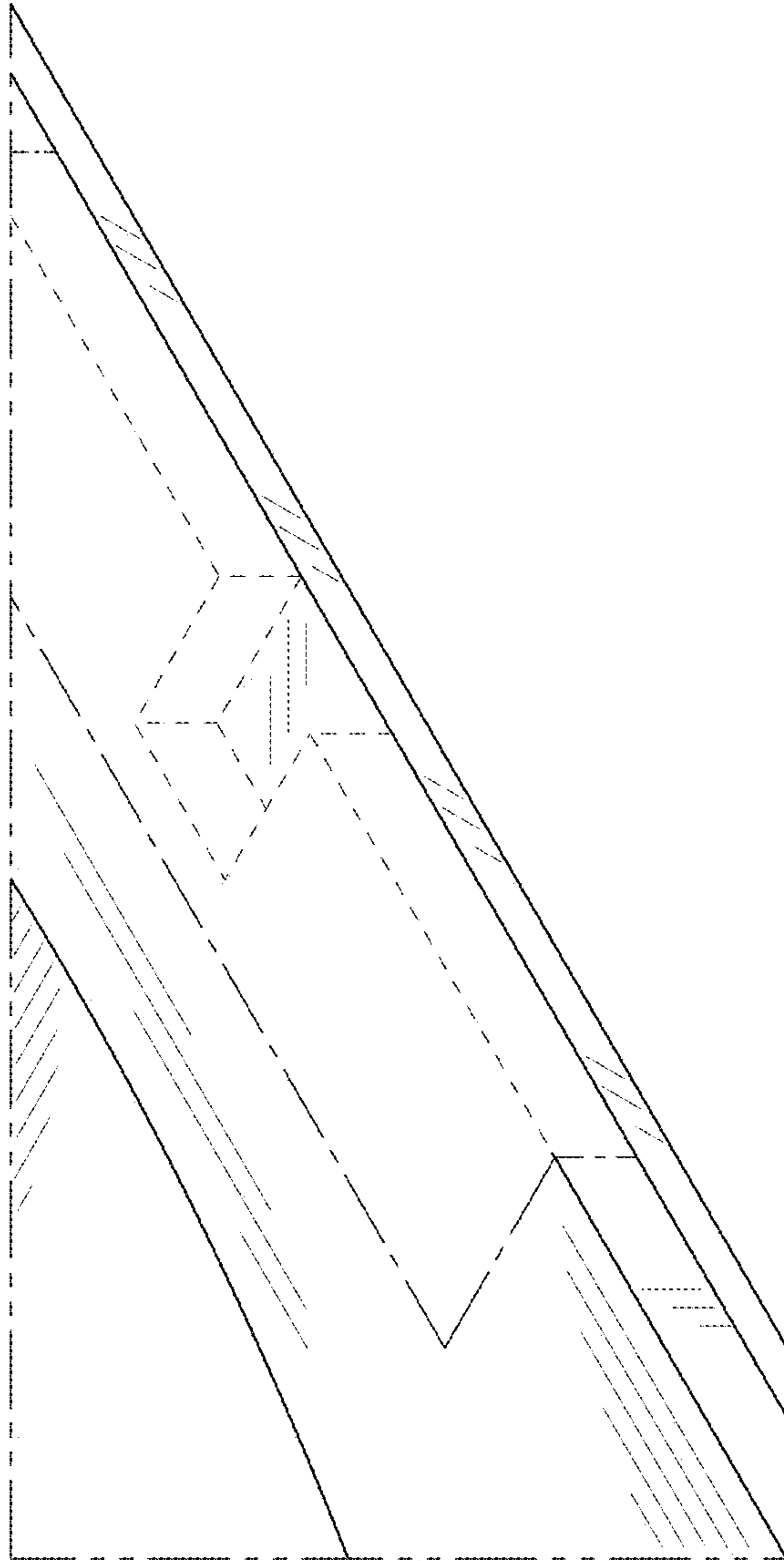


FIG. 31

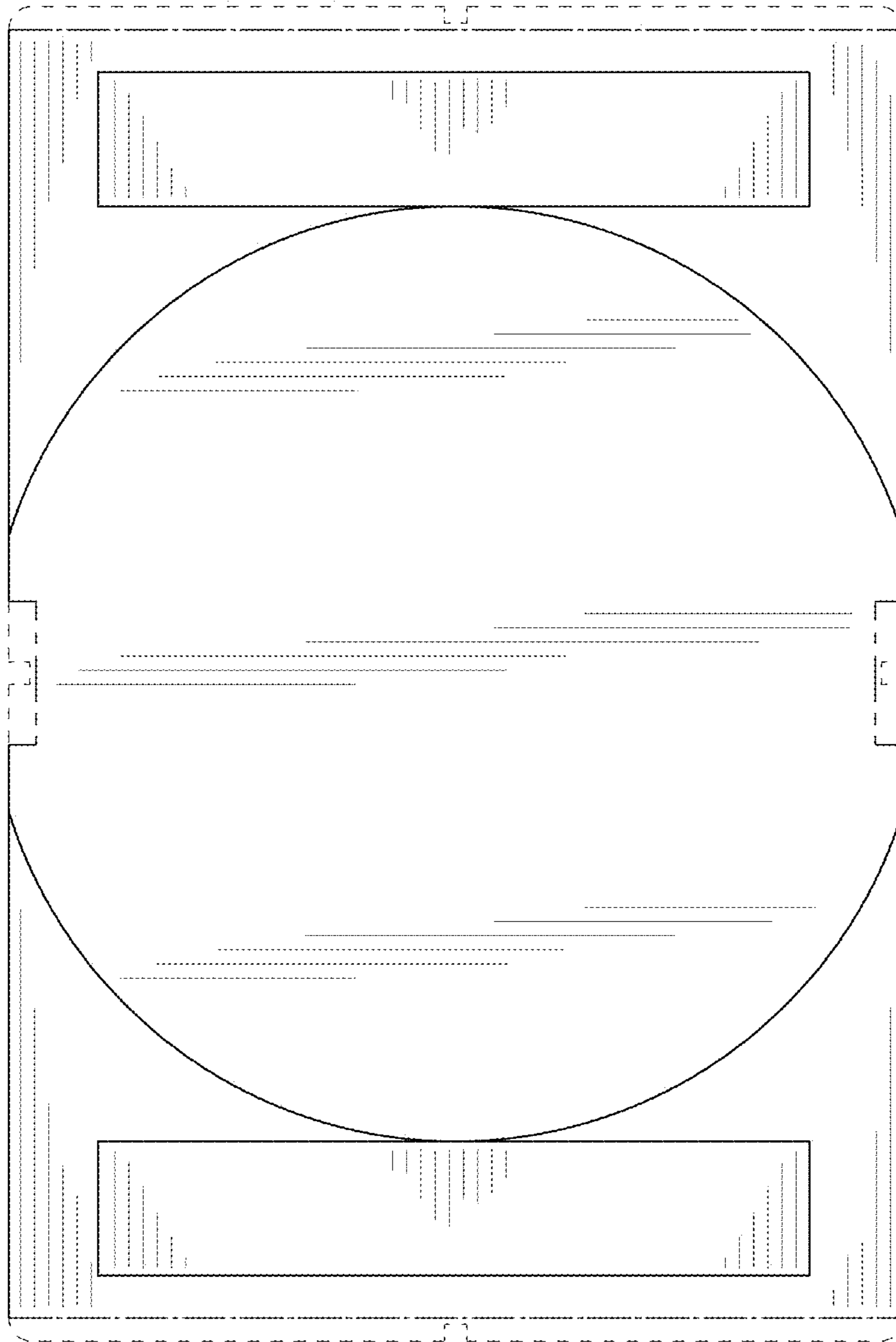


FIG. 32



FIG. 33

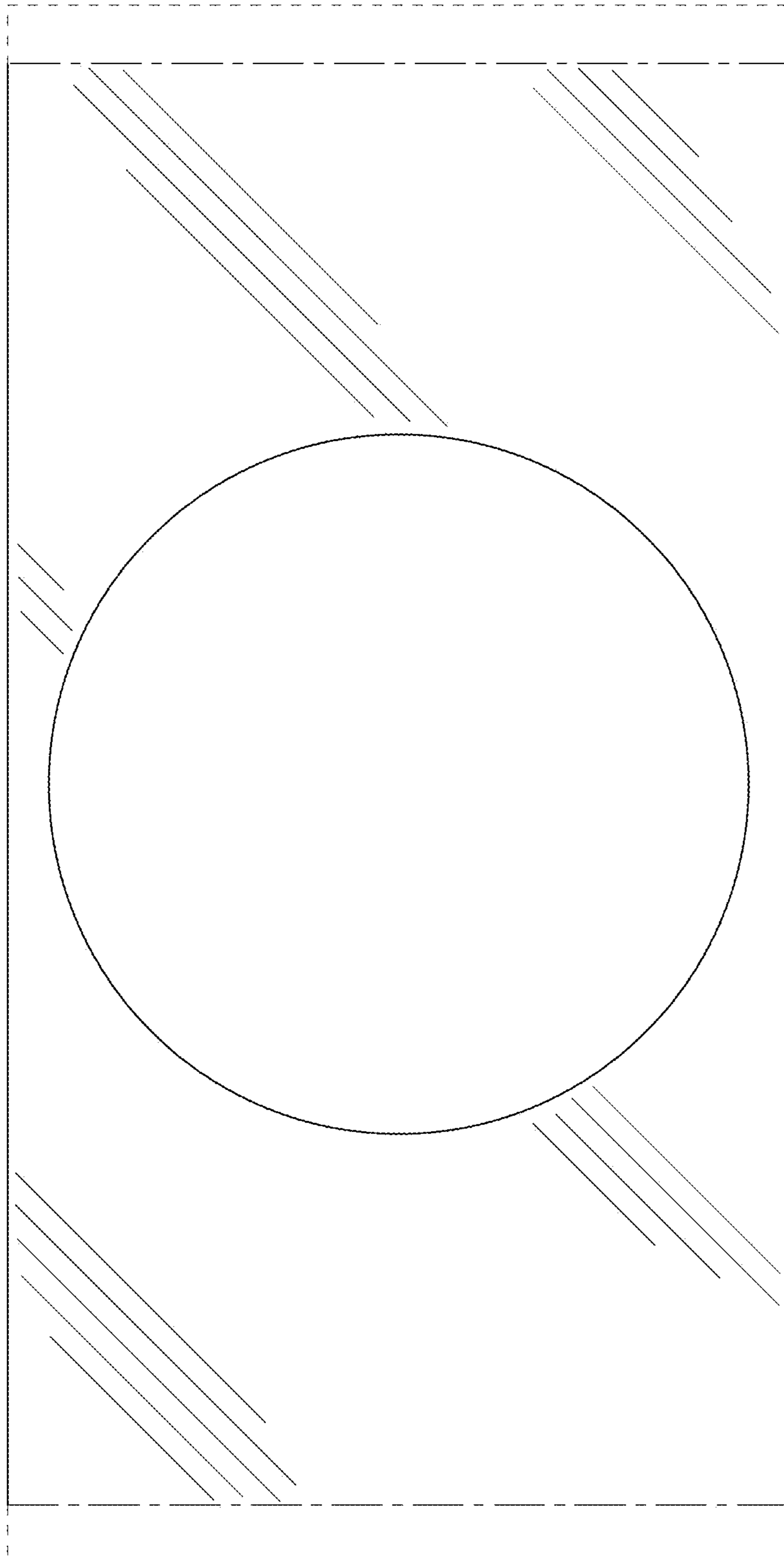


FIG. 34



FIG. 35

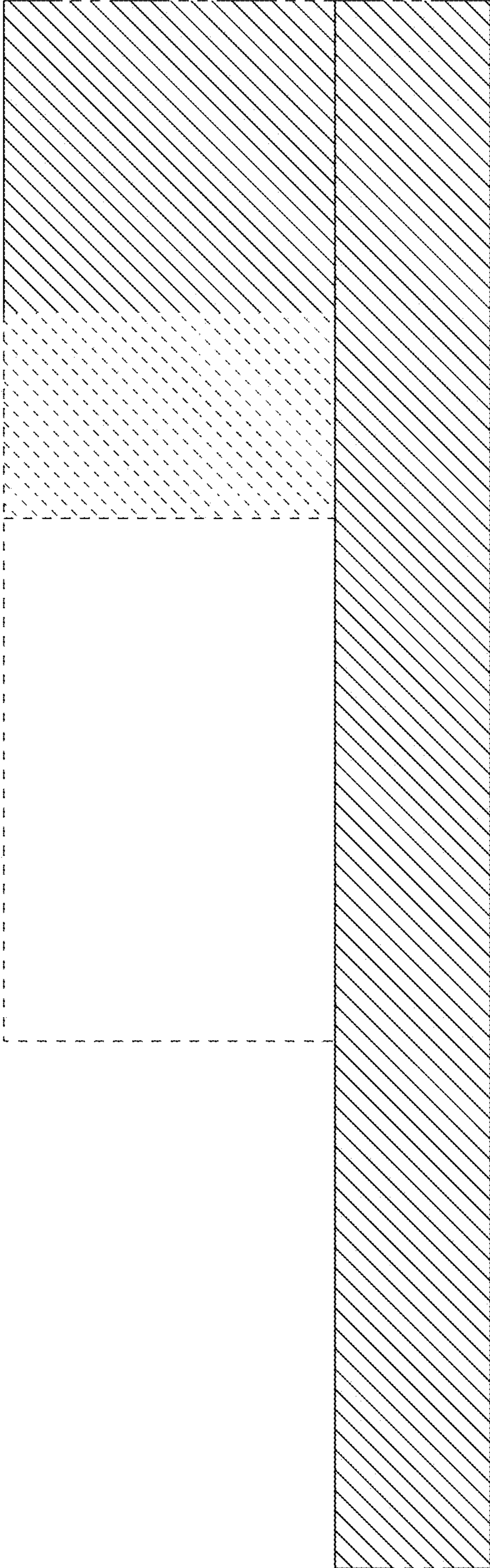


FIG. 36

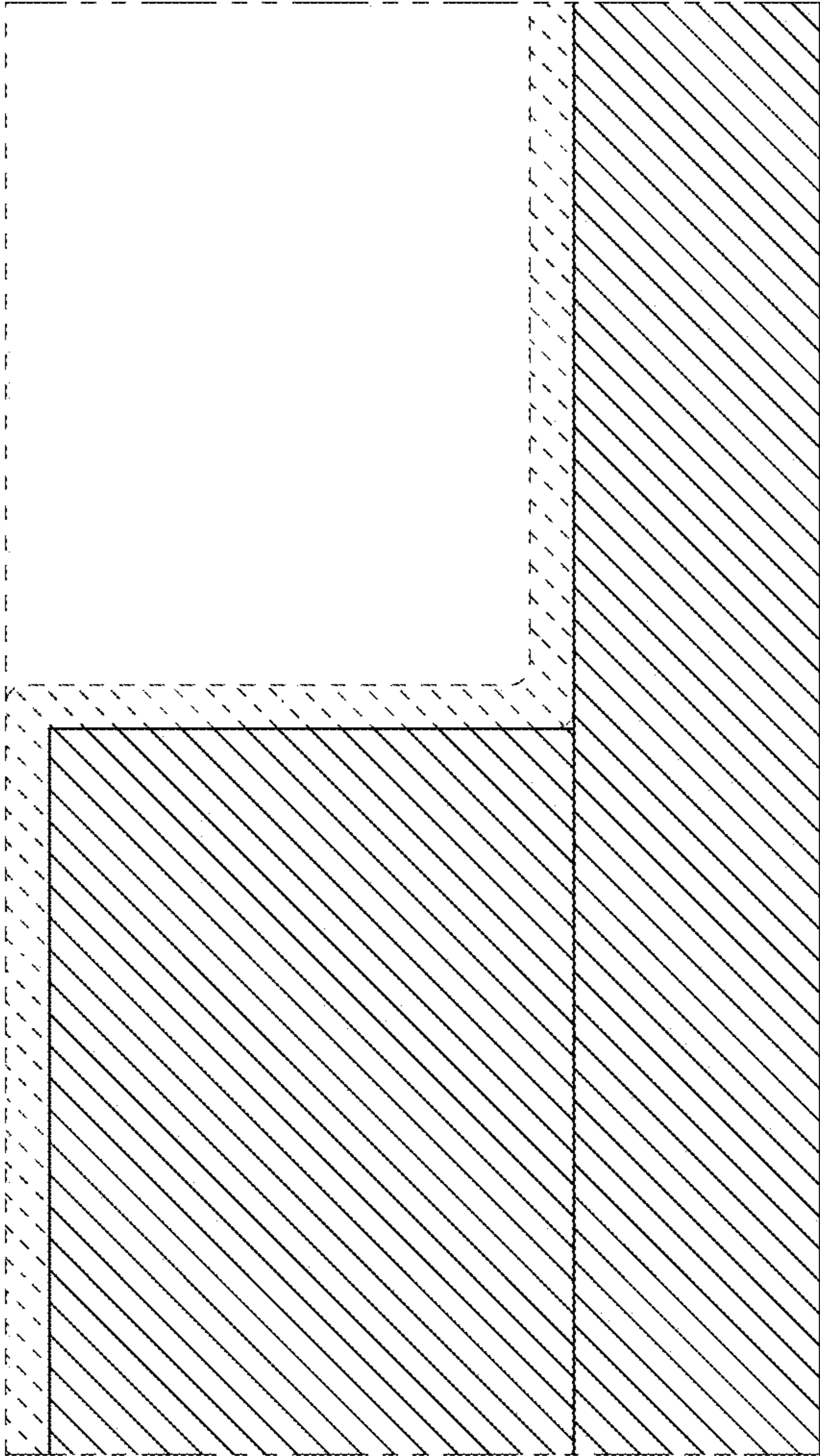


FIG. 37



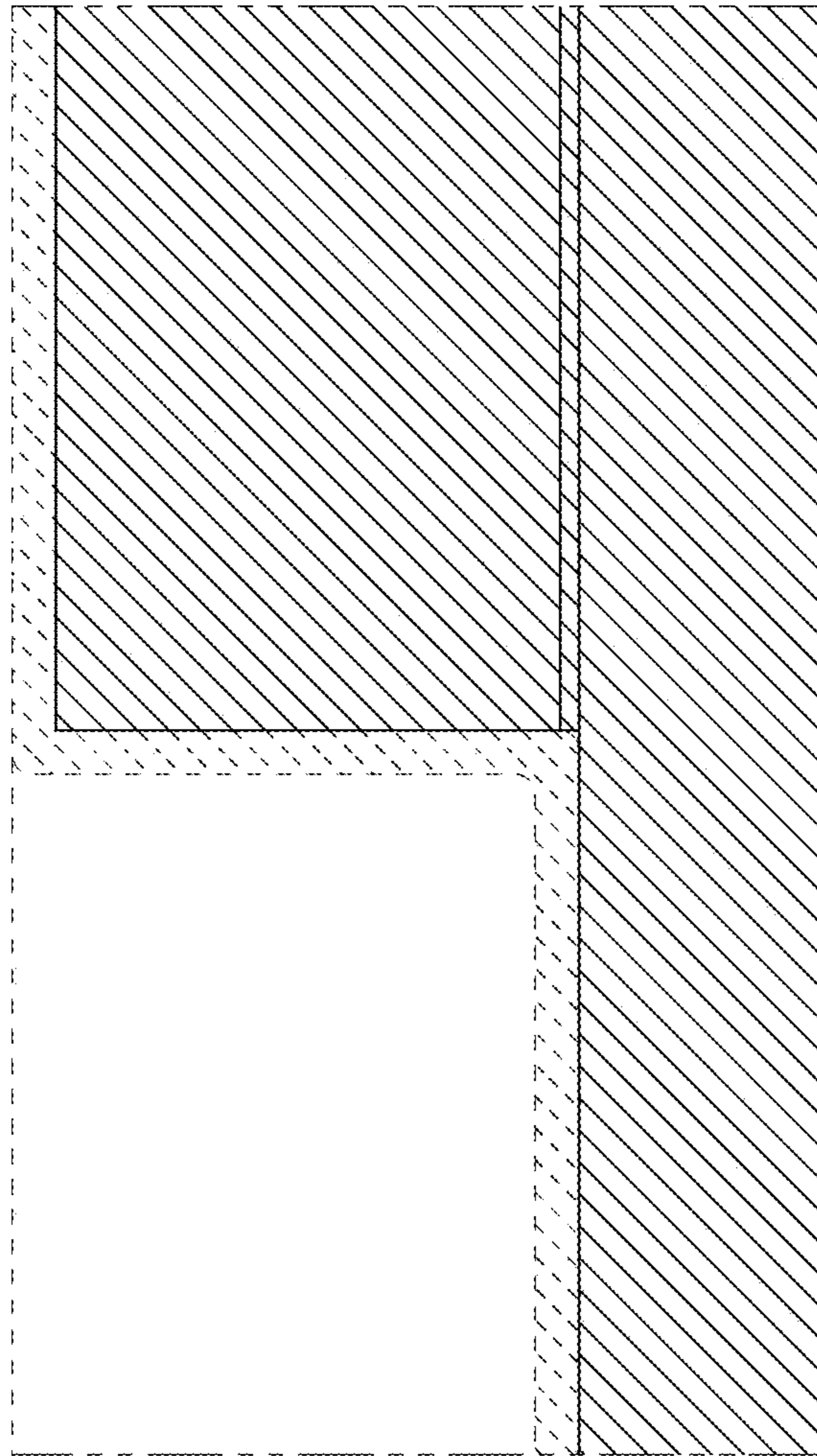


FIG. 38

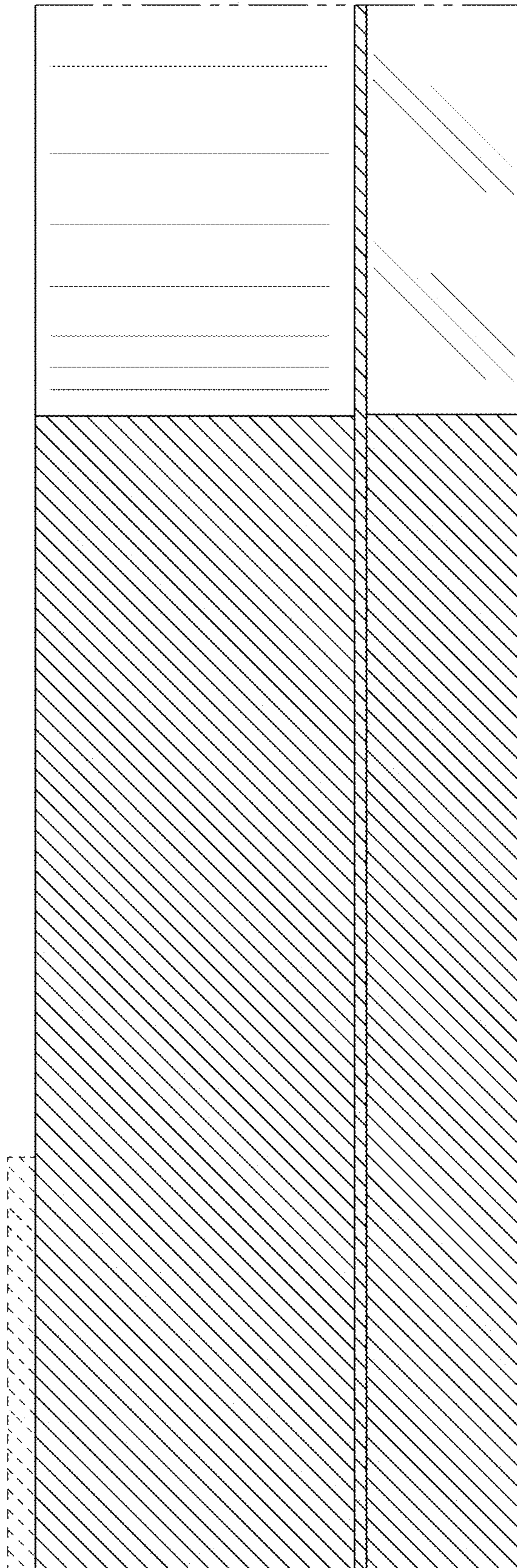


FIG. 39

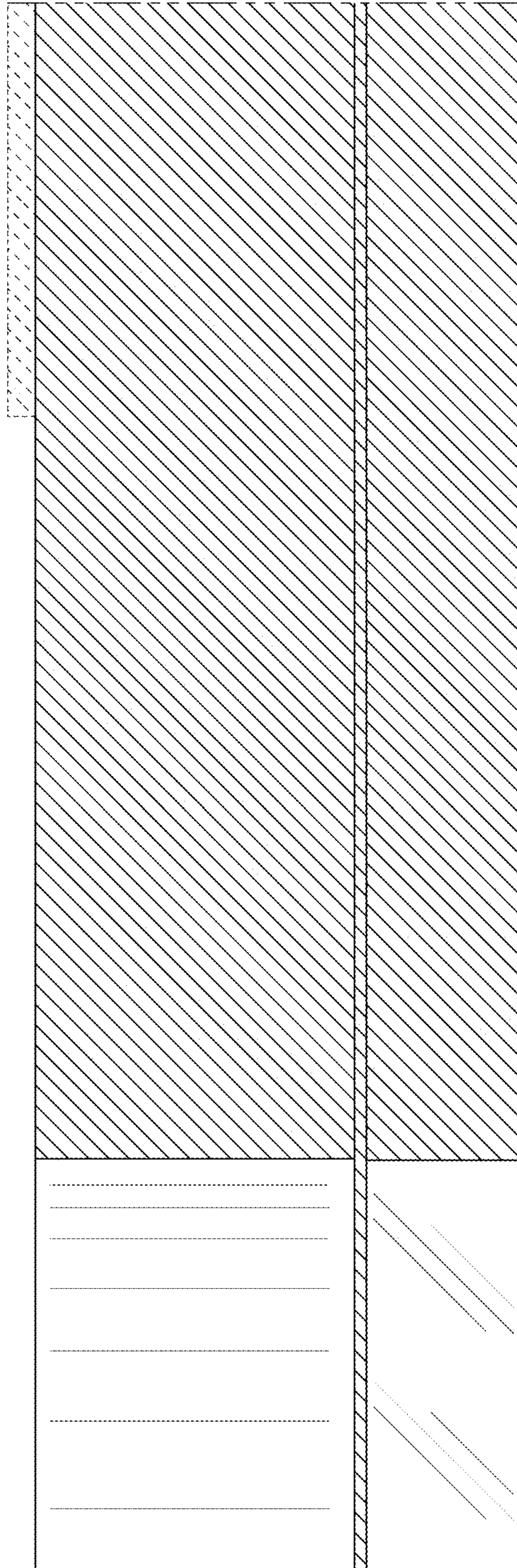


FIG. 40