



US00D894420S

(12) **United States Design Patent** (10) **Patent No.:** **US D894,420 S**
Nemeth (45) **Date of Patent:** **** Aug. 25, 2020**

(54) **THREADED BEAKER HANDLE TOP**

(57) **CLAIM**

(71) Applicant: **Lee L. Nemeth**, Prospect, CT (US)

I claim the ornamental design for a threaded beaker handle top, as shown and described.

(72) Inventor: **Lee L. Nemeth**, Prospect, CT (US)

(**) Term: **15 Years**

DESCRIPTION

(21) Appl. No.: **29/638,041**

(22) Filed: **Feb. 23, 2018**

(51) **LOC (12) Cl.** **24-02**

(52) **U.S. Cl.**
USPC **D24/224**

(58) **Field of Classification Search**
USPC D24/121, 216, 223, 224, 225, 226;
D7/317, 321, 511, 523, 603; D9/503,
D9/504, 529, 548, 549; D30/131;
D32/53
CPC G01T 7/02; G01T 1/167; G01F 19/002
See application file for complete search history.

FIG. 1 is a left side elevational view of the threaded beaker handle top showing the invention separated from exemplary beaker;
FIG. 2 is a front elevational view of the threaded beaker handle top of the invention separated from the exemplary beaker;
FIG. 3 is a top perspective view of the threaded beaker handle top of the invention separated from the exemplary beaker;
FIG. 4 is a left side elevational view of the threaded beaker handle top of the invention assembled on the exemplary beaker, the right side view would be a mirror image thereof;
FIG. 5 is a top perspective view of the threaded beaker handle top of the invention assembled on the exemplary beaker;
FIG. 6 is a bottom perspective view of the threaded beaker handle top of the invention assembled on the exemplary beaker;
FIG. 7 is a bottom plan view of the threaded beaker handle top of the invention assembled on the exemplary beaker;
FIG. 8 is a top plan view of the threaded beaker handle top of the invention;
FIG. 9 is a bottom plan view of the threaded beaker handle top showing the exemplary beaker removed;
FIG. 10 is a left side elevation view of the threaded beaker handle top of the invention, the right side view would be a mirror image thereof;
FIG. 11 is a top perspective view of the threaded beaker handle top of the invention; and,
FIG. 12 is a bottom perspective view of the threaded beaker handle top of the invention.
The broken lines defining the exemplary beaker are shown for illustrative purposes only and form no part of the claimed design.

(56) **References Cited**

U.S. PATENT DOCUMENTS

D523,752 S * 6/2006 Bried D9/504
D603,703 S * 11/2009 Daggett B65D 43/161
D9/449
D696,790 S 12/2013 Nemeth
D717,469 S * 11/2014 Nemeth D24/224
(Continued)

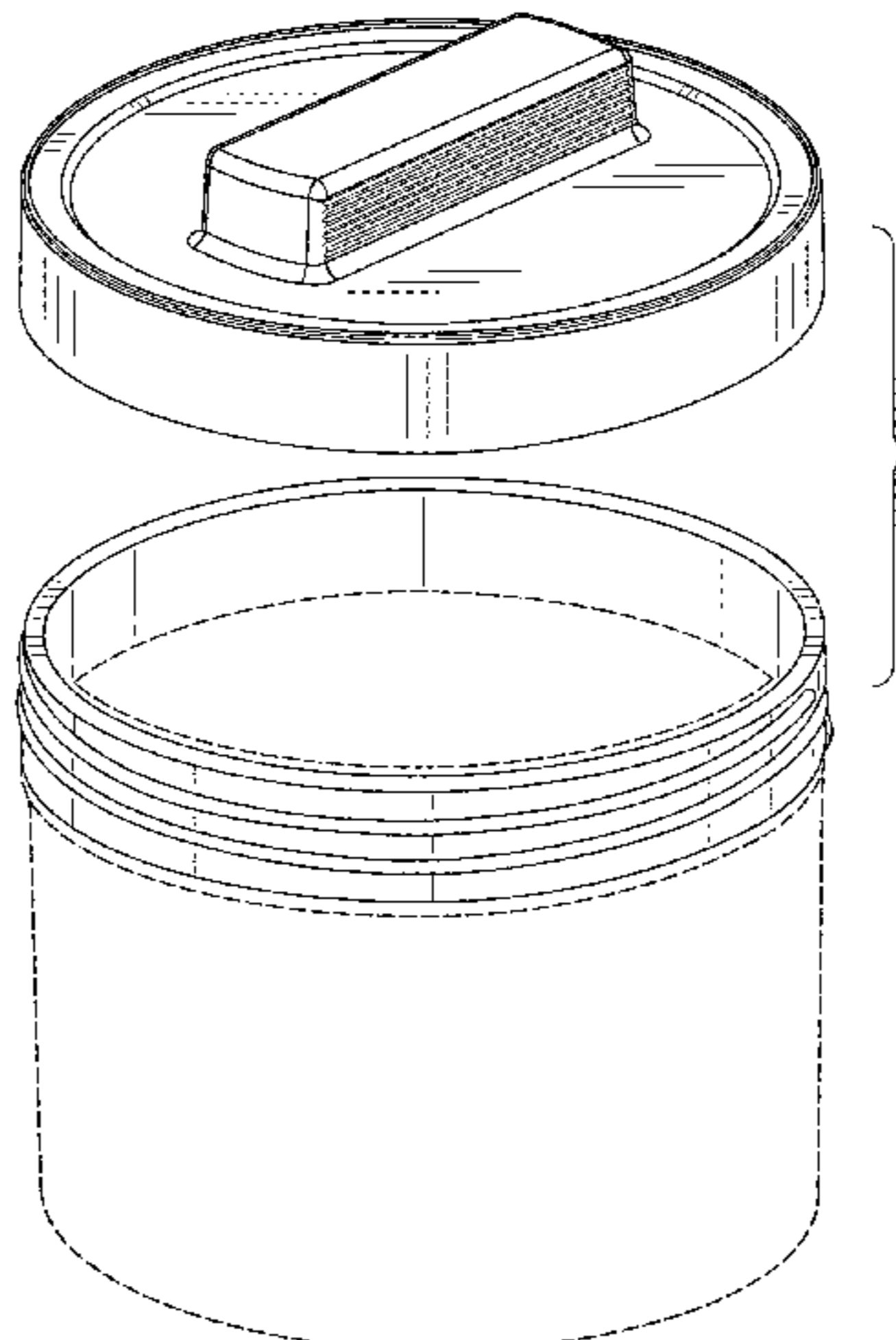
OTHER PUBLICATIONS

Whitefurze Screw Top Beaker, 0.4L, Clear. Online, published date unknown. Retrieved on May 4, 2019 from URL: <https://mahahome.com/p/Whitefurze/Kitchen-Display-Storage-Food-Storage/Whitefurze-Screw-Top-Beaker-04L-Clear/5016447600708>.*

Primary Examiner — Susan Bennett Hattan
Assistant Examiner — Omeed Agilee

(74) *Attorney, Agent, or Firm* — Ware, Fressola, Maguire & Barber LLP

1 Claim, 12 Drawing Sheets



(56)

References Cited

U.S. PATENT DOCUMENTS

D719,829	S	*	12/2014	Ferber	D9/503
D734,866	S	*	7/2015	Maier	D24/224
D749,948	S	*	2/2016	Groglopo Favetto	D9/443
D755,021	S	*	5/2016	Fox	D7/672
D756,790	S	*	5/2016	Henriksson	D9/504
D770,286	S	*	11/2016	Trombetta	D9/503
D773,937	S	*	12/2016	Roth	D7/510
D795,705	S	*	8/2017	Huang	D9/738
D833,226	S	*	11/2018	Cartwright	D7/523
D839,738	S	*	2/2019	Hudson	D9/454
D842,494	S	*	3/2019	Lee	D24/224
D844,432	S	*	4/2019	Bliss	D9/443
2014/0166659	A1	*	6/2014	Antal, Sr.	B65D 43/0256 220/521

* cited by examiner

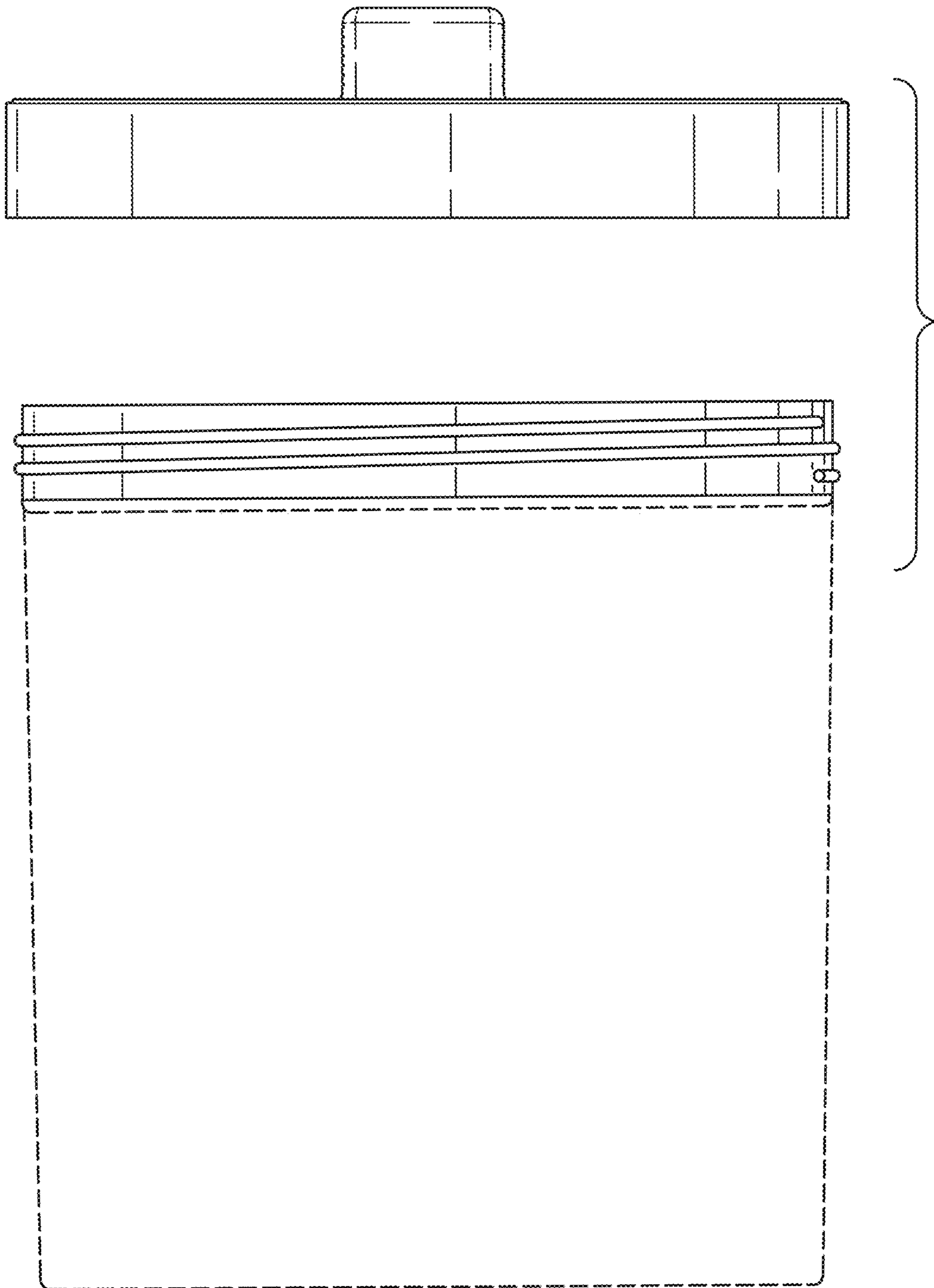


FIG. 1

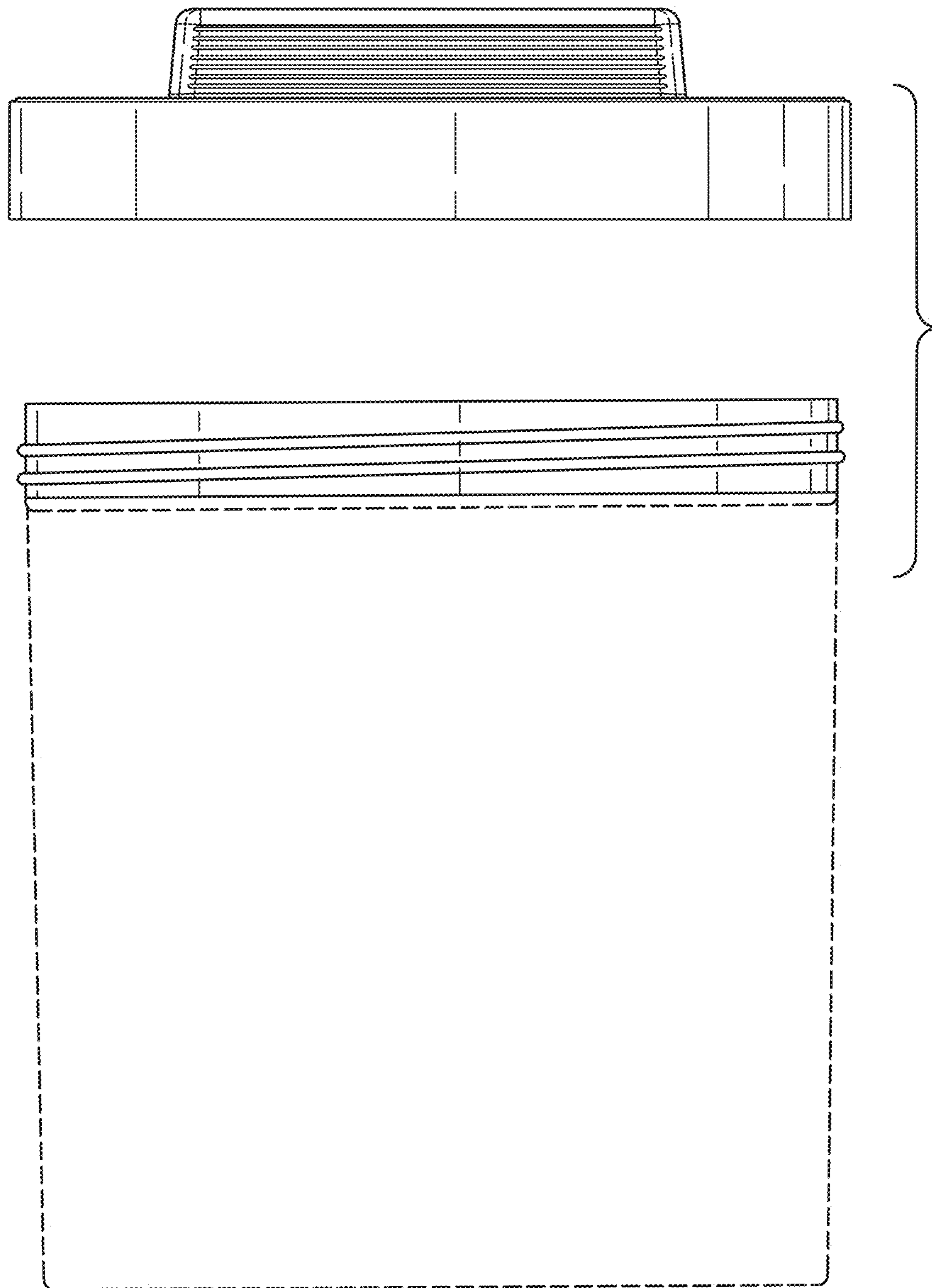


FIG. 2

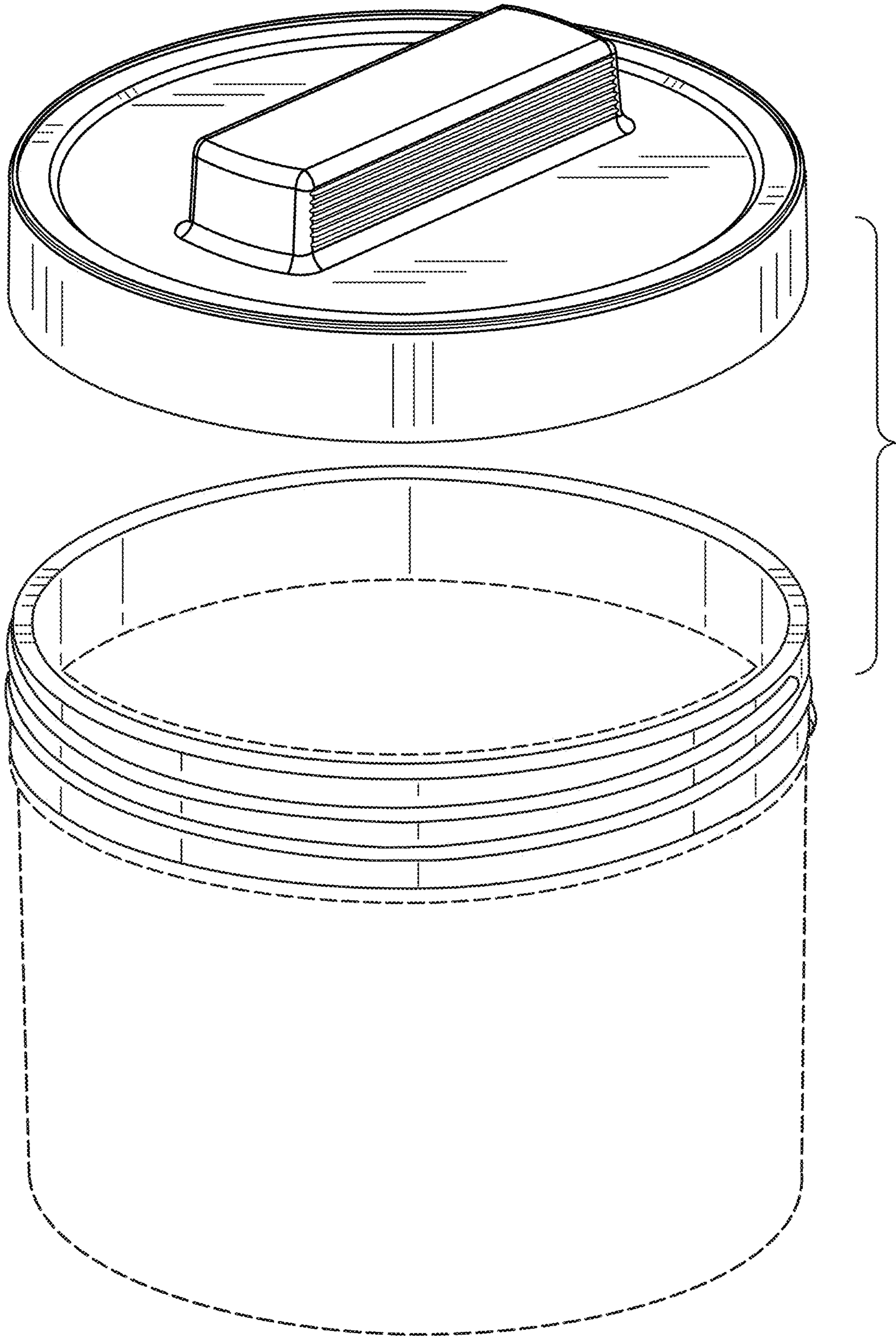


FIG. 3

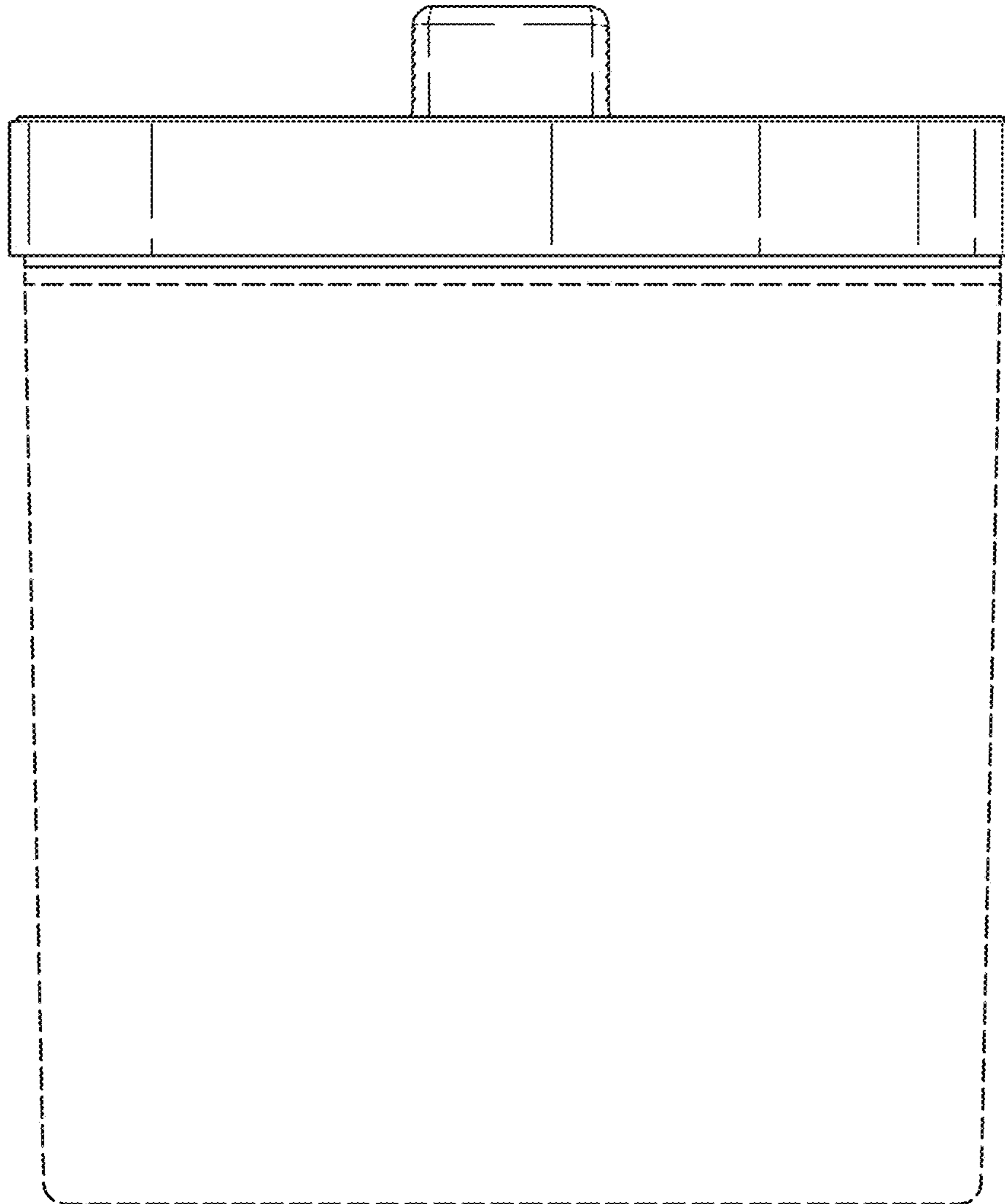


FIG. 4

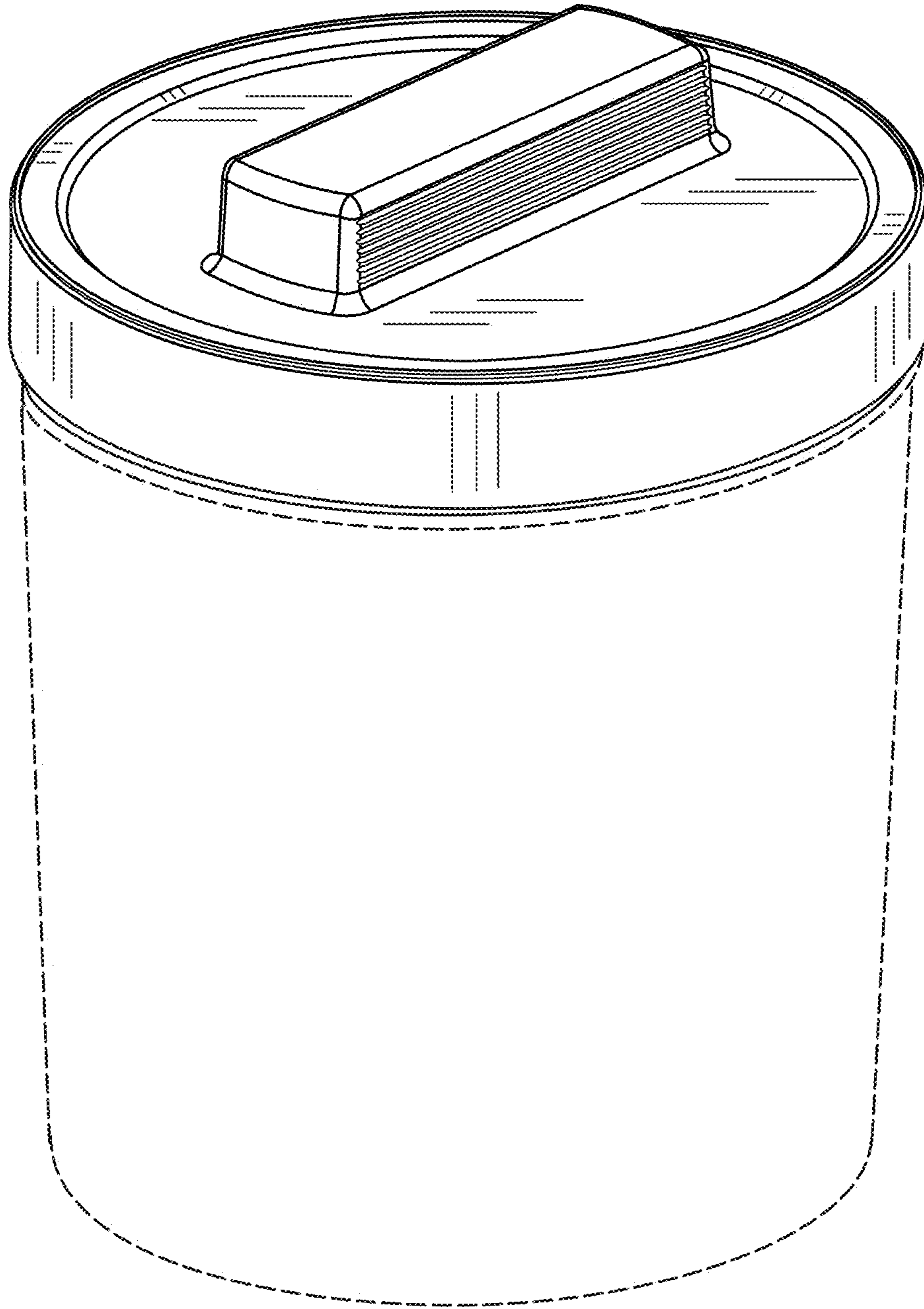


FIG. 5

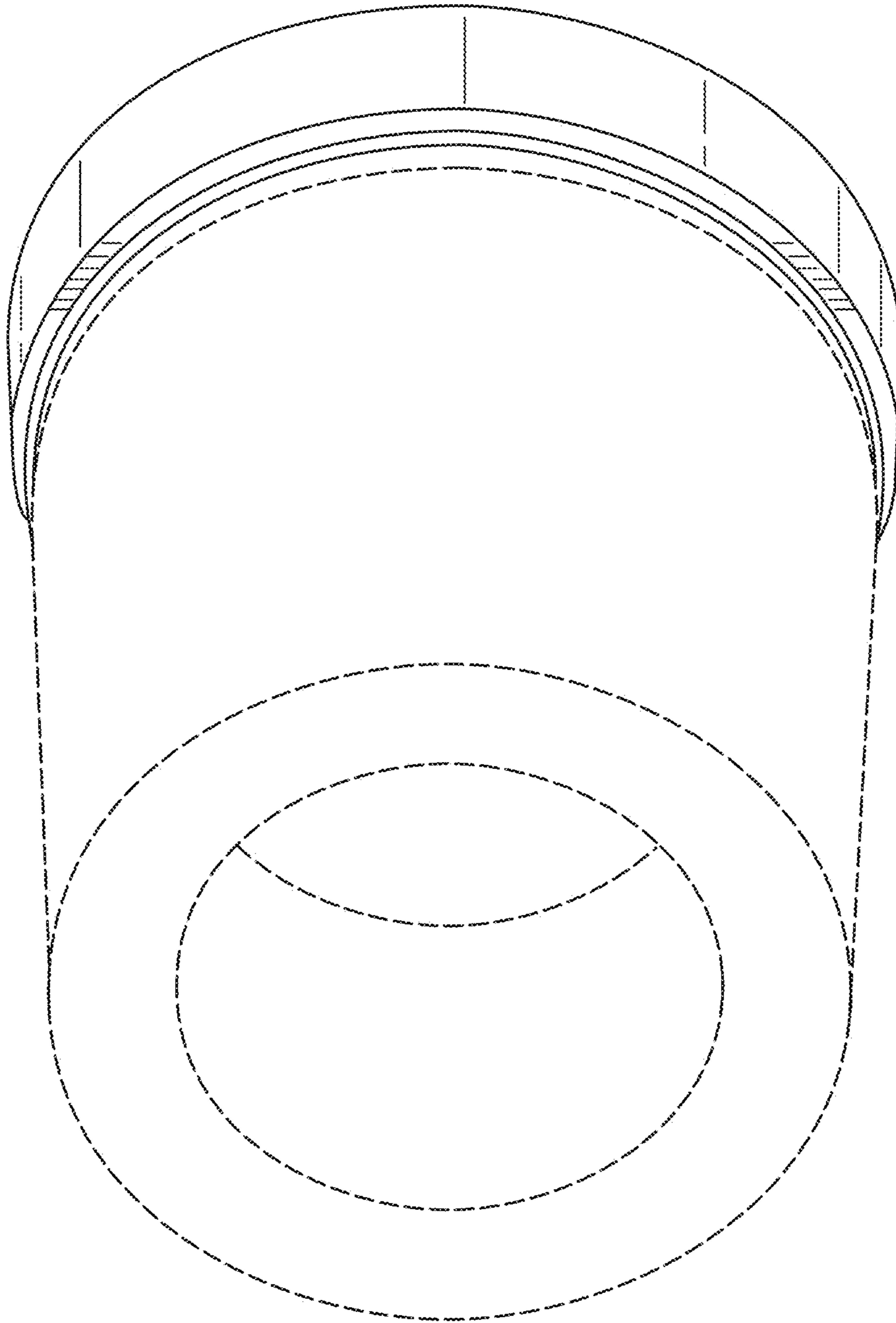


FIG. 6

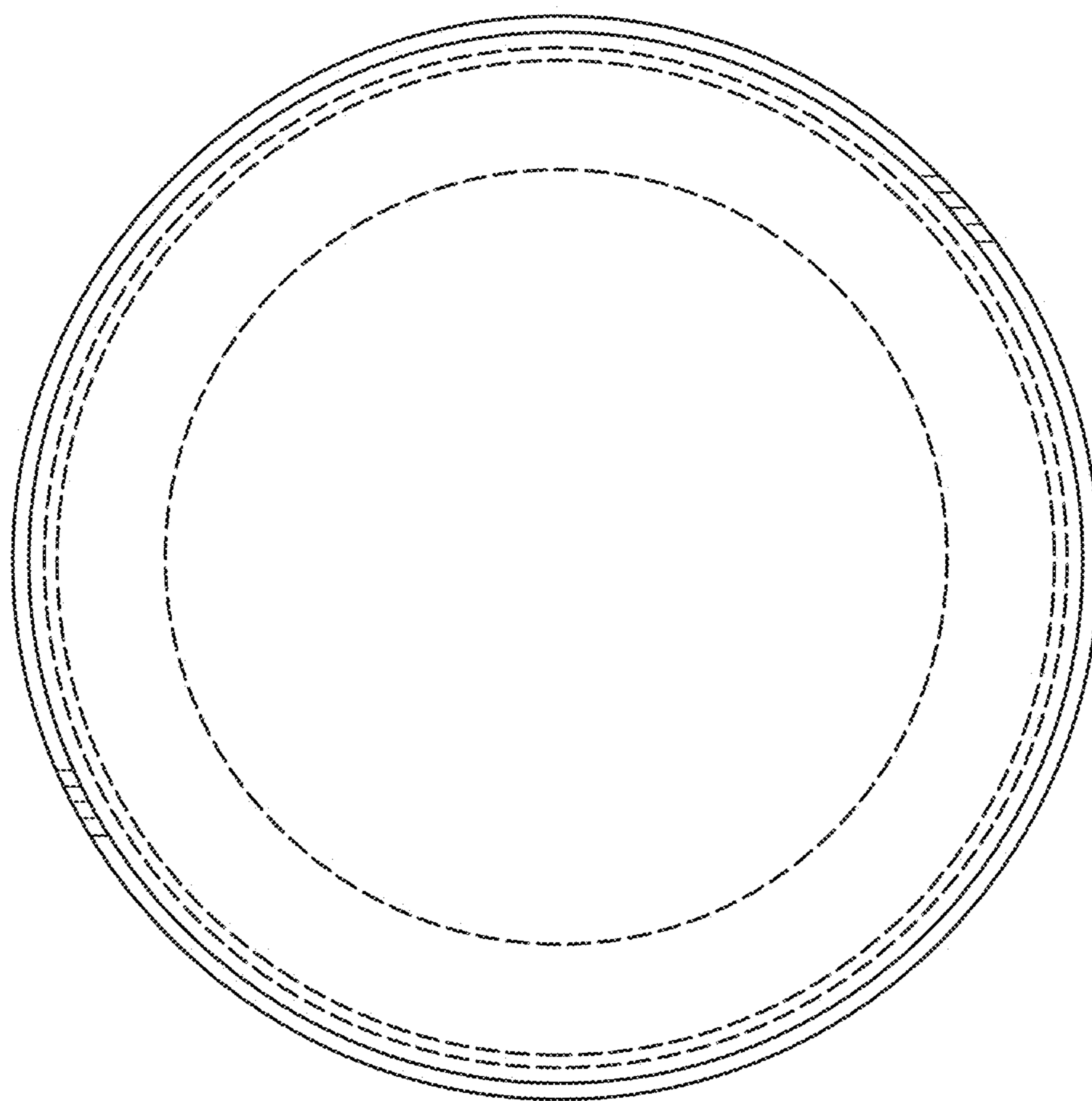


FIG. 7

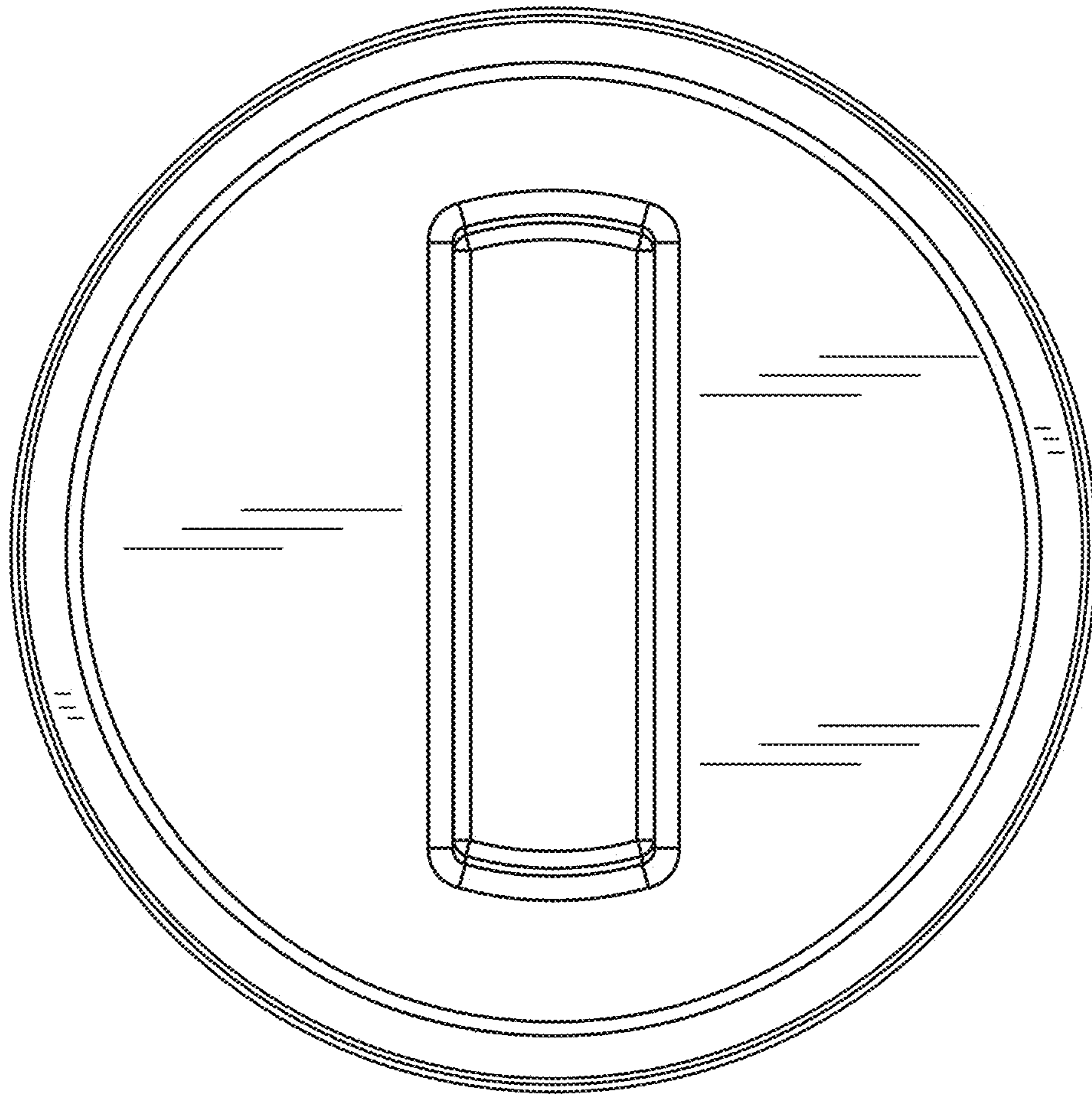


FIG. 8

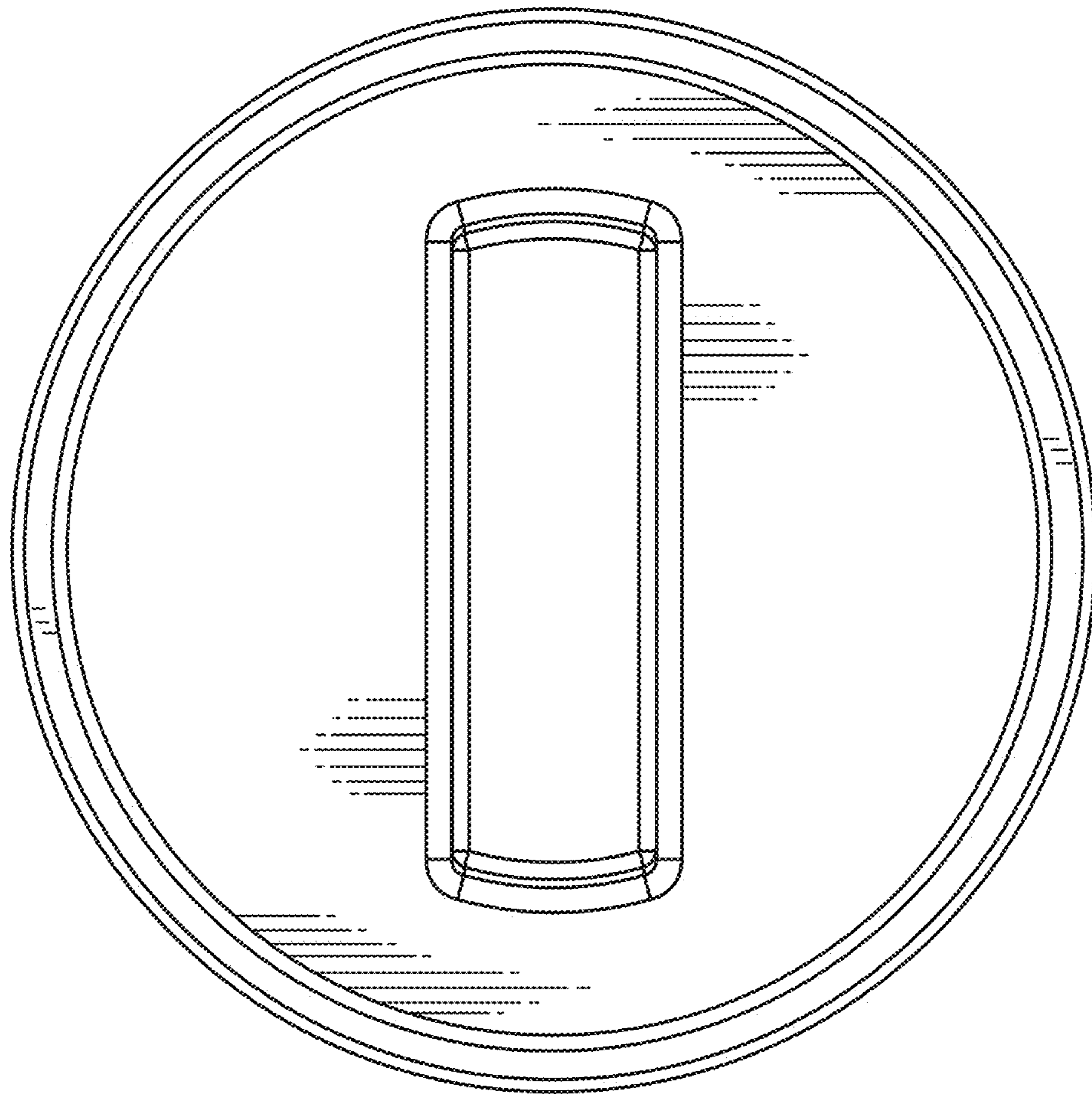


FIG. 9

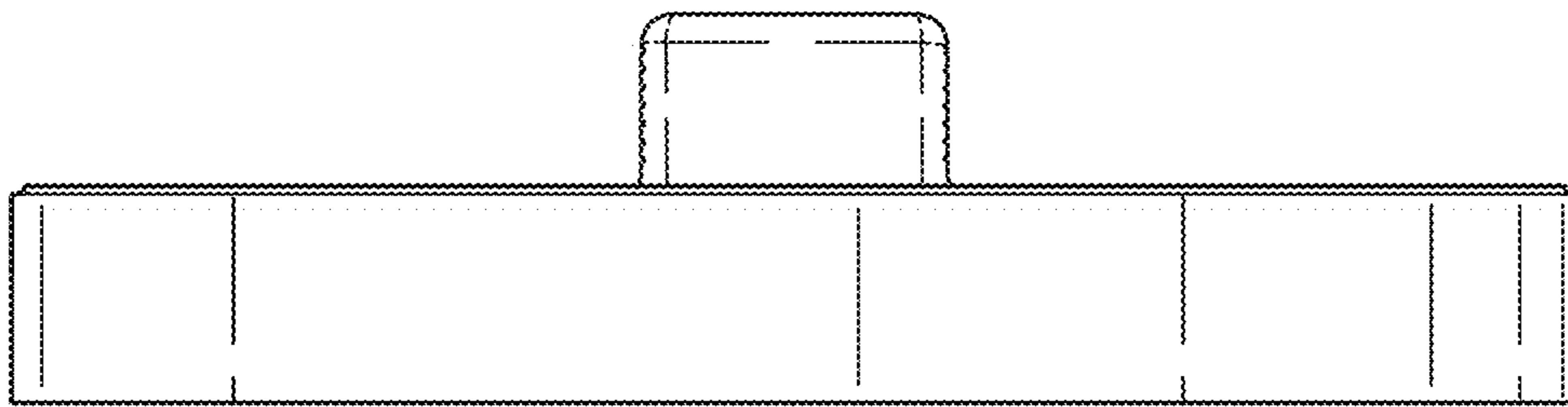


FIG. 10

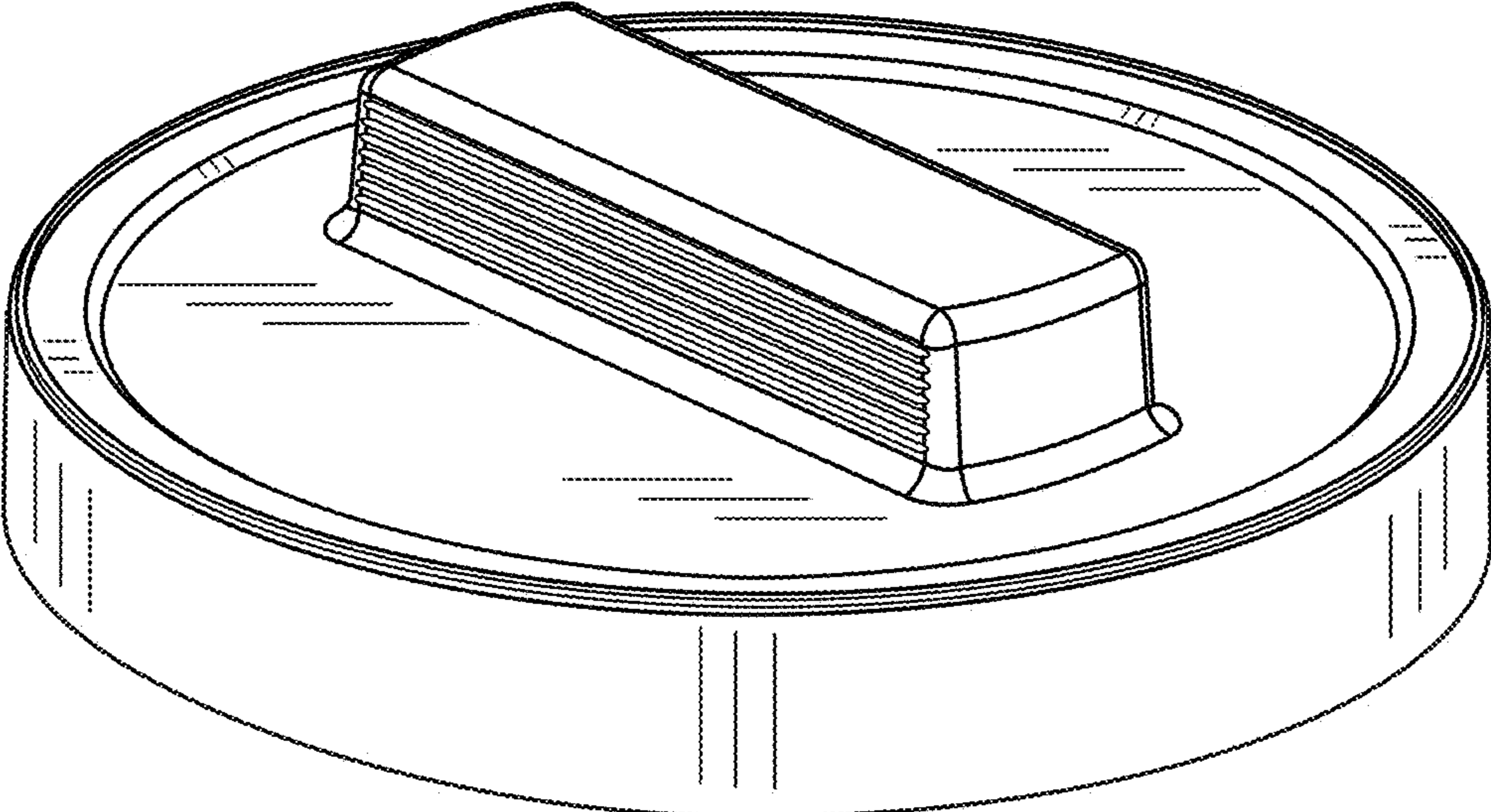


FIG. 11

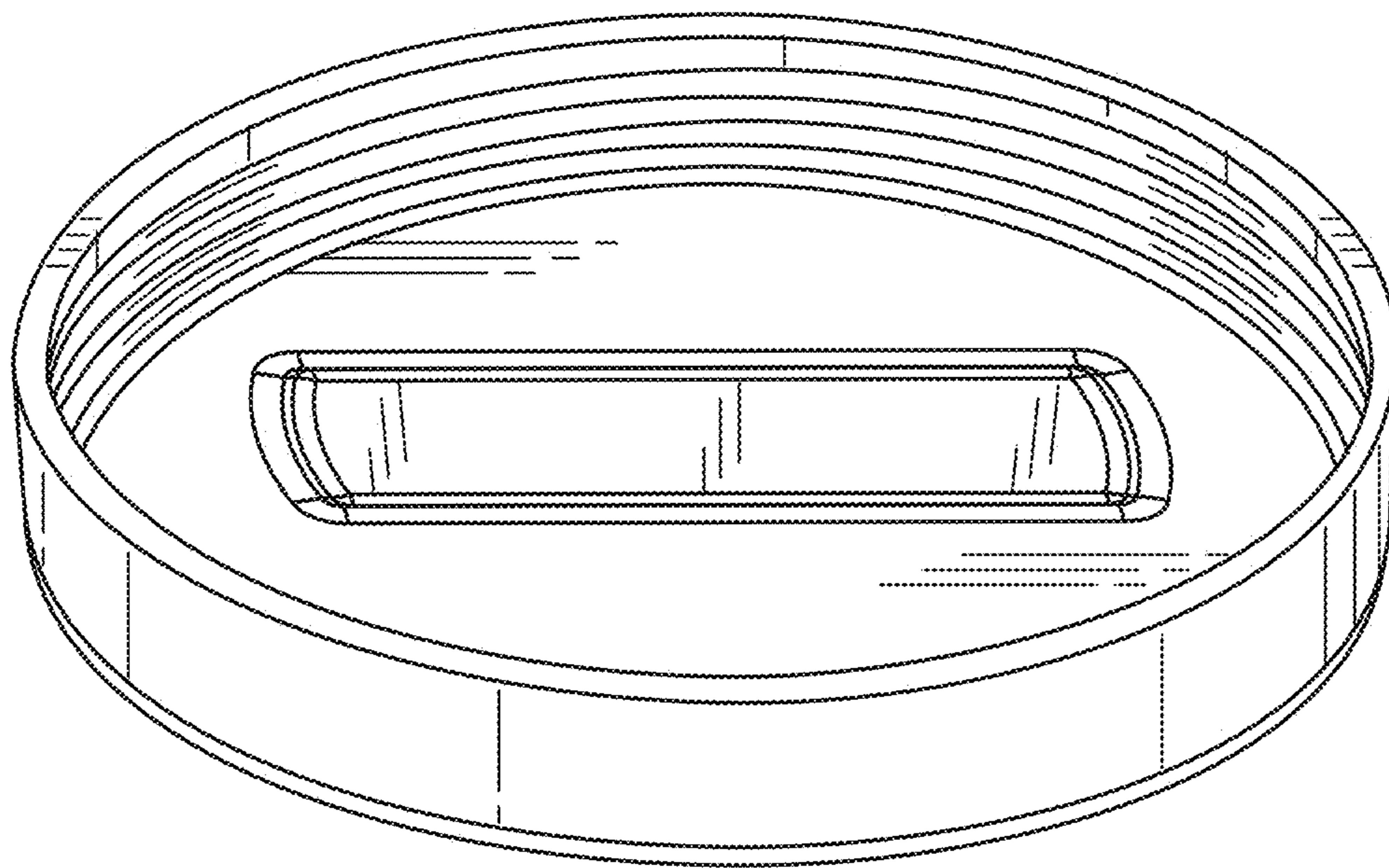


FIG. 12