



US00D894419S

(12) **United States Design Patent** (10) **Patent No.:** **US D894,419 S**  
**Nemeth** (45) **Date of Patent:** **\*\* Aug. 25, 2020**

(54) **BEAKER HANDLE TOP**

(57) **CLAIM**

(71) Applicant: **Lee L. Nemeth**, Prospect, CT (US)

The ornamental design for a beaker handle top, to as shown and described.

(72) Inventor: **Lee L. Nemeth**, Prospect, CT (US)

(\*\*) Term: **15 Years**

**DESCRIPTION**

(21) Appl. No.: **29/638,038**

(22) Filed: **Feb. 23, 2018**

(51) **LOC (12) Cl.** ..... **24-02**

(52) **U.S. Cl.**  
USPC ..... **D24/224**

(58) **Field of Classification Search**  
USPC ..... D24/121, 216, 223, 224, 225, 226;  
D7/317, 321, 511, 523, 603; D9/503,  
D9/504, 529, 548, 549; D30/131;  
D32/53  
CPC ..... G01T 7/02; G01T 1/167; G01F 19/002  
See application file for complete search history.

FIG. 1 is a left side elevational view of the beaker handle top showing the invention separated from an exemplary beaker, the right side view would be a mirror image thereof; FIG. 2 is a front elevational view of the beaker handle top of the invention separated from the exemplary beaker, the rear view would be a mirror image thereof; FIG. 3 is a top perspective view of the beaker handle top of the invention separated from the exemplary beaker; FIG. 4 is a left side elevational view of the beaker handle top of the invention assembled on the exemplary beaker, the right side view would be a mirror image thereof; FIG. 5 is a top perspective view of the beaker handle top of the invention assembled on the exemplary beaker; FIG. 6 is a bottom perspective view of the beaker handle top of the invention assembled on the exemplary beaker; FIG. 7 is a bottom plan view of the beaker handle top of the invention assembled on the exemplary beaker; FIG. 8 is a top plan view of the beaker handle top of the invention; FIG. 9 is a bottom plan view of the beaker handle top in which the unclaimed beaker is removed; FIG. 10 is a left side elevation view of the beaker handle top of the invention, the right side view would be a mirror image thereof; FIG. 11 is a front elevational view of the beaker handle top of the invention, the rear view would be a mirror image thereof; FIG. 12 is a top perspective view of the beaker handle top of the invention; and, FIG. 13 is a bottom perspective view of the beaker handle top of the invention. The broken lines depicting the beaker are included to represent the environmental structure and form no part of the claimed design.

(56) **References Cited**

**U.S. PATENT DOCUMENTS**

D523,752 S \* 6/2006 Bried ..... D9/504  
D603,703 S \* 11/2009 Daggett ..... B65D 43/161  
D9/449  
D696,790 S 12/2013 Nemeth  
D706,909 S \* 6/2014 van de Klippe ..... D23/269  
D717,469 S 11/2014 Nemeth

(Continued)

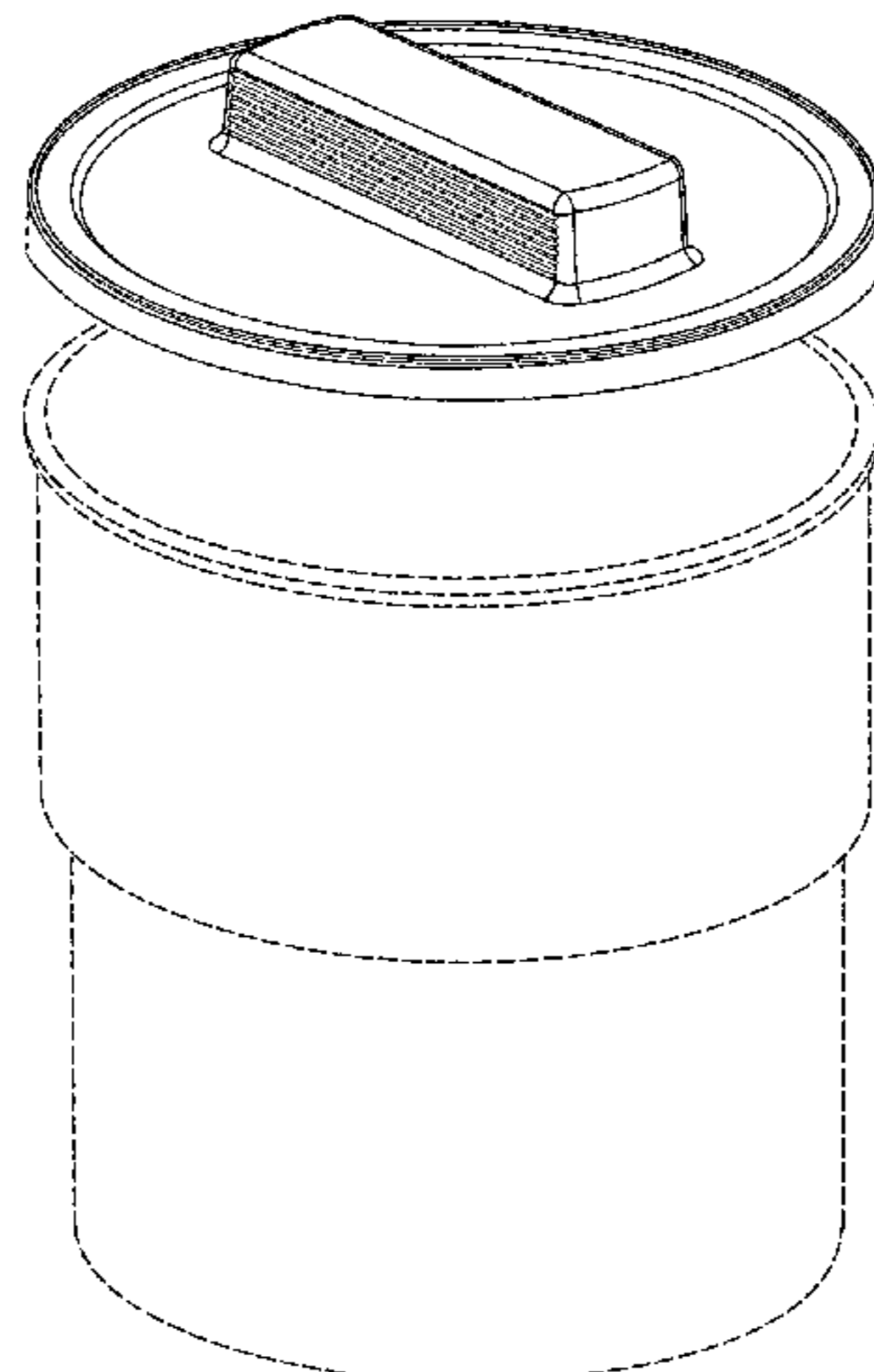
**OTHER PUBLICATIONS**

Whitefurze Screw Top Beaker, 0.4L, Clear. Online, published date unknown. Retrieved on May 3, 2019 from URL: <https://mahahome.com/p/Whitefurze/Kitchen-Display-Storage-Food-Storage/Whitefurze-Screw-Top-Beaker-04L-Clear/5016447600708>.\*

*Primary Examiner* — Susan Bennett Hattan  
*Assistant Examiner* — Omeed Agilee

(74) *Attorney, Agent, or Firm* — Ware, Fressola, Maguire & Barber LLP

**1 Claim, 13 Drawing Sheets**



(56)

**References Cited**

U.S. PATENT DOCUMENTS

D719,829	S	*	12/2014	Ferber .....	D9/503
D734,866	S	*	7/2015	Maier .....	D24/224
D749,948	S	*	2/2016	Groglopo Favetto .....	D9/443
D755,021	S	*	5/2016	Fox .....	D7/672
D756,790	S	*	5/2016	Henriksson .....	D9/504
D770,286	S	*	11/2016	Trombetta .....	D9/503
D773,937	S	*	12/2016	Roth .....	D7/510
D795,705	S	*	8/2017	Huang .....	D9/738
D833,226	S	*	11/2018	Cartwright .....	D7/523
D839,738	S	*	2/2019	Hudson .....	D9/454
D842,494	S	*	3/2019	Lee .....	D24/224
D844,432	S	*	4/2019	Bliss .....	D9/443
2014/0166659	A1	*	6/2014	Antal, Sr. ....	B65D 43/0256 220/521

\* cited by examiner

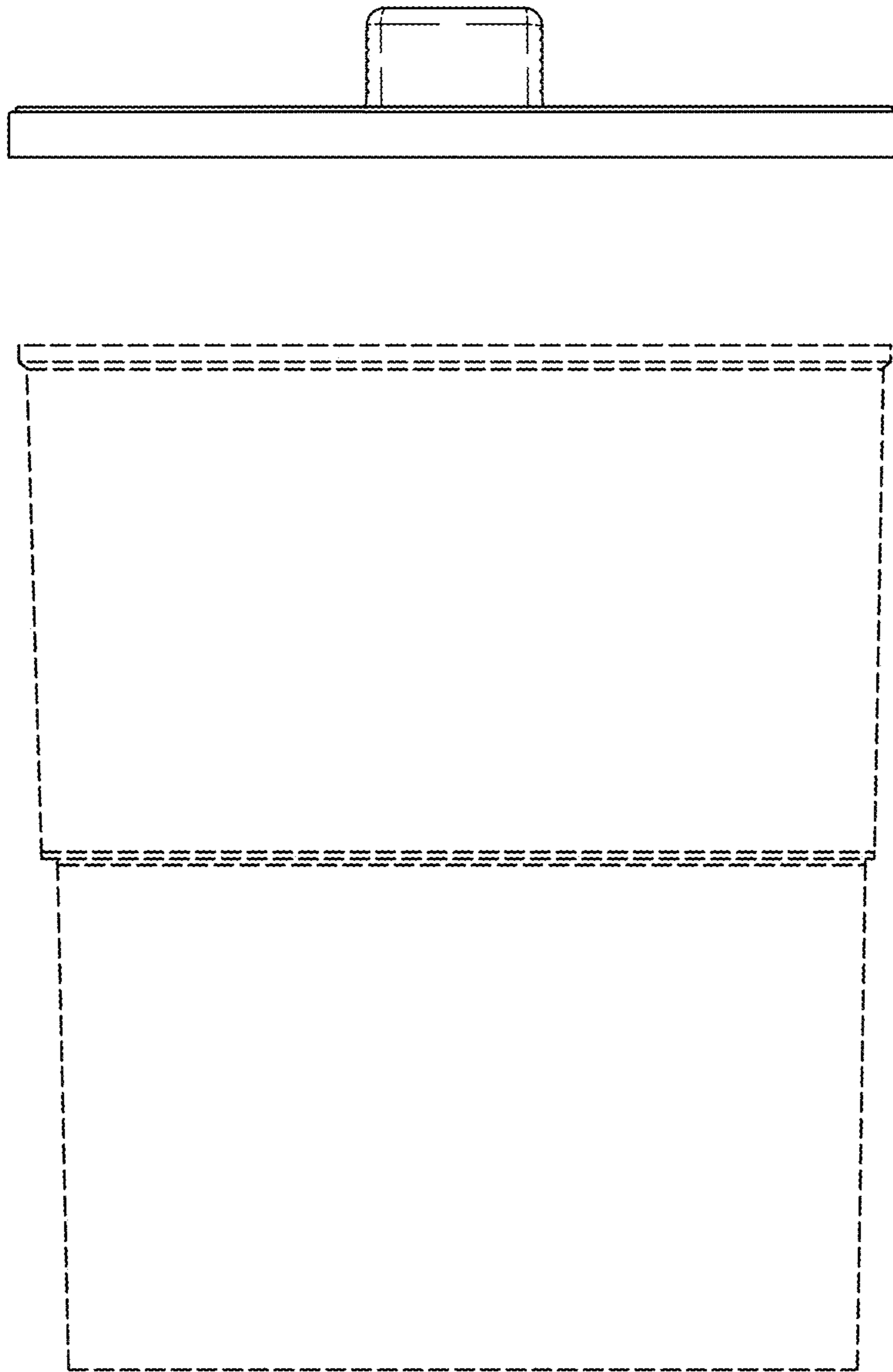


FIG. 1

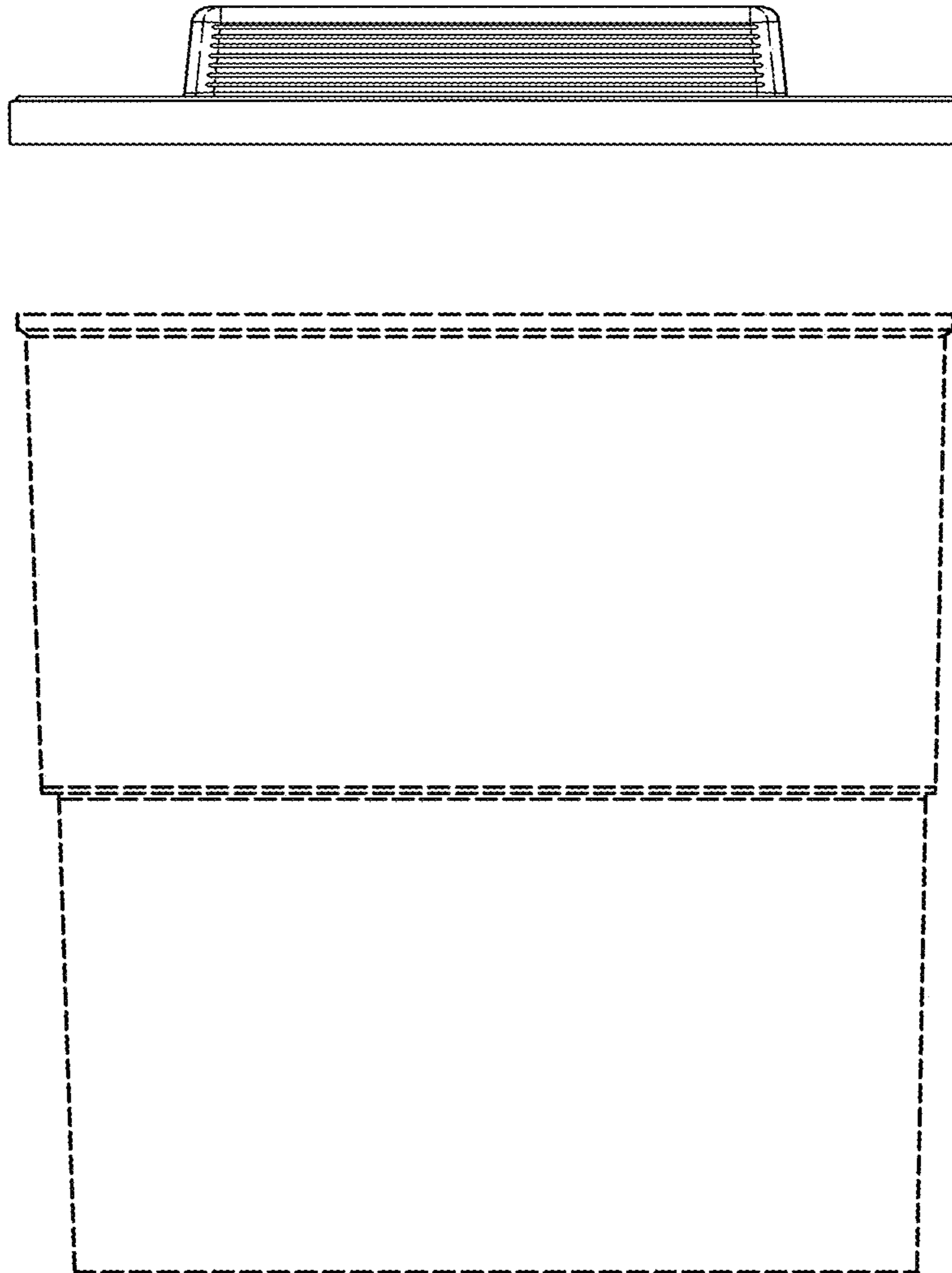


FIG. 2

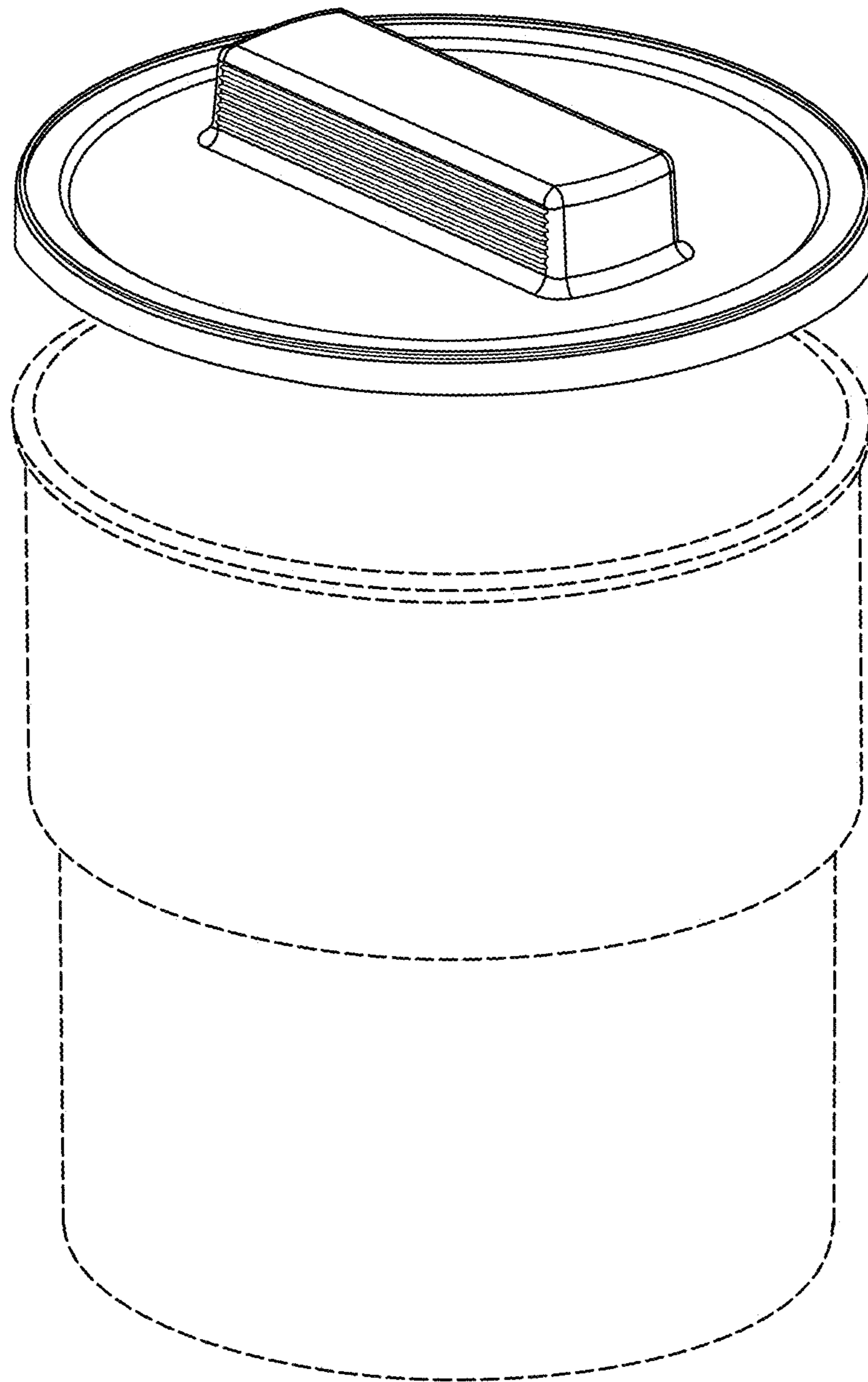


FIG. 3

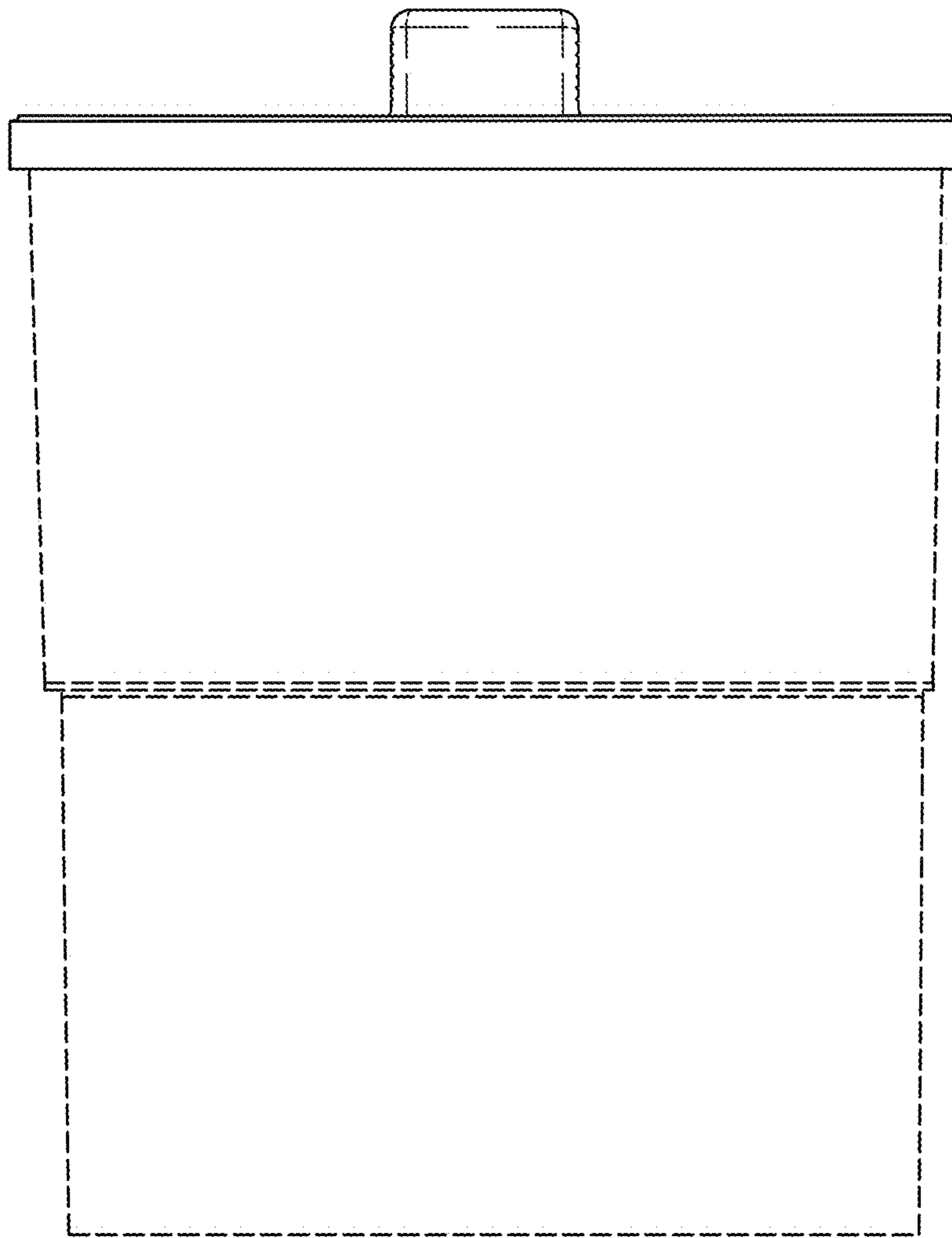


FIG. 4

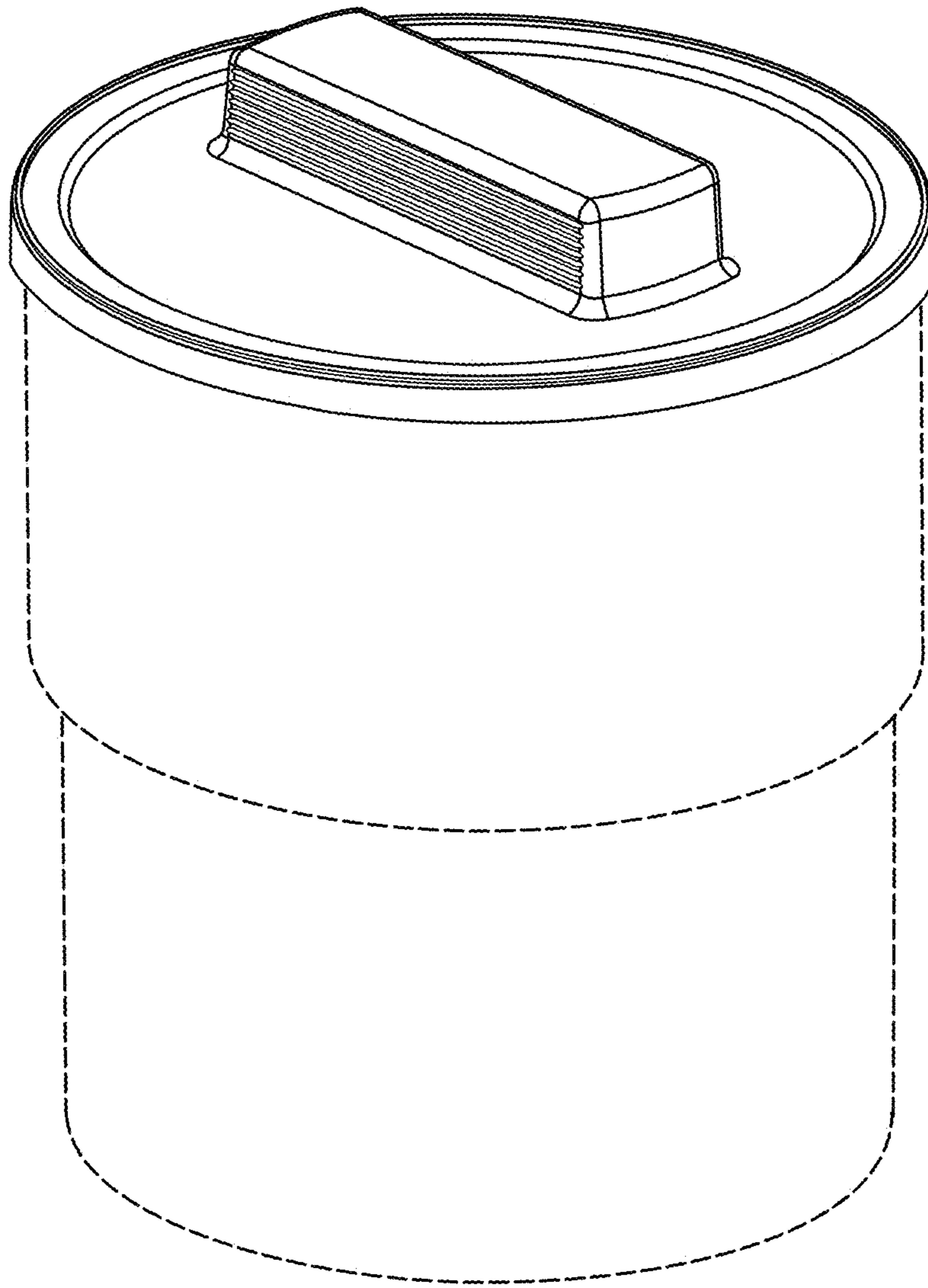


FIG. 5

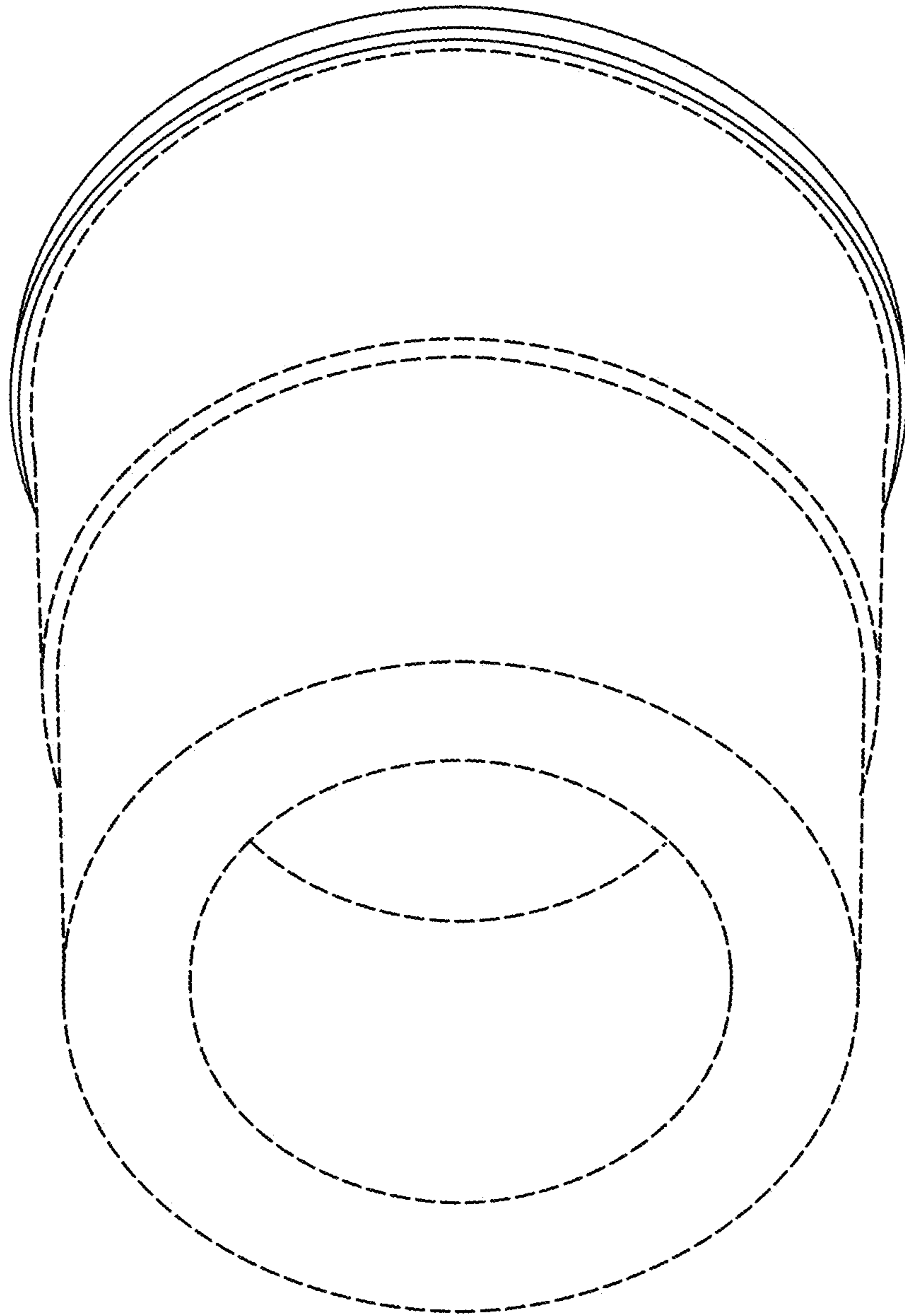


FIG. 6



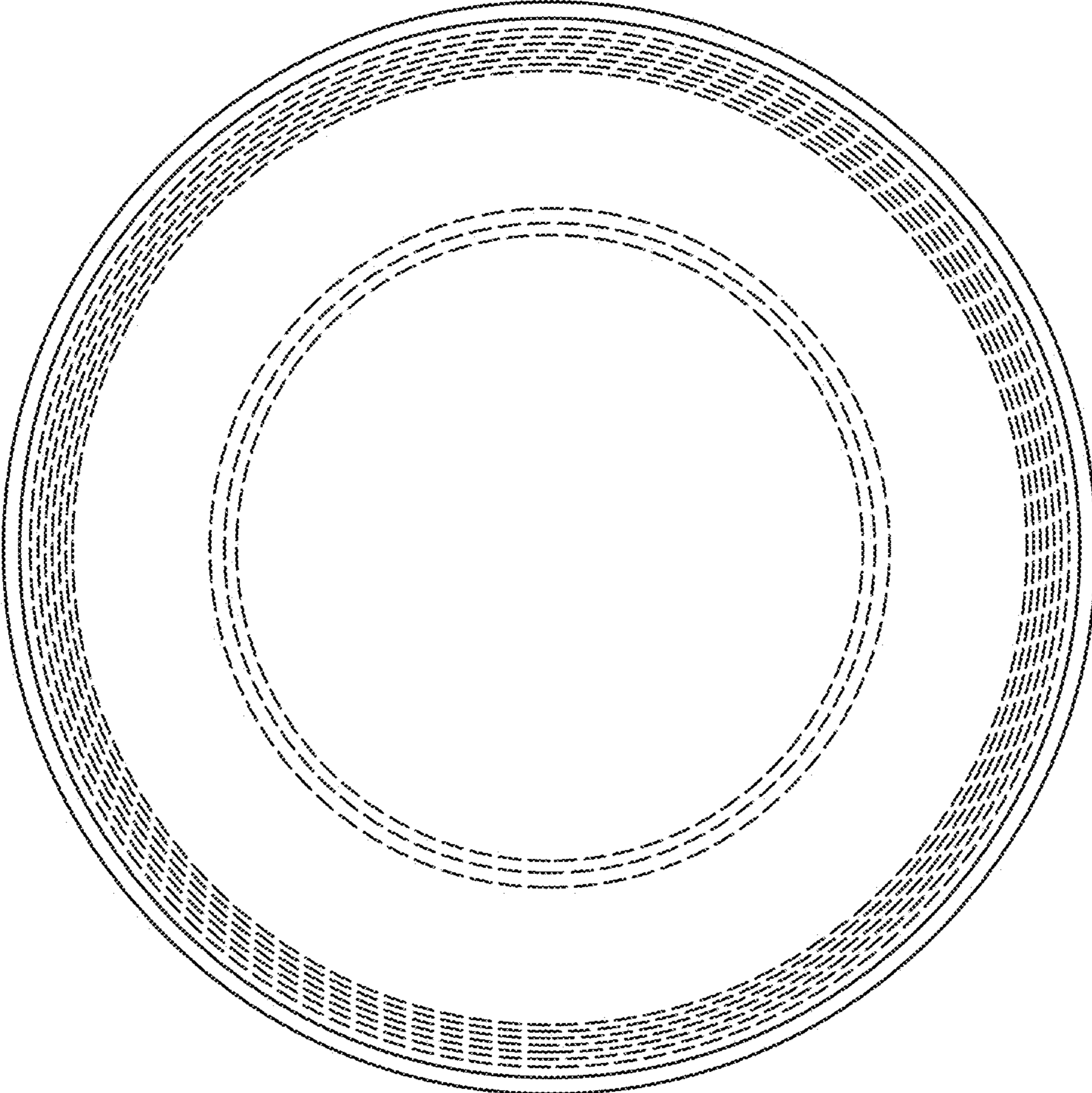


FIG. 7

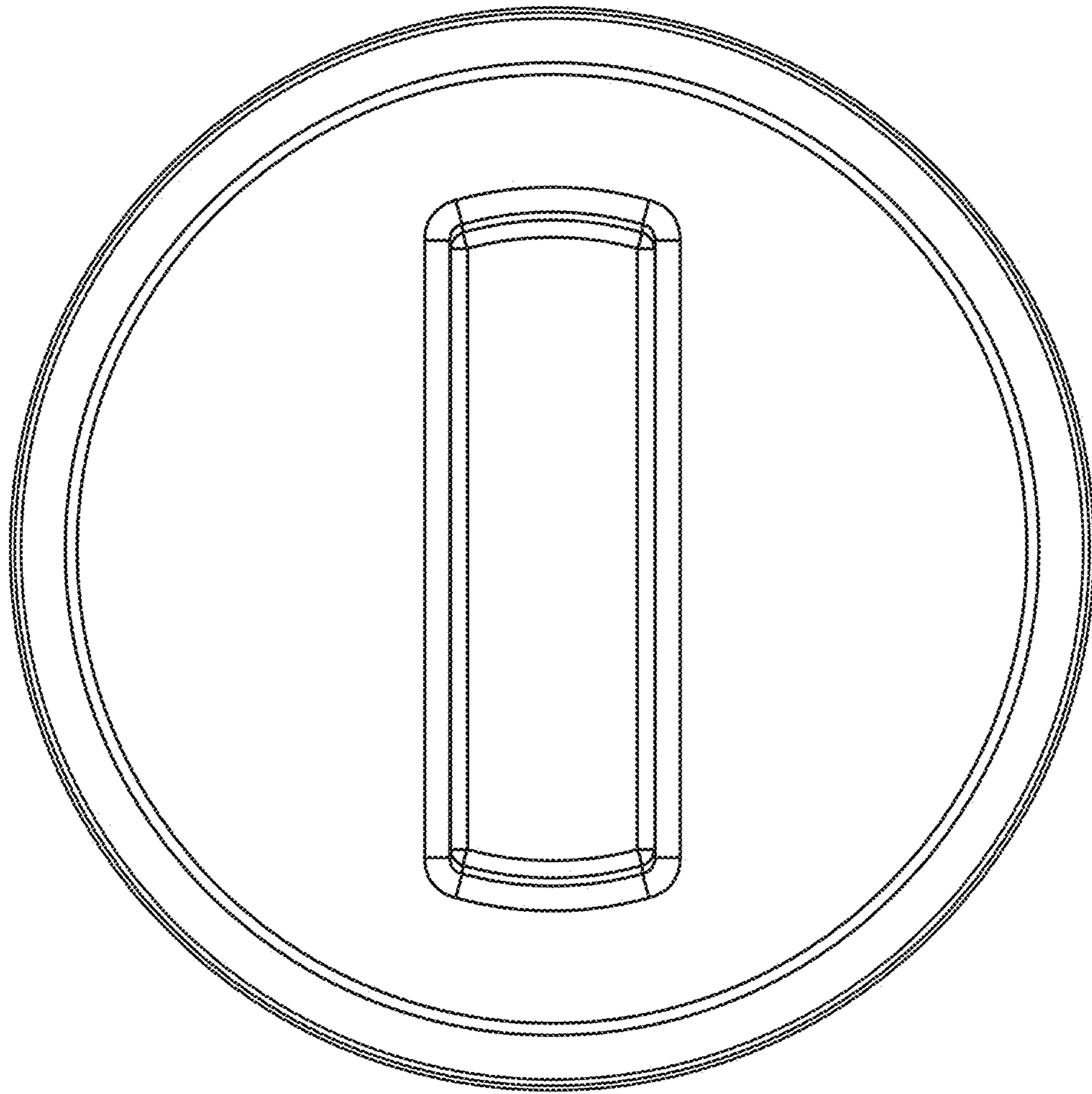


FIG. 8

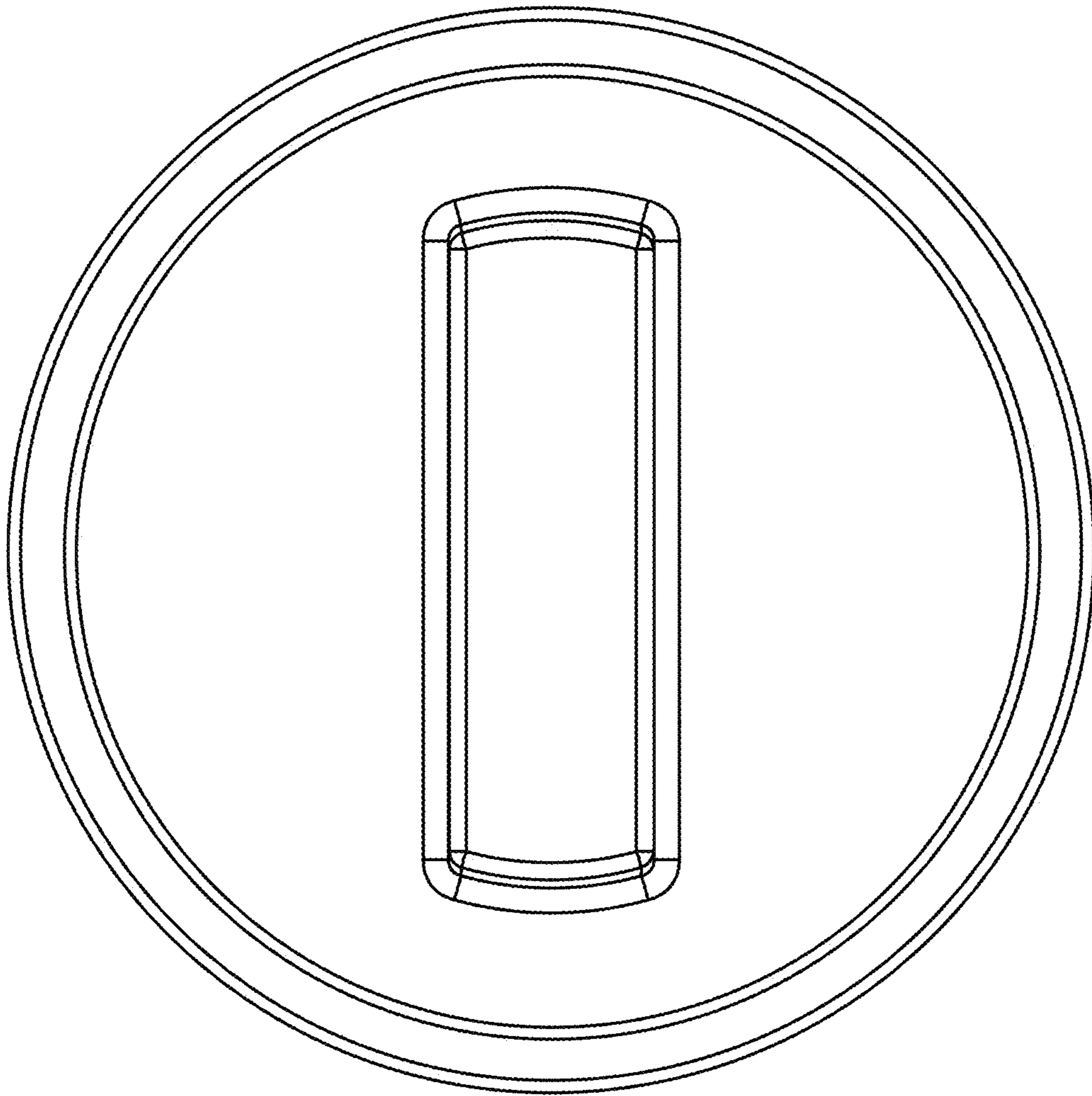


FIG. 9

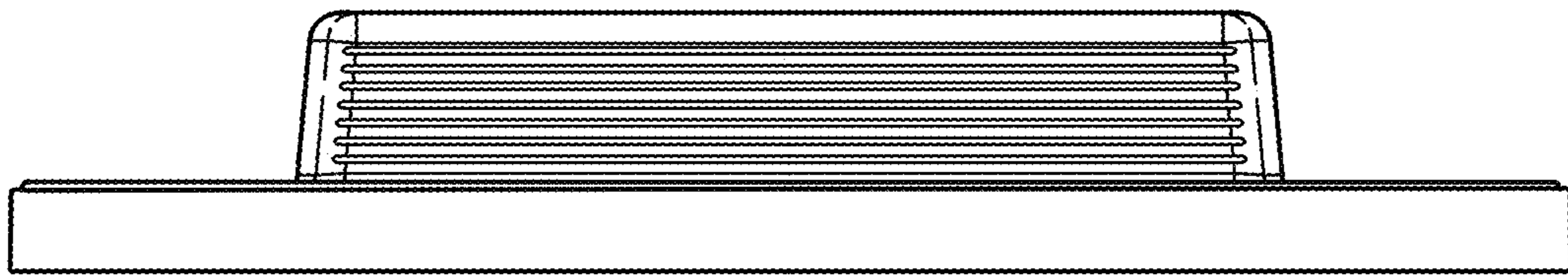


FIG. 10

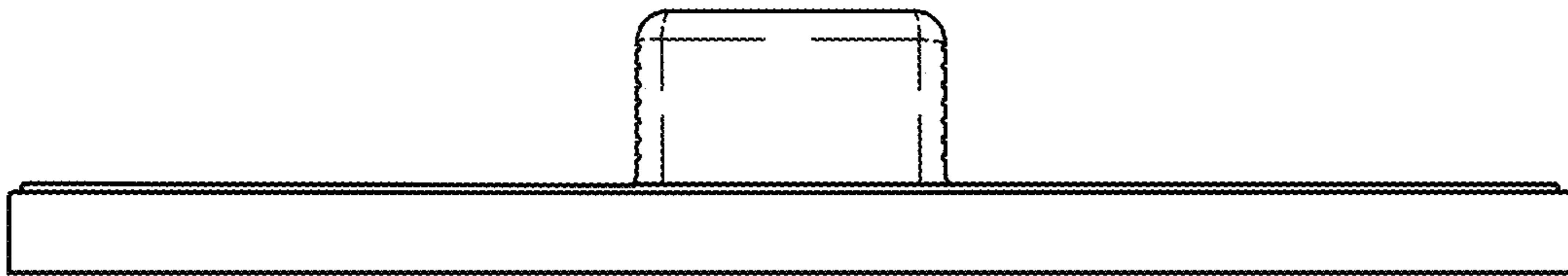


FIG. 11

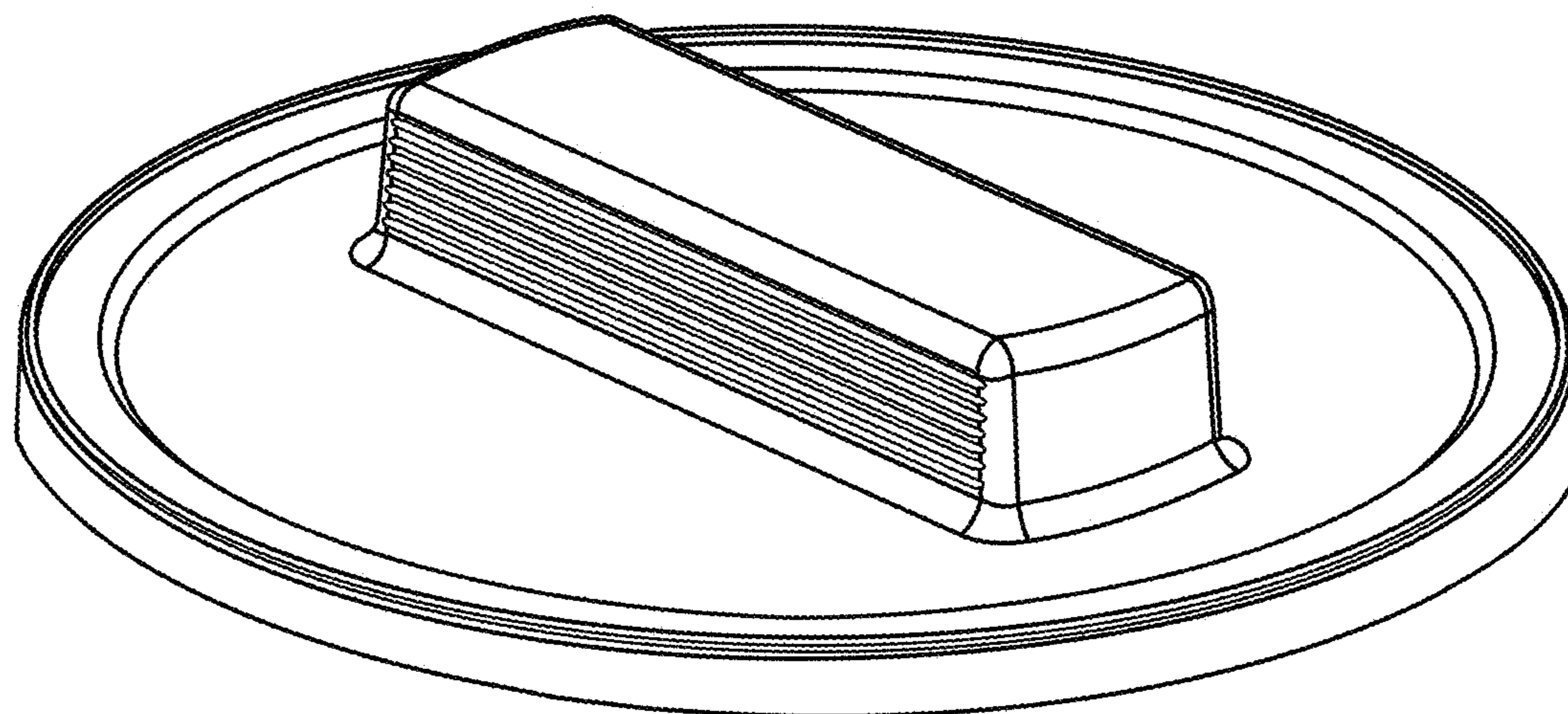


FIG. 12

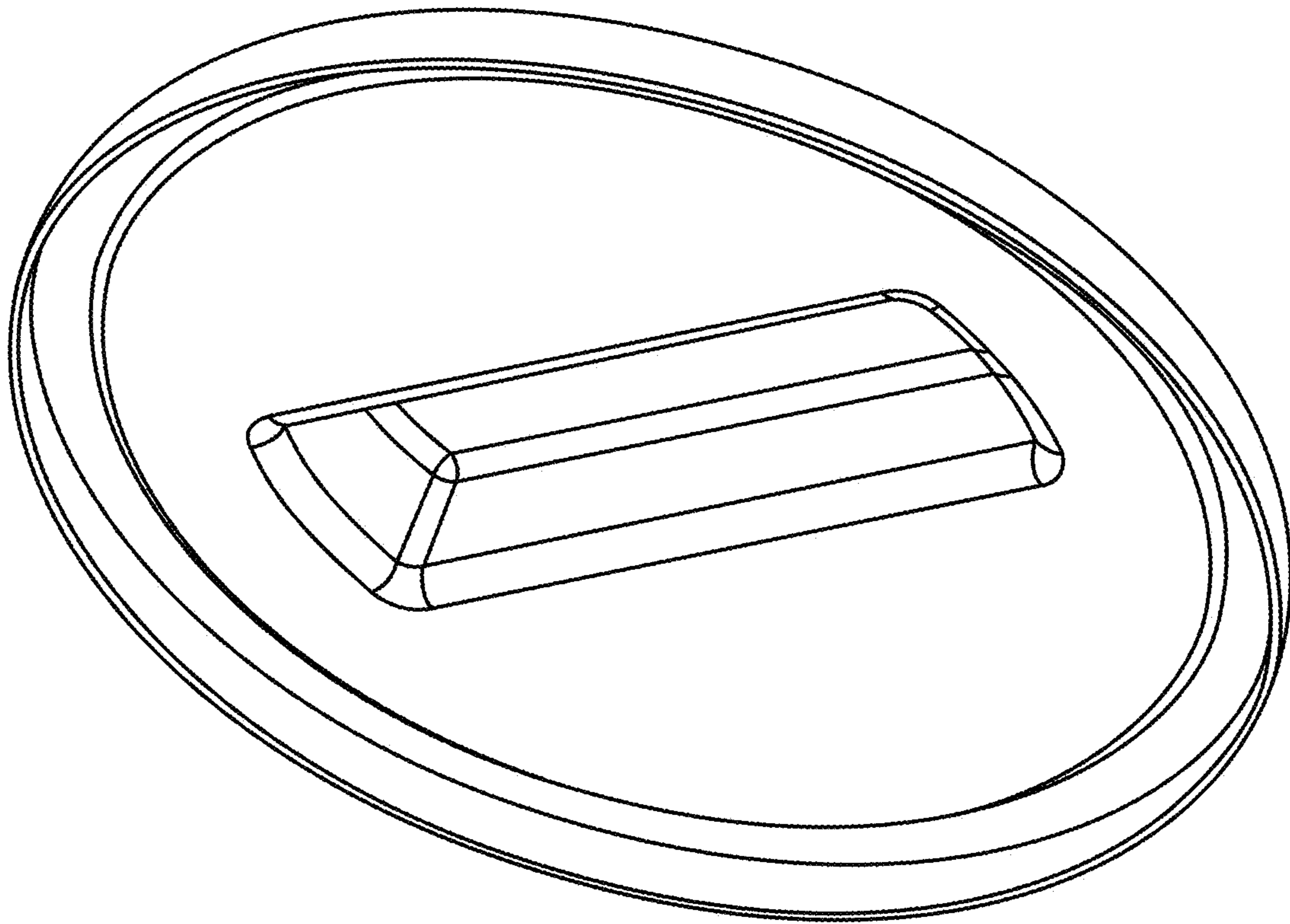


FIG. 13