



US00D894415S

(12) **United States Design Patent** (10) **Patent No.:** **US D894,415 S**
Blank (45) **Date of Patent:** **** Aug. 25, 2020**

(54) **SKIN TISSUE TREATMENT APPARATUS**

(71) Applicant: **Pollogen Ltd.**, Tel Aviv (IL)

(72) Inventor: **Assaf Blank**, Yehud (IL)

(73) Assignee: **POLLOGEN LTD.**, Tel Aviv (IL)

(**) Term: **15 Years**

(21) Appl. No.: **29/678,530**

(22) Filed: **Jan. 29, 2019**

(51) **LOC (12) Cl.** **28-03**

(52) **U.S. Cl.**
USPC **D24/214**

(58) **Field of Classification Search**
USPC 601/99, 114, 118, 120, 121, 124, 125,
601/130, 131, 134-137; D24/200, 211,
D24/212, 213, 214, 215; D30/160;
600/38, 39, 40, 41
CPC .. A61H 1/00; A61H 2201/0153; A61H 7/003;
A61H 7/007
See application file for complete search history.

(56) **References Cited**

U.S. PATENT DOCUMENTS

D234,725	S	*	4/1975	Yamada	D24/214
D484,606	S	*	12/2003	Ahn	D24/200
D648,441	S	*	11/2011	Rivero	D24/200
D652,524	S	*	1/2012	Messner	D24/211
D726,926	S	*	4/2015	Matsushita	D24/200
D726,927	S	*	4/2015	Matsushita	D24/200
D727,514	S	*	4/2015	Matsushita	D24/200
D757,953	S	*	5/2016	Philips	D24/200
D759,256	S	*	6/2016	Chen	D24/200
D759,831	S	*	6/2016	Levi	D24/200
D780,933	S	*	3/2017	Uchida	D24/200
D787,693	S	*	5/2017	Matsushita	D24/200
D789,548	S	*	6/2017	Cheng	D24/211
D794,854	S	*	8/2017	Zepter	D24/200
D795,423	S	*	8/2017	Chen	D24/133

D822,843	S	*	7/2018	Lenke	D24/215
D825,073	S	*	8/2018	Lenke	D24/215
D827,842	S	*	9/2018	Bainton	D24/200
D827,843	S	*	9/2018	Bainton	D24/200
D833,028	S	*	11/2018	Olivares	D24/215
D835,796	S	*	12/2018	Sedic	D24/215
D836,792	S	*	12/2018	Fuhner	D24/215
D848,013	S	*	5/2019	Fuhner	D24/215
D848,632	S	*	5/2019	Fuhner	D24/215
D848,633	S	*	5/2019	Fuhner	D24/215

(Continued)

OTHER PUBLICATIONS

Currentbody, "TriPollar GENE0 Personal Oxygenation Device", Dec. 3, 2019. <https://us.currentbody.com/products/tripollar-geneo-personal-oxygenation-device>. Shown on p. 1. (Year: 2019).*

Primary Examiner — Cynthia Ramirez

Assistant Examiner — Michael A Maharajh

(74) *Attorney, Agent, or Firm* — Isus Intellectual Property PLL; Anthony Jason Mirabito

(57) **CLAIM**

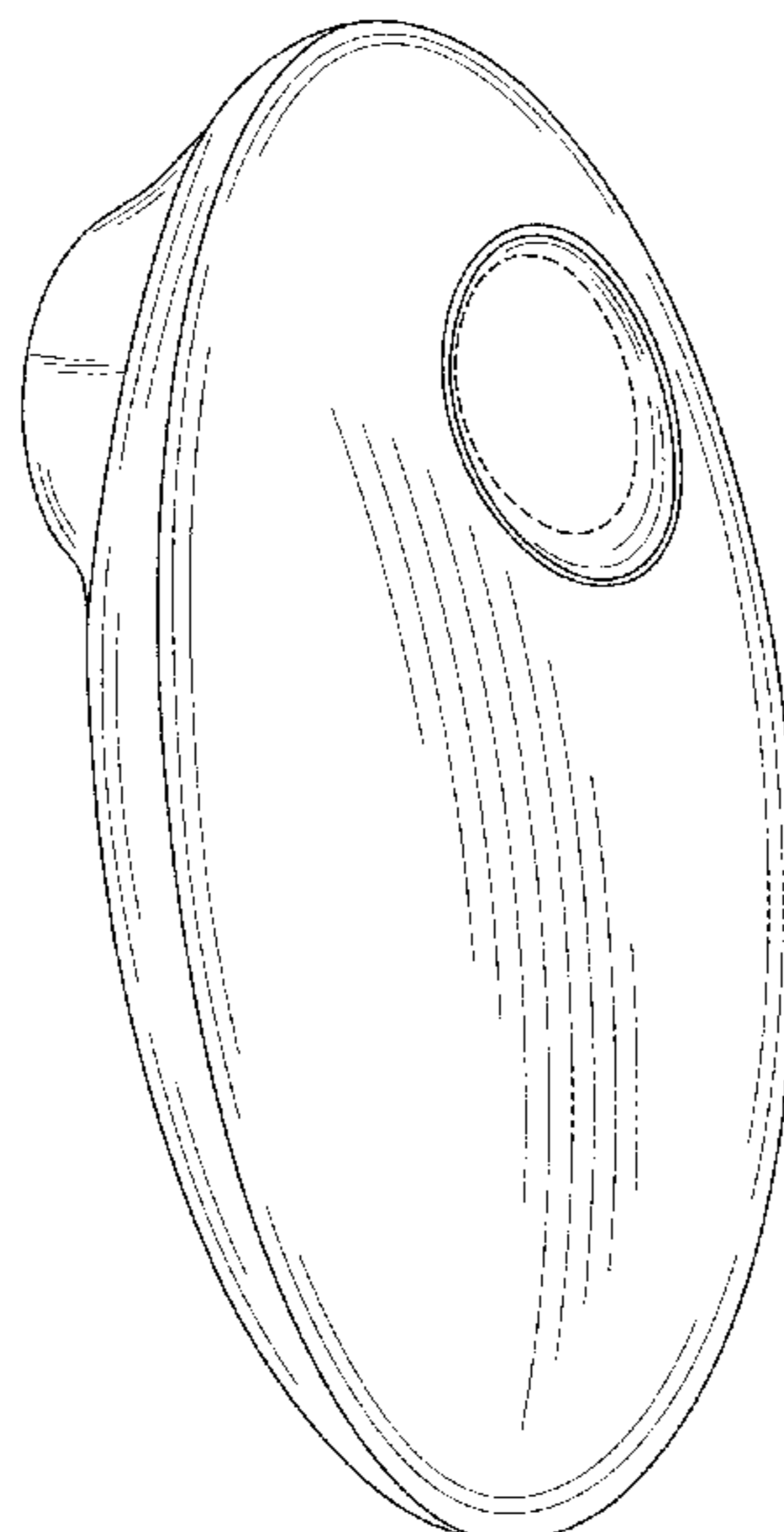
The ornamental design for a skin tissue treatment apparatus, as shown and described.

DESCRIPTION

FIG. 1 is a rear perspective view of a skin tissue treatment apparatus, showing my new design; FIG. 2 is a front perspective view thereof; FIG. 3 is a front view thereof; FIG. 4 is a rear view thereof; FIG. 5 is a left side view thereof; FIG. 6 is a right side view thereof; FIG. 7 is a top view thereof; and, FIG. 8 is a bottom view thereof.

The broken lines in the drawings are for the purpose of illustrating portions of the skin tissue treatment apparatus, which form no part of the claimed design.

1 Claim, 8 Drawing Sheets



(56)

References Cited

U.S. PATENT DOCUMENTS

D850,637 S *	6/2019	Ci	D24/200
D850,644 S *	6/2019	Sedic	D24/215
D862,717 S *	10/2019	Khubani	D24/200
D865,209 S *	10/2019	Nichols	D24/214
D866,783 S *	11/2019	Sedic	D24/211
2016/0045081 A1 *	2/2016	Kern	A47K 7/043 15/22.4

* cited by examiner

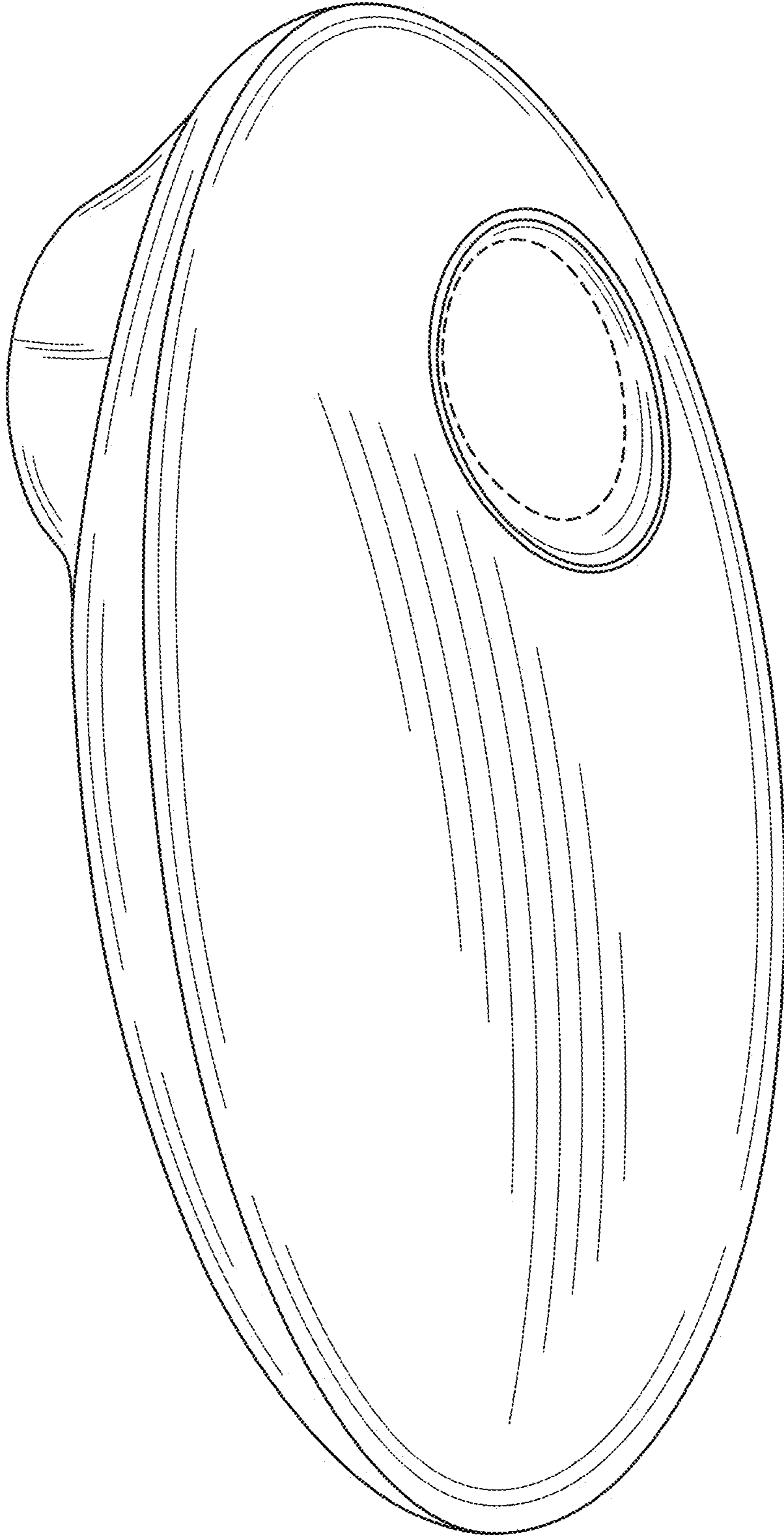


FIG. 1

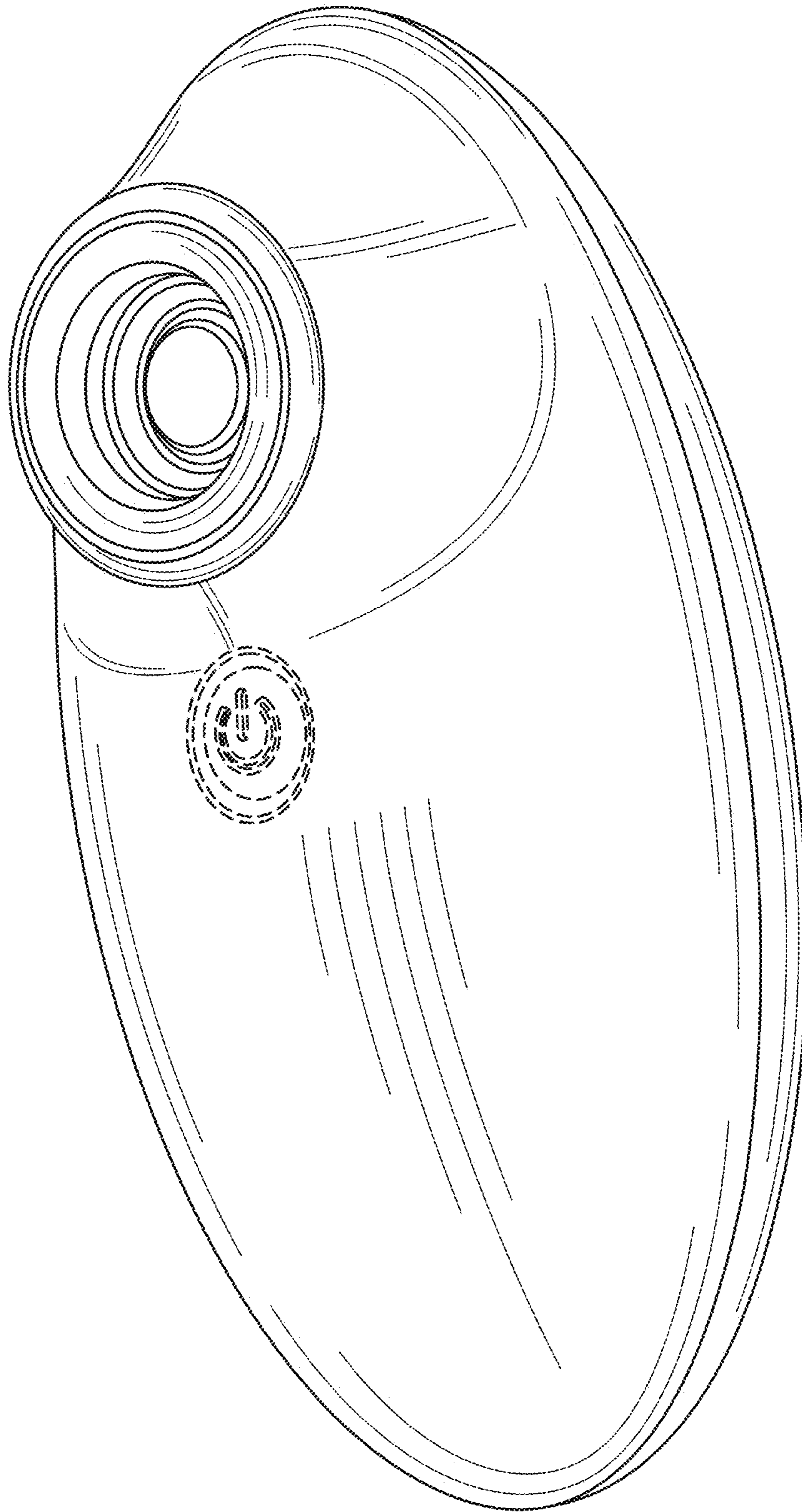


FIG. 2

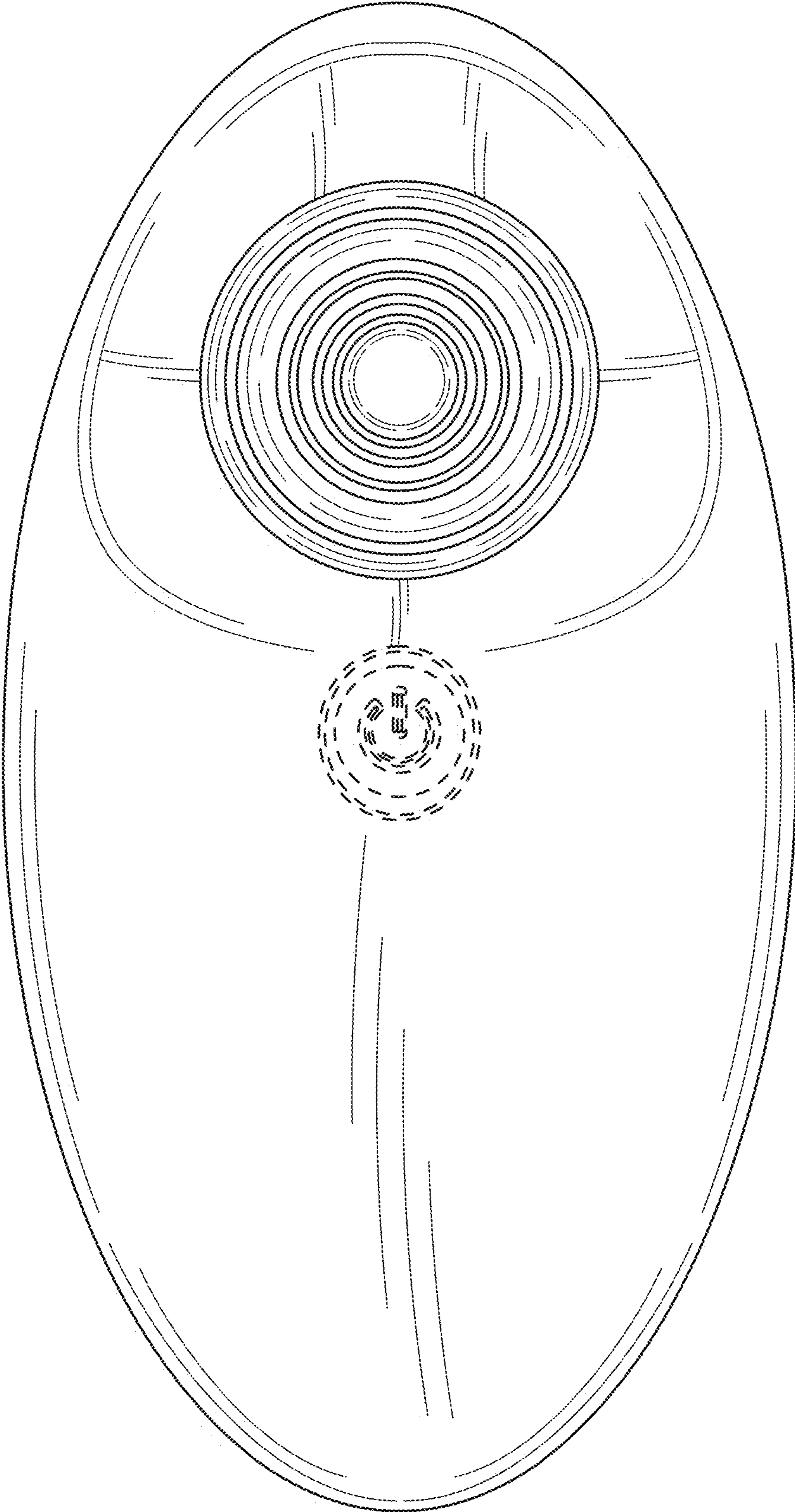


FIG. 3

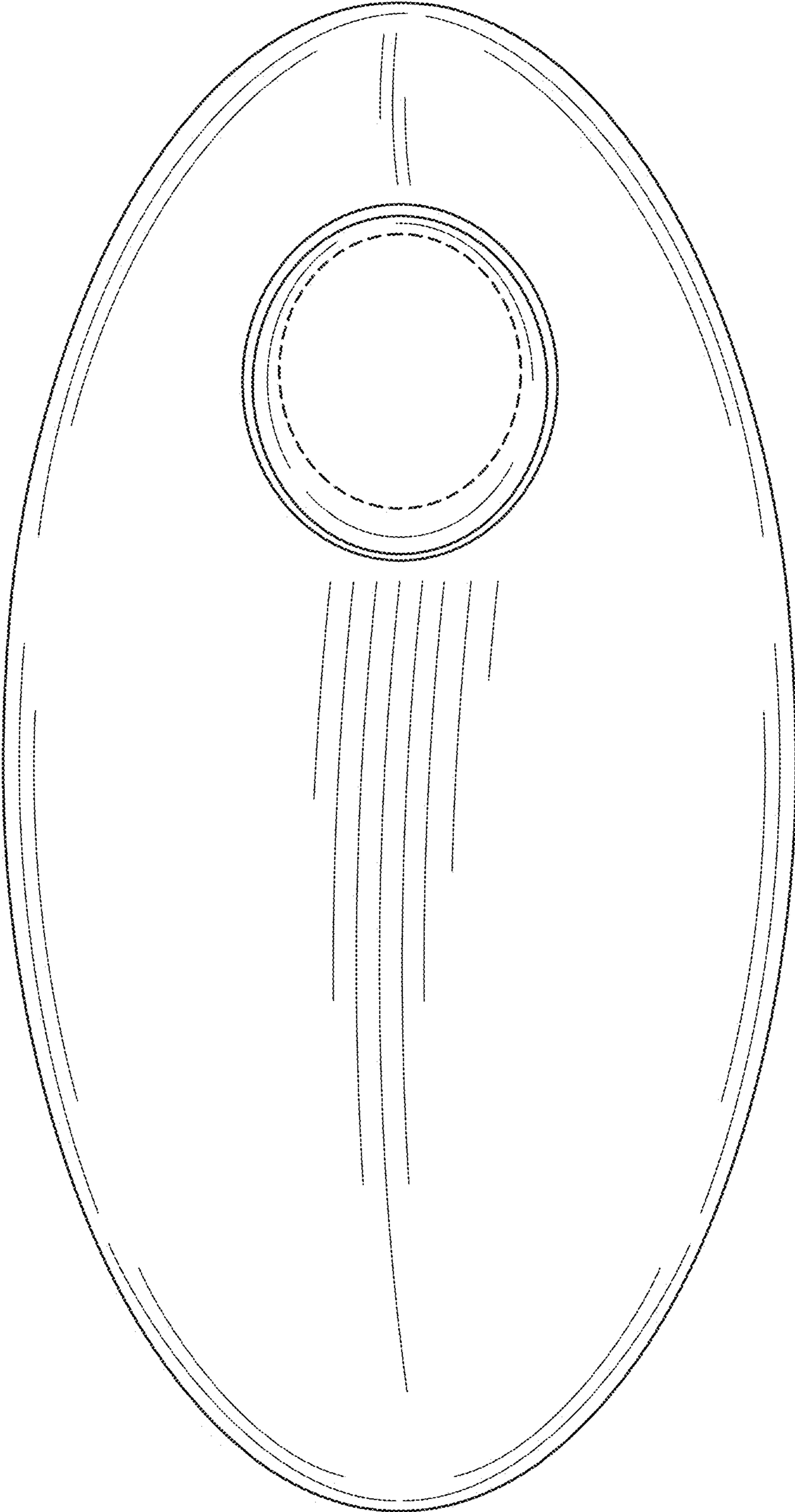


FIG. 4

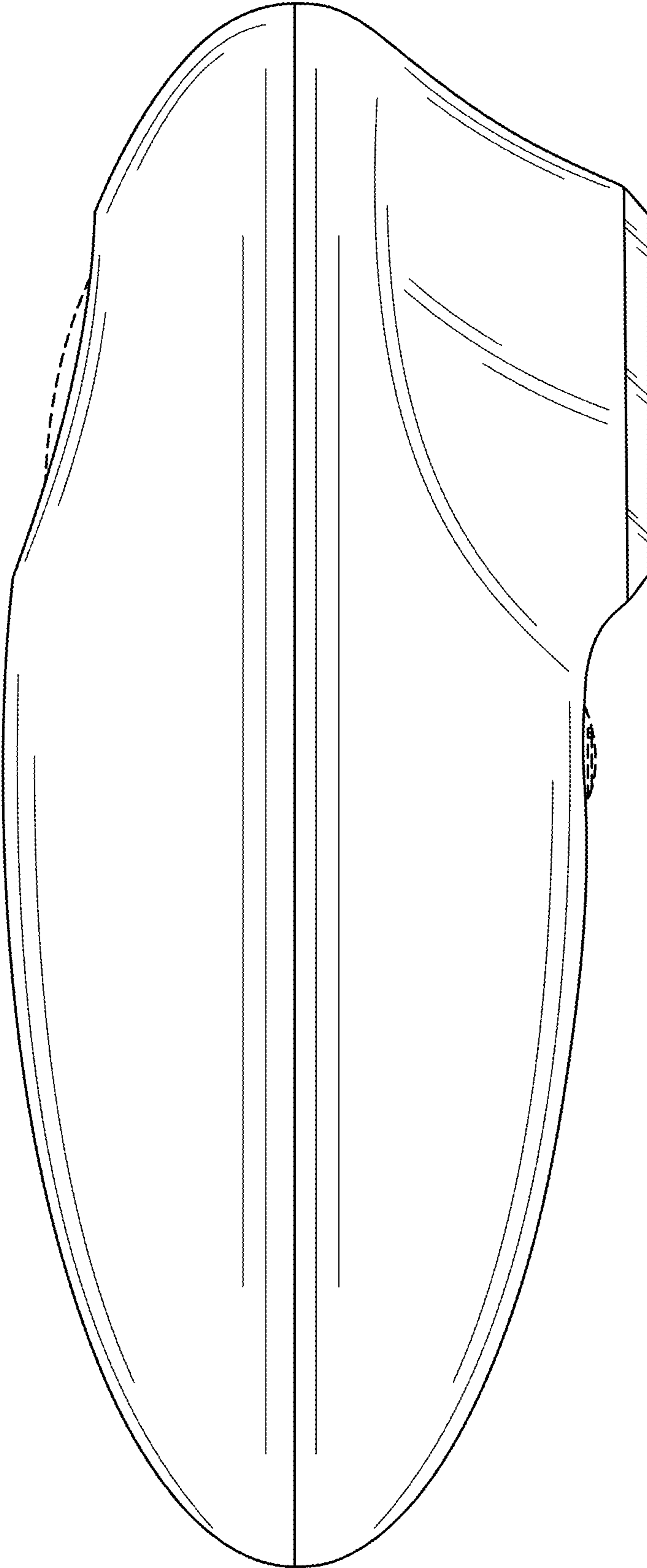


FIG. 5

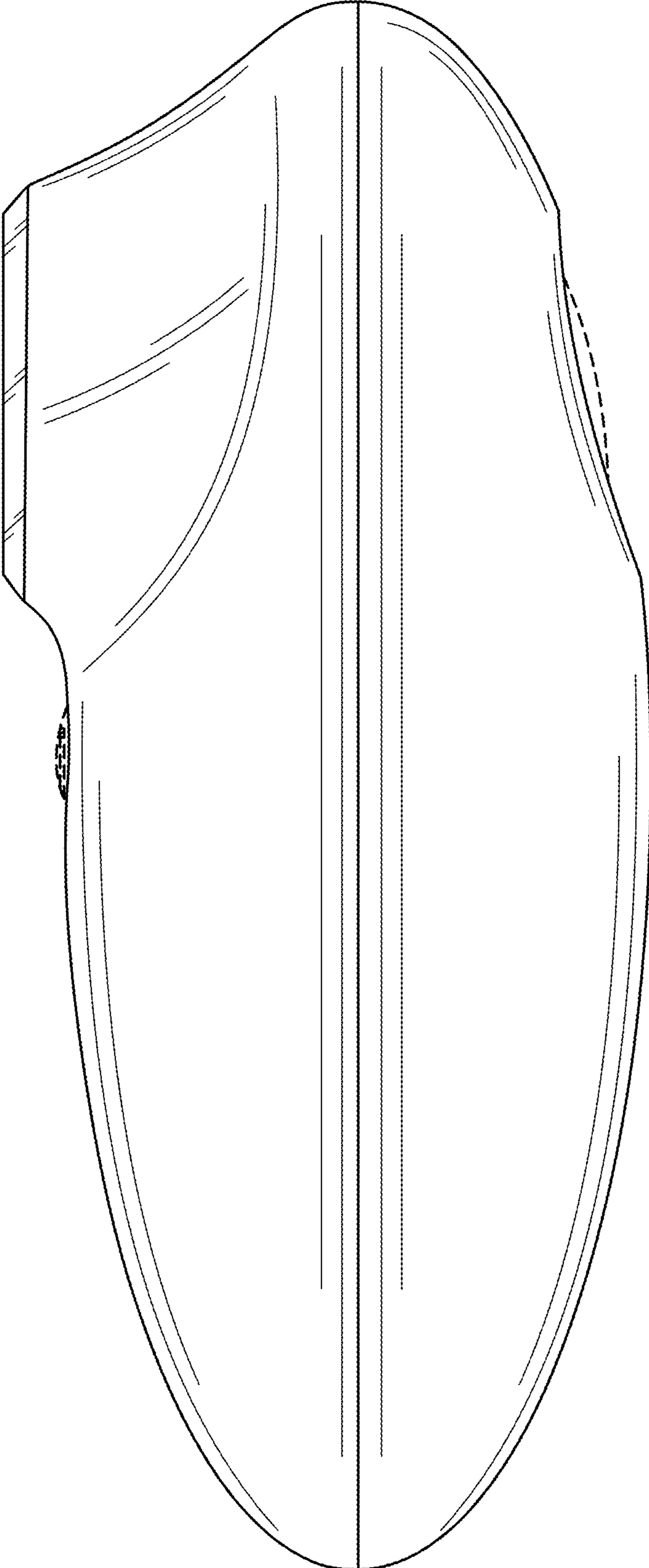


FIG. 6

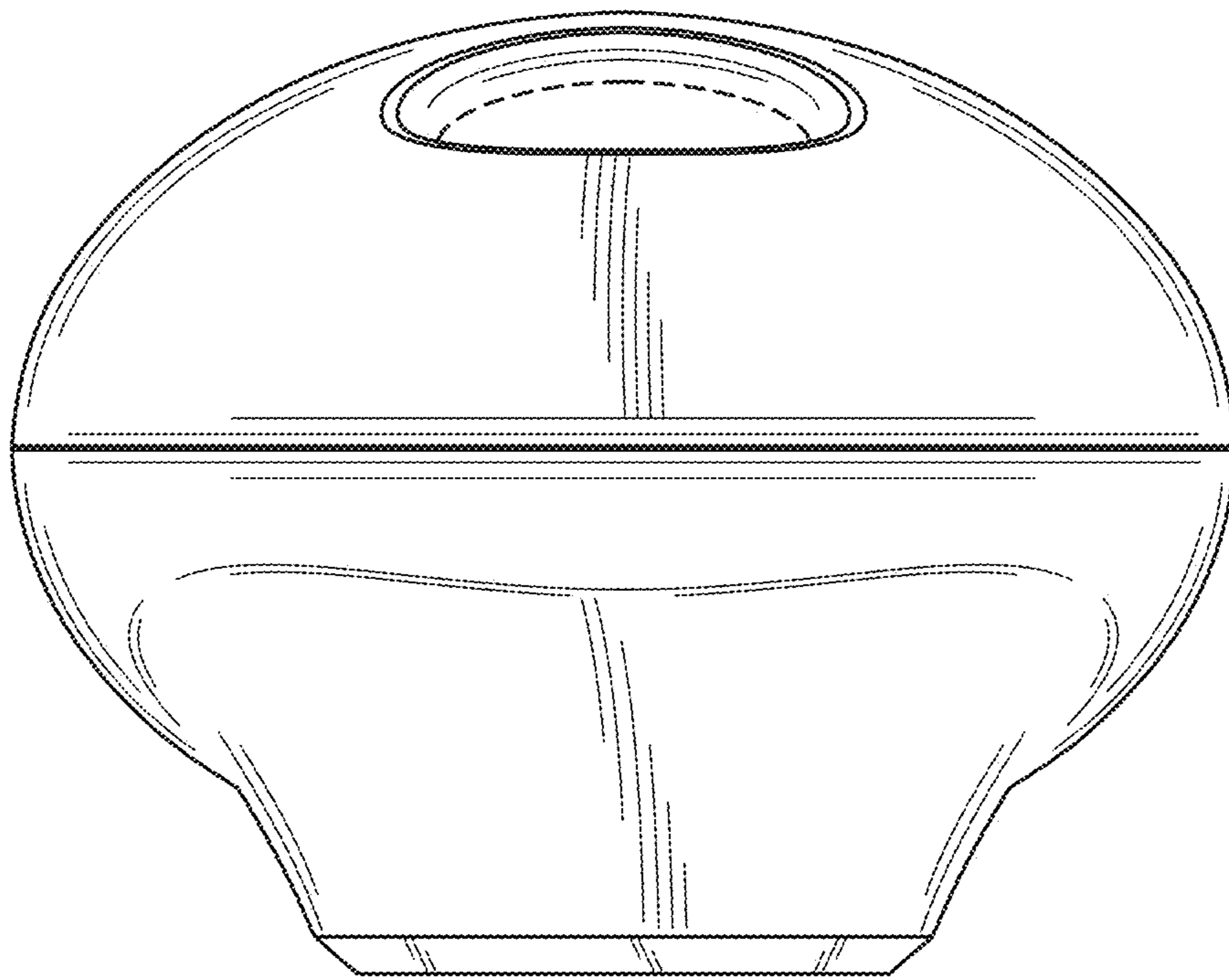


FIG. 7

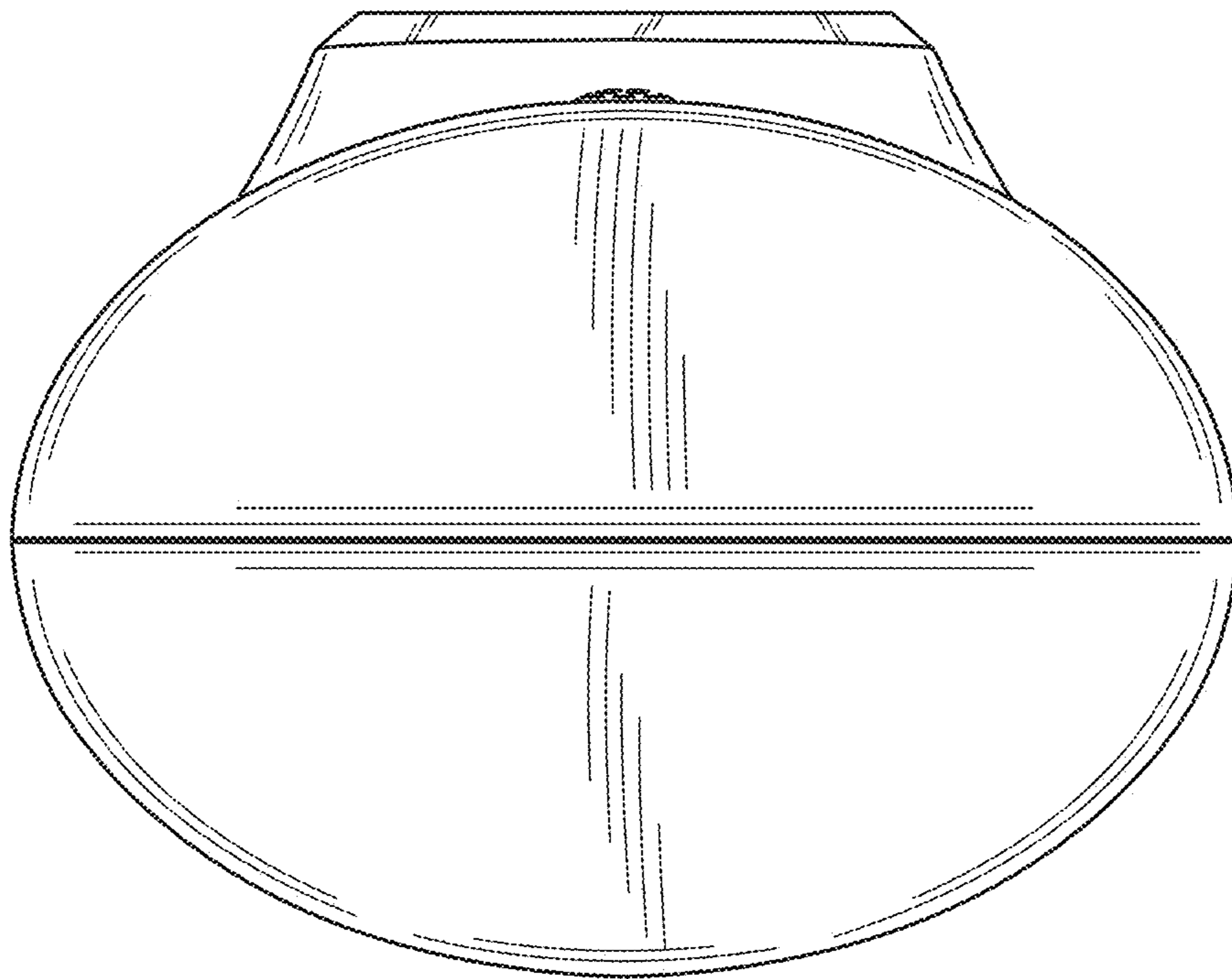


FIG. 8