

US00D894414S

(12) **United States Design Patent**
Sherrill

(10) **Patent No.:** **US D894,414 S**

(45) **Date of Patent:** **** Aug. 25, 2020**

(54) **SONIC MASSAGING BEAUTY ROLLER**

(71) Applicant: **Nurse Jamie, Inc.**, Santa Monica, CA
(US)

(72) Inventor: **Jamie Sherrill**, Santa Monica, CA (US)

(73) Assignee: **Nurse Jaime, Inc.**, Santa Monica, CA
(US)

(**) Term: **15 Years**

(21) Appl. No.: **29/677,882**

(22) Filed: **Jan. 24, 2019**

(51) **LOC (12) Cl.** **28-03**

(52) **U.S. Cl.**
USPC **D24/211**

(58) **Field of Classification Search**
USPC 601/19, 22, 40, 46, 52, 63, 99, 110-113,
601/118-120, 125, DIG. 12,
601/DIG. 14-DIG. 17; D24/200, 211,
D24/212, 213, 214, 215
CPC A61B 2017/00761; A61H 2205/022; A61H
2201/1215; A61H 2201/1253; A61H
23/0263; A61H 7/00

See application file for complete search history.

(56) **References Cited**

U.S. PATENT DOCUMENTS

D259,142 S *	5/1981	Lee	D24/211
D270,279 S *	8/1983	Hamilton	D24/211
D272,090 S *	1/1984	Hosid	D24/211
D274,555 S *	7/1984	Shiu	D24/211
D366,604 S *	1/1996	Welch, Jr.	D24/211
D371,607 S *	7/1996	Taylor	D24/211
D408,544 S *	4/1999	Kalat	D24/211
D408,545 S *	4/1999	Taylor	D24/211
D492,037 S *	6/2004	Chien	D24/211
D656,621 S *	3/2012	Matsushita	D24/215
D657,065 S *	4/2012	Matsushita	D24/215
D666,304 S *	8/2012	Matsushita	D24/215

D668,771 S *	10/2012	Matsushita	D24/211
D669,998 S *	10/2012	Matsushita	D24/215
D673,284 S *	12/2012	Lowsky	D24/214
D674,500 S *	1/2013	Matsushita	D24/211
D725,788 S *	3/2015	Matsushita	D24/211
D725,789 S *	3/2015	Matsushita	D24/211
D728,115 S *	4/2015	Matsushita	D24/211
D820,466 S *	6/2018	Matsushita	D24/215
D842,487 S *	3/2019	Matsushita	D24/211
D844,797 S *	4/2019	Matsushita	D24/211
D857,907 S *	8/2019	Luo	D24/211
D857,908 S *	8/2019	Matsushita	D24/211
D857,909 S *	8/2019	Matsushita	D24/211
D865,205 S *	10/2019	Matsushita	D24/211
D865,206 S *	10/2019	Matsushita	D24/211

(Continued)

OTHER PUBLICATIONS

Dermstore, "Nurse Jamie Uplift Body", Nov. 3, 2018. https://www.dermstore.com/product_Uplift+Body+_78075.htm#ratings. Shown on p. 1. (Year: 2018).*

Primary Examiner — Cynthia Ramirez

Assistant Examiner — Michael A Maharajh

(74) *Attorney, Agent, or Firm* — Ziegler IP Law Group, LLC

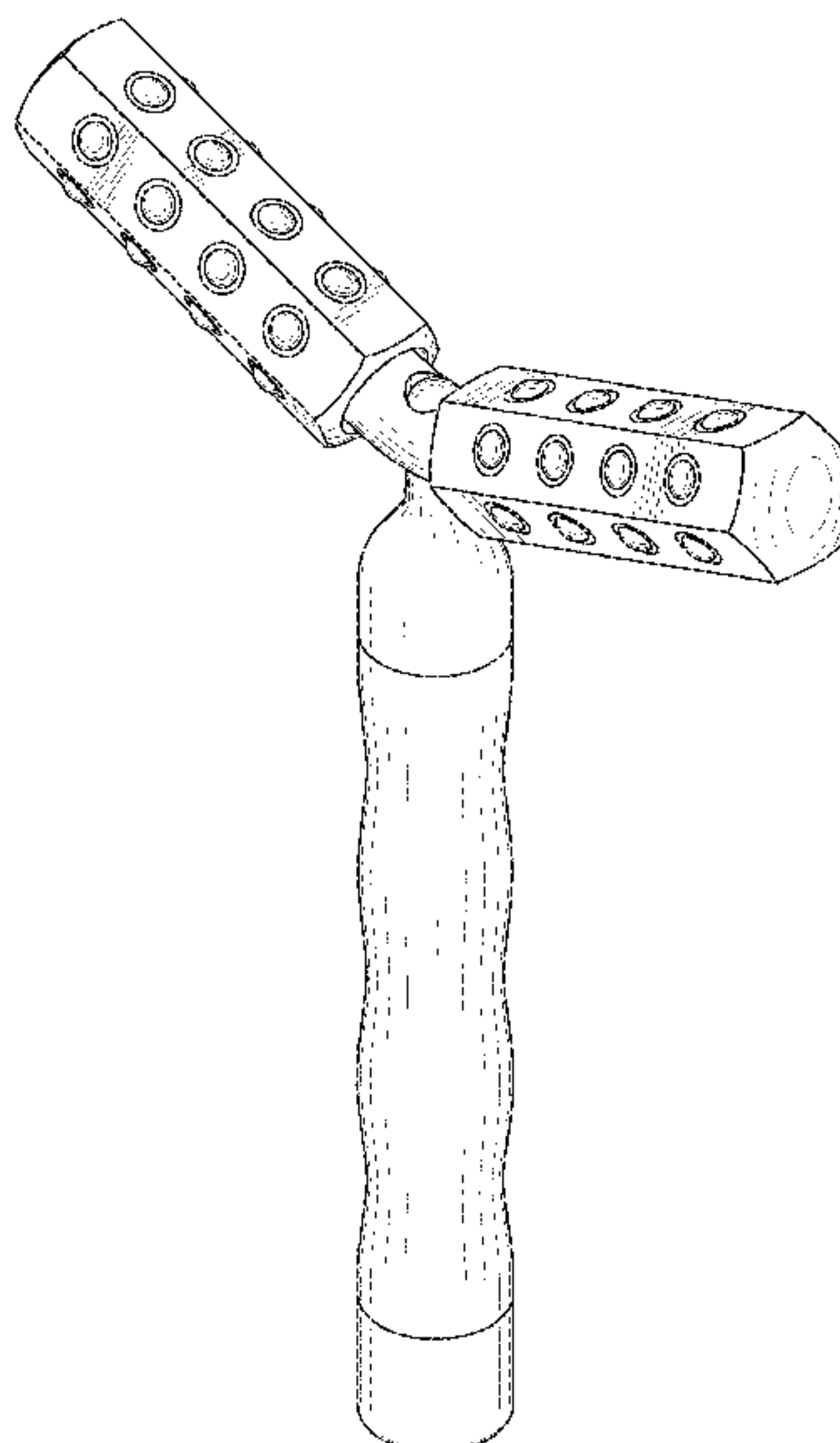
(57) **CLAIM**

The ornamental design for a sonic massaging beauty roller, as shown and described.

DESCRIPTION

FIG. 1 is a top perspective view of a sonic massaging beauty roller showing the new design;
FIG. 2 is a front view thereof;
FIG. 3 is a back view thereof;
FIG. 4 is a side view thereof;
FIG. 5 is another side view thereof;
FIG. 6 is a top view thereof; and,
FIG. 7 is a bottom view thereof.

1 Claim, 6 Drawing Sheets



(56)

References Cited

U.S. PATENT DOCUMENTS

D865,207 S * 10/2019 Matsushita D24/211
D865,208 S * 10/2019 Matsushita D24/211
2006/0089578 A1* 4/2006 Hsu A61H 15/00
601/118
2006/0276732 A1* 12/2006 Chen A61H 15/0092
601/113
2013/0245509 A1* 9/2013 Tanigawa A61H 15/0092
601/120
2014/0288473 A1* 9/2014 Matsushita A61H 15/00
601/137
2018/0116903 A1* 5/2018 Matsushita A61H 15/00
2018/0140500 A1* 5/2018 Matsushita A61H 15/0092
2019/0008718 A1* 1/2019 Matsushita A61H 15/0092

* cited by examiner

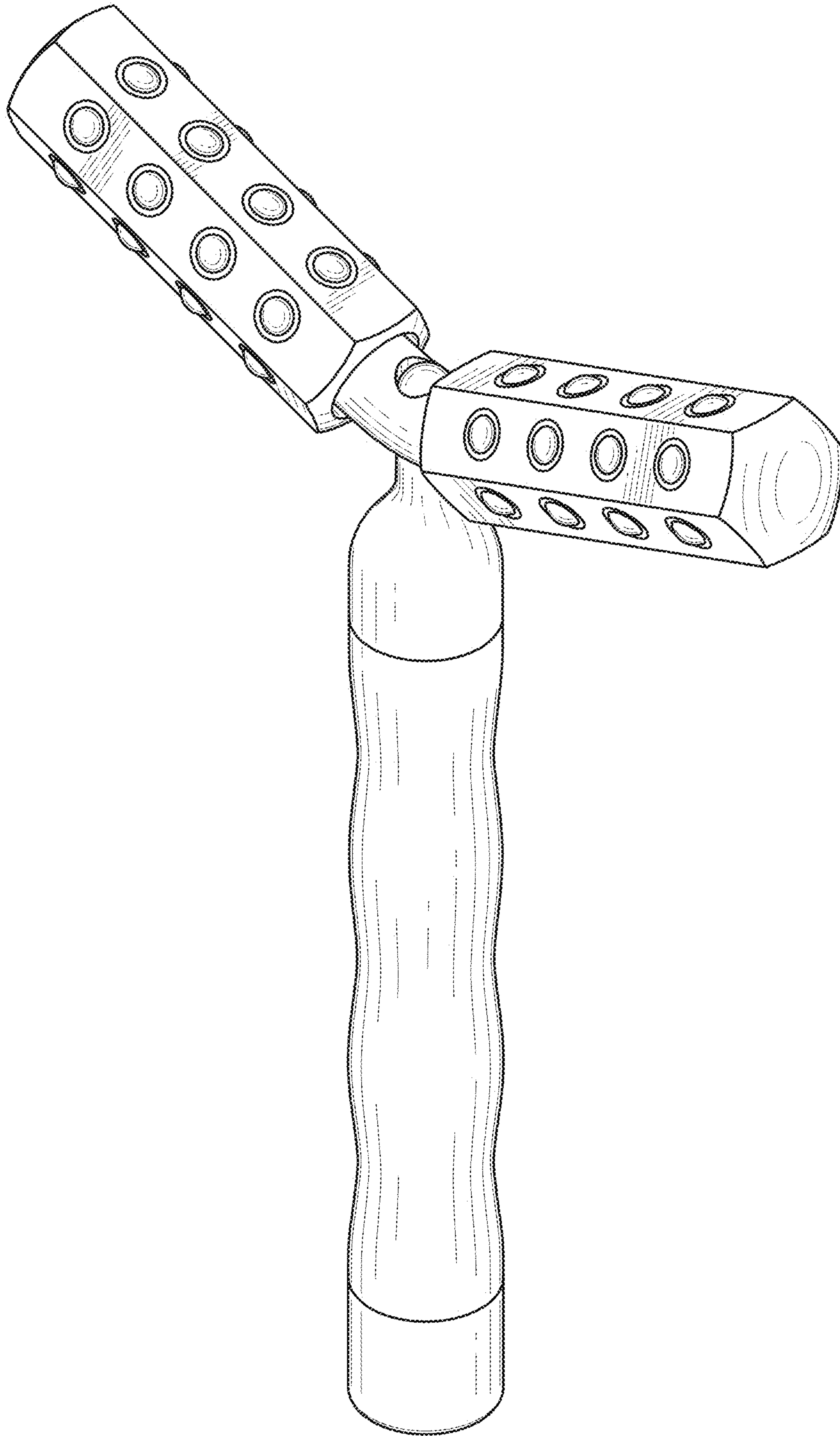


FIG. 1

FIG. 2

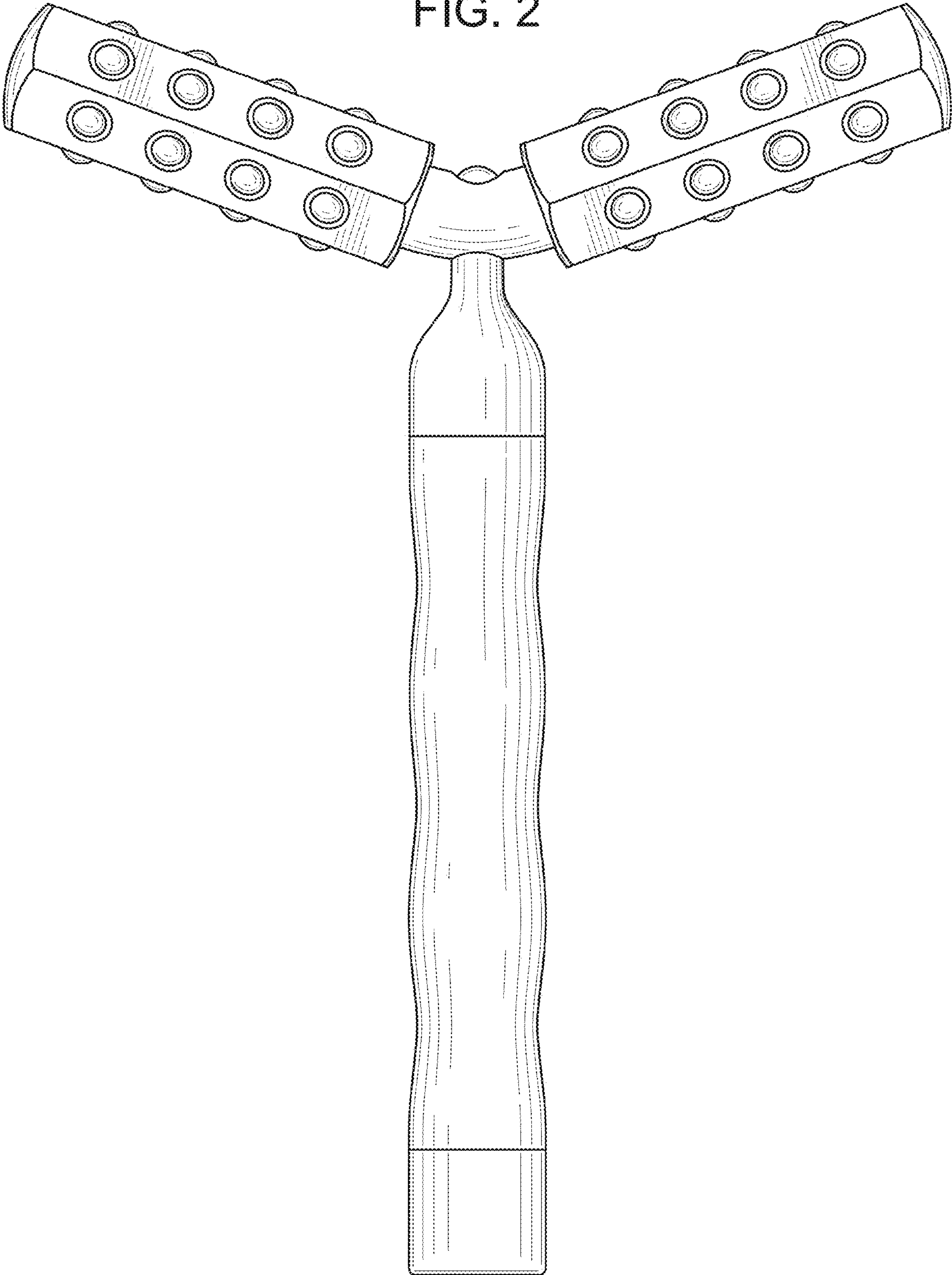


FIG. 3

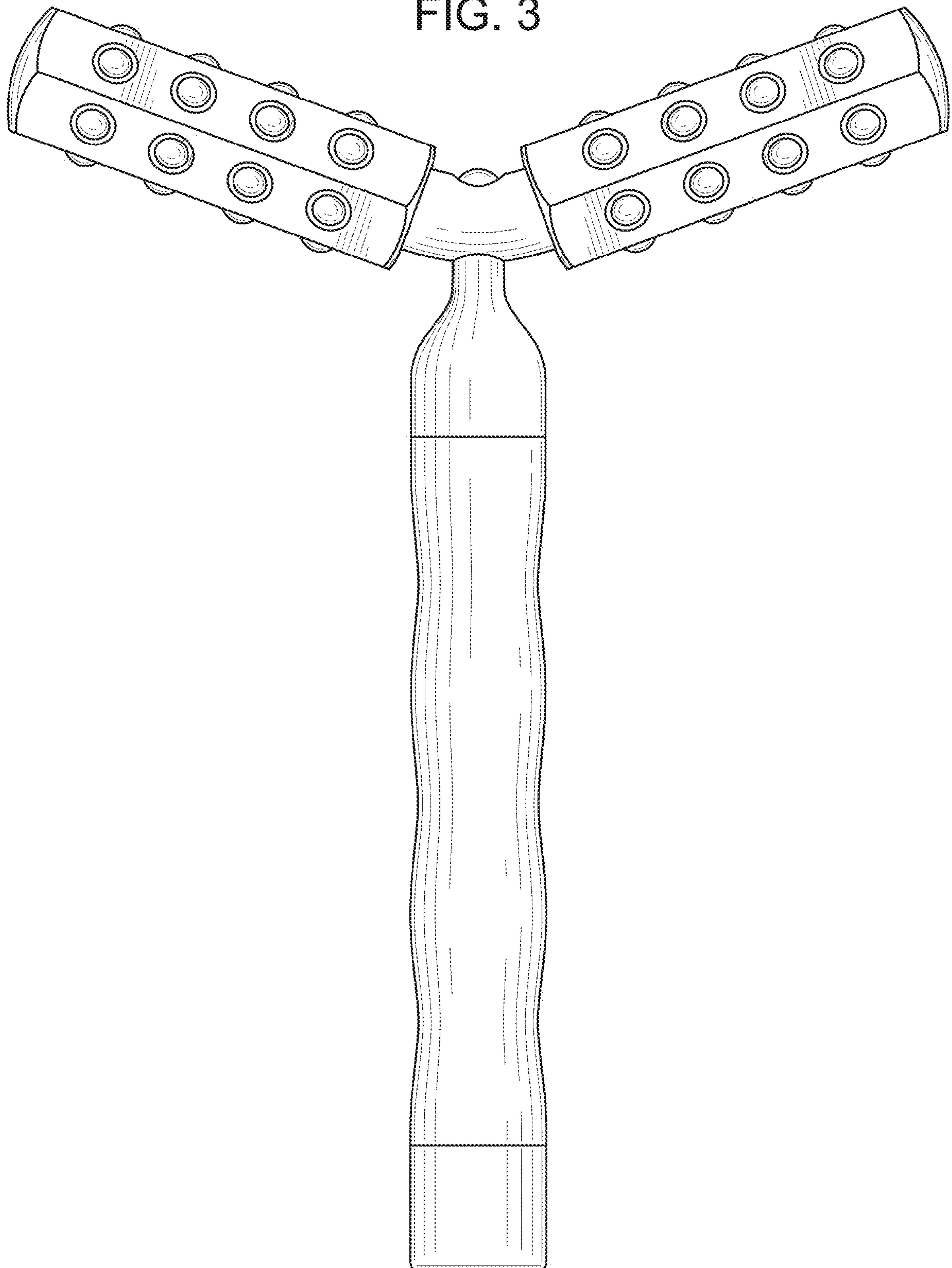


FIG. 4

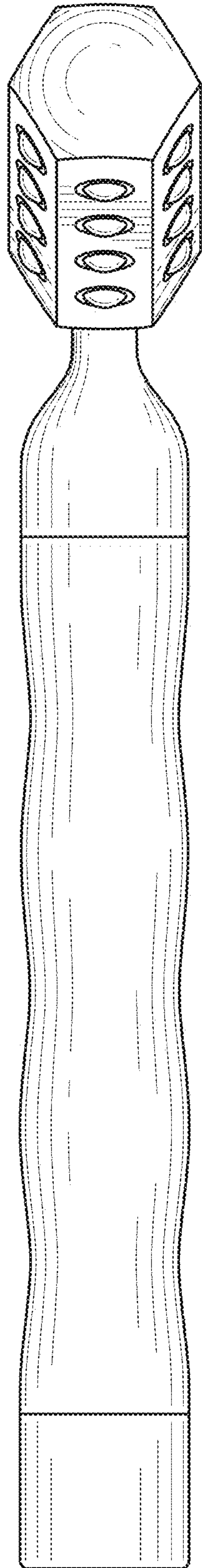


FIG. 5

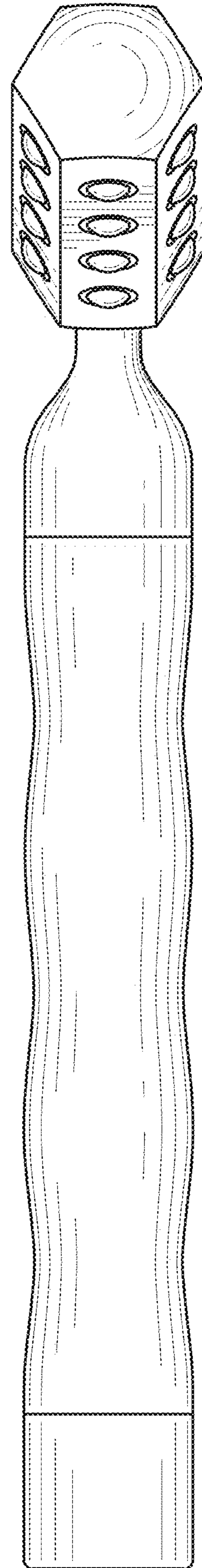


FIG. 6

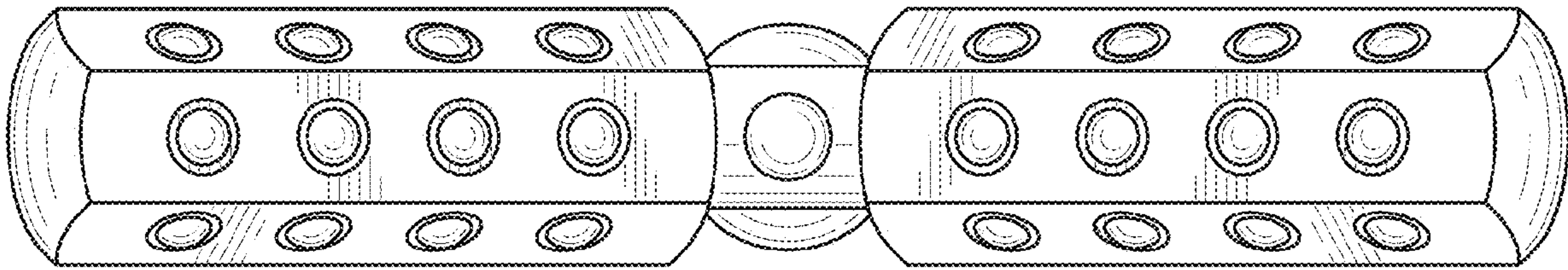


FIG. 7

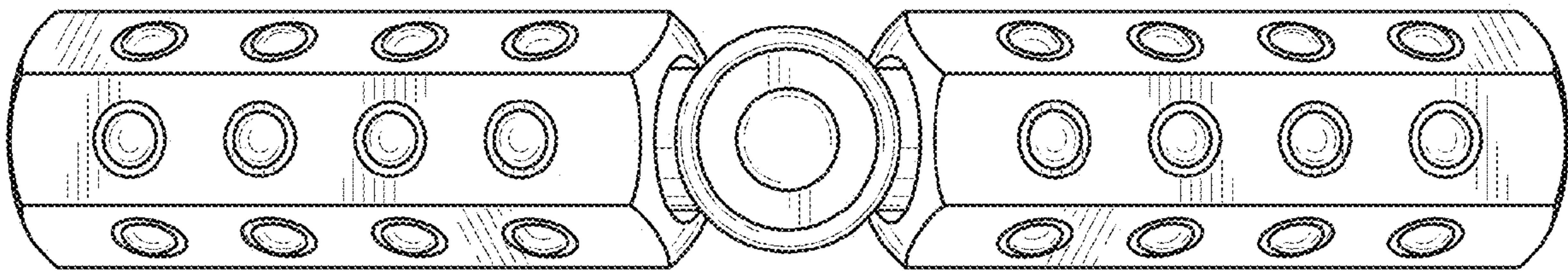


FIG. 8

