



US00D894411S

(12) **United States Design Patent**  
**Jin**

(10) **Patent No.:** **US D894,411 S**

(45) **Date of Patent:** **\*\* Aug. 25, 2020**

(54) **RADIO FREQUENCY MASSAGER**

(71) Applicant: **Shenzhen DJ Innovation Industry Co., Ltd**, Shenzhen (CN)

(72) Inventor: **Bo Jin**, Shenzhen (CN)

(\*\*) Term: **15 Years**

(21) Appl. No.: **29/690,419**

(22) Filed: **May 8, 2019**

(30) **Foreign Application Priority Data**

Nov. 9, 2018 (CN) ..... 2018 3 0634962

(51) **LOC (12) Cl.** ..... **28-03**

(52) **U.S. Cl.**  
USPC ..... **D24/200**

(58) **Field of Classification Search**

USPC .... D24/200, 209–211, 214–215; 607/96, 98,  
607/108, 145

CPC ..... A61H 7/00; A61H 7/003; A61H 7/004;  
A61H 15/00; A61H 15/0078; A61H  
15/0085; A61H 15/0092; A61H  
2015/0007; A61H 2015/0042; A61H  
2201/1253; A61H 2205/02; A61H  
2205/022; A61N 1/36021

See application file for complete search history.

(56) **References Cited**

**U.S. PATENT DOCUMENTS**

D266,532 S \* 10/1982 Grube ..... D24/211  
D298,775 S \* 11/1988 Lee ..... D24/214

D361,404 S \* 8/1995 Haas ..... D24/200  
D448,852 S \* 10/2001 Engelen ..... D24/215  
D538,430 S \* 3/2007 Ohta ..... D24/214  
D659,843 S \* 5/2012 Wang ..... D24/200  
D819,221 S \* 5/2018 Lei ..... D24/200  
D822,841 S \* 7/2018 Cheng ..... D24/206  
D861,908 S \* 10/2019 Gan ..... D24/214  
2017/0232244 A1 \* 8/2017 Geva ..... A61H 7/00  
604/2

\* cited by examiner

*Primary Examiner* — Wan Laymon

(74) *Attorney, Agent, or Firm* — HYIP

(57) **CLAIM**

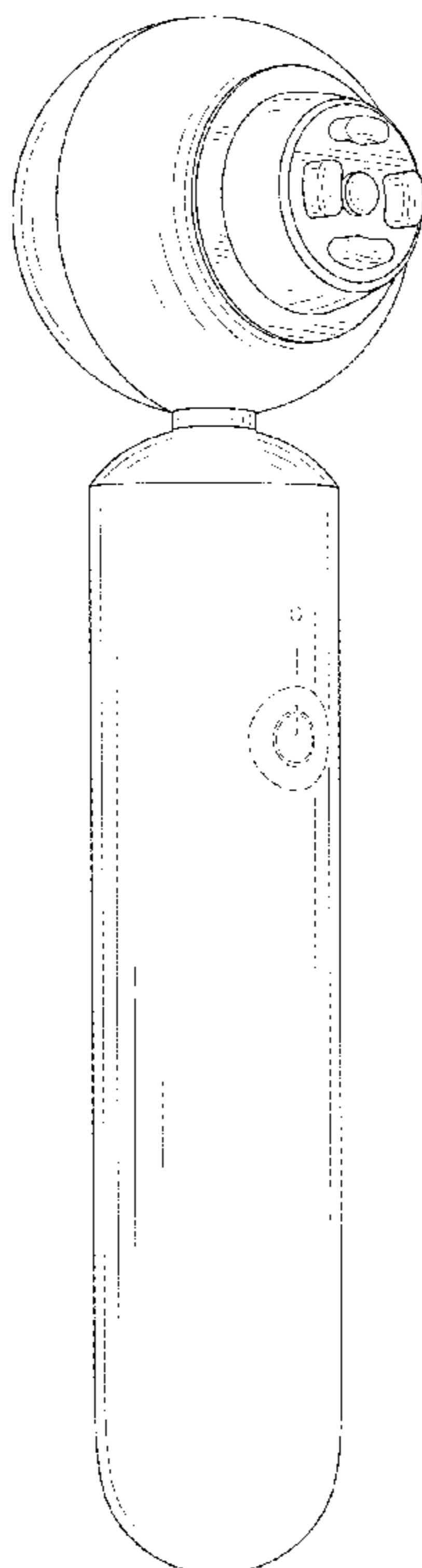
The ornamental design for a radio frequency massager, as shown and described.

**DESCRIPTION**

FIG. 1 is a perspective view of a radio frequency massager showing my design;  
FIG. 2 is a front view thereof;  
FIG. 3 is a back view thereof;  
FIG. 4 is a left side view thereof;  
FIG. 5 is a right side view thereof;  
FIG. 6 is a top view thereof; and,  
FIG. 7 is a bottom view thereof.

The broken lines shown in the drawings depict portions of the radio frequency massager in which the design is embodied that form no part of the claimed design.

**1 Claim, 7 Drawing Sheets**



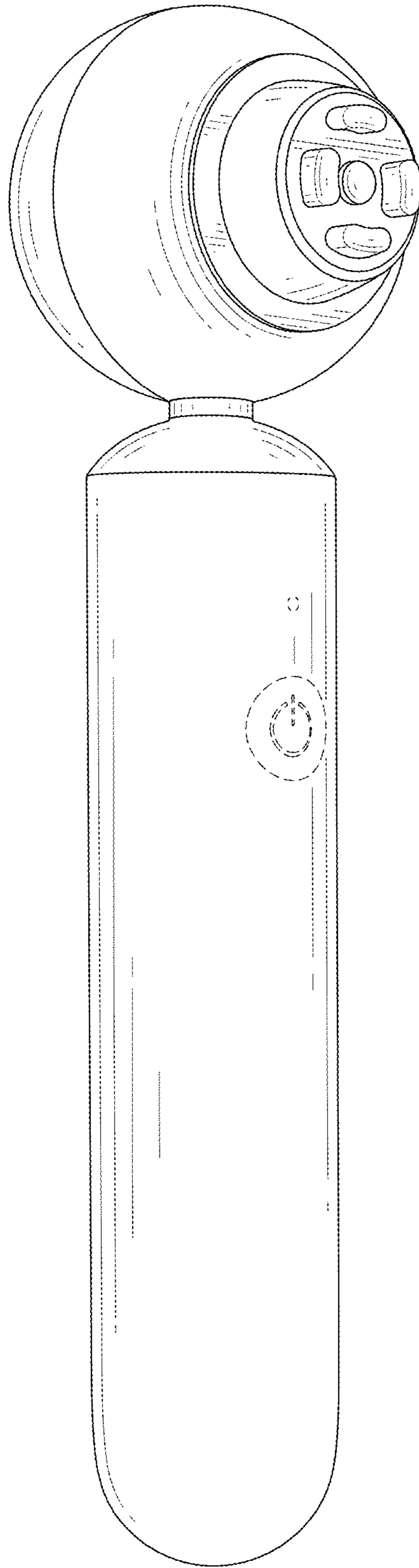


FIG. 1

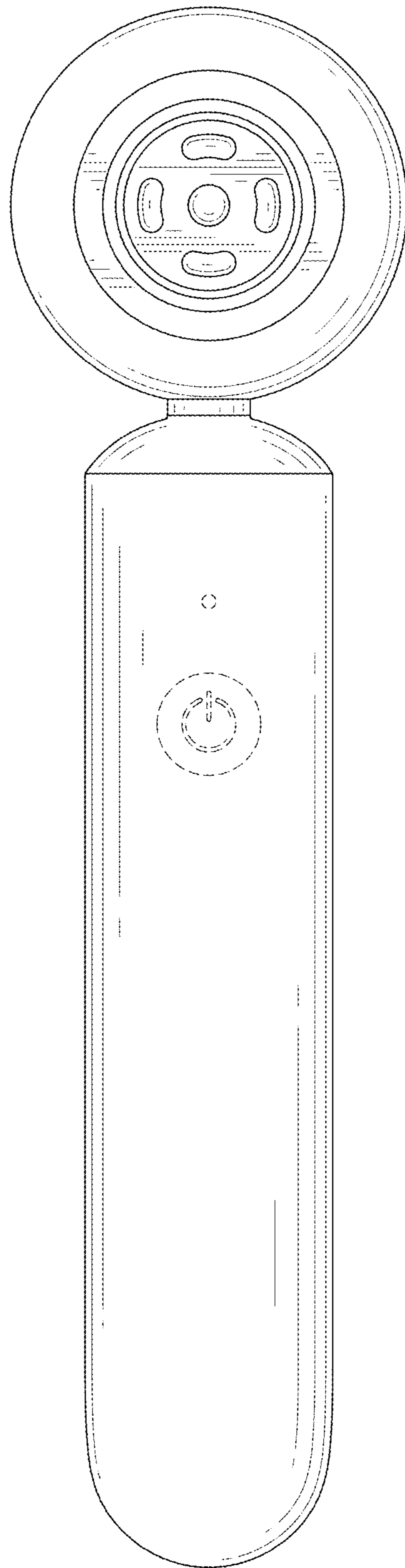


FIG. 2

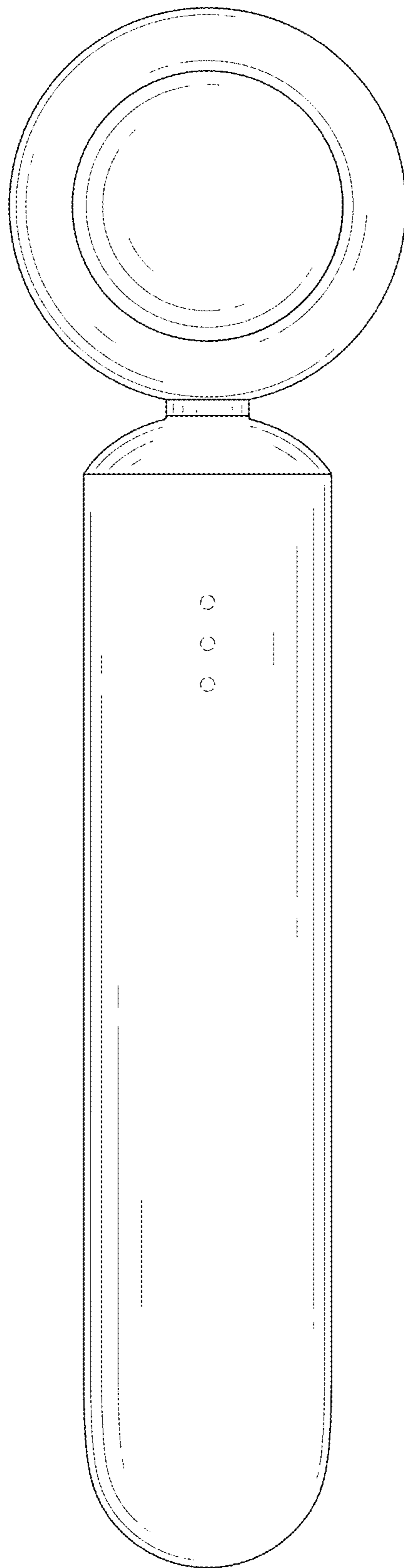


FIG. 3

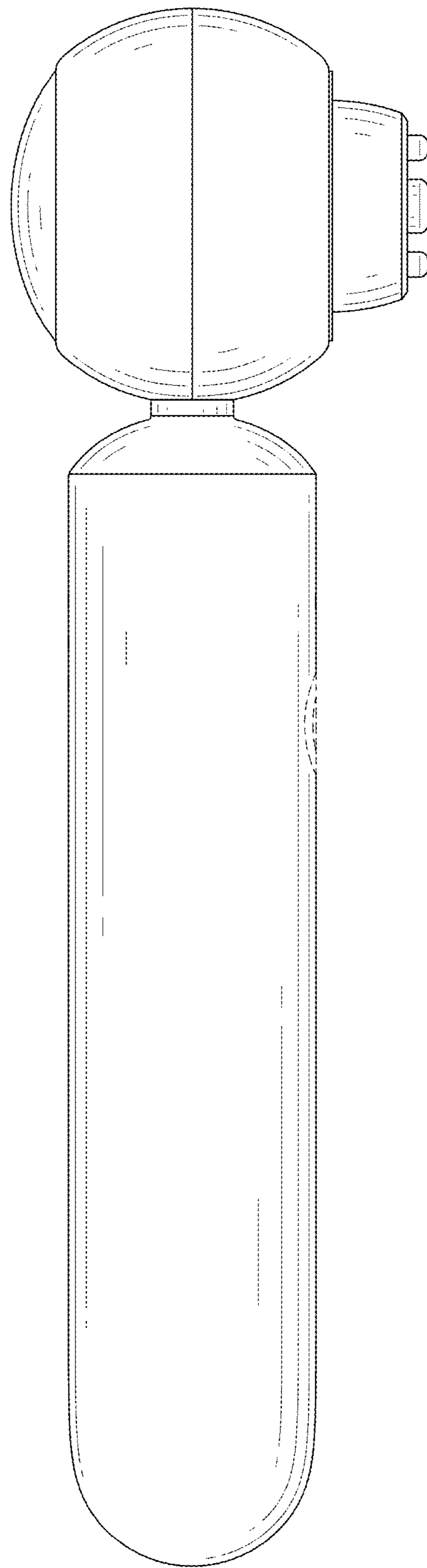


FIG. 4

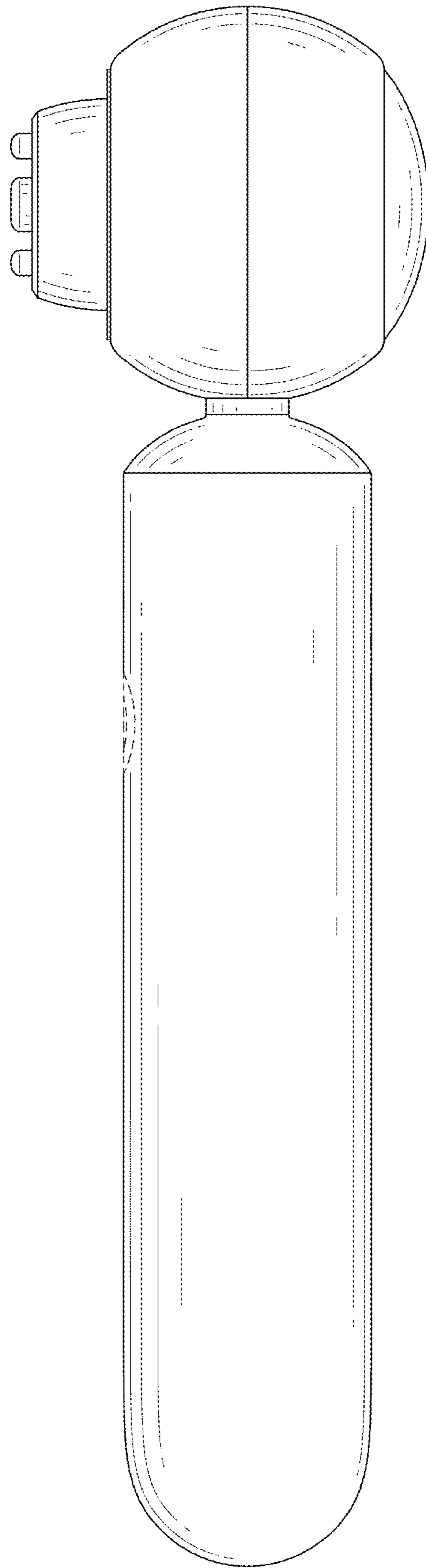


FIG. 5

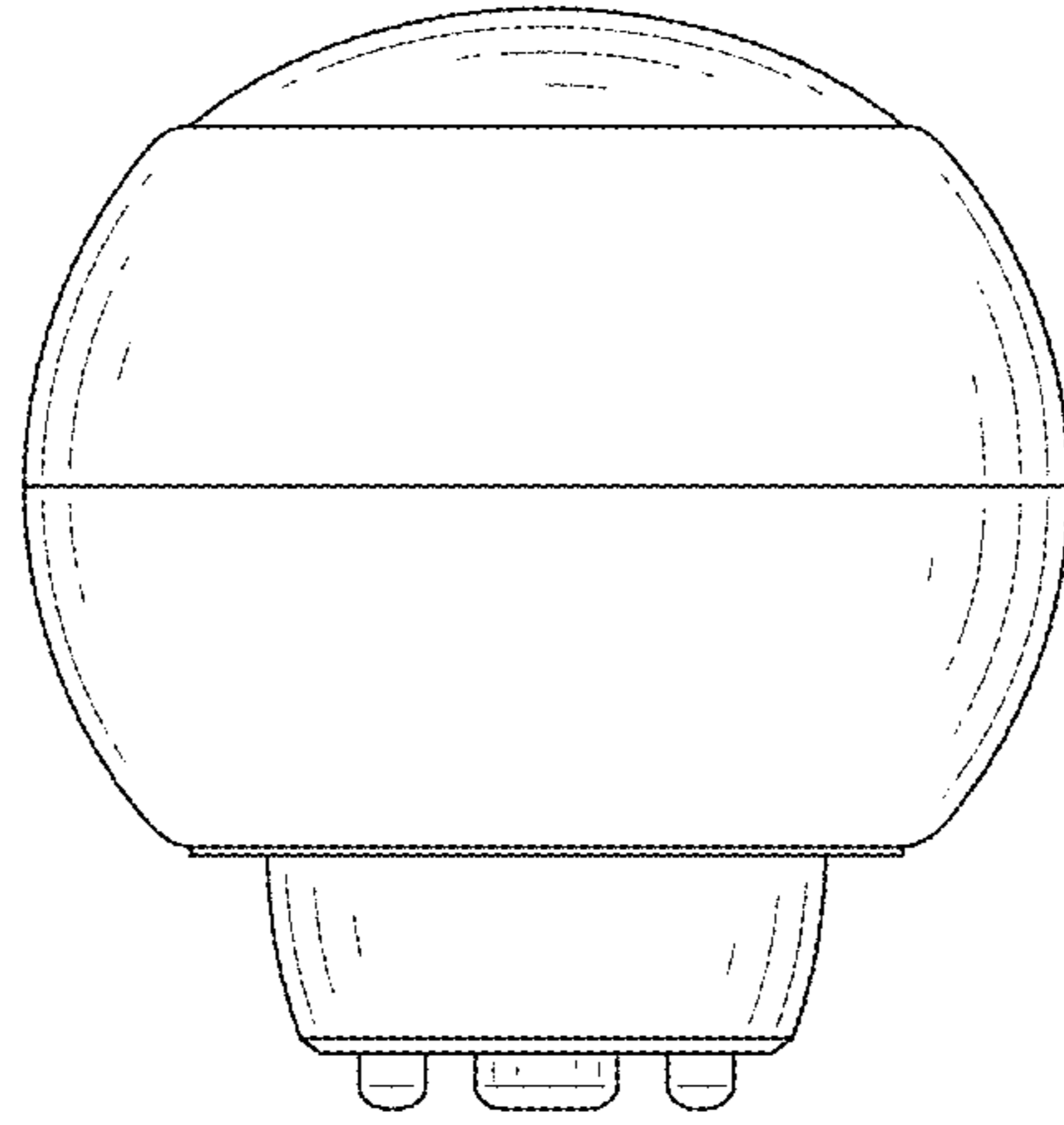


FIG. 6

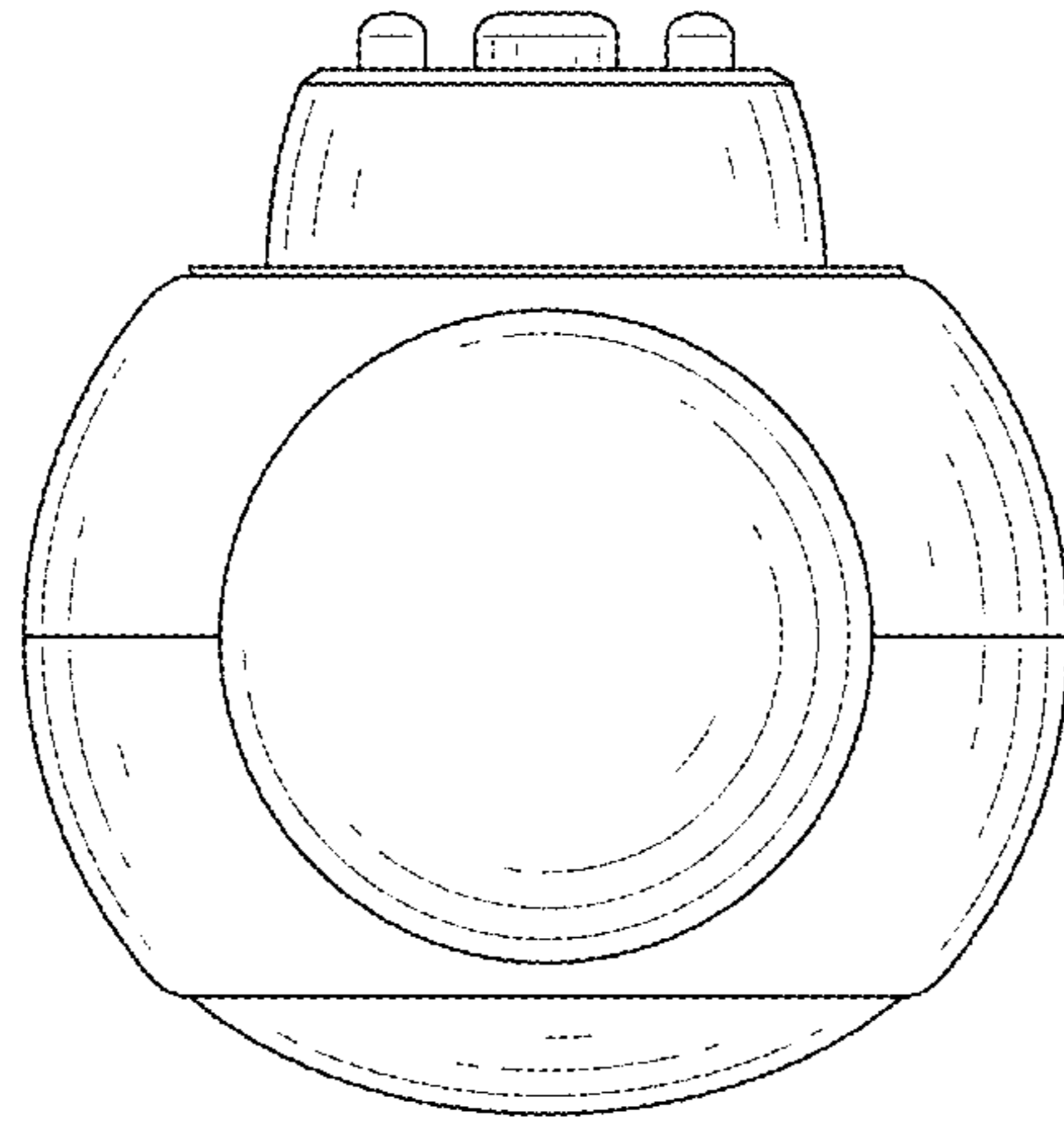


FIG. 7