



US00D894405S

(12) **United States Design Patent** (10) **Patent No.:** **US D894,405 S**
Li (45) **Date of Patent:** **** Aug. 25, 2020**

(54) **SLEEP TRAINER**
(71) Applicant: **Conghua Li**, Markham (CA)
(72) Inventor: **Conghua Li**, Markham (CA)
(**) Term: **15 Years**

(21) Appl. No.: **29/688,341**
(22) Filed: **Apr. 19, 2019**
(51) **LOC (12) Cl.** **24-01**
(52) **U.S. Cl.**
USPC **D24/186**
(58) **Field of Classification Search**
USPC D24/107, 164, 186, 187, 231; D10/104.1
CPC ... A61B 5/1114; A61B 5/1116; A61B 5/7455;
A61B 7/6823; A61B 2505/09; A61B
2562/0247; A61H 2201/165; A61H
2201/1645; A47C 16/00
See application file for complete search history.

(56) **References Cited**
U.S. PATENT DOCUMENTS

D492,781 S * 7/2004 Vielhaber D24/164
D519,210 S * 4/2006 Fernandez D24/187
D777,331 S * 1/2017 Jayalath D24/186
D796,682 S * 9/2017 Falk D24/186
D812,233 S * 3/2018 McCalmont D24/187
D829,120 S * 9/2018 Mitchell D10/104.1
D850,627 S * 6/2019 Purani D24/186

2010/0319132 A1* 12/2010 Li A47C 16/00
5/636
2015/0374266 A1* 12/2015 Cohen A61B 5/1116
600/594
2016/0029929 A1* 2/2016 Worthen A61B 5/6803
600/595
2018/0192920 A1* 7/2018 Rosenblood A61B 5/103

FOREIGN PATENT DOCUMENTS

CA 174009 * 11/2017

* cited by examiner

Primary Examiner — Anhdao Doan

(57) **CLAIM**

The ornamental design for a sleep trainer, as shown and described.

DESCRIPTION

FIG. 1 is a front perspective view of a sleep trainer showing my new design;
FIG. 2 is a front view thereof;
FIG. 3 is a rear view thereof;
FIG. 4 is a left side view thereof;
FIG. 5 is a right side view thereof;
FIG. 6 is a top view thereof; and,
FIG. 7 is a bottom view thereof.

The broken lines illustrate portions of the sleep trainer that form no part of the claimed design. The broken lines form no part of the claimed design.

1 Claim, 7 Drawing Sheets



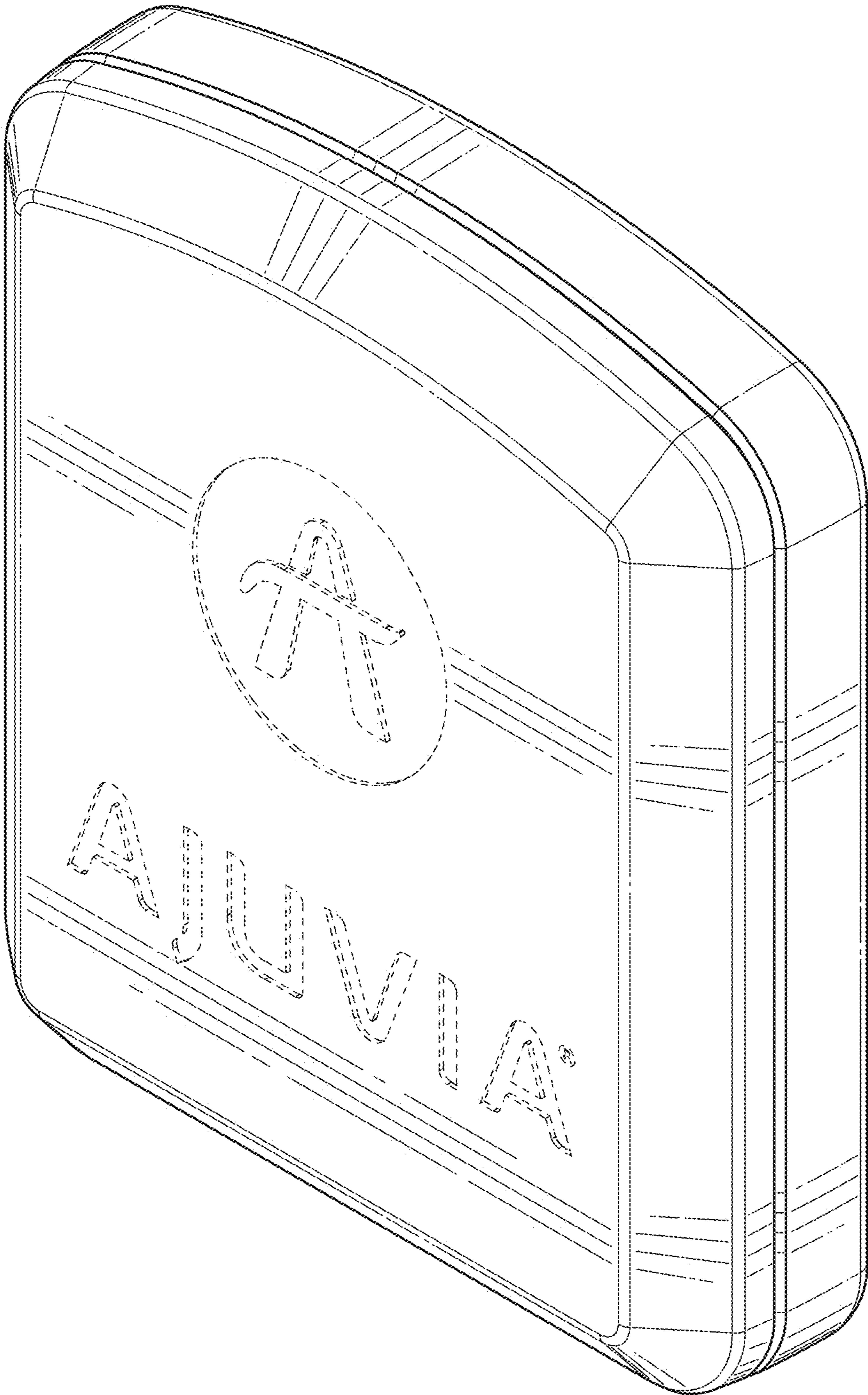


FIG. 1



FIG. 2

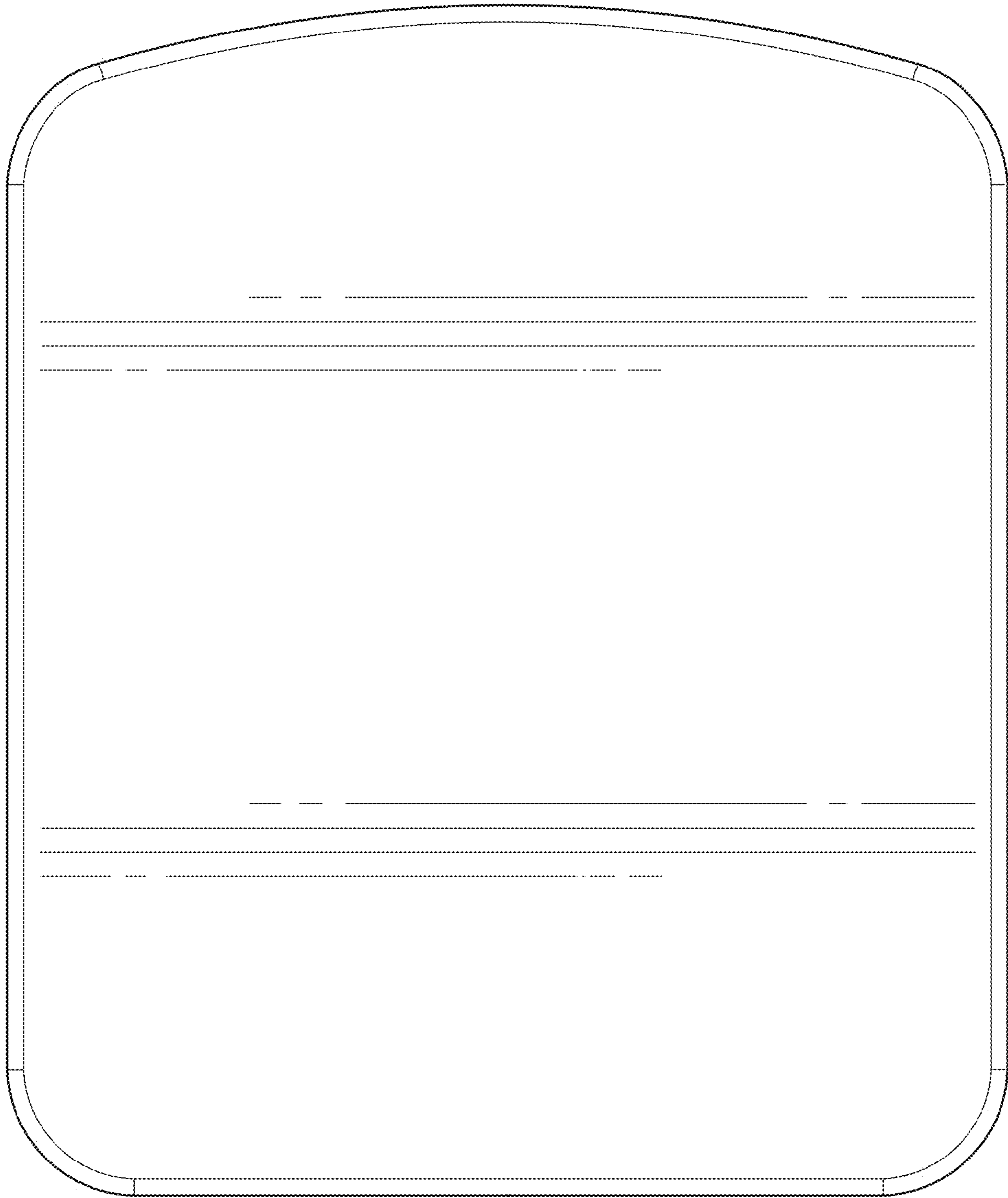


FIG. 3

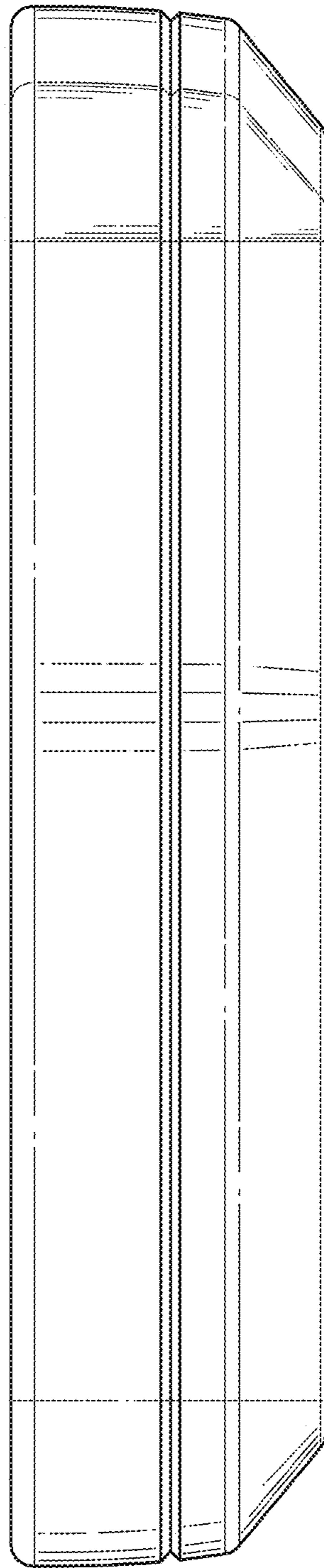


FIG. 4

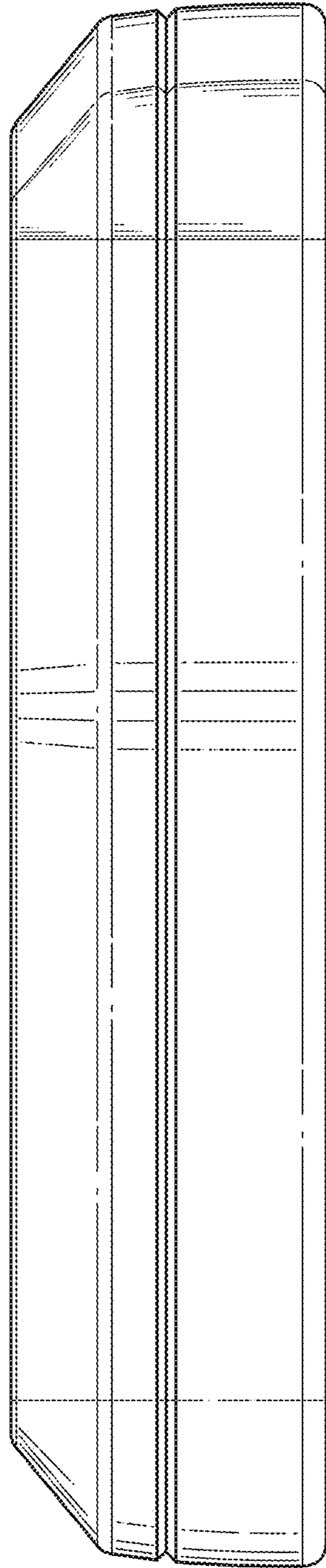


FIG. 5

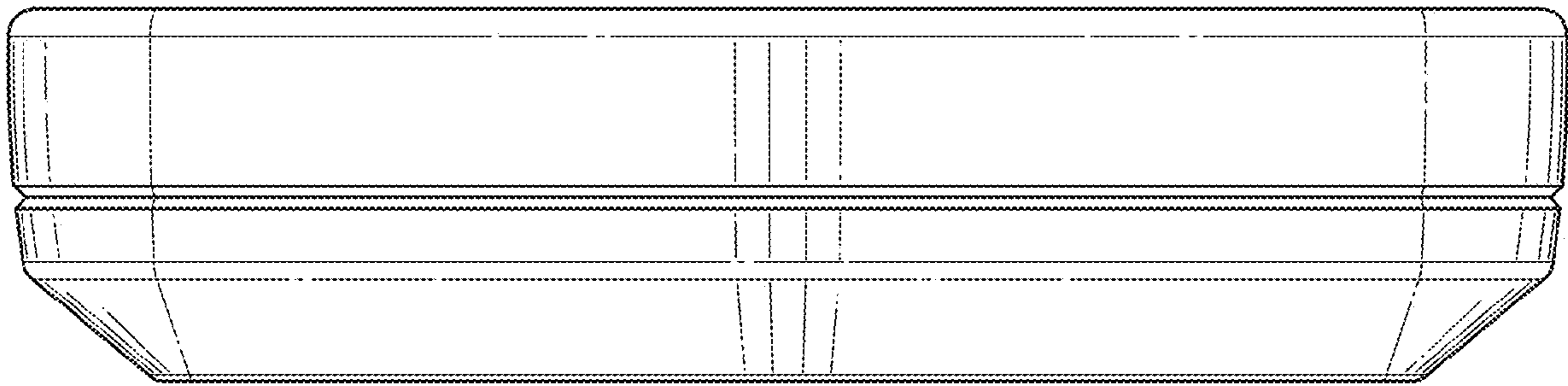


FIG. 6

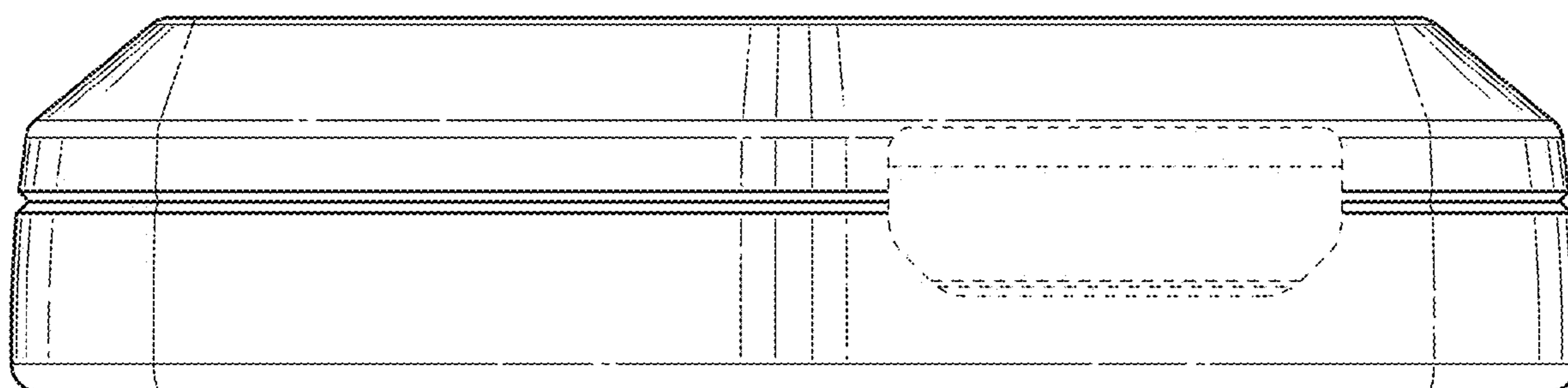


FIG. 7