



US00D894403S

(12) **United States Design Patent** (10) **Patent No.:** **US D894,403 S**
Couch et al. (45) **Date of Patent:** **** Aug. 25, 2020**

(54) **MOBILE CART**

(56) **References Cited**

(71) Applicant: **Midmark Corporation**, Versailles, OH (US)

U.S. PATENT DOCUMENTS

(72) Inventors: **Michael C. Couch**, Troy, OH (US); **Daniel A Albers**, New Weston, OH (US); **Connor James Osowski**, Dayton, OH (US); **Darin Gregory Whittington**, Versailles, OH (US); **Jeffrey T. DeBord**, Worthington, OH (US); **Rainer Bernhard Teufel**, Worthington, OH (US); **Todd Linthicum**, Bexley, OH (US); **Jay F. Perkins**, Pickerington, OH (US); **David Simpson**, Worthington, OH (US); **Calin Constantin Solomon**, Columbus, OH (US)

D632,796 S * 2/2011 Ross D24/185
D657,470 S * 4/2012 Schon D24/186
8,292,807 B2 * 10/2012 Perkins A61B 5/0002
600/301
D712,042 S * 8/2014 Chung D24/185
9,027,940 B2 * 5/2015 Ergun B62B 3/005
280/47.26

(Continued)

Primary Examiner — Gino Colan

(74) *Attorney, Agent, or Firm* — Frost Brown Todd LLC

(73) Assignee: **Midmark Corporation**, Versailles, OH (US)

(57) **CLAIM**

The ornamental design for a mobile cart, as shown and described.

(**) Term: **15 Years**

DESCRIPTION

(21) Appl. No.: **29/663,356**

FIG. 1 is a perspective view of a mobile cart with monitor mount showing our new design in a first position; FIG. 2 is a front elevational view thereof; FIG. 3 is a back elevational view thereof; FIG. 4 is a left elevational view thereof; FIG. 5 is a right elevational view thereof; FIG. 6 is a top plan view thereof; FIG. 7 is a bottom plan view thereof; FIG. 8 is a perspective view of the mobile cart with monitor mount in a second position; FIG. 9 is a front elevational view thereof; FIG. 10 is a back elevational view thereof; FIG. 11 is a left elevational view thereof; FIG. 12 is a right elevational view thereof; FIG. 13 is a top plan view thereof; and, FIG. 14 is a bottom plan view thereof.

(22) Filed: **Sep. 14, 2018**

(51) **LOC (12) Cl.** **24-05**

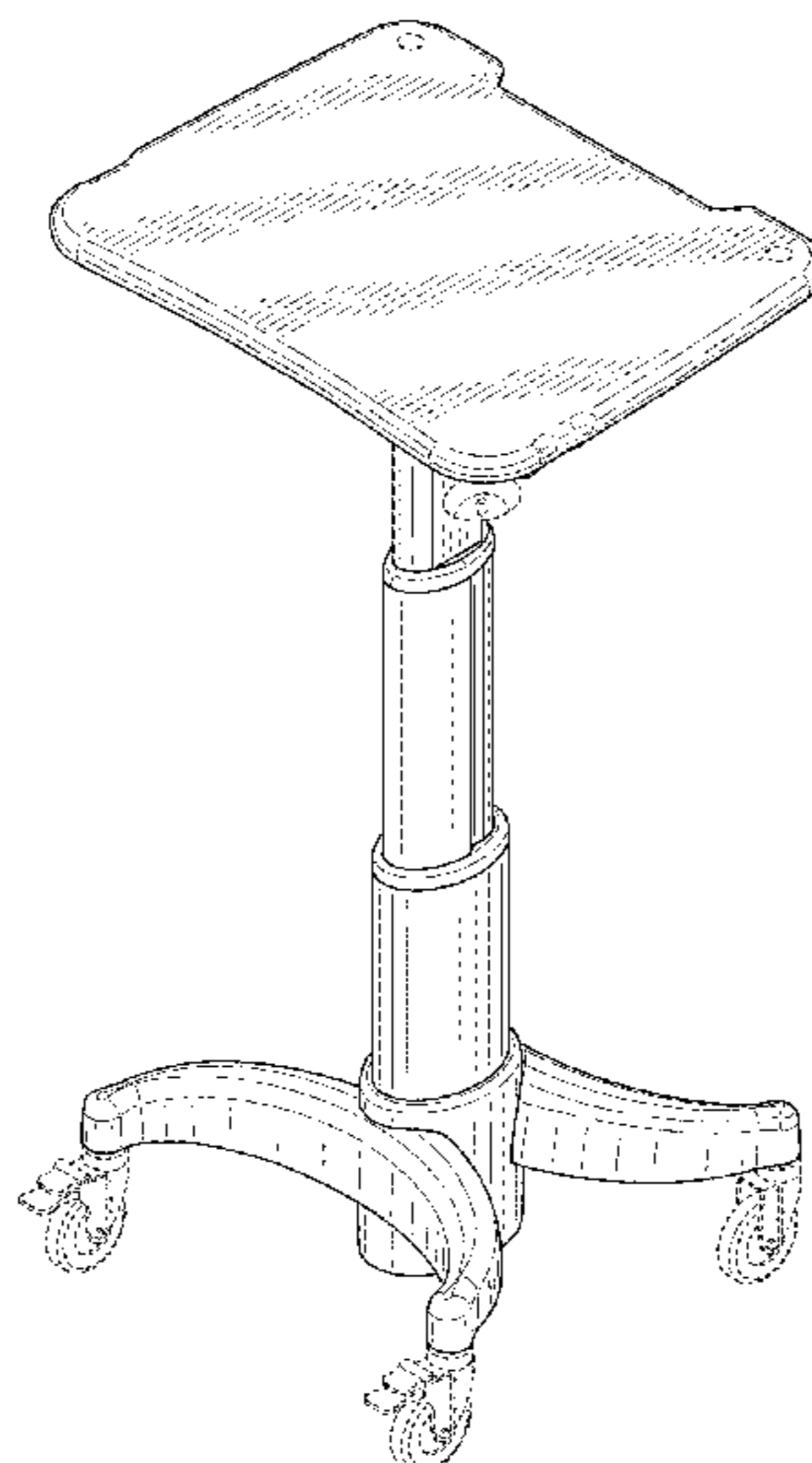
(52) **U.S. Cl.**
USPC **D24/185**

(58) **Field of Classification Search**
USPC D34/12-14, 16, 17, 19-23, 25-27;
600/301; 280/47.26, 47.35, 47.34;
D24/185, 186
CPC B62B 1/12; B62B 3/02; B62B 1/16; B62B 1/20; B62B 2205/006; B62B 2206/006; B62B 3/002; B62B 3/027; B62B 5/0438; B62B 1/04; B62B 1/042; B62B 1/208; B62B 2205/32; B62B 1/22; B62B 3/0606; B62B 2202/56; B60B 2200/432; A61G 12/001; A61G 2203/20; A61G 13/105; A61G 1/013; A61B 50/13; A61B 5/20

See application file for complete search history.

The broken lines shown in the drawings depicting protrusions, recesses and other features illustrate environment that forms no part of the claimed design.

1 Claim, 14 Drawing Sheets



(56)

References Cited

U.S. PATENT DOCUMENTS

D739,538 S * 9/2015 Bernal D24/185
9,155,682 B2 * 10/2015 Boyd A61J 7/0076
D786,522 S * 5/2017 Houlihan B62B 3/008
D34/14
10,426,261 B2 * 10/2019 Theis F16M 11/041
2010/0148458 A1 * 6/2010 Ross A61M 16/021
280/47.34
2011/0042911 A1 * 2/2011 Kozlowski, Jr. A47B 21/02
280/47.35

* cited by examiner

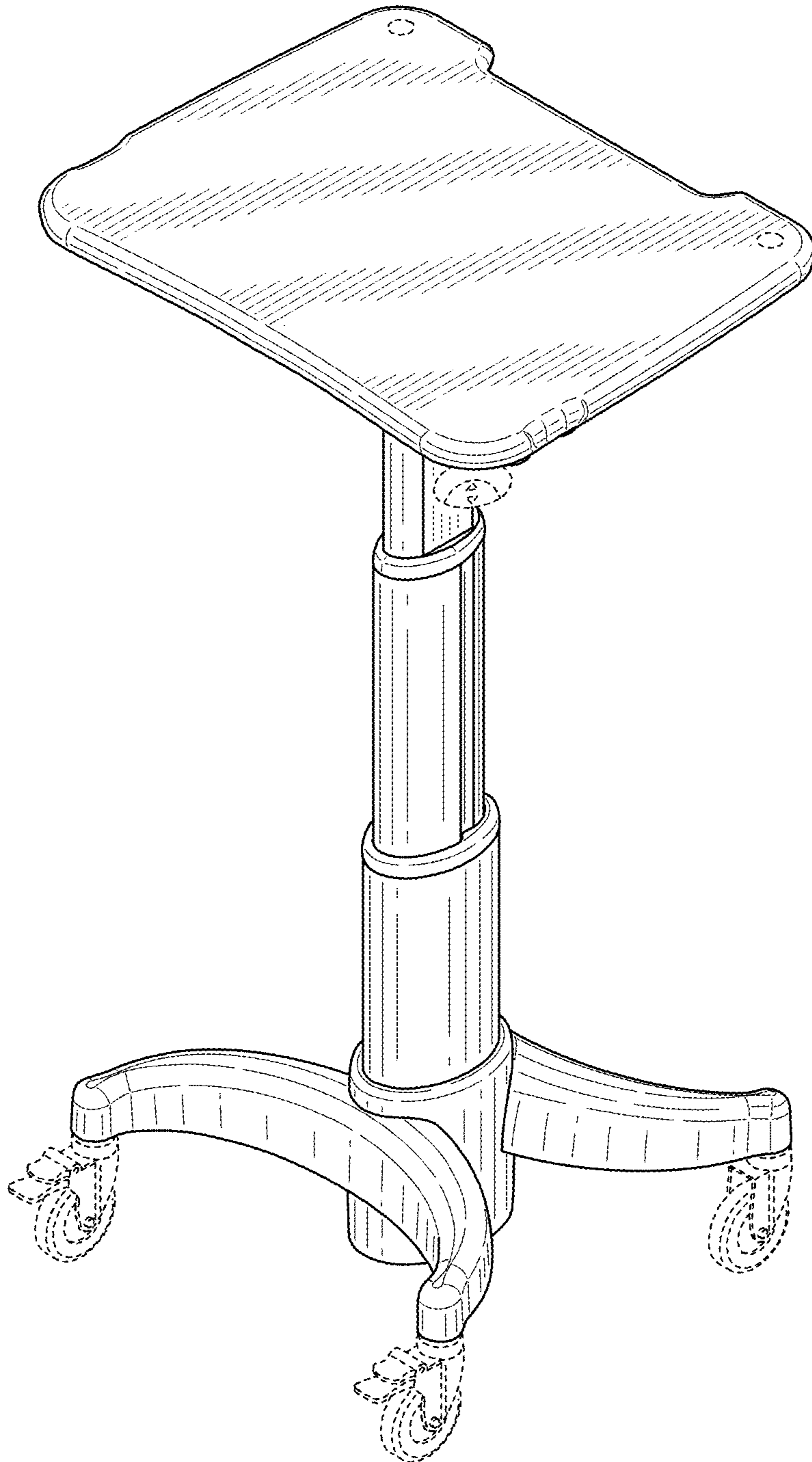


FIG. 1

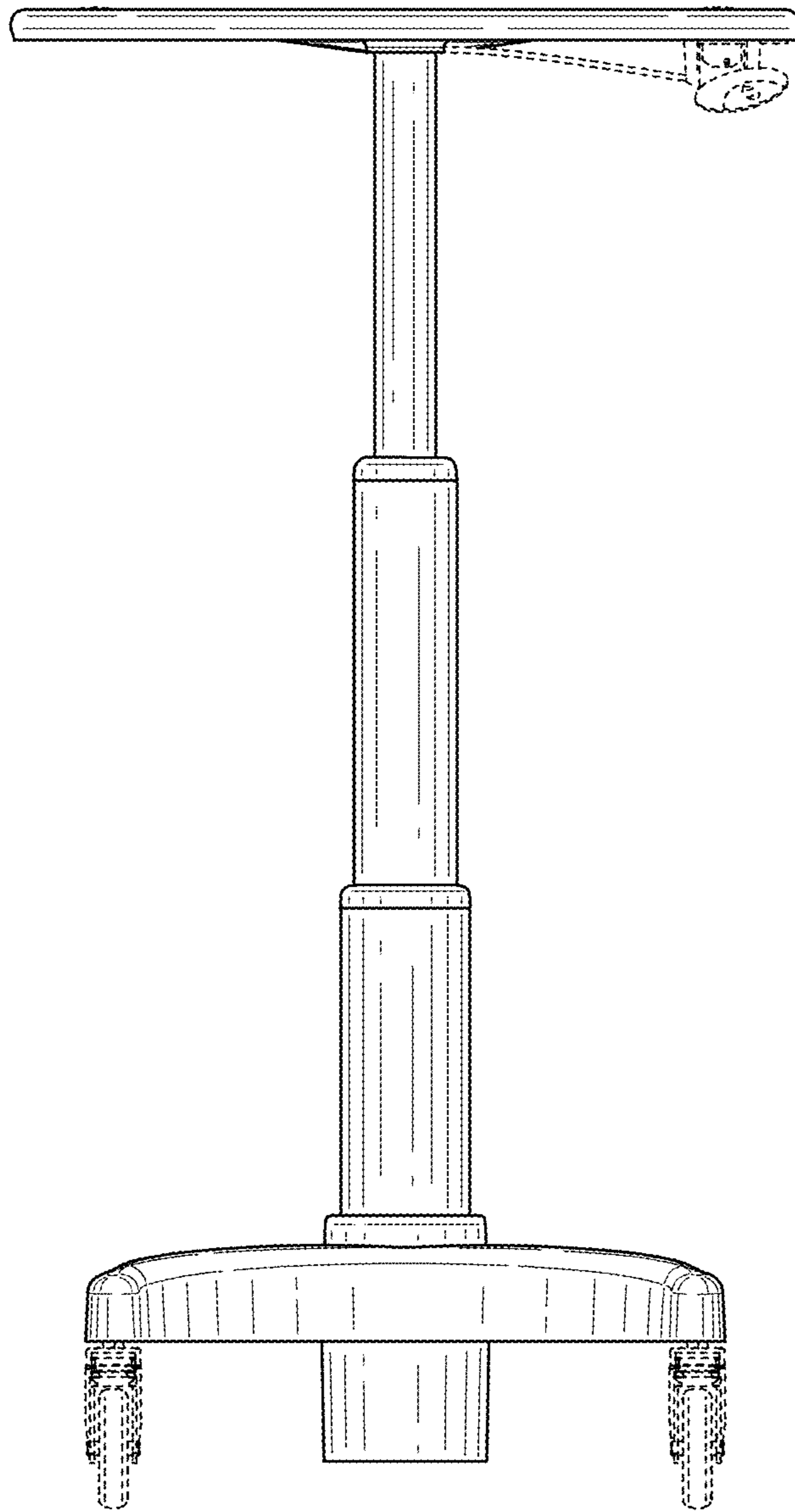


FIG. 2

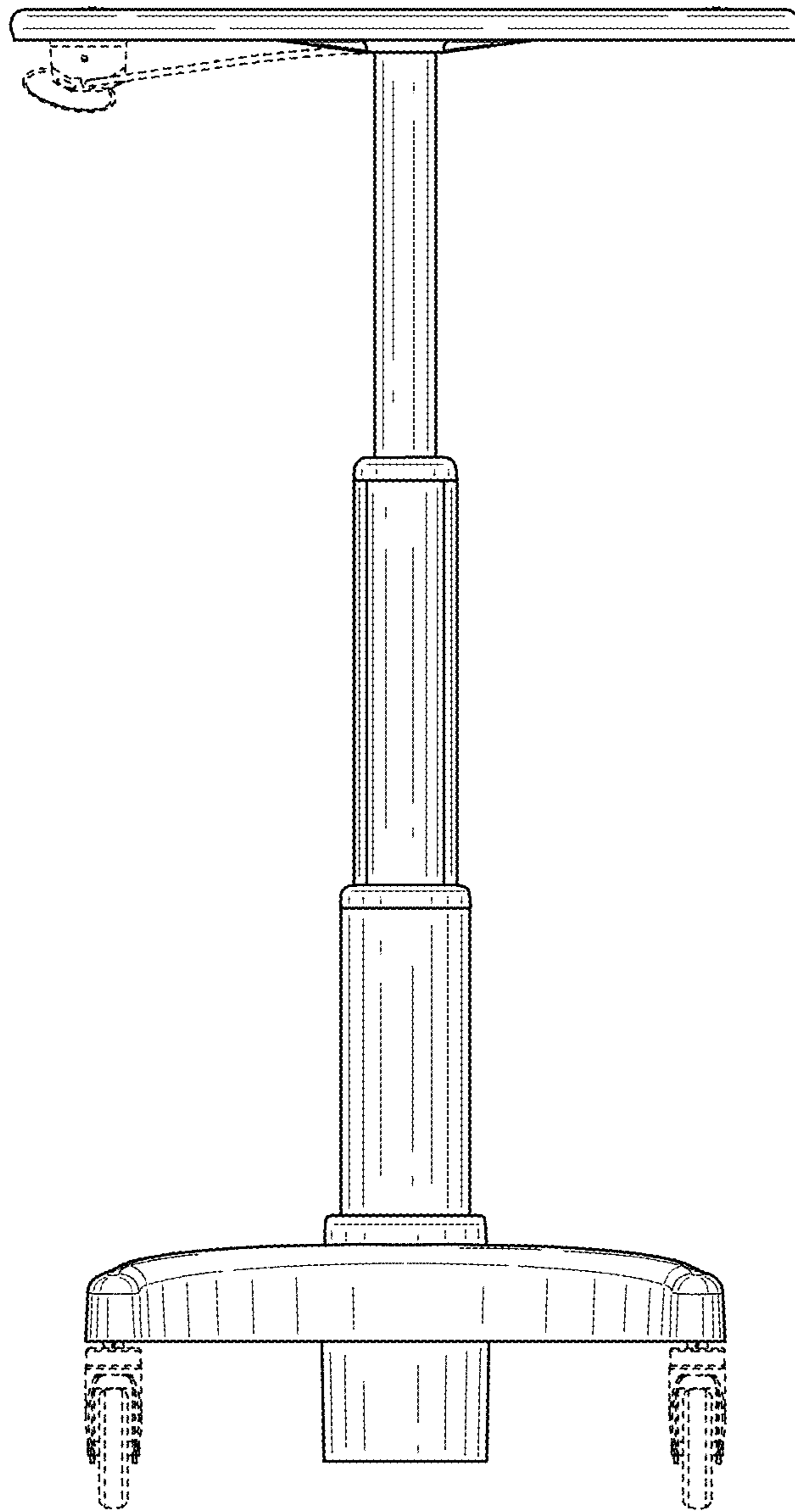


FIG. 3

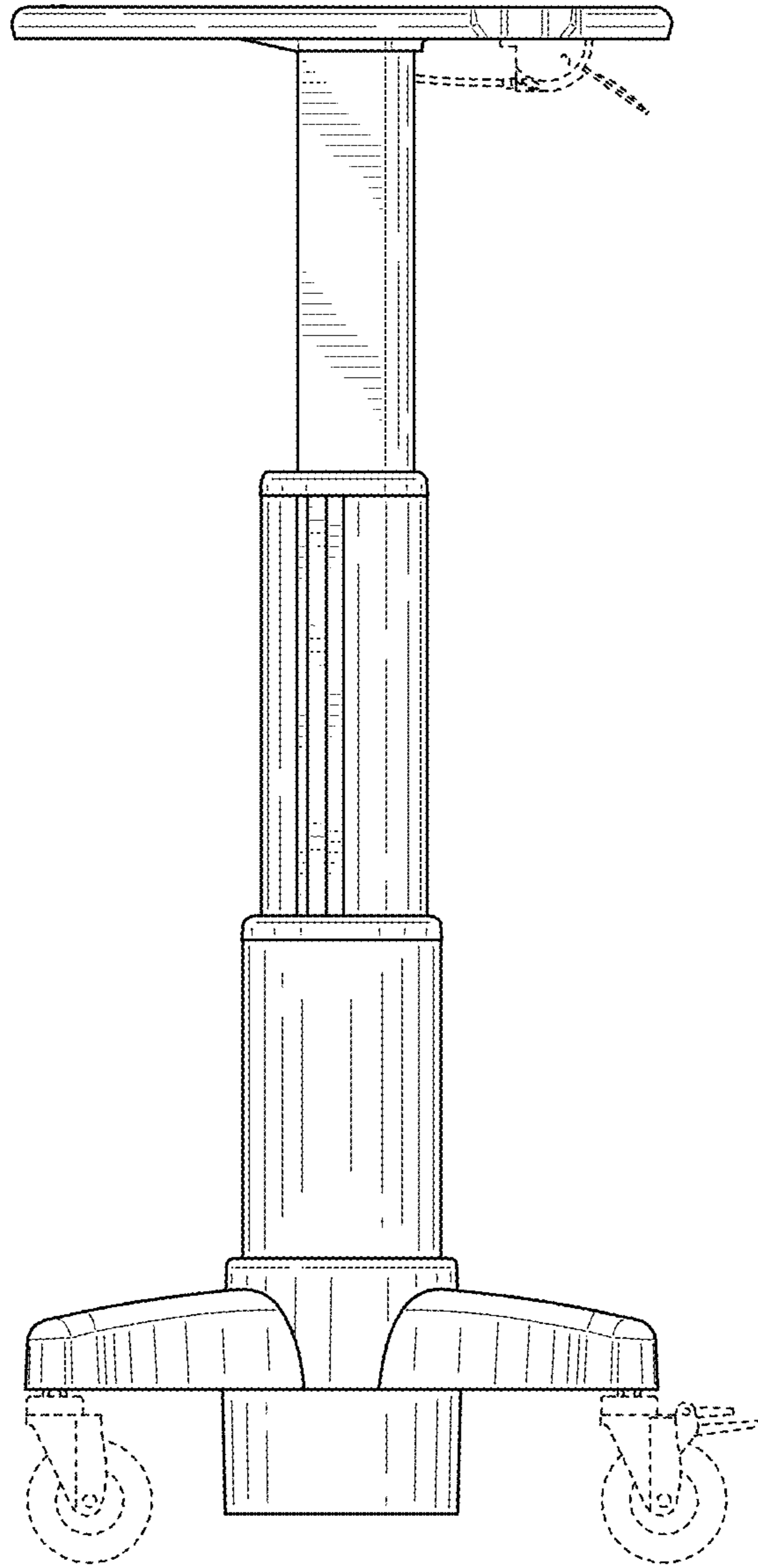


FIG. 4

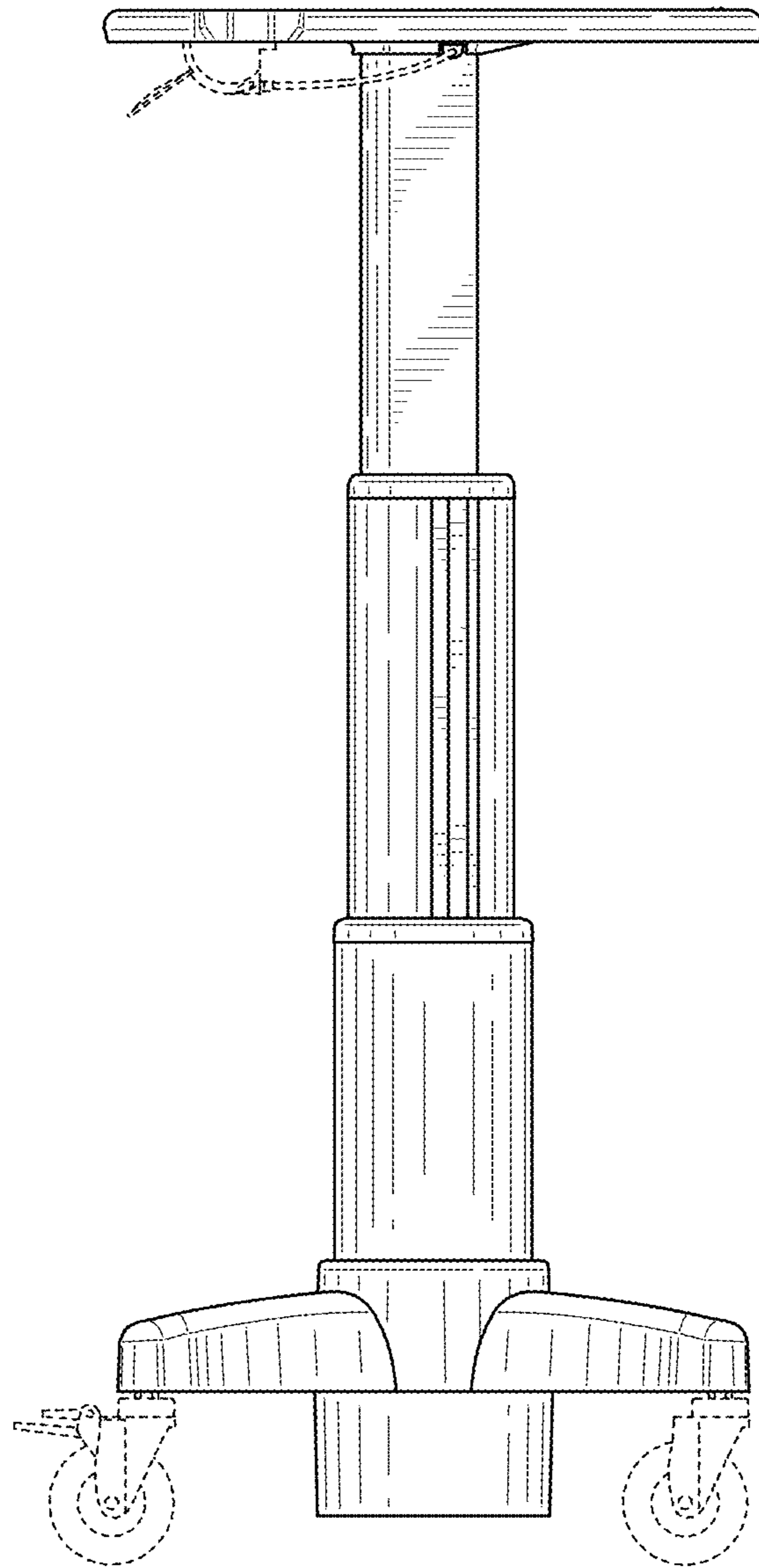


FIG. 5

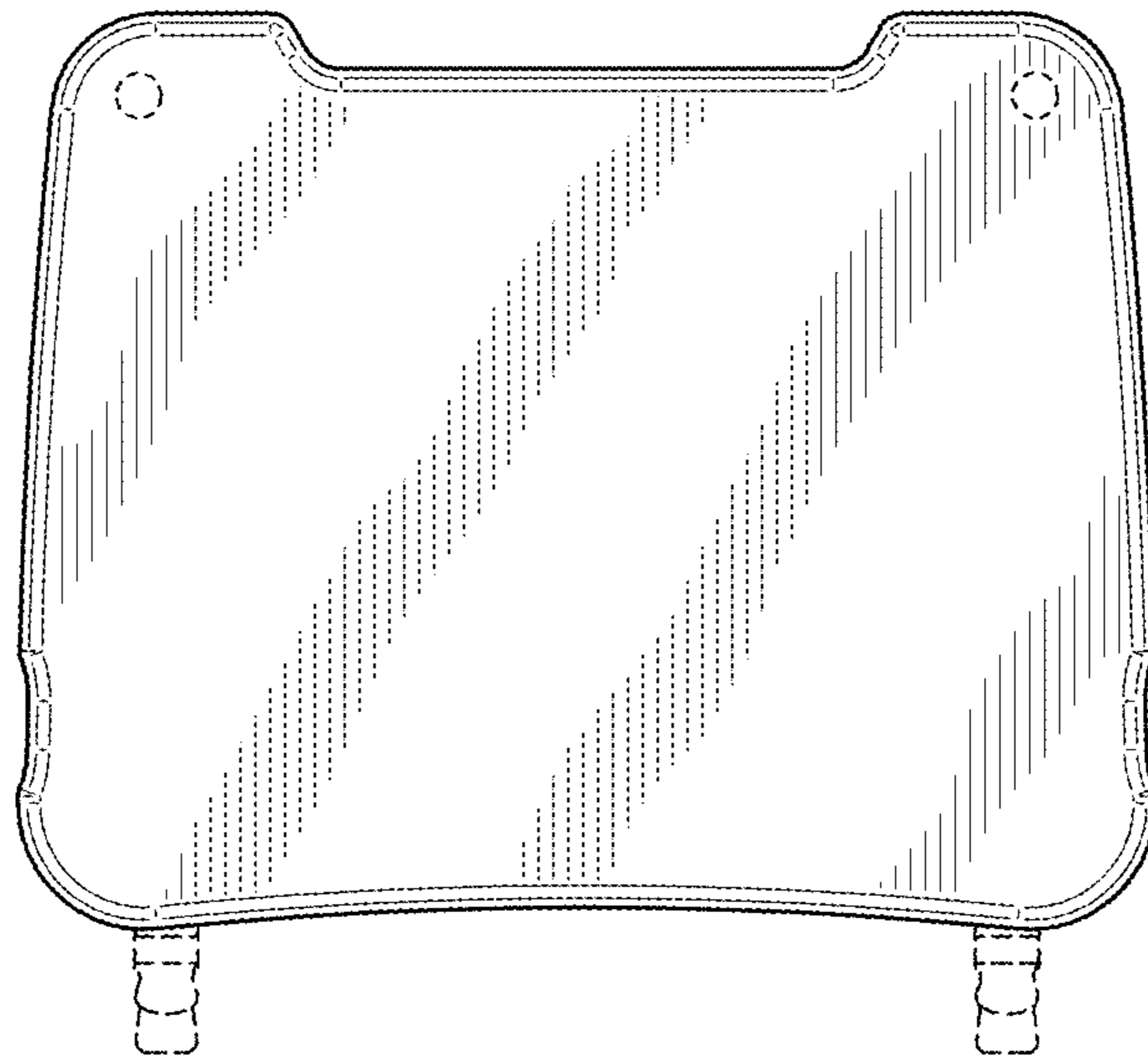


FIG. 6

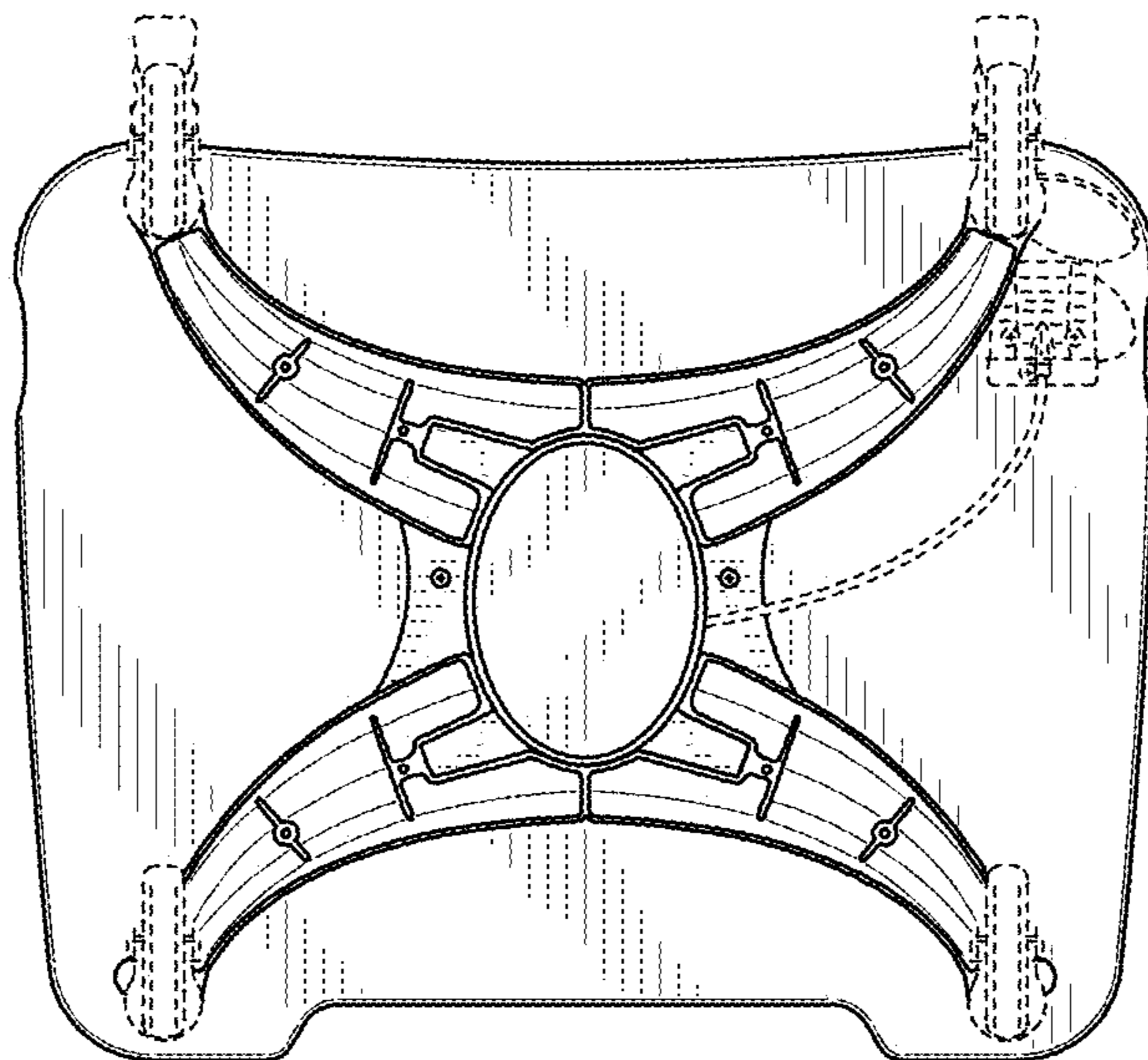


FIG. 7

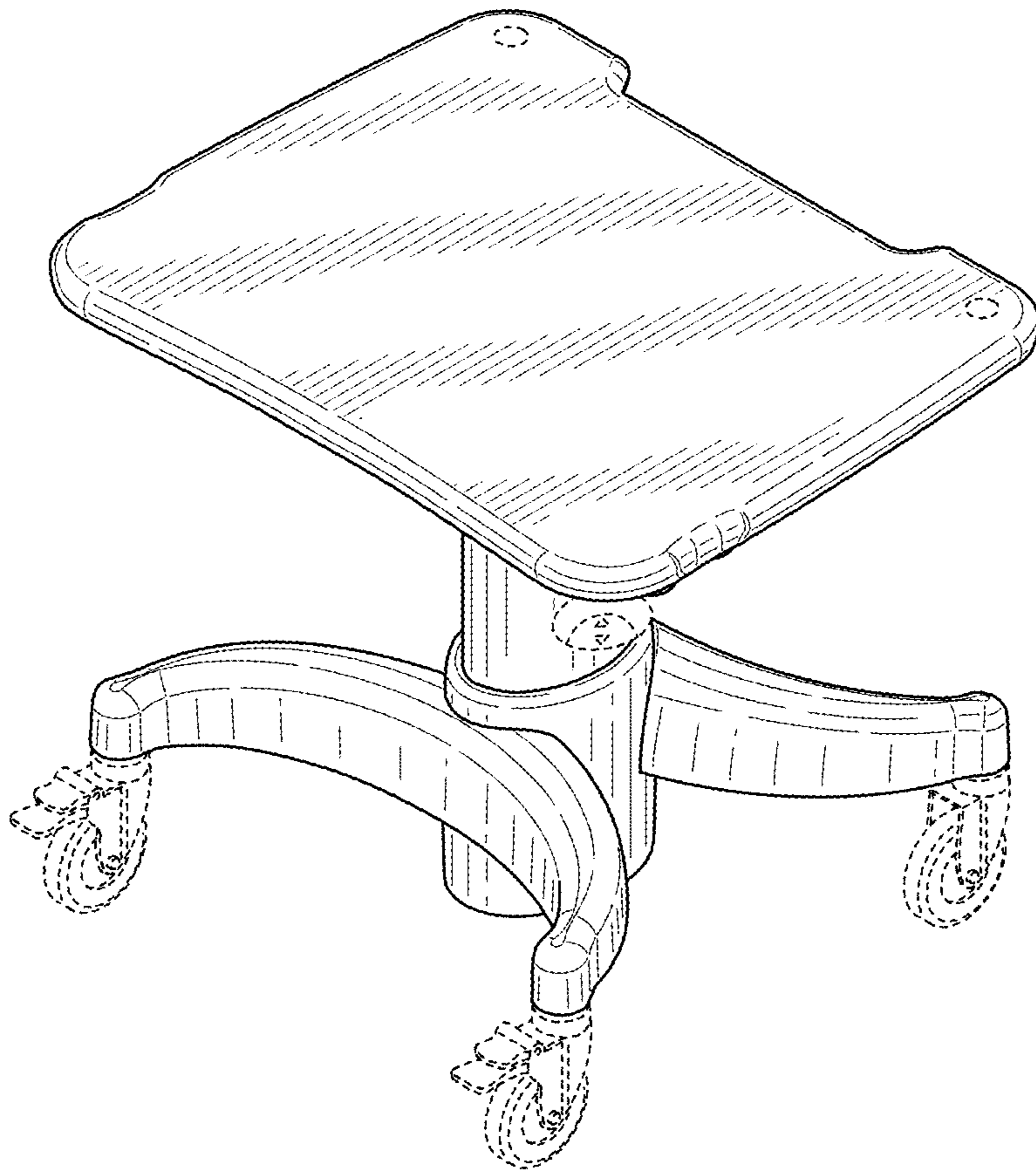


FIG. 8

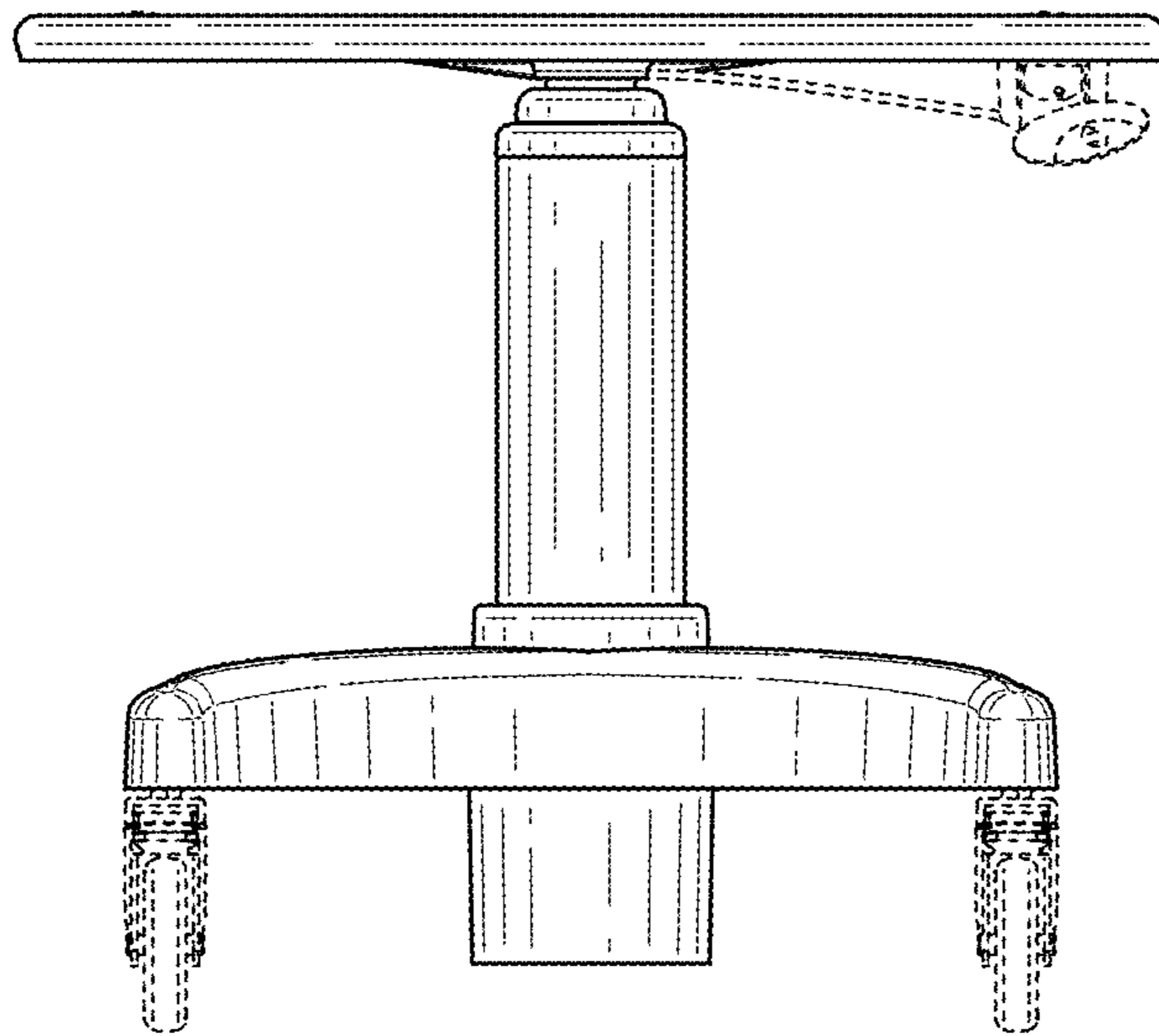


FIG. 9

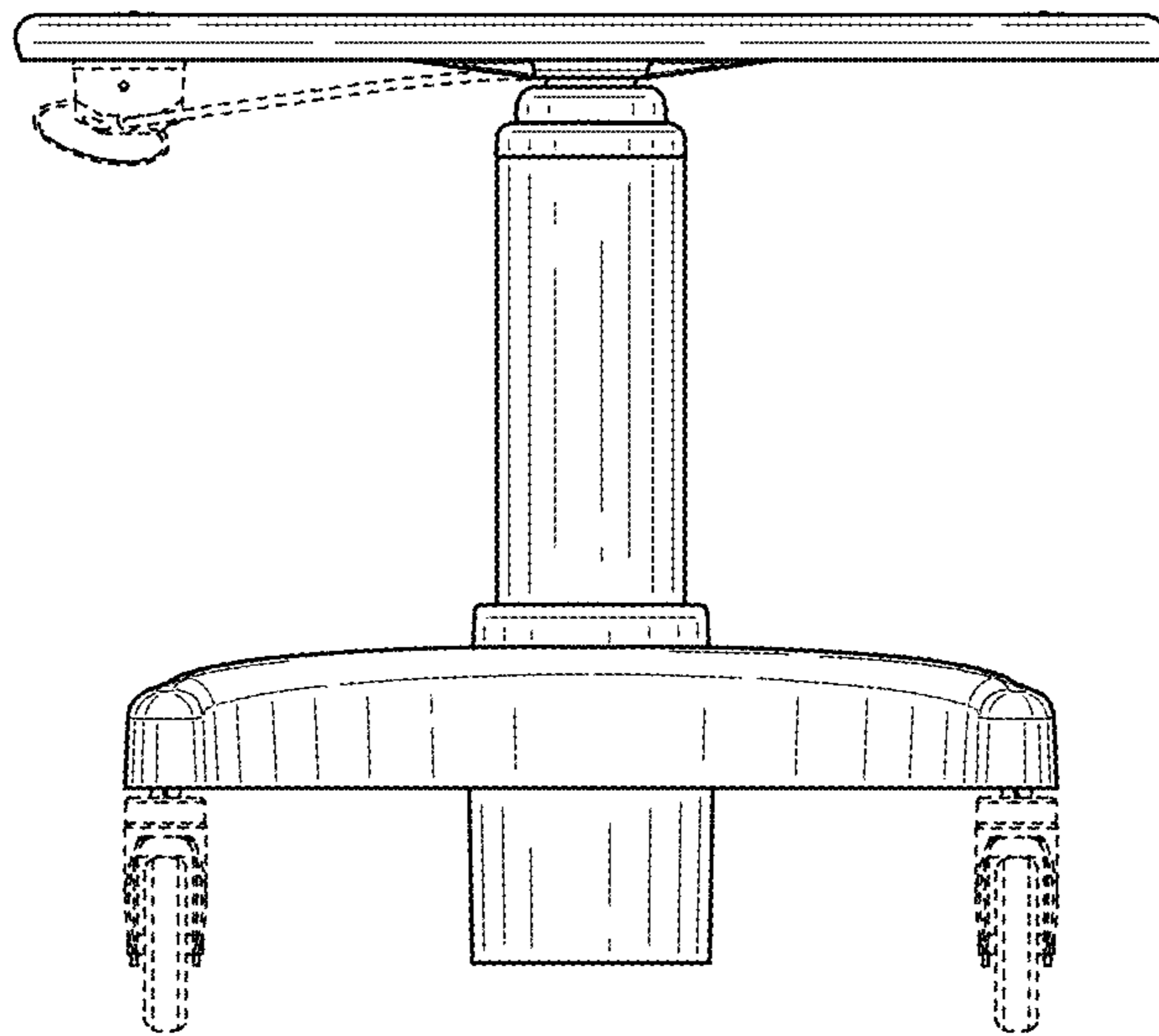


FIG. 10

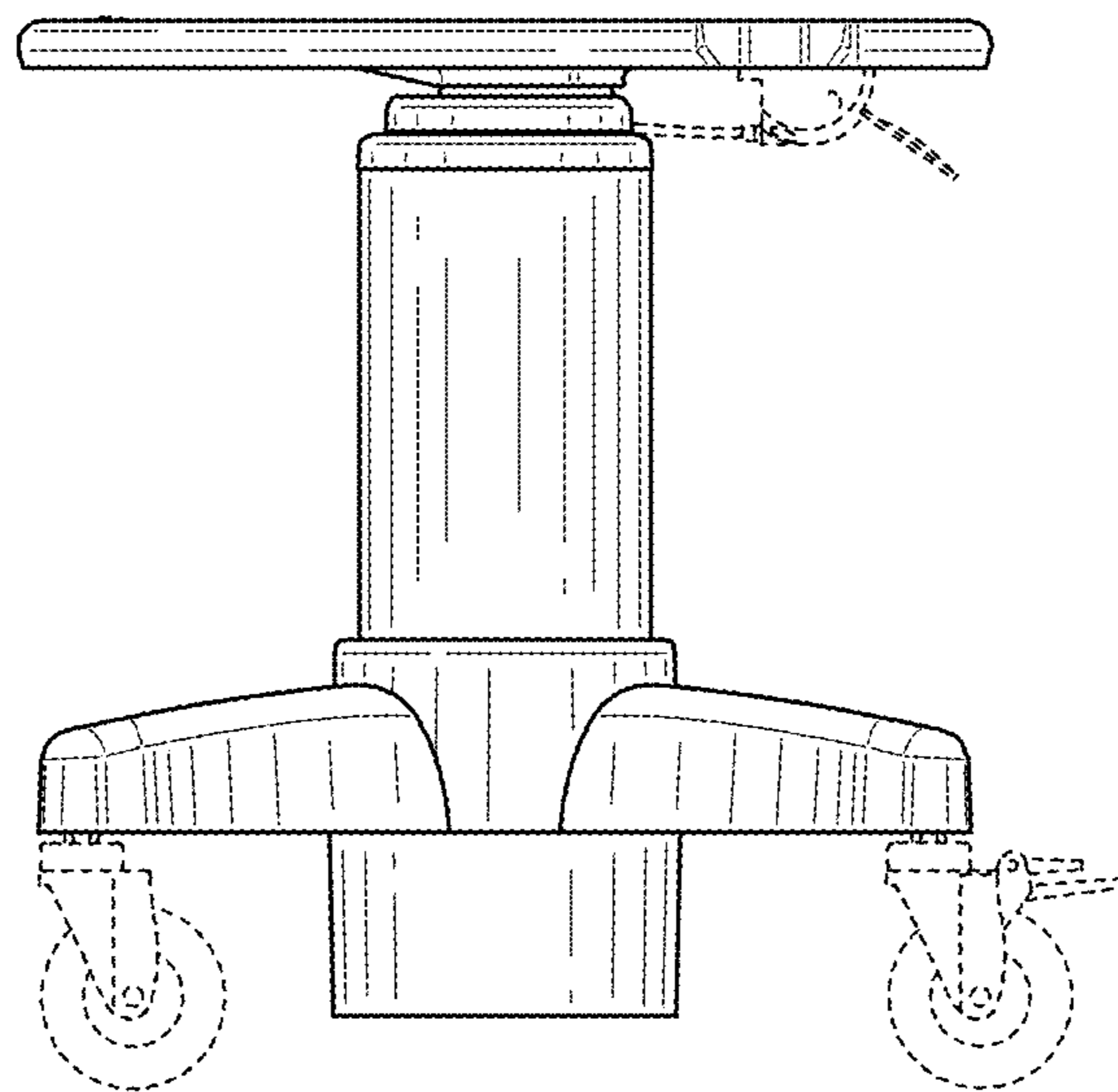


FIG. 11

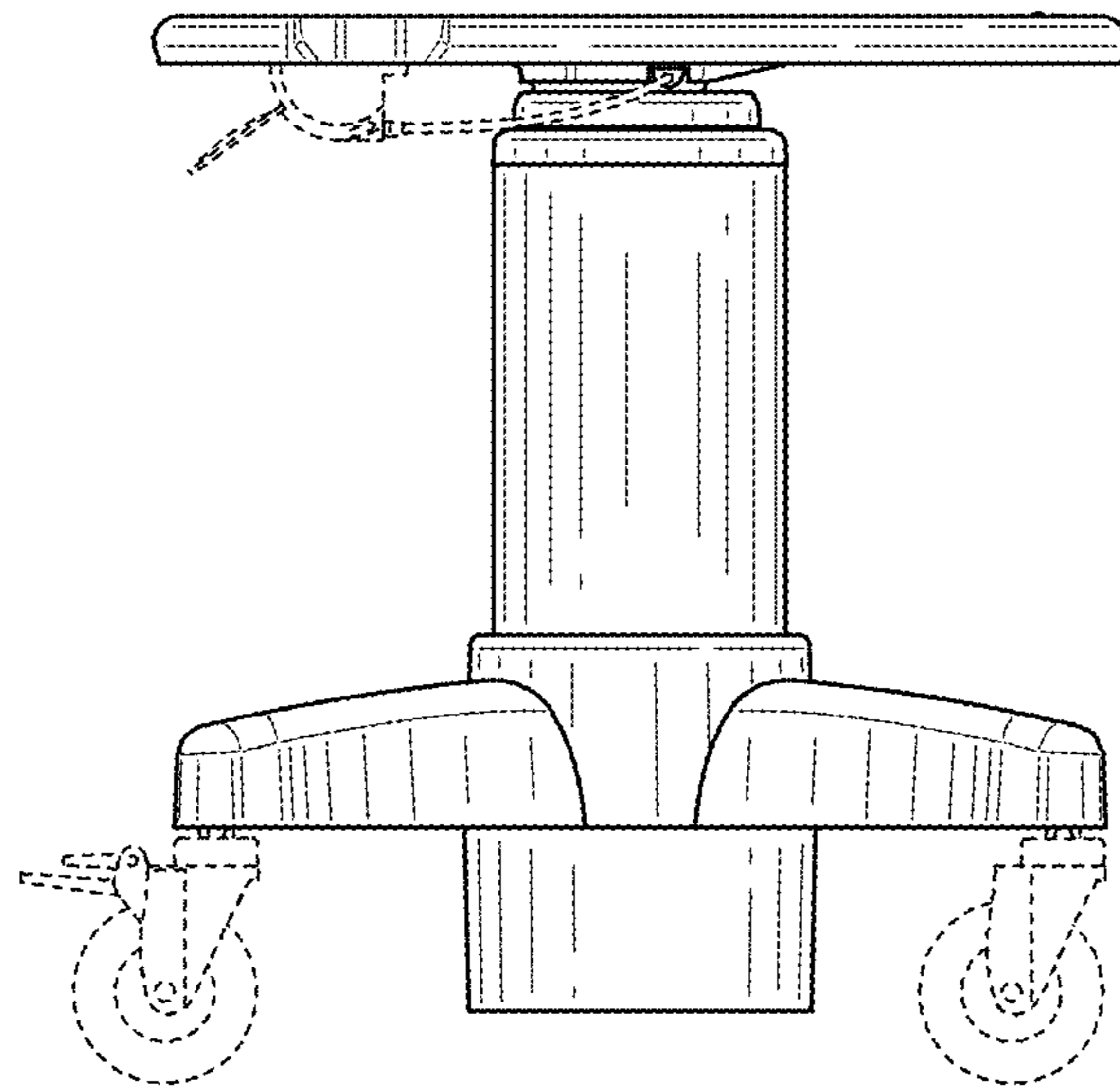


FIG. 12

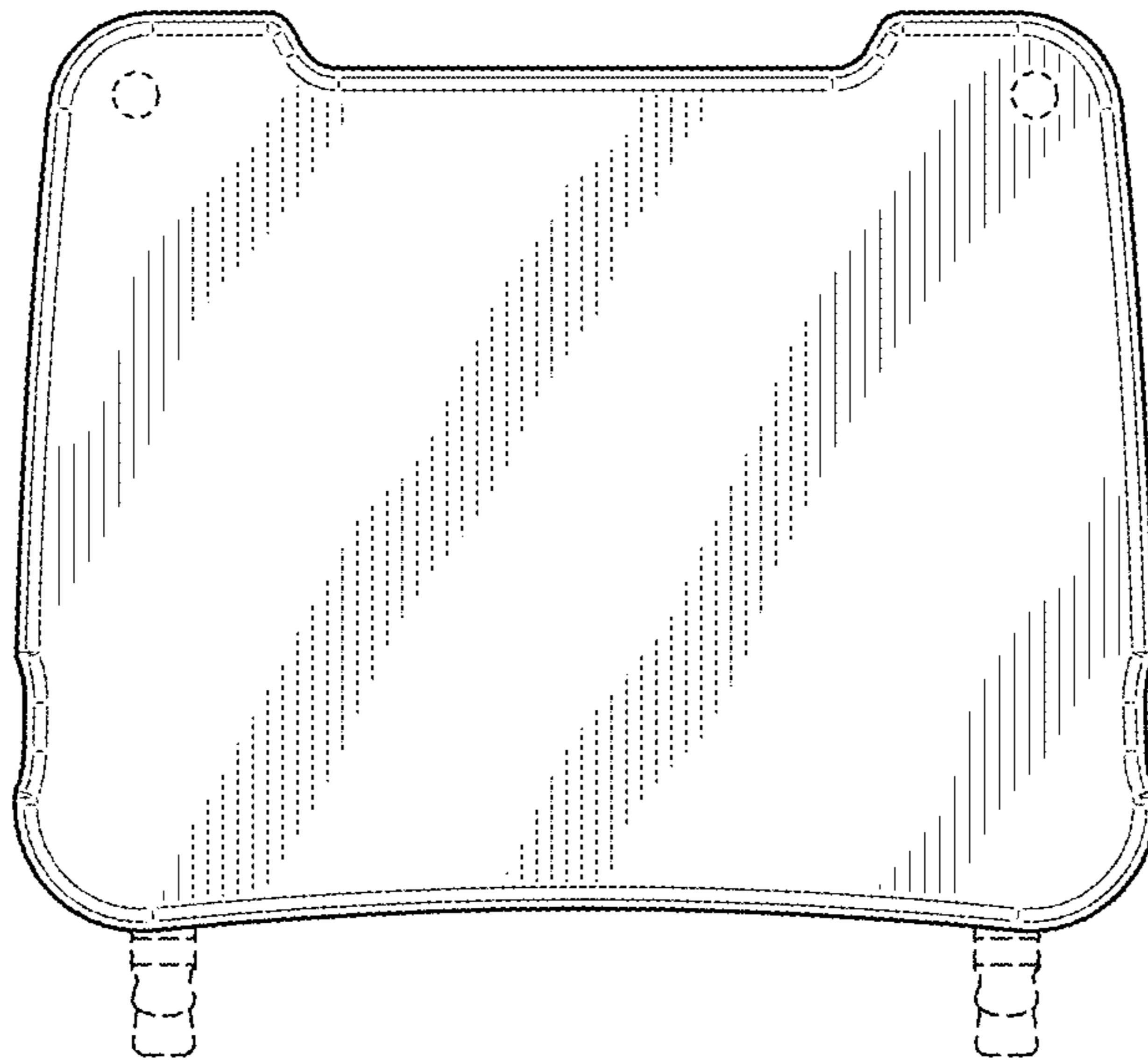


FIG. 13

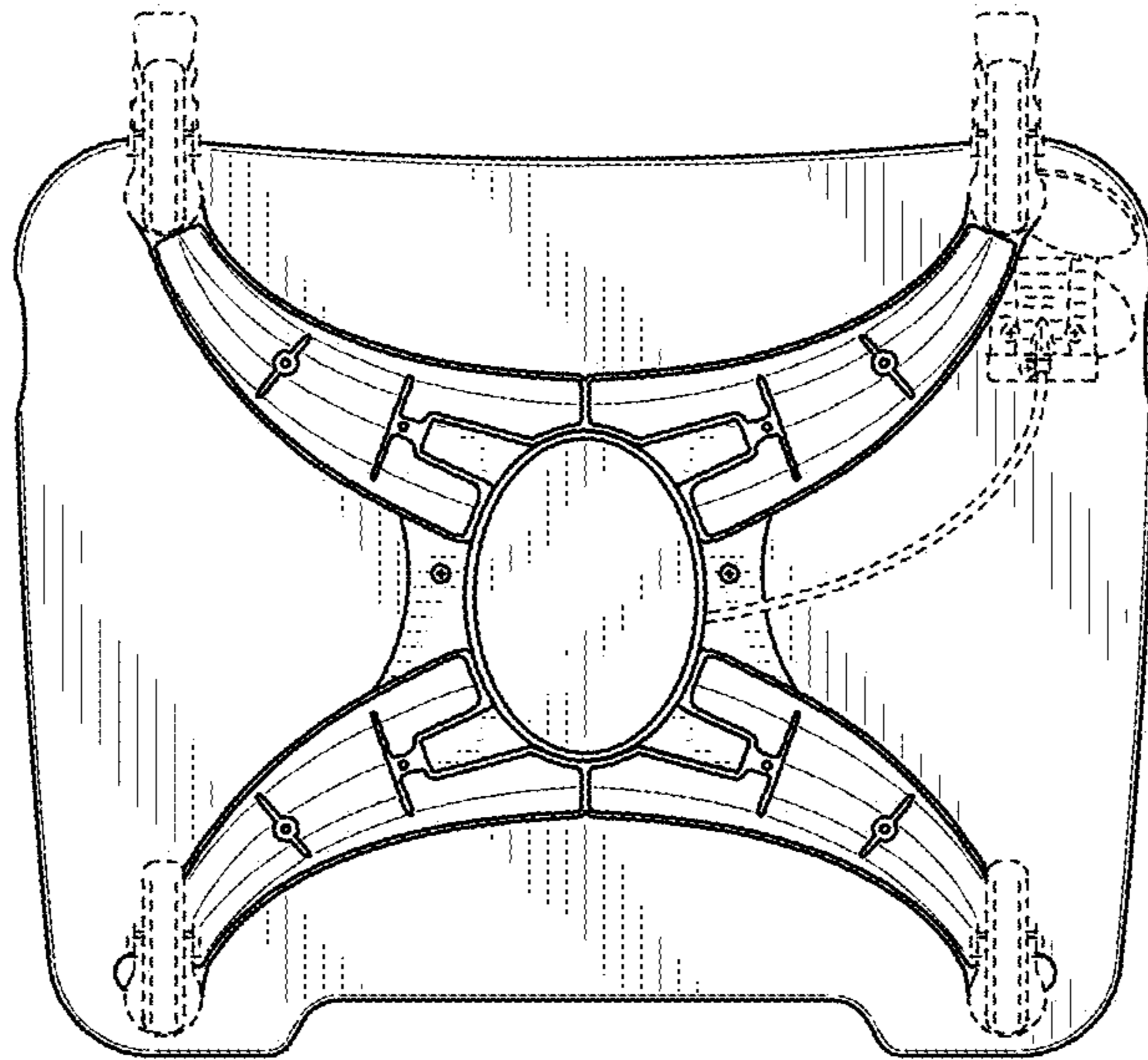


FIG. 14