

US00D894397S

(12) **United States Design Patent**
Mistrorigo de Almeida

(10) **Patent No.:** **US D894,397 S**

(45) **Date of Patent:** **** Aug. 25, 2020**

(54) **FINGER CLIP TYPE OXIMETER**

(71) Applicant: **Tácito Mistrorigo de Almeida**, São Paulo (BR)

(72) Inventor: **Tácito Mistrorigo de Almeida**, São Paulo (BR)

(**) Term: **15 Years**

(21) Appl. No.: **29/631,693**

(22) Filed: **Jan. 2, 2018**

(30) **Foreign Application Priority Data**

Jul. 7, 2017 (BR) 3020170028403

(51) **LOC (12) Cl.** **24-01**

(52) **U.S. Cl.**
USPC **D24/169; D24/186**

(58) **Field of Classification Search**
USPC D24/164–169, 186, 107, 216; D10/81
CPC G01N 33/66; G01N 33/49; G01N 33/493;
A61B 5/14532; A61B 5/14552; A61B
5/6625; A61B 5/6626
See application file for complete search history.

(56) **References Cited**

U.S. PATENT DOCUMENTS

D610,688 S * 2/2010 Donars D24/169
D615,655 S * 5/2010 Maser D24/169
D668,340 S * 10/2012 Wang D24/165
D691,726 S * 10/2013 Jin D24/167
D718,455 S * 11/2014 Maser D24/169

D767,145 S * 9/2016 Liu D24/169
D782,045 S * 3/2017 Chou D24/164
D830,557 S * 10/2018 Sebban D24/167
2015/0045638 A1* 2/2015 Liu A61B 5/6826
600/324
2015/0327809 A1* 11/2015 Tateda A61B 5/1172
600/324
2016/0270730 A1* 9/2016 Shigenaga A61B 5/6838
2018/0303342 A1* 10/2018 Khachaturian A61B 5/02427
2019/0046121 A1* 2/2019 Khachaturian A61B 5/6898

* cited by examiner

Primary Examiner — Anhdao Doan

(74) *Attorney, Agent, or Firm* — Christopher & Weisberg, P.A.

(57) **CLAIM**

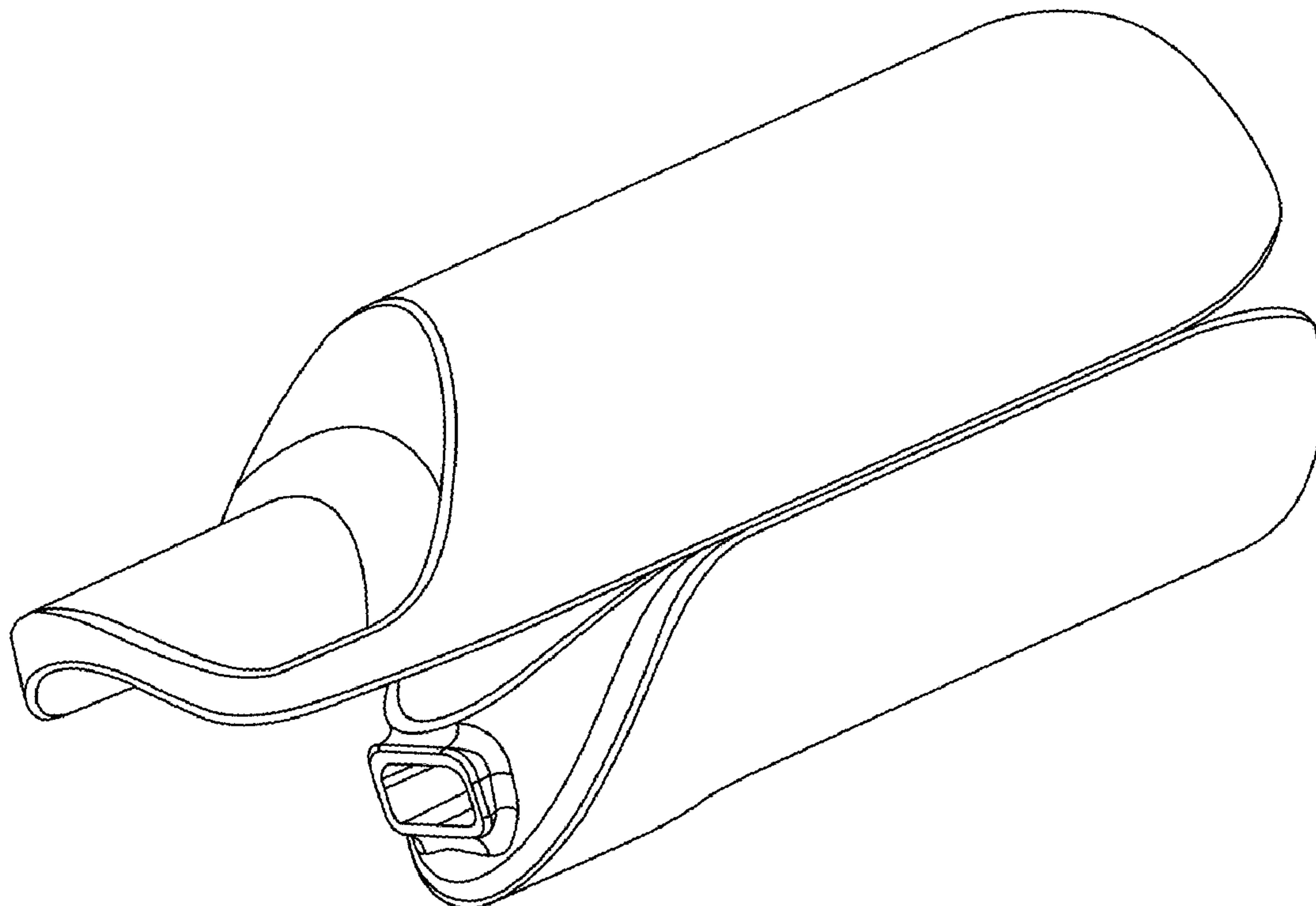
The ornamental design for a finger clip type oximeter, as shown and described.

DESCRIPTION

FIG. 1 is a left side view of a finger clip type oximeter; FIG. 2 is a right side view thereof; FIG. 3 is a rear view thereof; FIG. 4 is a front view thereof; FIG. 5 is a top view thereof; and, FIG. 6 is a perspective view thereof.

The broken lines depict portions of the finger clip type oximeter that form no part of the claimed design; the broken lines form no part of the claimed design.

1 Claim, 2 Drawing Sheets



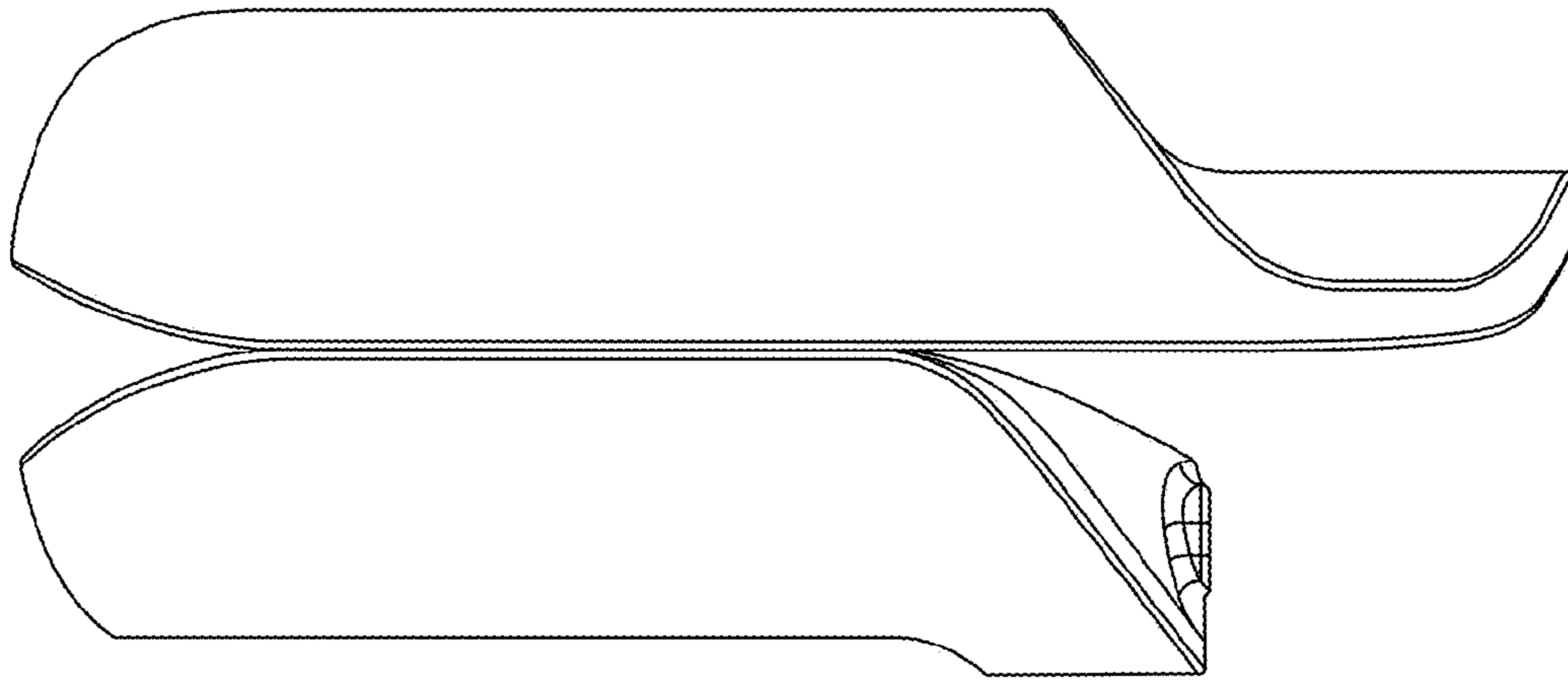


FIG. 1

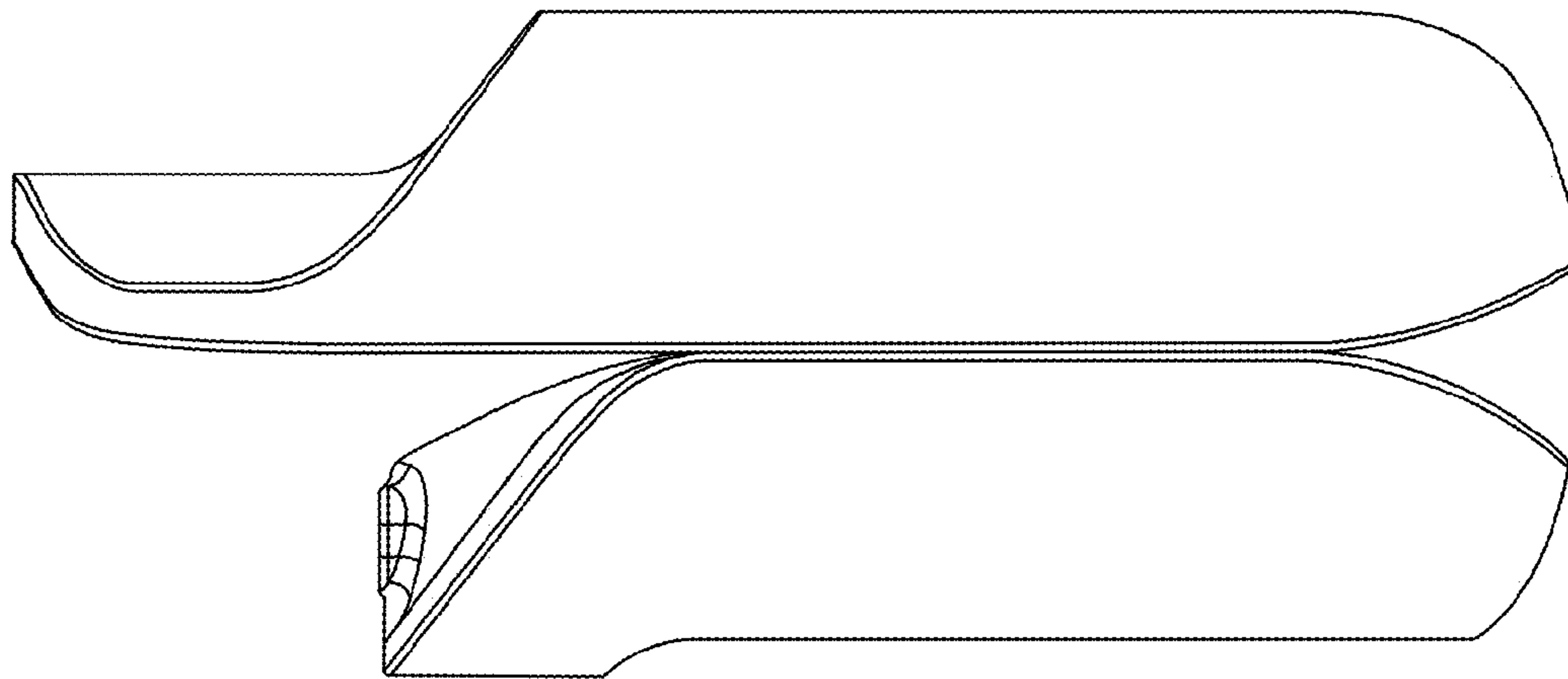


FIG. 2

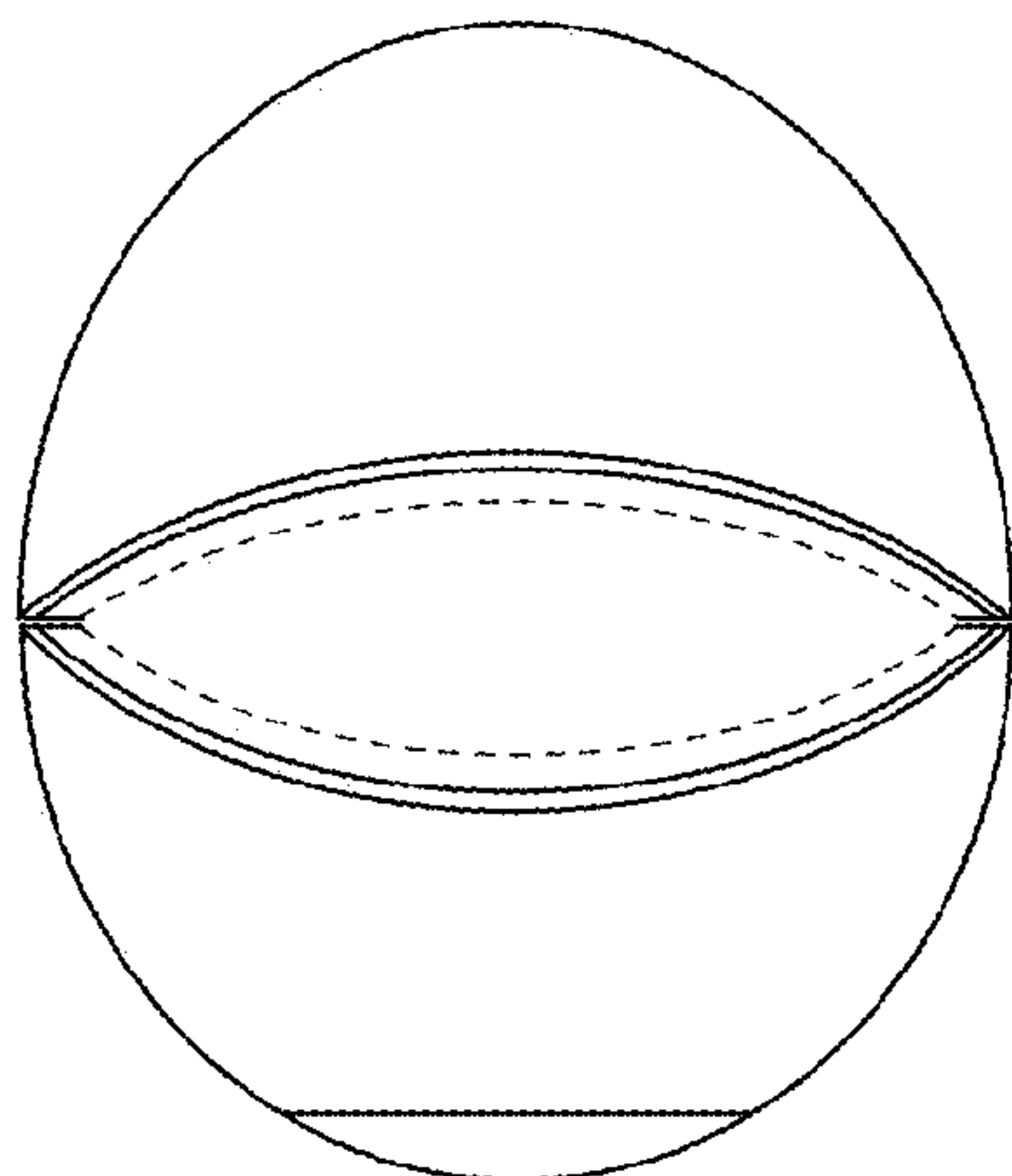


FIG. 3

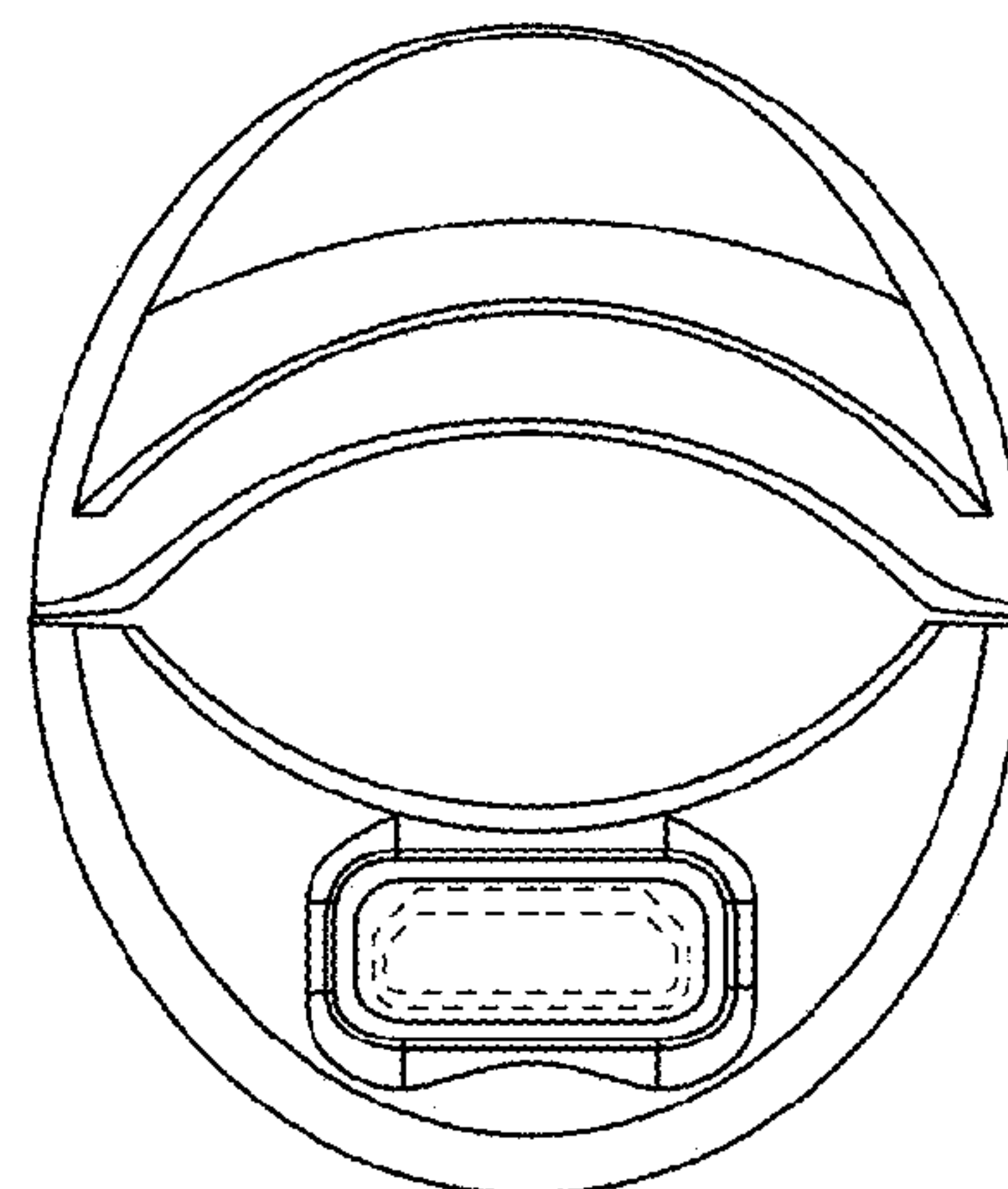


FIG. 4

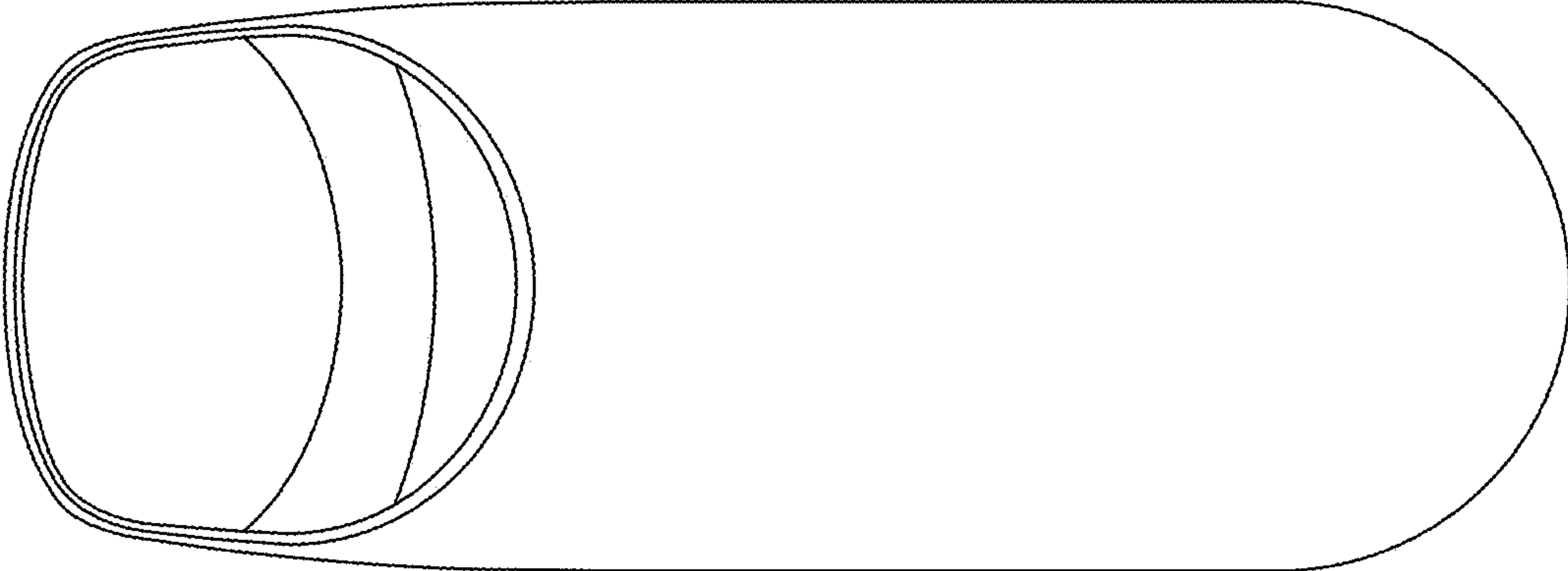


FIG. 5

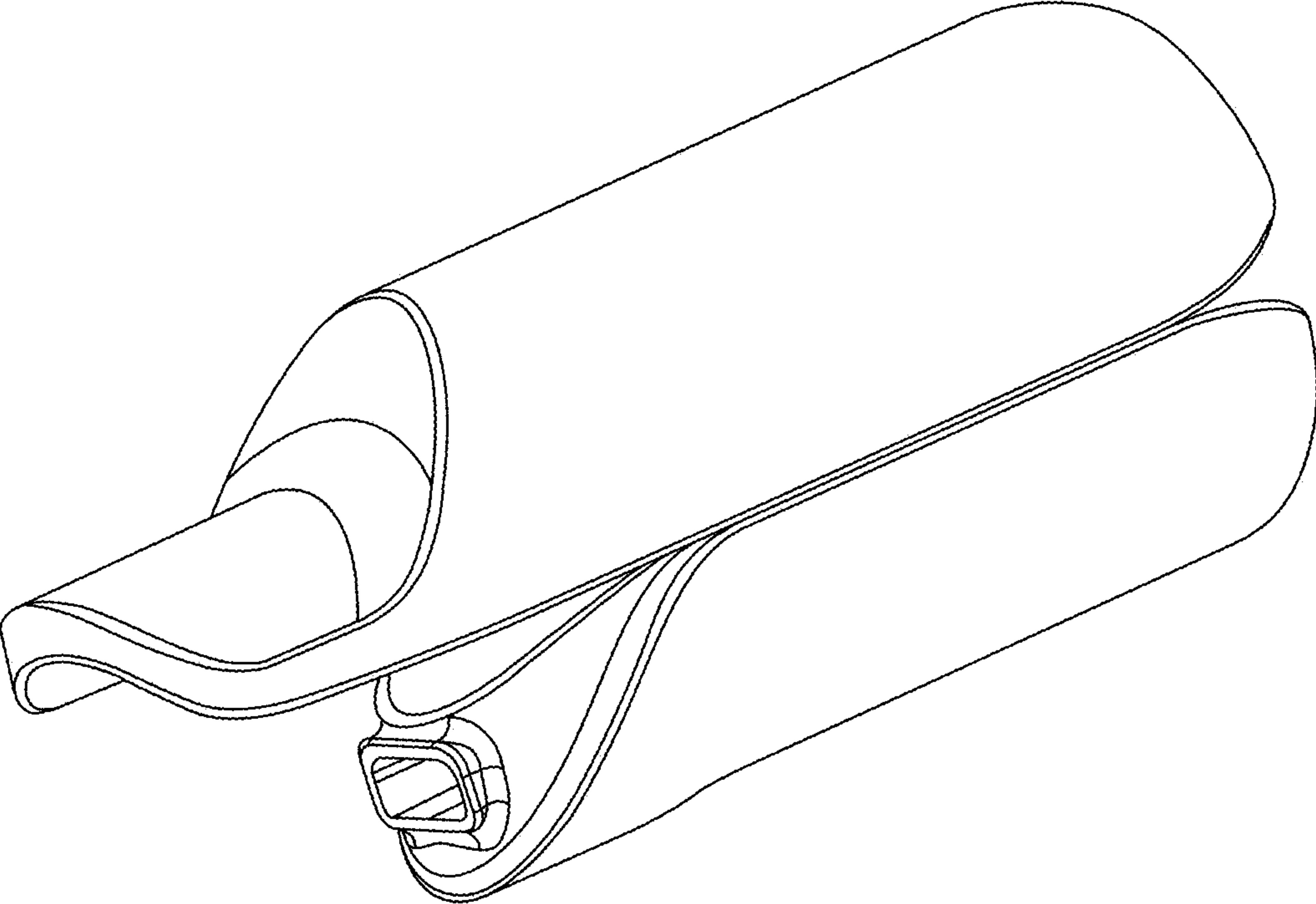


FIG. 6