



US00D894394S

(12) **United States Design Patent** (10) **Patent No.:** **US D894,394 S**
Huang (45) **Date of Patent:** **** Aug. 25, 2020**

(54) **BREATHING FILTER**
(71) Applicant: **SHENZHEN AIDIANSHENG TECHNOLOGY CO., LTD.**, Shenzhen (CN)
(72) Inventor: **Yunlong Huang**, Yongzhou (CN)
(73) Assignee: **SHENZHEN AIDIANSHENG TECHNOLOGY CO., LTD.**, Shenzhen (CN)
(**) Term: **15 Years**
(21) Appl. No.: **29/734,467**
(22) Filed: **May 12, 2020**
(51) **LOC (12) Cl.** **24-02**
(52) **U.S. Cl.**
USPC **D24/162; D24/110.1**
(58) **Field of Classification Search**
USPC D24/110.1, 110.5, 110.4, 162
CPC A41D 13/11; A41D 13/1146; A61B 5/087;
A61B 5/0836; A62B 18/08; A62B 23/025; A62B 23/02; A62B 18/025; A61C 17/04
See application file for complete search history.

4,945,918 A * 8/1990 Abernathy A61B 5/0836
128/202.13
5,127,411 A * 7/1992 Schoolman A61C 17/04
128/863
5,558,089 A * 9/1996 Castiglione A41D 13/1146
128/206.24
D390,652 S * 2/1998 Parker D24/110.1
D396,283 S * 7/1998 Scholey D24/110.5
D420,769 S * 2/2000 White D24/110.1
6,571,797 B1 6/2003 Magidson
6,718,982 B2 * 4/2004 Smith A61B 5/087
128/206.21
D518,571 S * 4/2006 Martin D24/110.1
D645,956 S * 9/2011 Grimsley D24/110.1
D824,020 S * 7/2018 Bornholdt D24/110.4
D855,174 S * 7/2019 Fofack D24/110.1
D881,381 S * 4/2020 Lee D24/110.4
D885,559 S * 5/2020 Gabriel D24/110.1
2003/0154984 A1 * 8/2003 Fernandes A62B 23/025
D24/110.1
2011/0270085 A1 11/2011 King et al.

* cited by examiner

Primary Examiner — Rhea Shields

(57) **CLAIM**

The ornamental design for a breathing filter, as shown and described.

DESCRIPTION

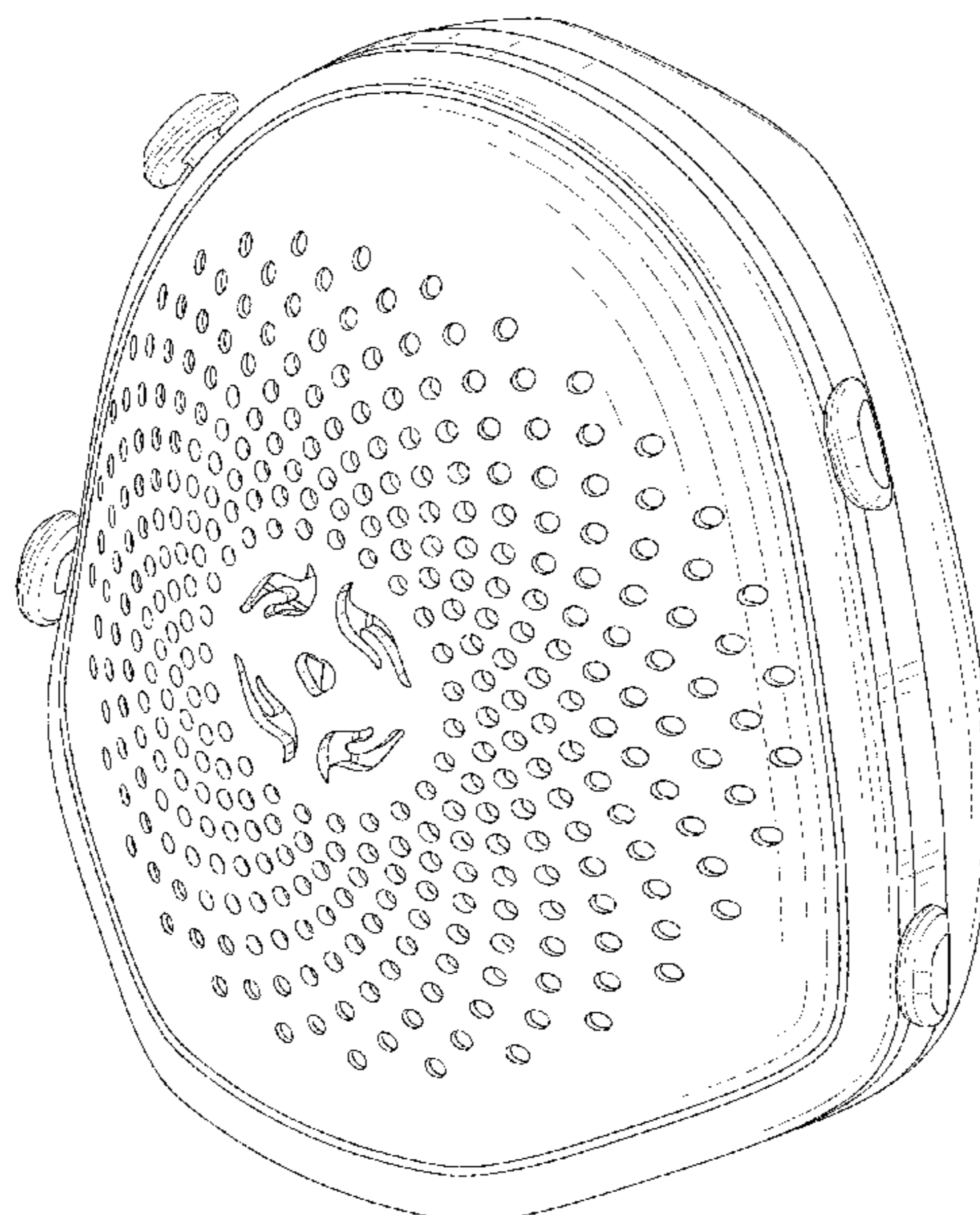
FIG. 1 is a perspective view of a breathing filter showing my new design;
FIG. 2 is another perspective view thereof;
FIG. 3 is a front elevational view thereof;
FIG. 4 is a rear elevational view thereof;
FIG. 5 is a left side elevational view thereof;
FIG. 6 is a right side elevational view thereof;
FIG. 7 is a top plan view thereof; and,
FIG. 8 is a bottom plan view thereof.
The broken lines in the drawings depict portions of the breathing filter that form no part of the claimed design.

1 Claim, 8 Drawing Sheets

(56) **References Cited**

U.S. PATENT DOCUMENTS

2,166,164 A * 7/1939 Lehmborg A62B 18/025
128/206.24
3,315,674 A * 4/1967 Bloom A62B 18/08
128/201.19
D271,246 S * 11/1983 Matheson D24/110.1
D286,213 S * 10/1986 Maryyanek D24/110.1
4,643,182 A * 2/1987 Klein A41D 13/11
128/201.25
4,827,924 A * 5/1989 Japuntich A62B 23/02
128/206.12



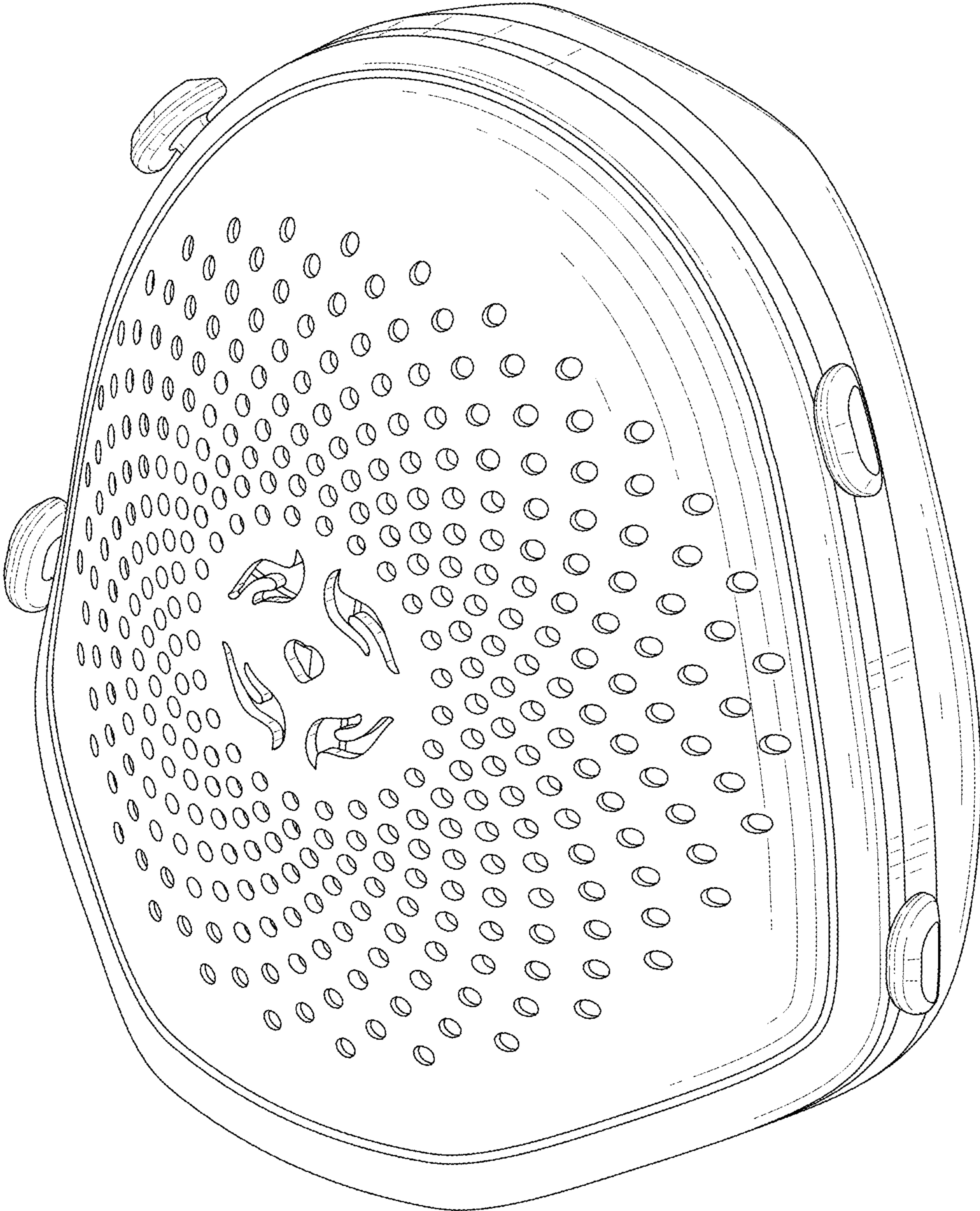


FIG. 1

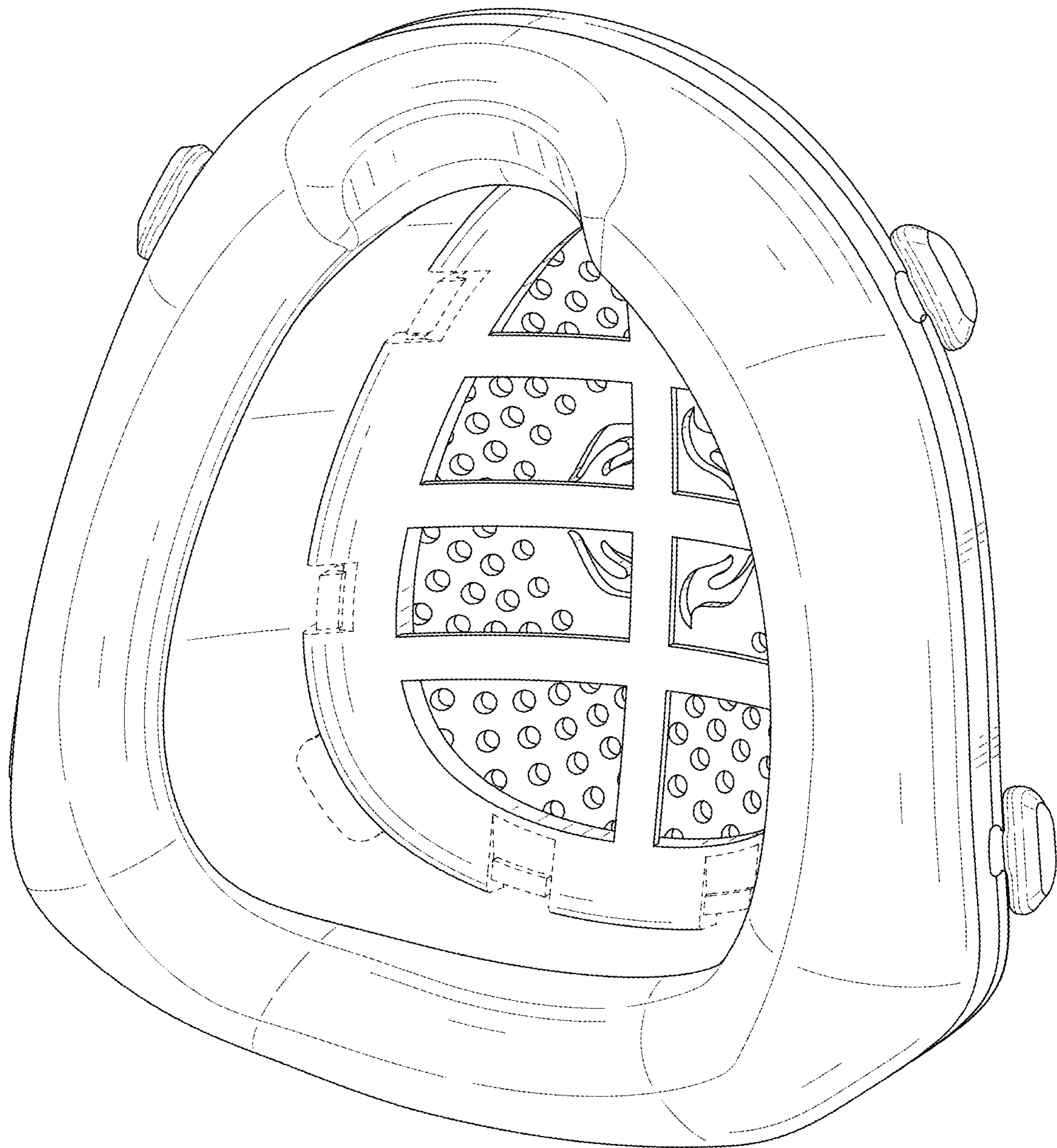


FIG. 2

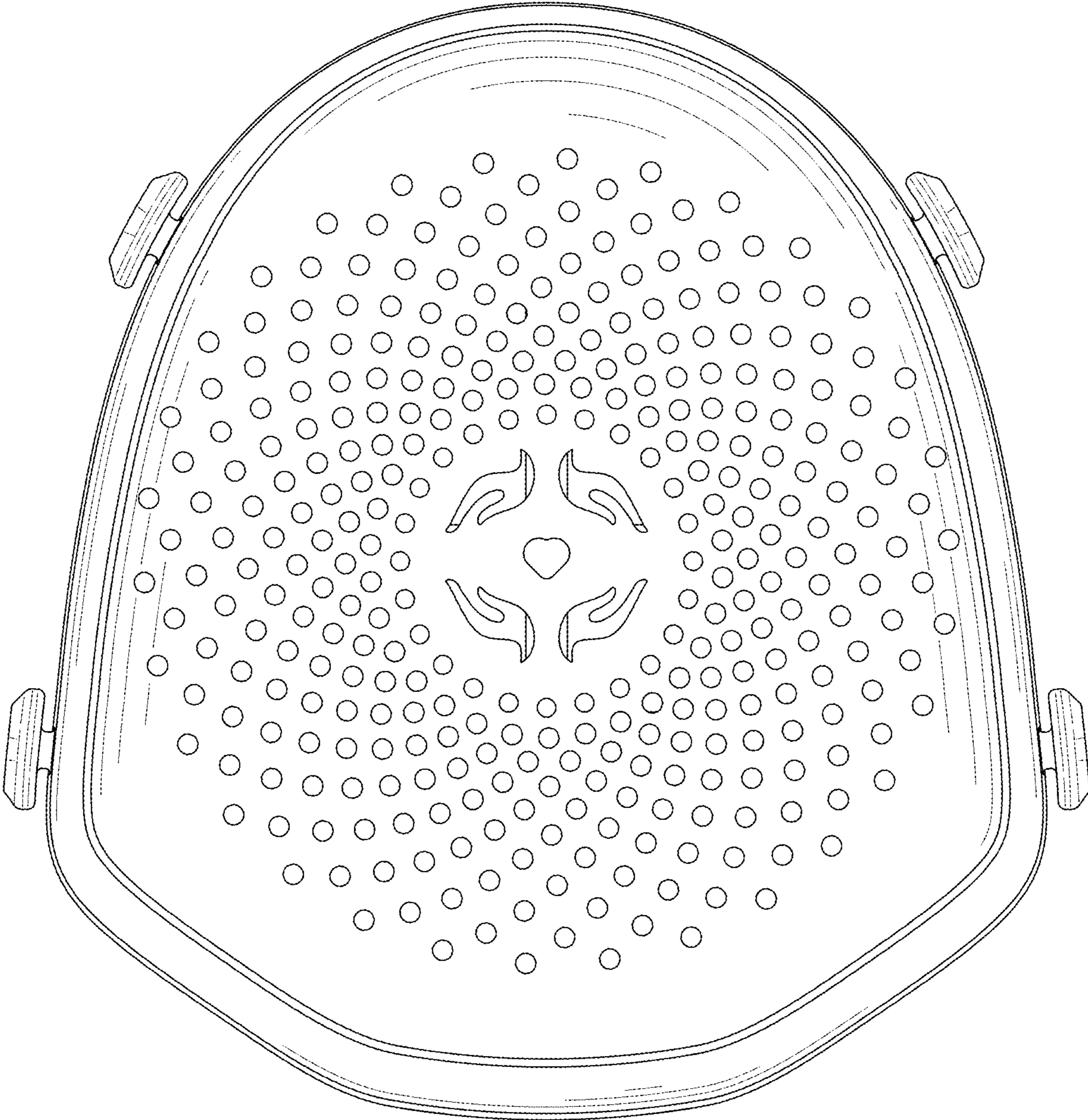


FIG. 3

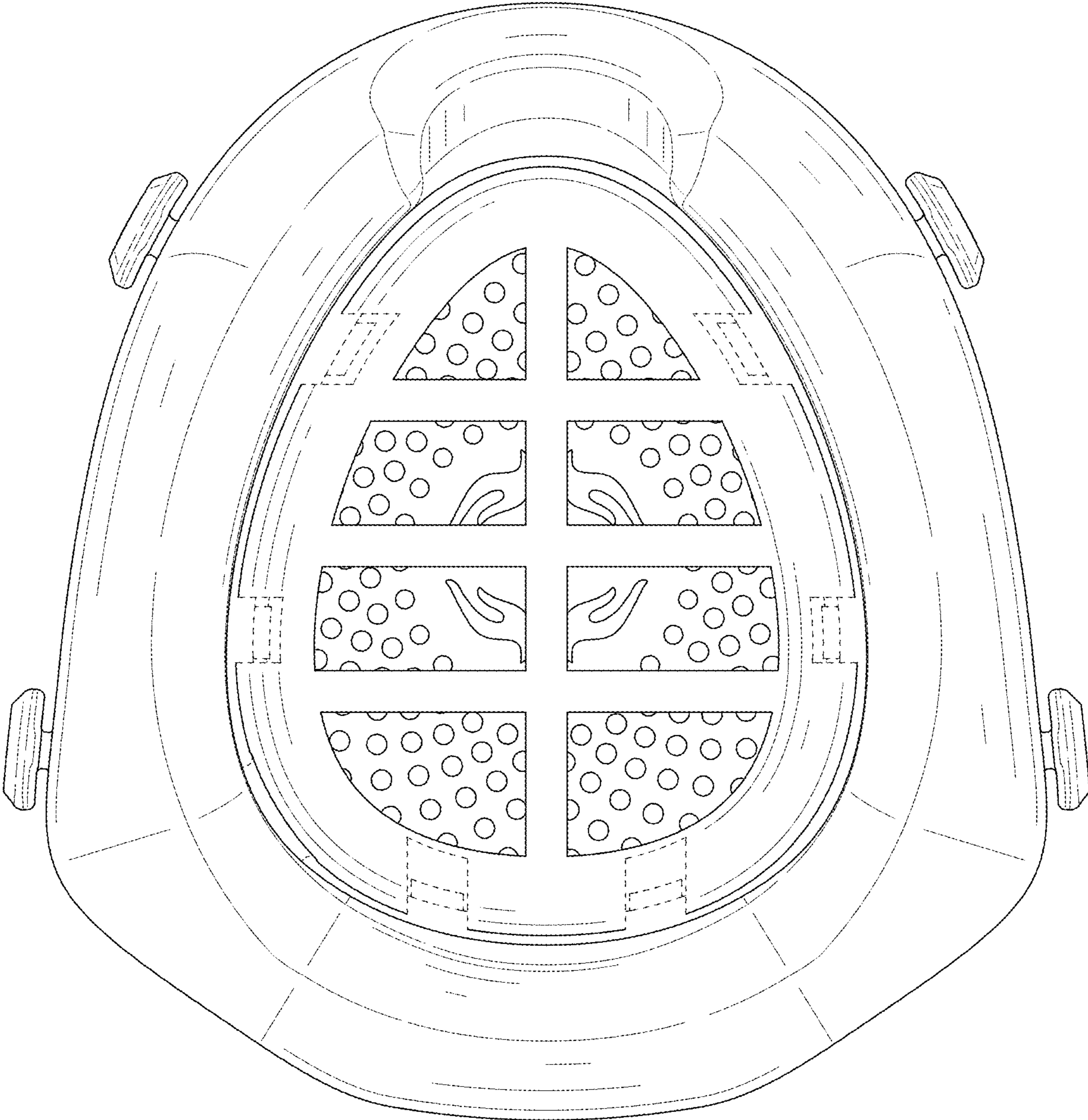


FIG. 4

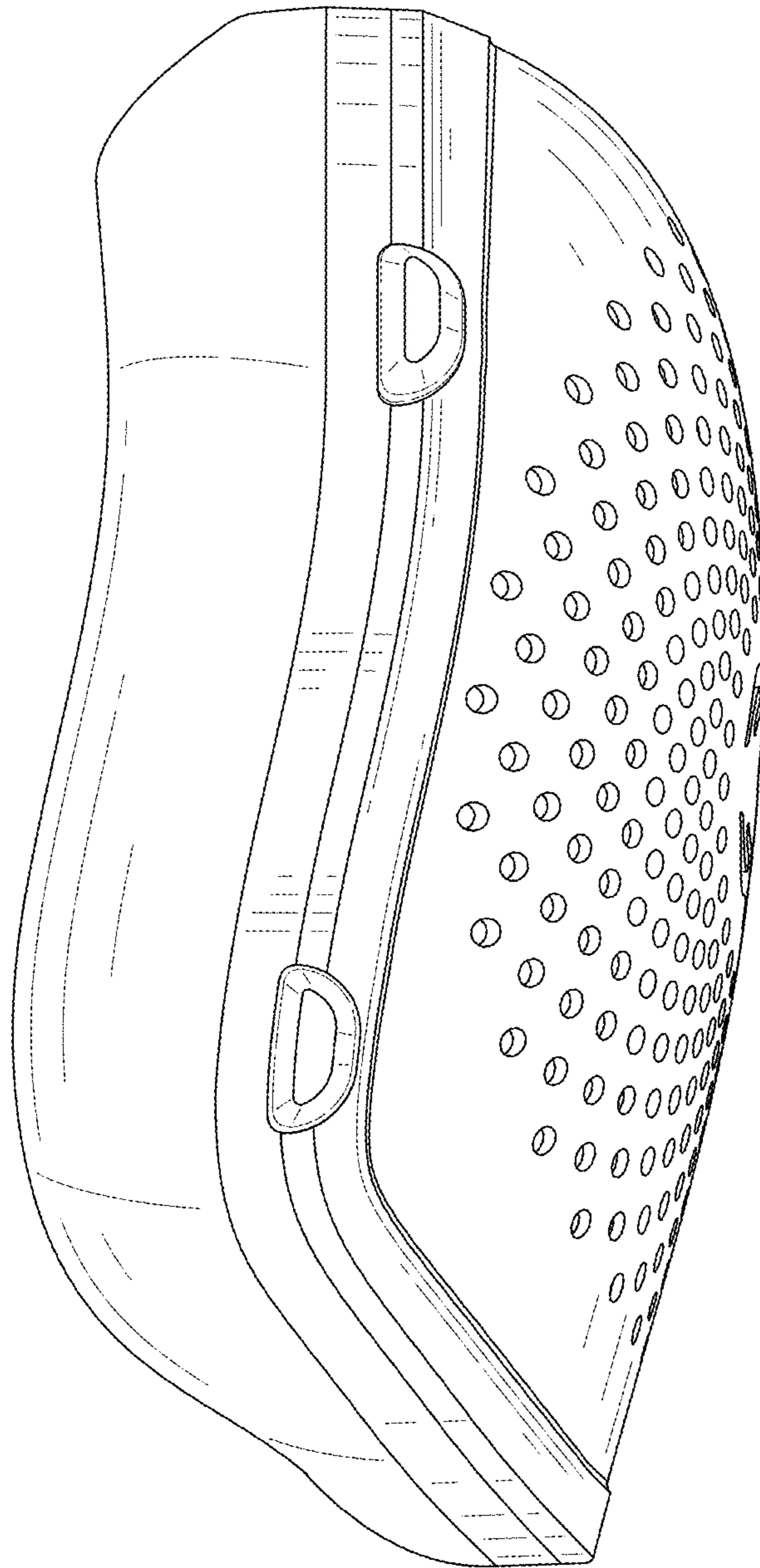


FIG. 5

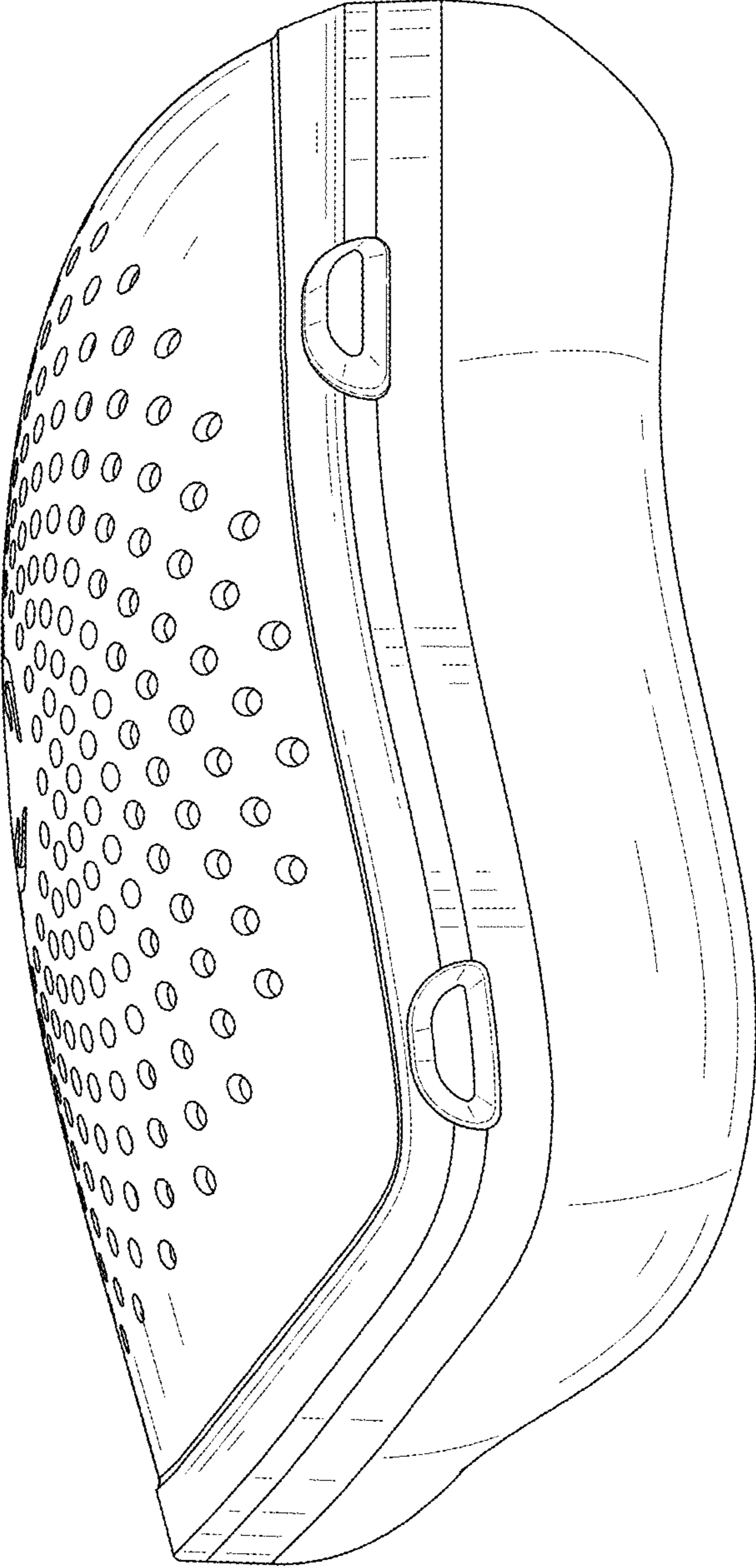


FIG. 6

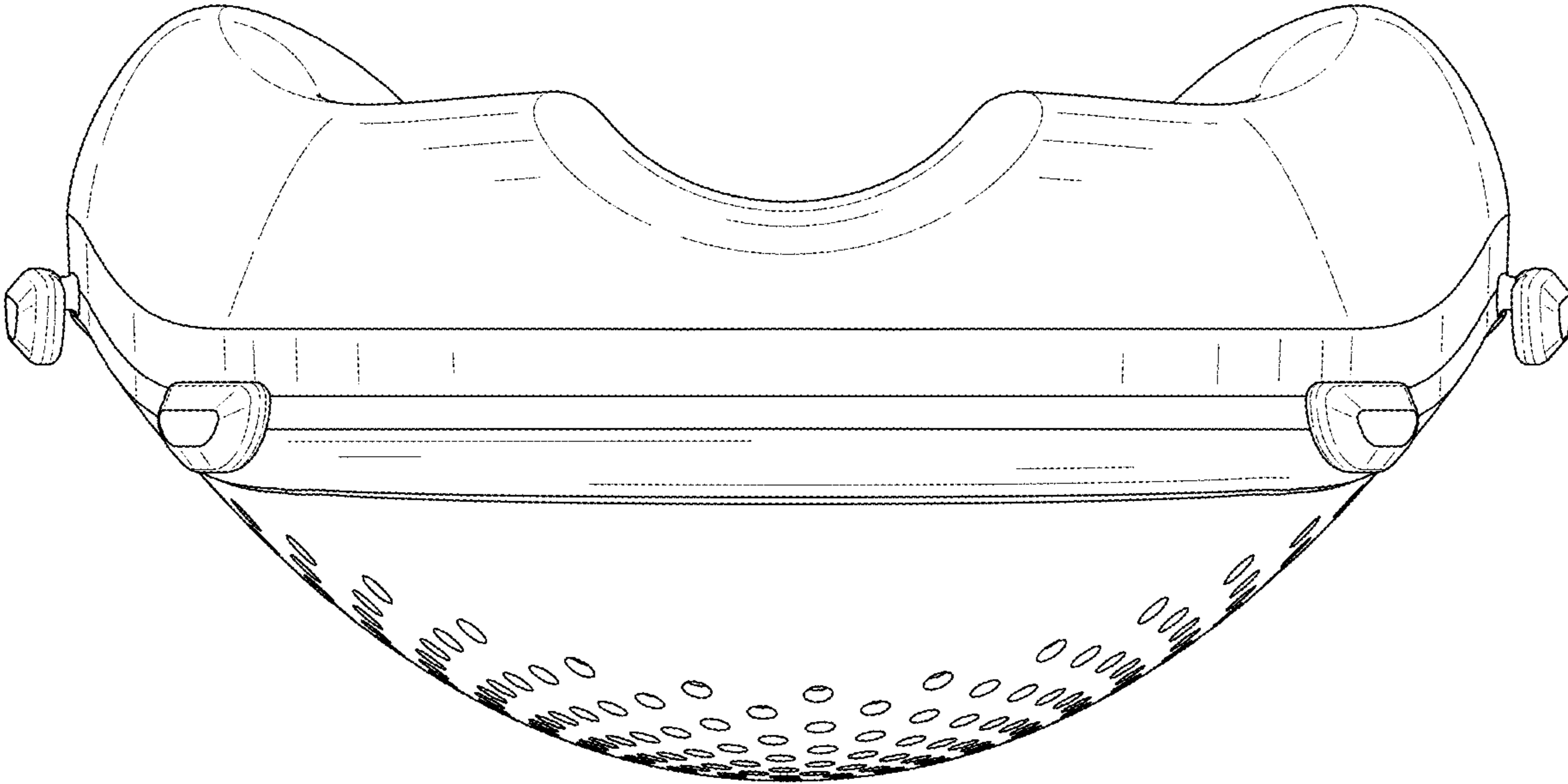


FIG. 7

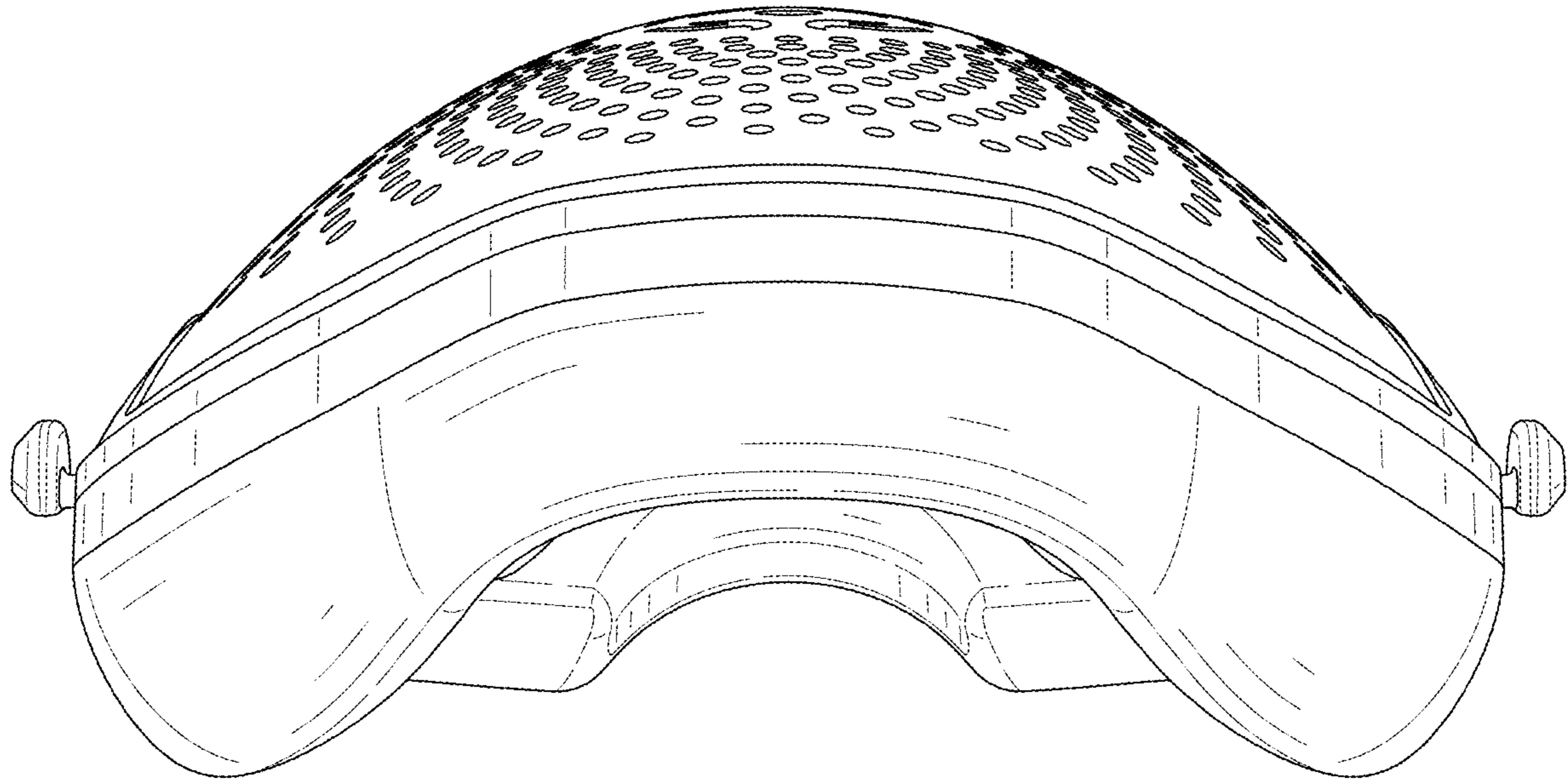


FIG. 8