



US00D894391S

(12) **United States Design Patent**
Robichaud et al.

(10) **Patent No.:** **US D894,391 S**

(45) **Date of Patent:** **** Aug. 25, 2020**

(54) **DENTAL HEALING CAP**

(71) Applicant: **PANTHERA DENTAL INC.**, Quebec,
Quebec (CA)

(72) Inventors: **Jean Robichaud**, St-Aubert (CA);
Jean-Pierre Bilodeau, Beaumont (CA)

(73) Assignee: **Panthera Dental Inc.**, Quebec (CA)

(**) Term: **15 Years**

(21) Appl. No.: **29/661,110**

(22) Filed: **Aug. 24, 2018**

(30) **Foreign Application Priority Data**

Mar. 1, 2018 (CA) 179921

(51) **LOC (12) Cl.** **24-03**

(52) **U.S. Cl.**

USPC **D24/152; D24/156**

(58) **Field of Classification Search**

USPC D24/176-178, 180-182, 152, 156, 127;
D8/300, 305, 313, 352; D7/393;
433/141, 173

(Continued)

(56) **References Cited**

U.S. PATENT DOCUMENTS

5,145,372 A * 9/1992 Daftary A61C 8/008
433/173

D386,383 S * 11/1997 Lougee D8/310

(Continued)

Primary Examiner — Wan Laymon

(74) *Attorney, Agent, or Firm* — Brooks Kushman P.C.

(57) **CLAIM**

The ornamental design for a dental healing cap, as shown and described.

DESCRIPTION

FIG. 1 is a perspective view of a dental healing cap in accordance with a first variant;

FIG. 2 is a front elevation view of the dental healing cap shown in FIG. 1, the rear, left-side, and right-side elevation views being identical;

FIG. 3 is a top plan view of the dental healing cap shown in FIG. 1;

FIG. 4 is a bottom plan view of the dental healing cap shown in FIG. 1;

FIG. 5 is a perspective view of the dental healing cap in accordance with a second variant;

FIG. 6 is a front elevation view of the dental healing cap shown in FIG. 5, the rear, left-side, and right-side elevation views being identical;

FIG. 7 is a top plan view of the dental healing cap shown in FIG. 5;

FIG. 8 is a bottom plan view of the dental healing cap shown in FIG. 5;

FIG. 9 is a perspective view of the dental healing cap in accordance with a third variant;

FIG. 10 is a front elevation view of the dental healing cap shown in FIG. 9, the rear, left-side, and right-side elevation views being identical;

FIG. 11 is a top plan view of the dental healing cap shown in FIG. 9;

FIG. 12 is a bottom plan view of the dental healing cap shown in FIG. 9;

FIG. 13 is a perspective view of the dental healing cap shown in accordance with a fourth variant;

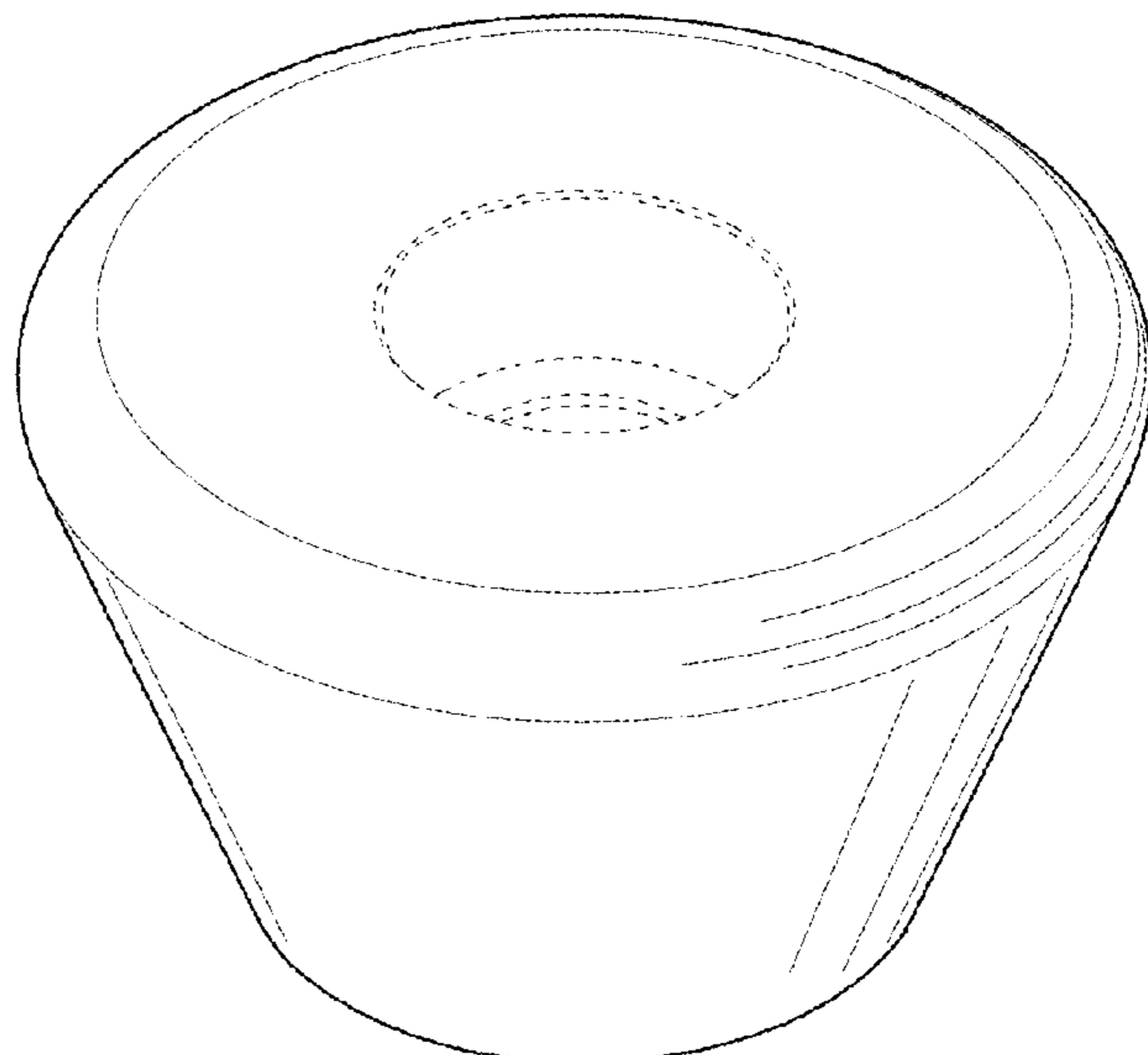
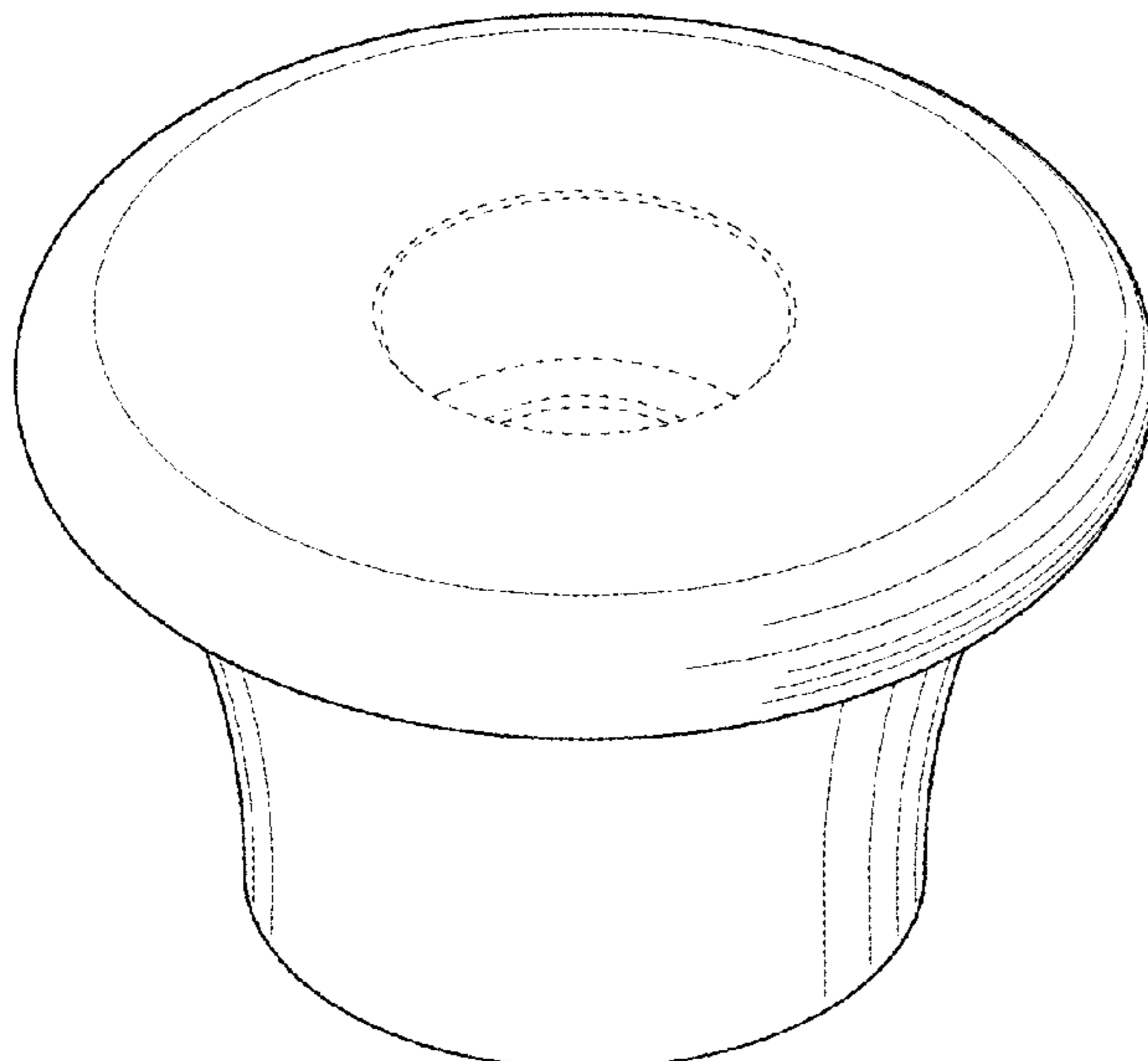
FIG. 14 is a front elevation view of the dental healing cap shown in FIG. 13, the rear, left-side, and right-side elevation views being identical;

FIG. 15 is a top plan view of the dental healing cap shown in FIG. 13; and,

FIG. 16 is a bottom plan view of the dental healing cap shown in FIG. 13.

The broken lines are for illustrative purposes and form no part of the claimed design.

1 Claim, 8 Drawing Sheets



(58) **Field of Classification Search**

CPC E05B 1/0007; A61C 8/008; A61C 8/0089;
A61C 8/0037; A61C 8/0069; A61C
8/0071

See application file for complete search history.

(56) **References Cited**

U.S. PATENT DOCUMENTS

5,733,123	A *	3/1998	Blacklock	A61C 8/008 433/173
D410,083	S *	5/1999	Broberg	D24/156
D486,912	S *	2/2004	Schulter	D24/156
D611,148	S *	3/2010	White, III	D24/156
9,011,146	B2 *	4/2015	Suttin	A61C 8/0089 433/72
2002/0182560	A1 *	12/2002	Park	A61C 8/00 433/173
2005/0095550	A1 *	5/2005	Kim	A61C 8/0022 433/173
2007/0015110	A1 *	1/2007	Zhang	A61C 8/0012 433/173
2014/0178835	A1 *	6/2014	Lin	A61C 8/008 433/173

* cited by examiner

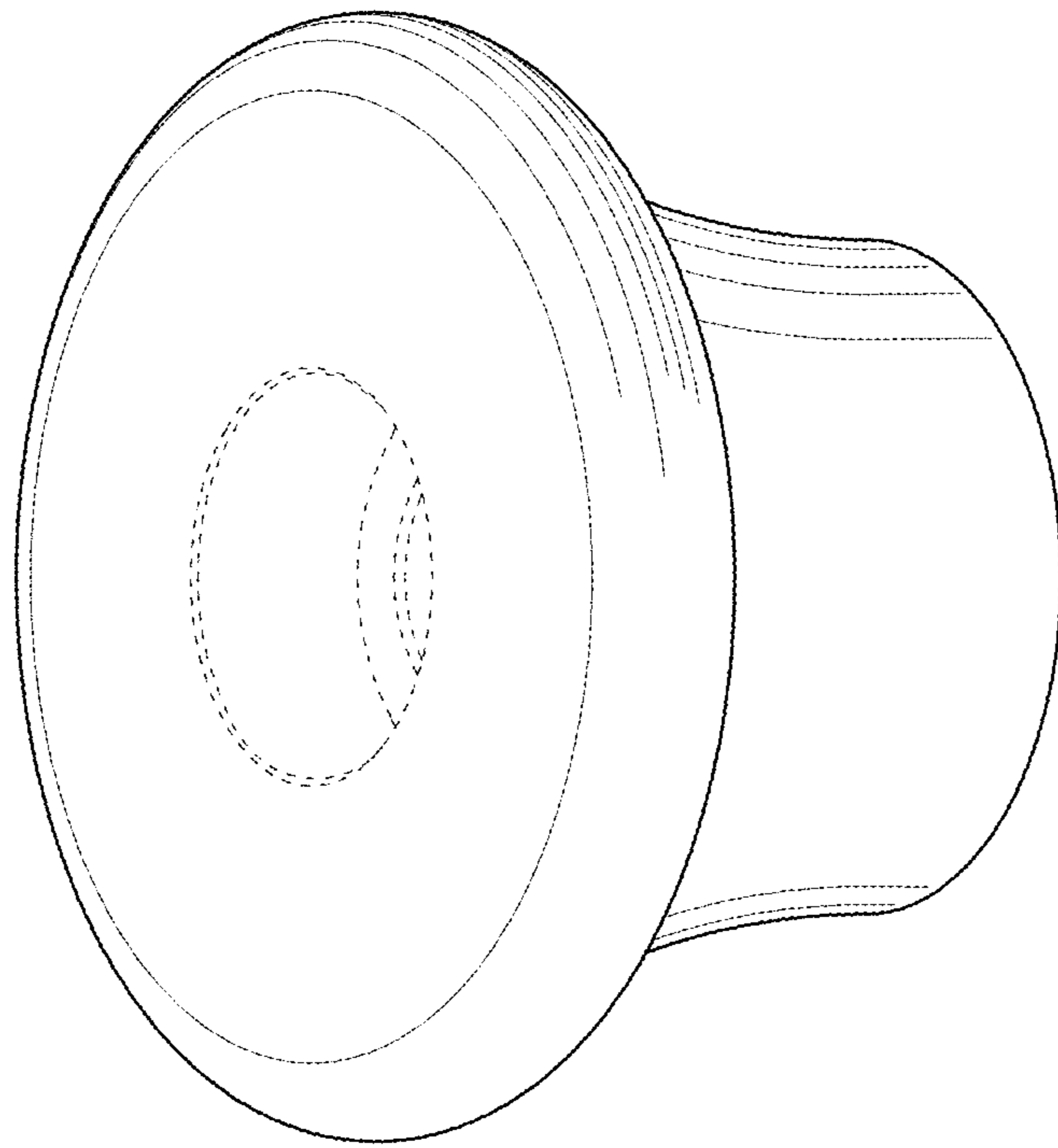


FIG. 1

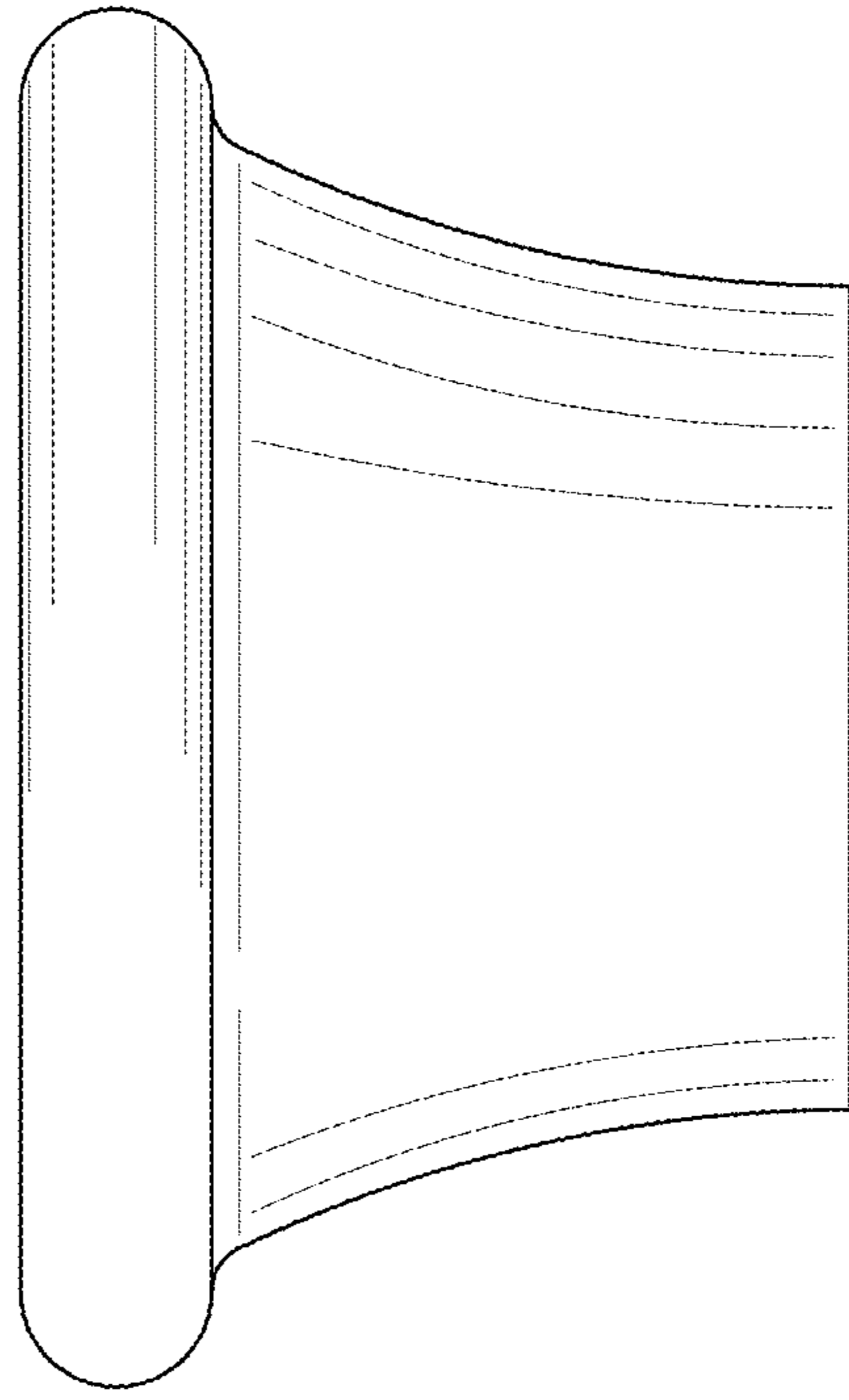


FIG. 2

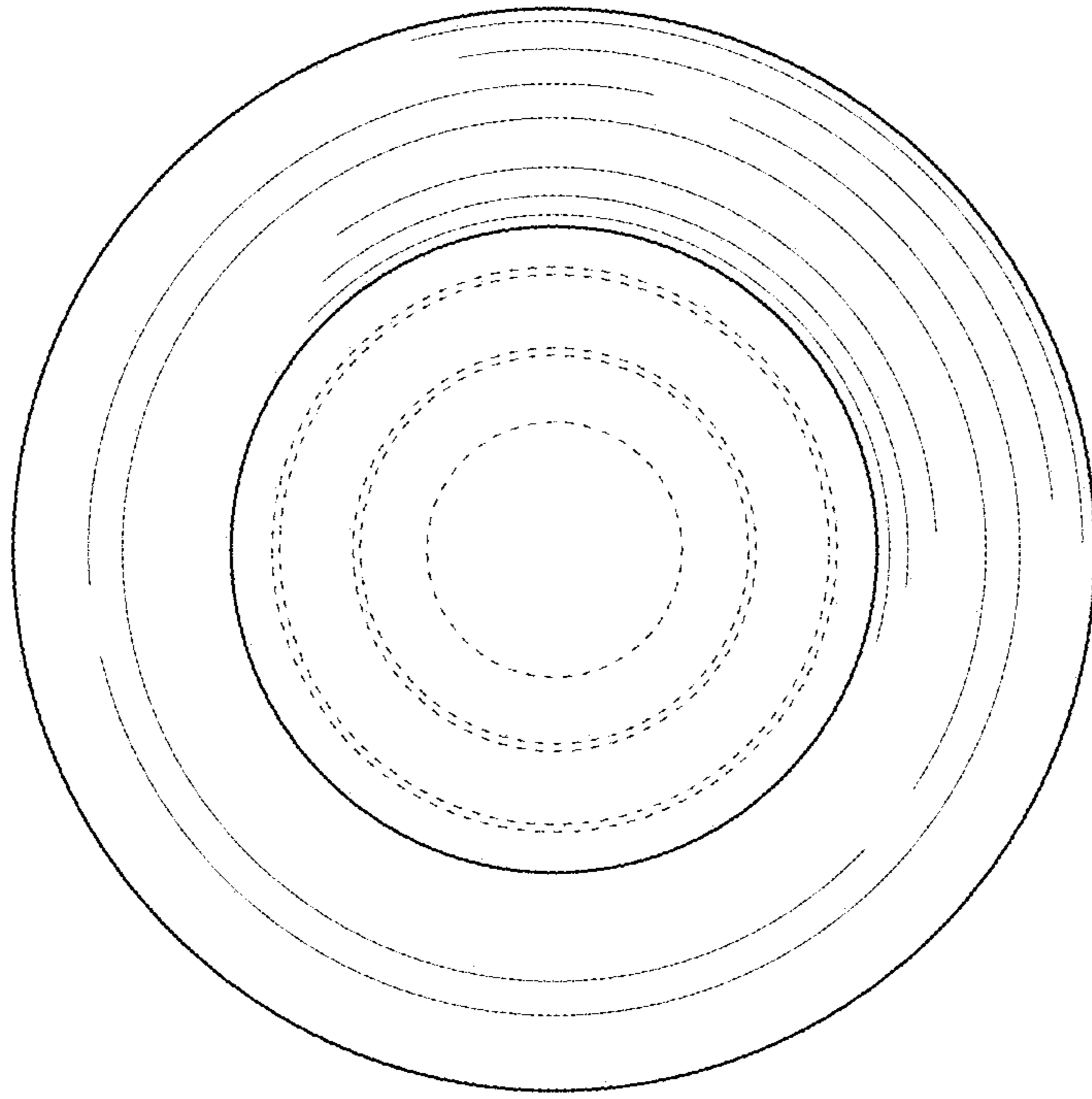


FIG. 4

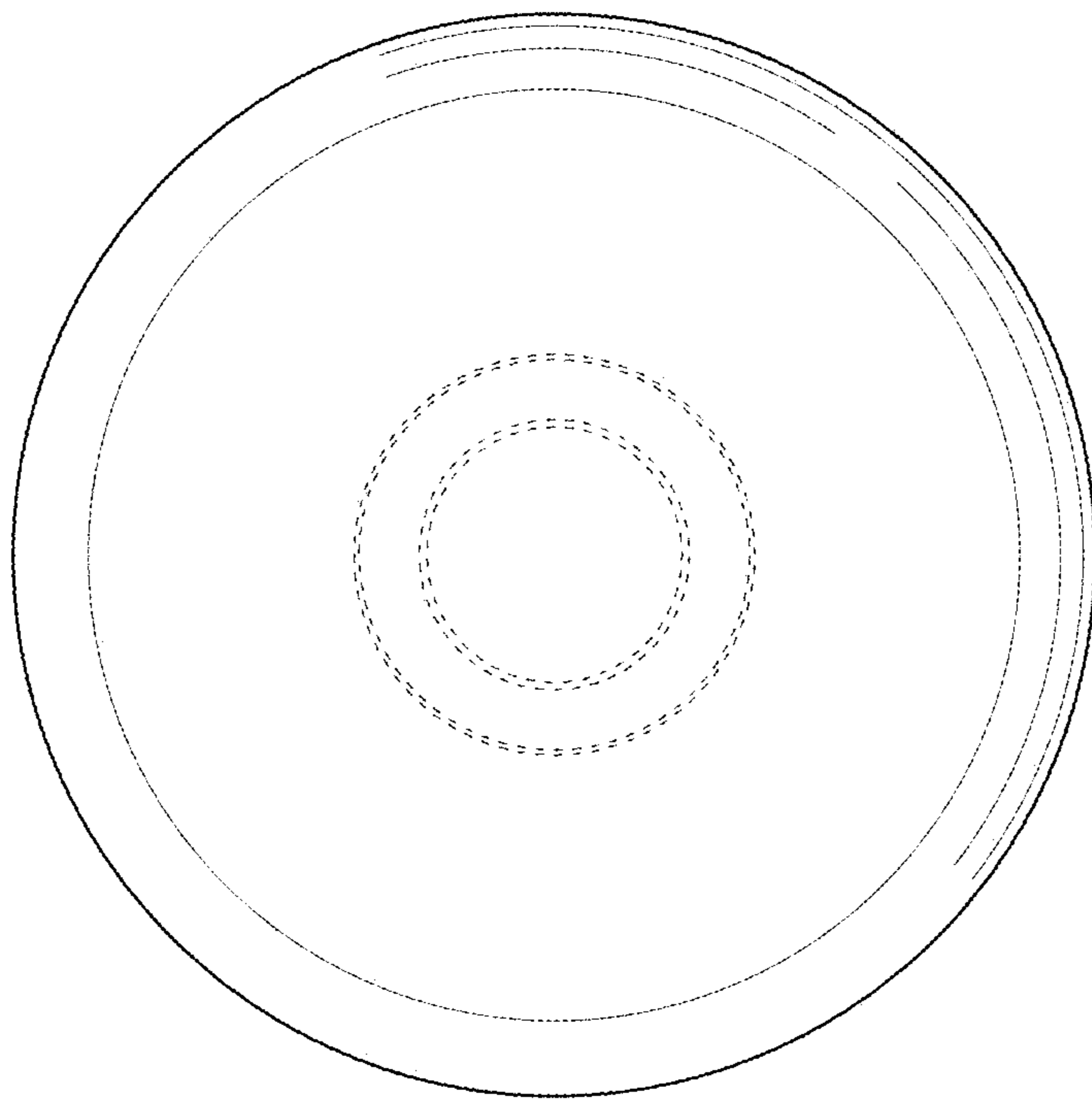


FIG. 3

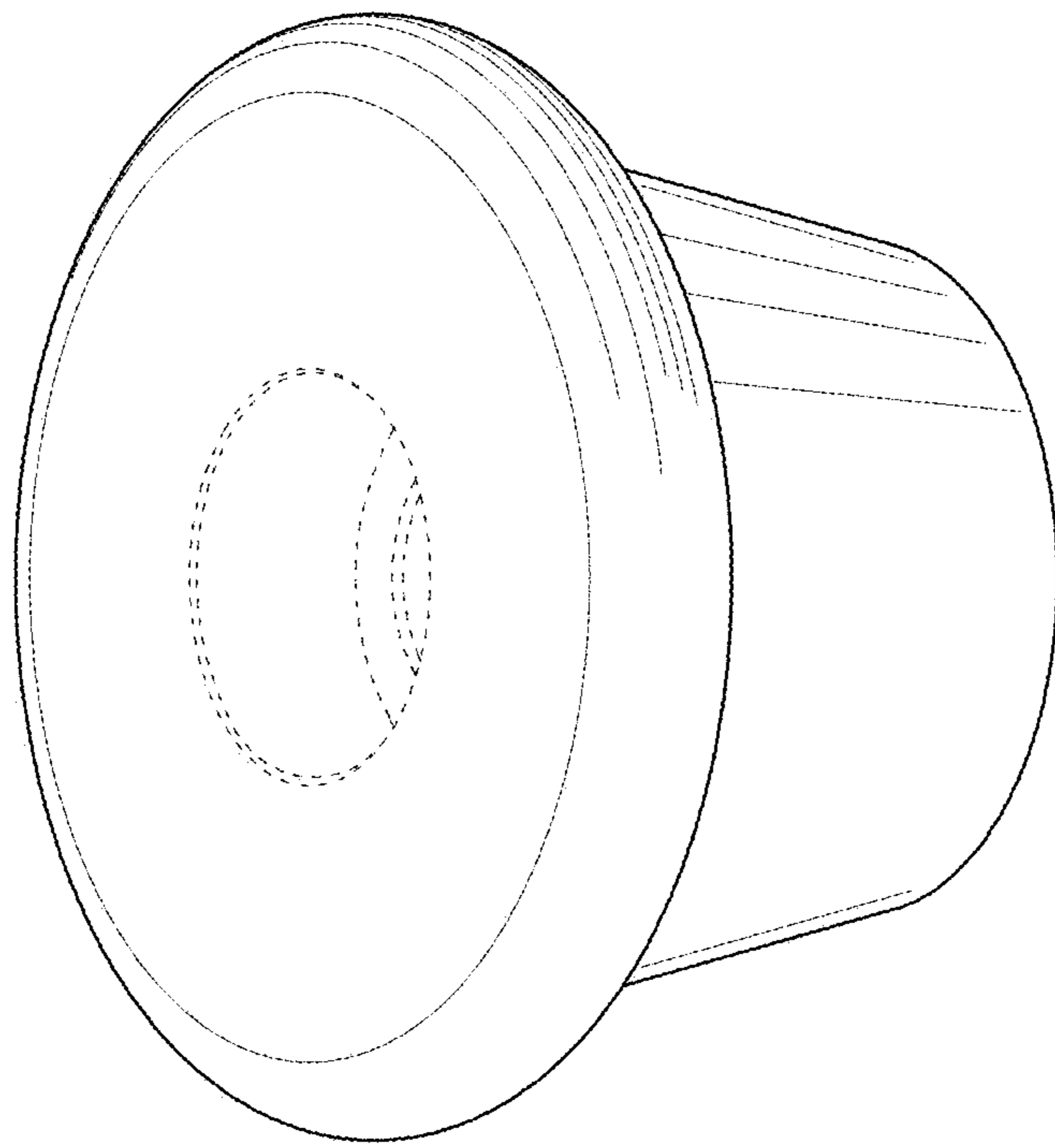


FIG. 5

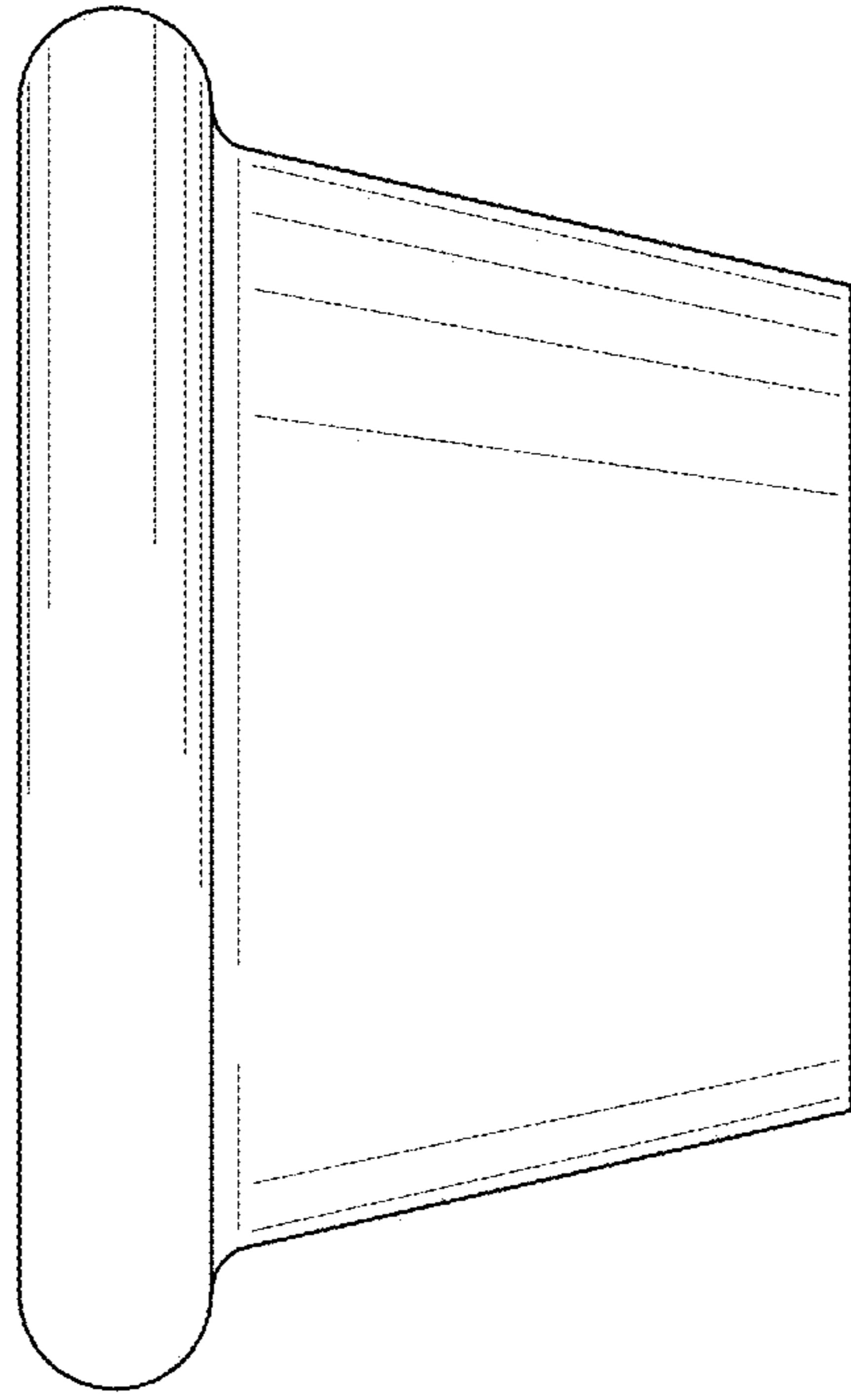


FIG. 6

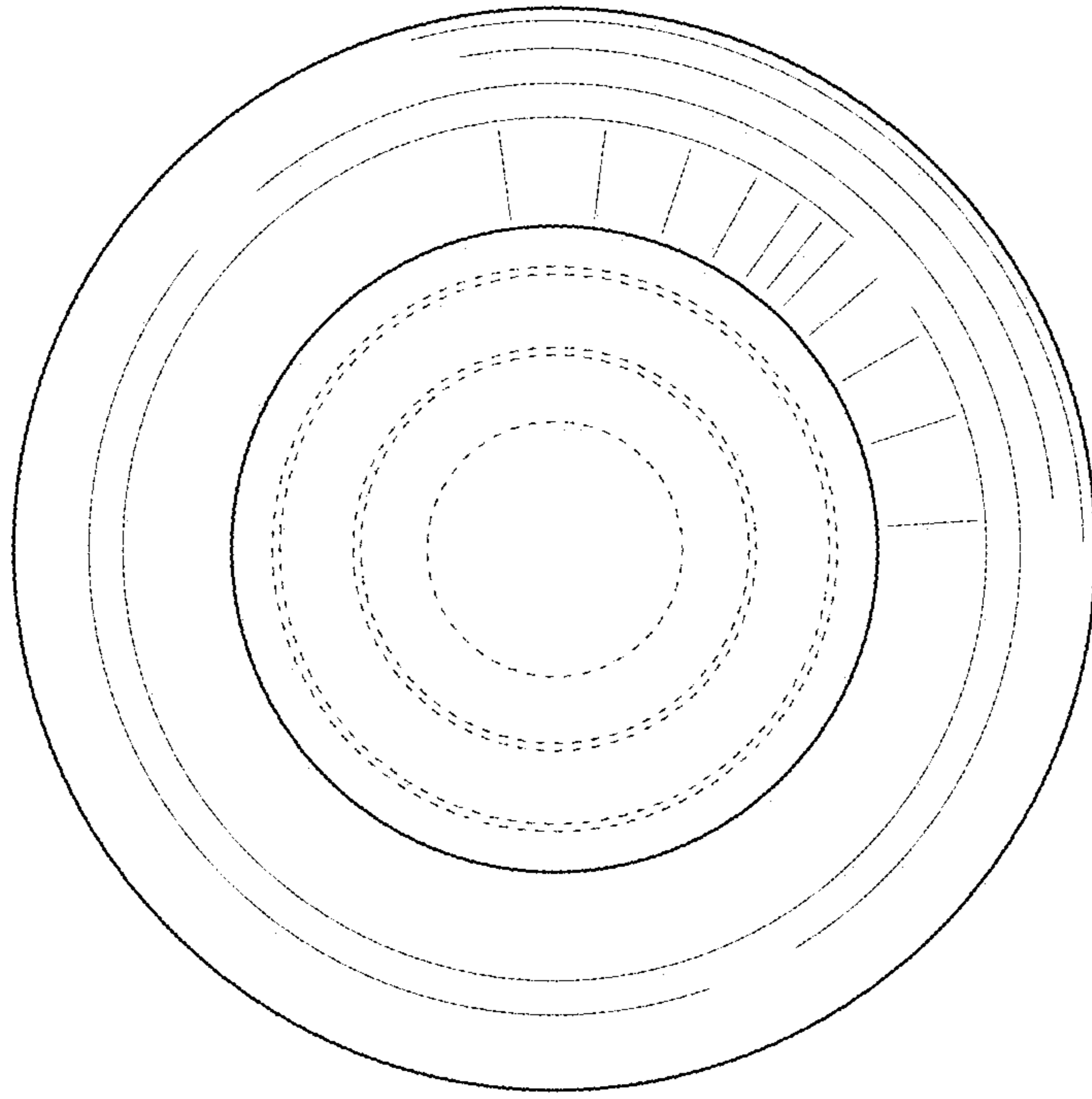


FIG. 8

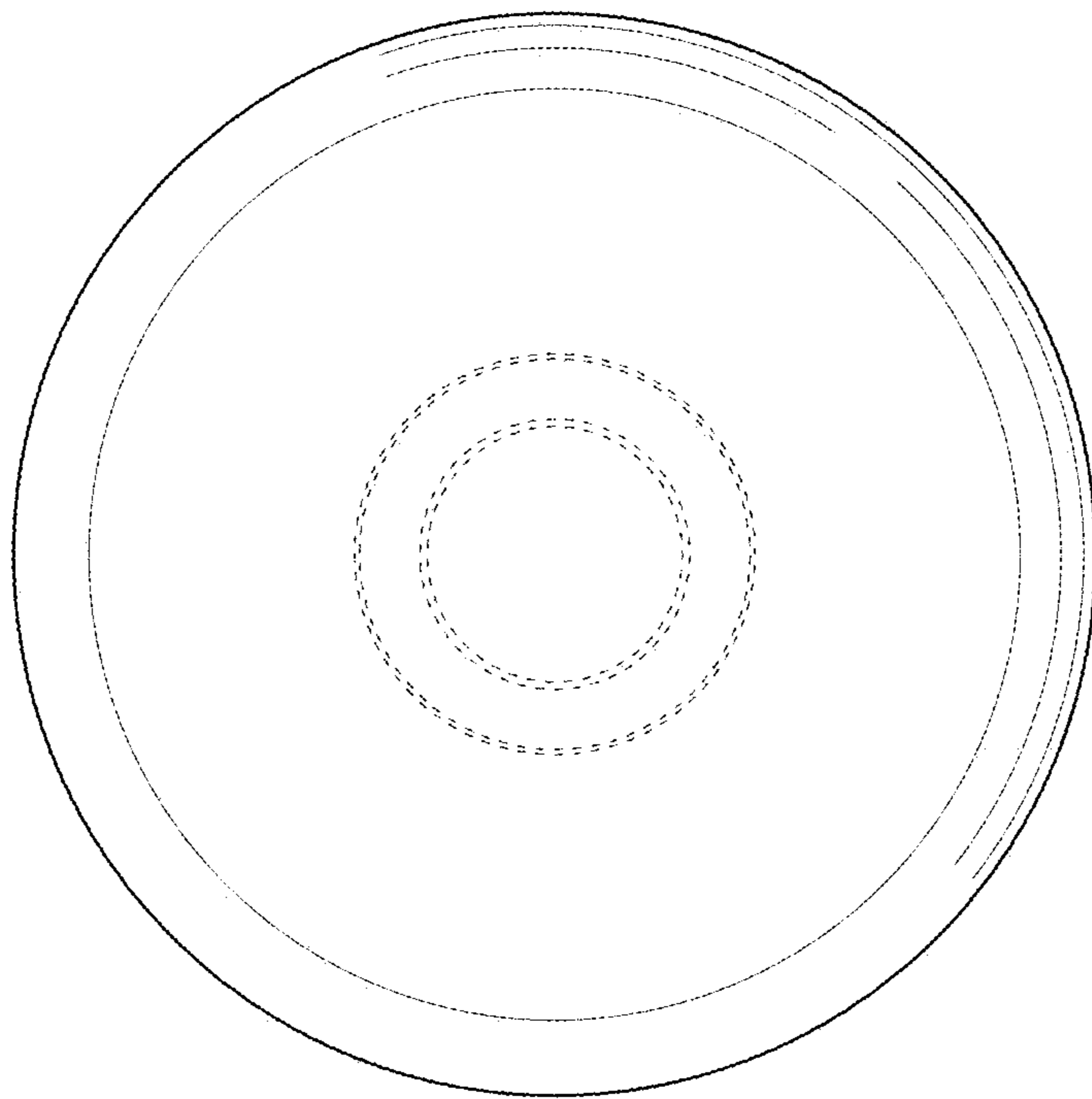


FIG. 7

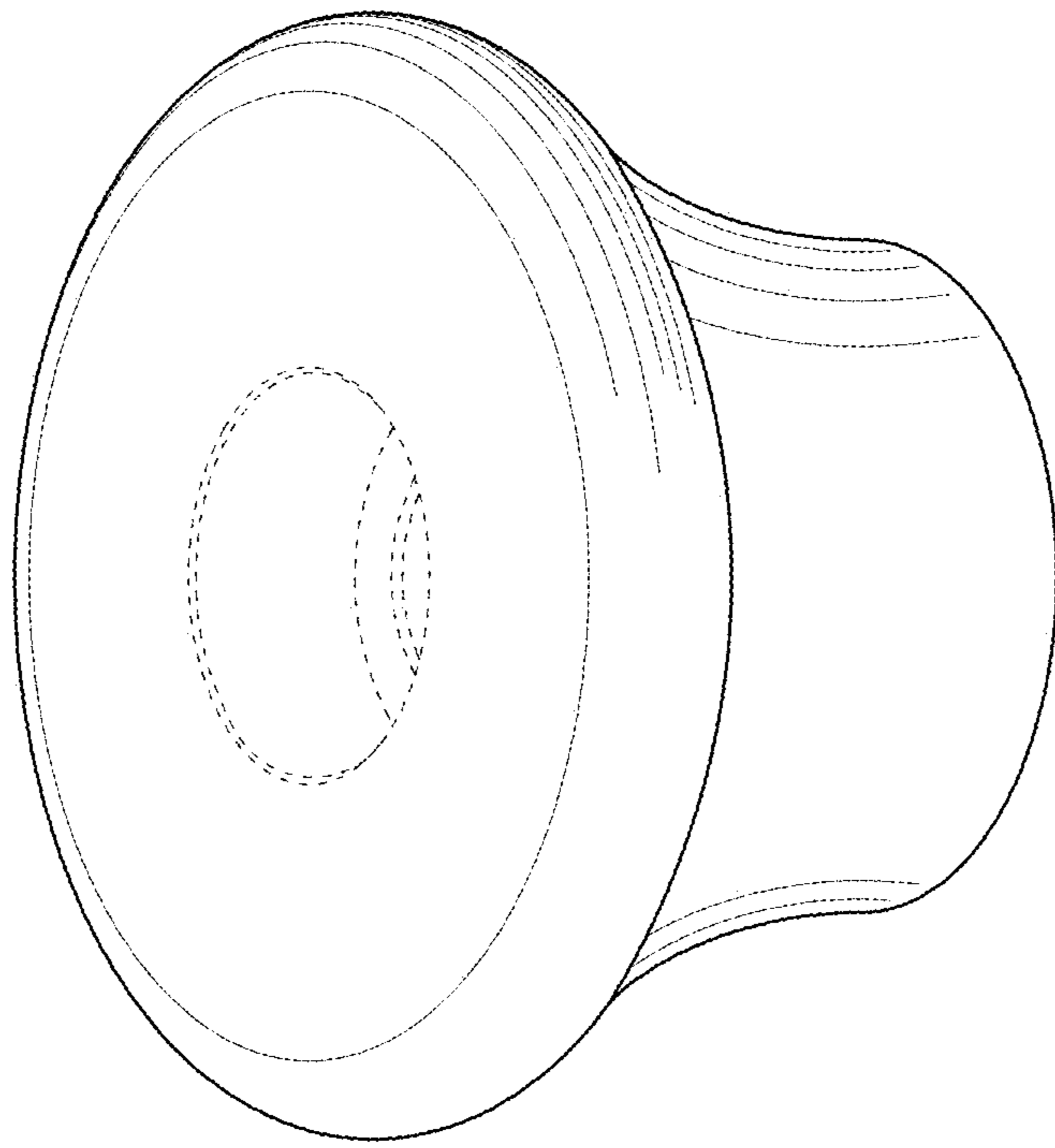


FIG. 9

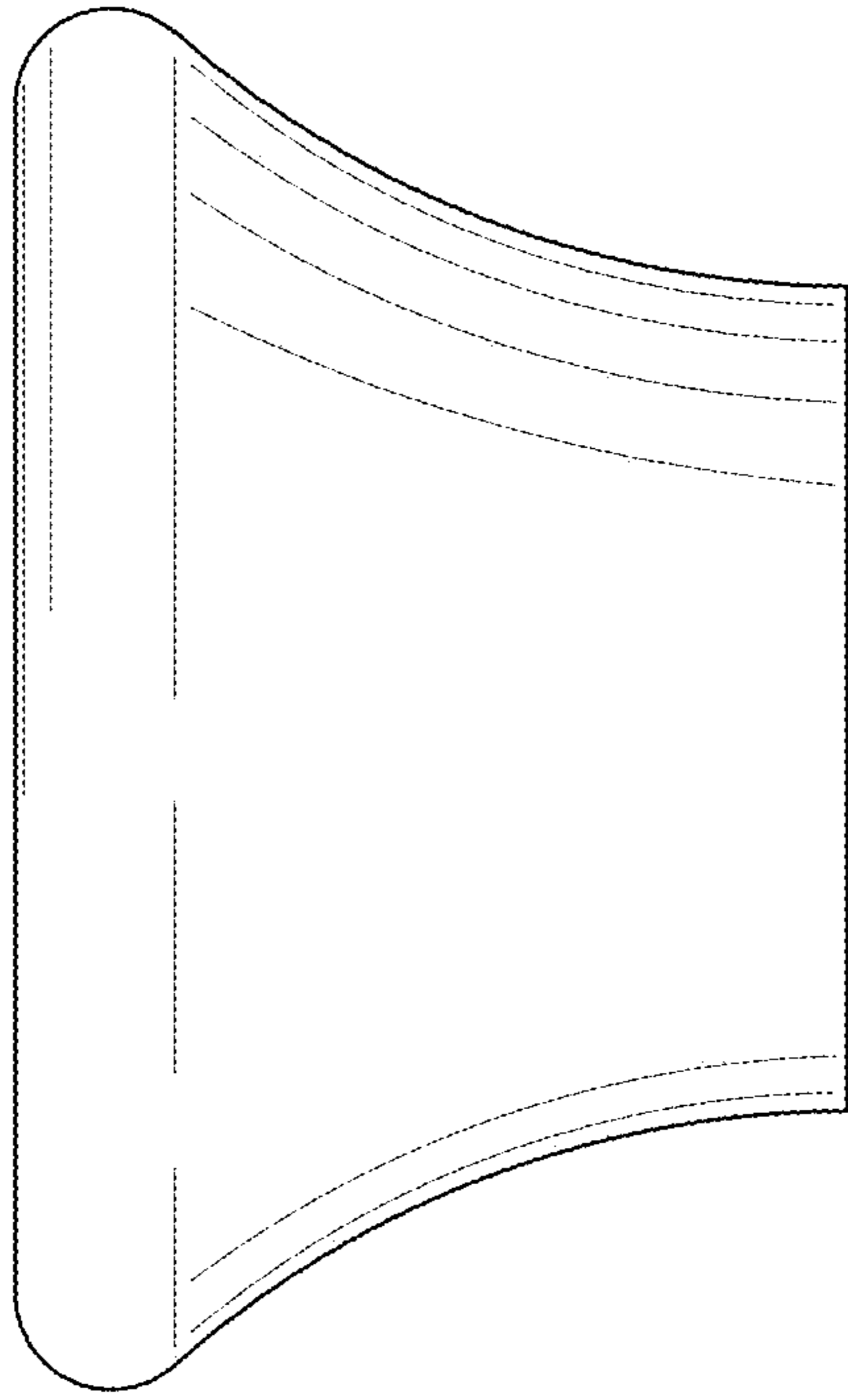


FIG. 10

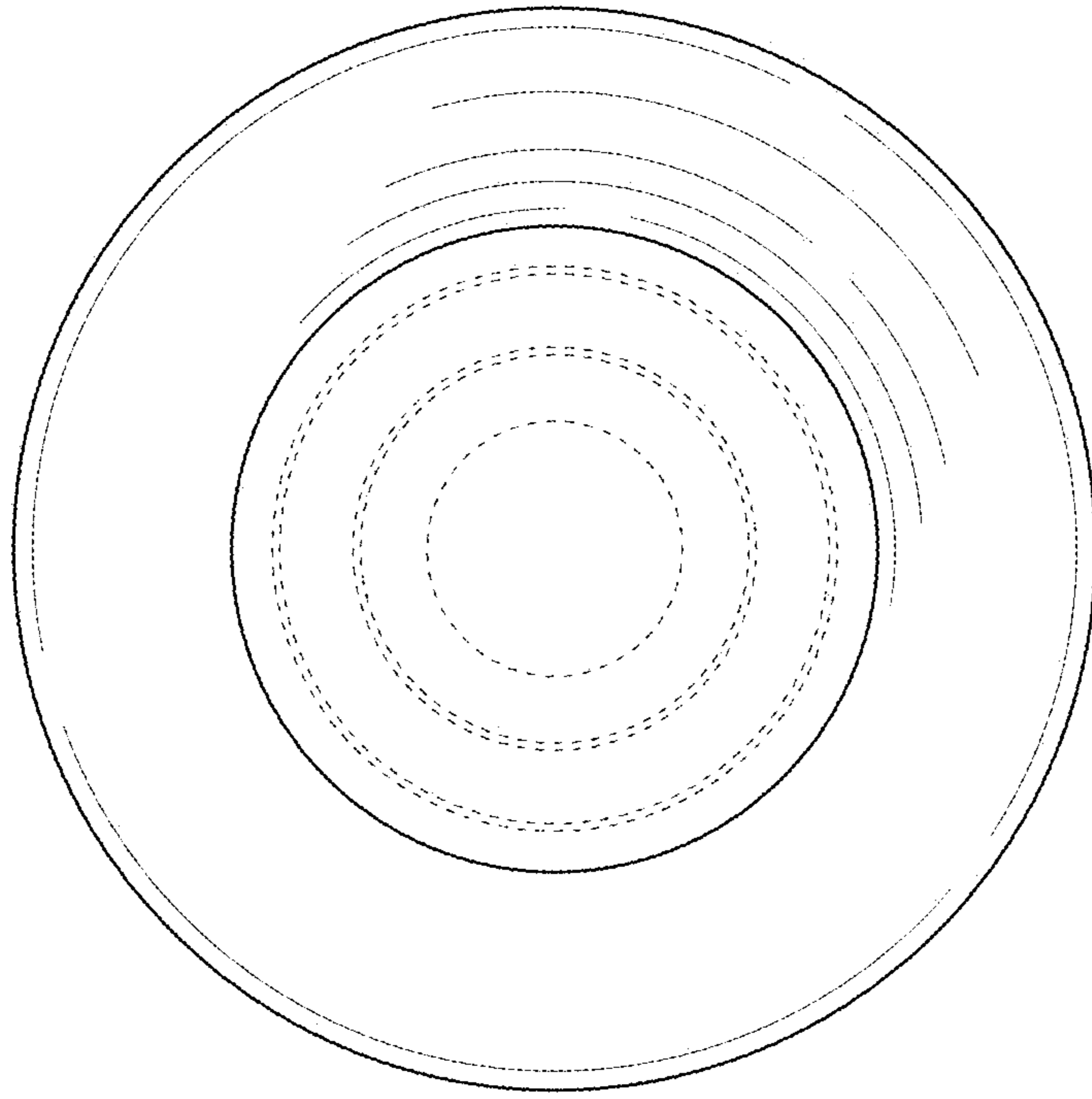


FIG. 12

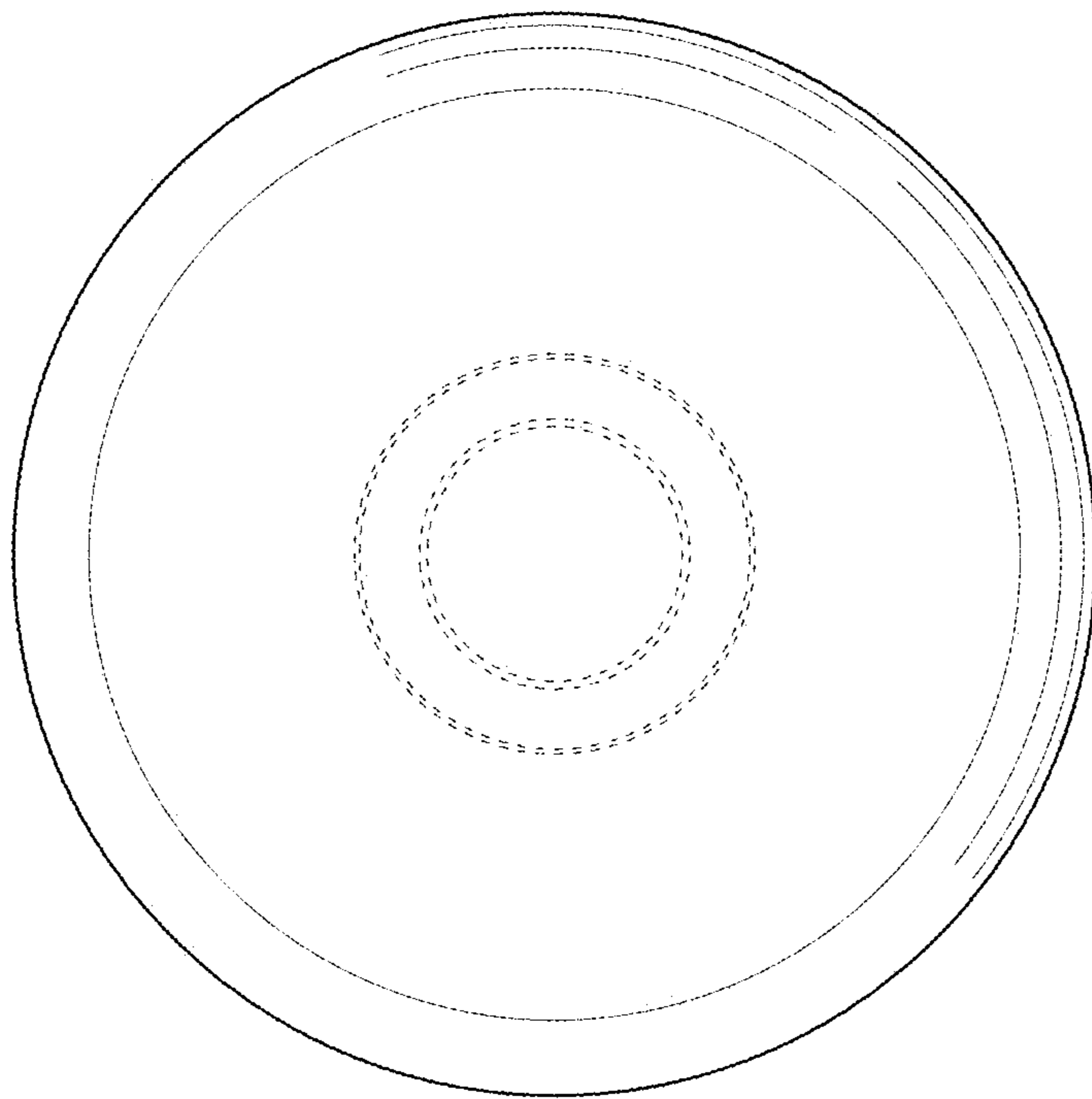


FIG. 11

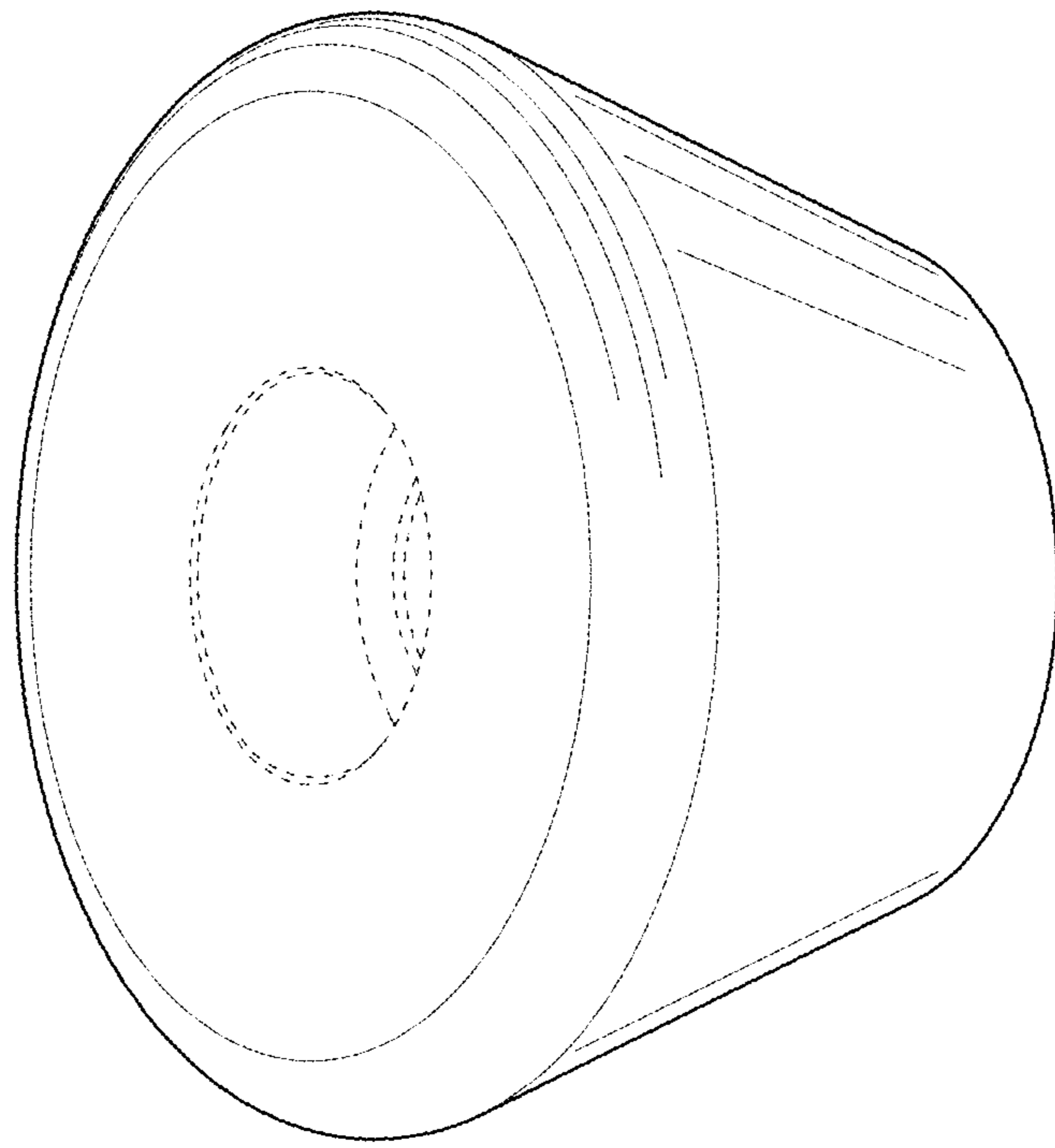


FIG. 13

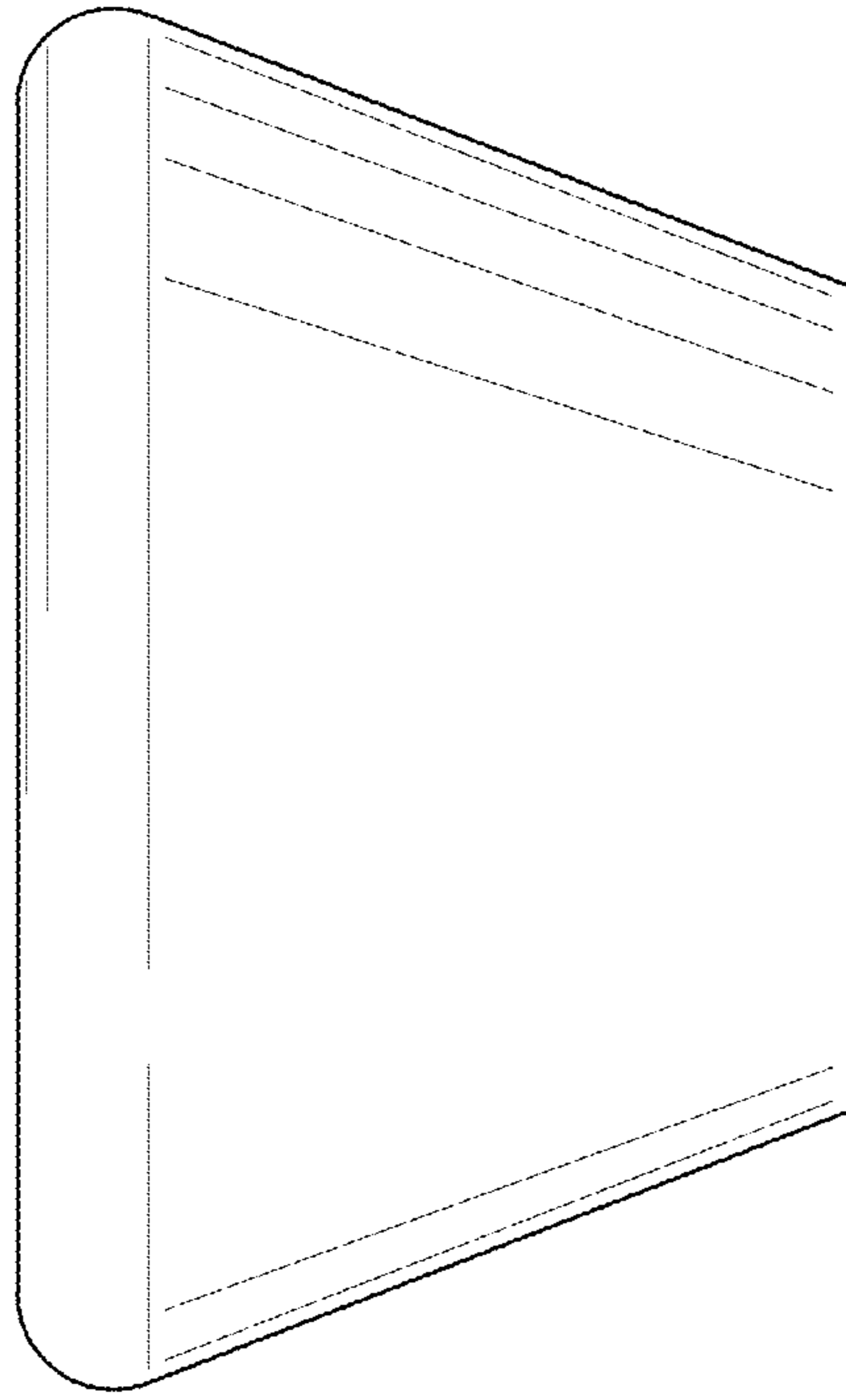


FIG. 14

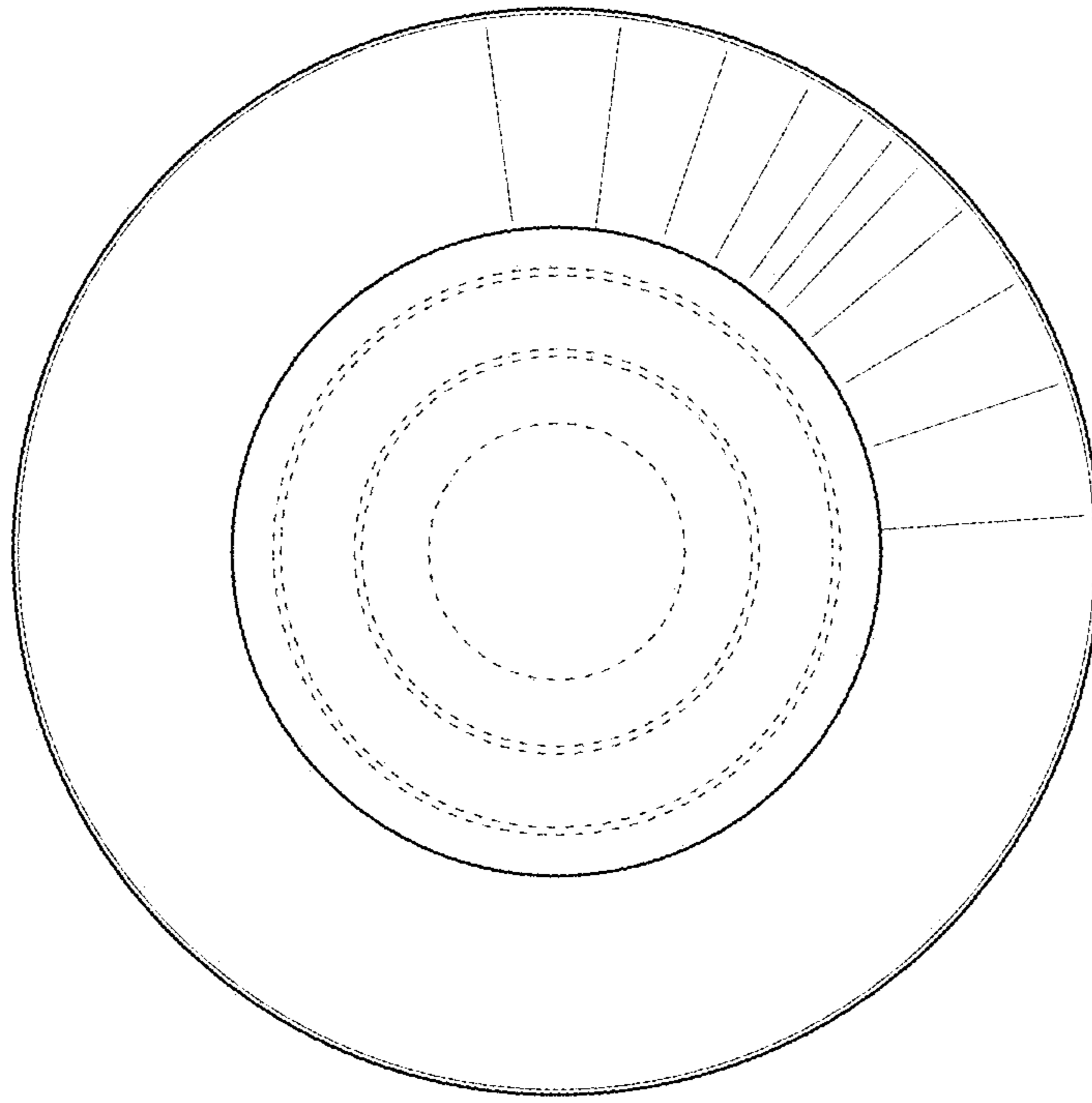


FIG. 16

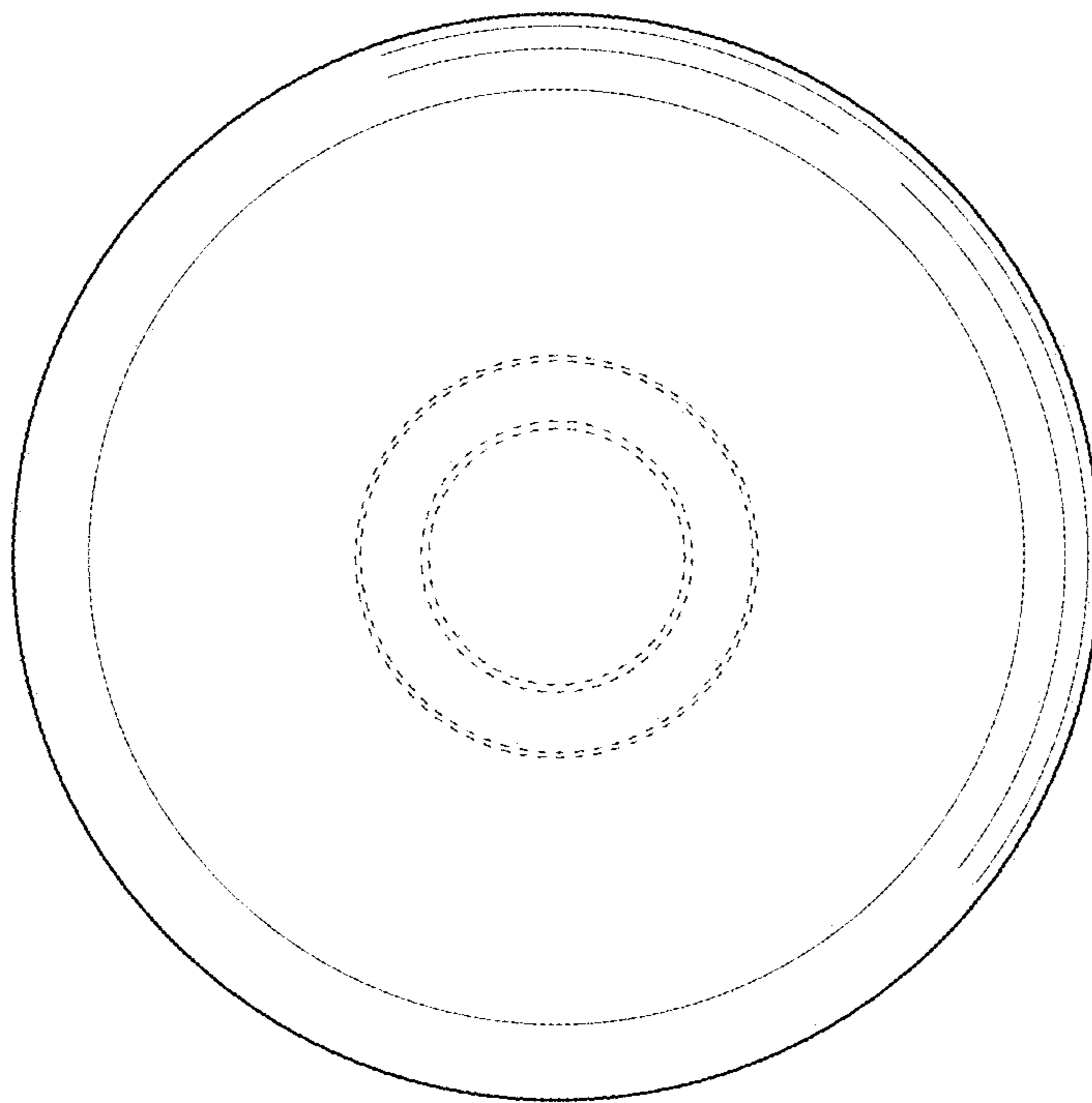


FIG. 15