

US00D894390S

(12) **United States Design Patent**  
**Miller et al.**

(10) **Patent No.:** **US D894,390 S**

(45) **Date of Patent:** **\*\* Aug. 25, 2020**

(54) **STAPLING HEAD FEATURE FOR SURGICAL STAPLER**

(71) Applicant: **Ethicon LLC**, Guaynabo, PR (US)

(72) Inventors: **Christopher C. Miller**, Loveland, OH (US); **Frederick E. Shelton, IV**, Hillsboro, OH (US)

(73) Assignee: **Ethicon LLC**, Guaynabo, PR (US)

(\*\*) Term: **15 Years**

(21) Appl. No.: **29/665,182**

(22) Filed: **Oct. 1, 2018**

**Related U.S. Application Data**

(62) Division of application No. 29/584,321, filed on Nov. 14, 2016, now Pat. No. Des. 833,608.

(51) **LOC (12) Cl.** ..... **24-02**

(52) **U.S. Cl.**  
USPC ..... **D24/145**

(58) **Field of Classification Search**  
USPC ..... D24/143, 145  
CPC ..... A61B 17/068; A61B 17/072; A61B 17/07207; A61B 17/064; A61B 17/115; A61B 17/1155

See application file for complete search history.

(56) **References Cited**

**U.S. PATENT DOCUMENTS**

5,205,459	A	4/1993	Brinkerhoff et al.	
5,271,544	A	12/1993	Fox et al.	
5,292,053	A	3/1994	Bilotti et al.	
5,333,773	A	8/1994	Main et al.	
7,168,604	B2	1/2007	Milliman et al.	
7,364,060	B2	4/2008	Milliman	
7,546,940	B2 *	6/2009	Milliman	A61B 17/115
				227/175.1
8,408,441	B2	4/2013	Wenchell et al.	

8,453,906	B2	6/2013	Huang et al.	
8,613,383	B2	12/2013	Beckman et al.	
D700,325	S	2/2014	Nalagatla et al.	
8,684,252	B2	4/2014	Patel et al.	
8,794,497	B2	8/2014	Zingman	
			(Continued)	

**FOREIGN PATENT DOCUMENTS**

CN	3657881	6/2007	
CN	3657882	6/2007	
			(Continued)

**OTHER PUBLICATIONS**

Japanese Office Action, Notification, dated Mar. 13, 2018 for Application No. JP 2017-010286, 2 pgs.  
(Continued)

*Primary Examiner* — Wan Laymon

(74) *Attorney, Agent, or Firm* — Frost Brown Todd LLC

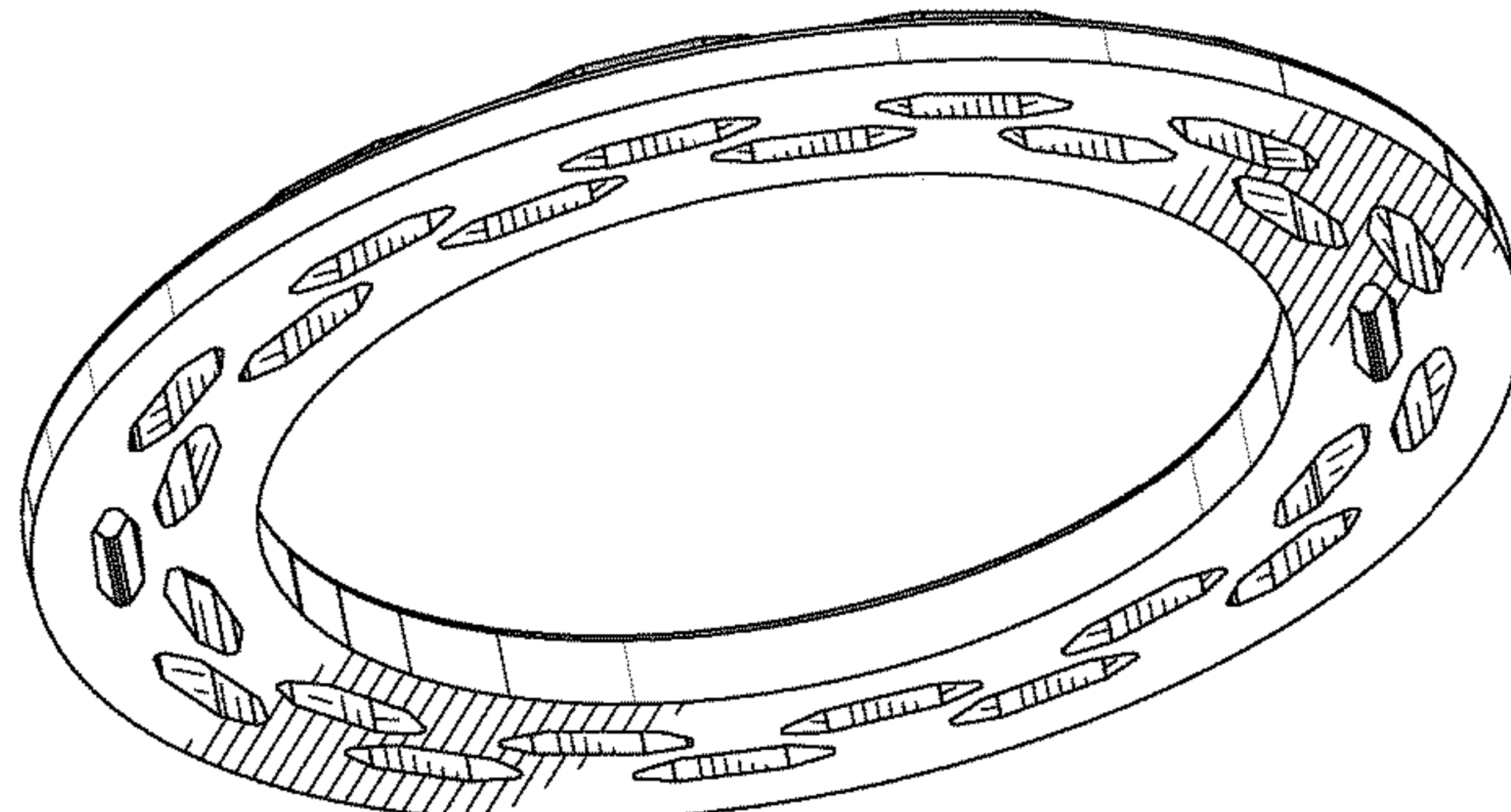
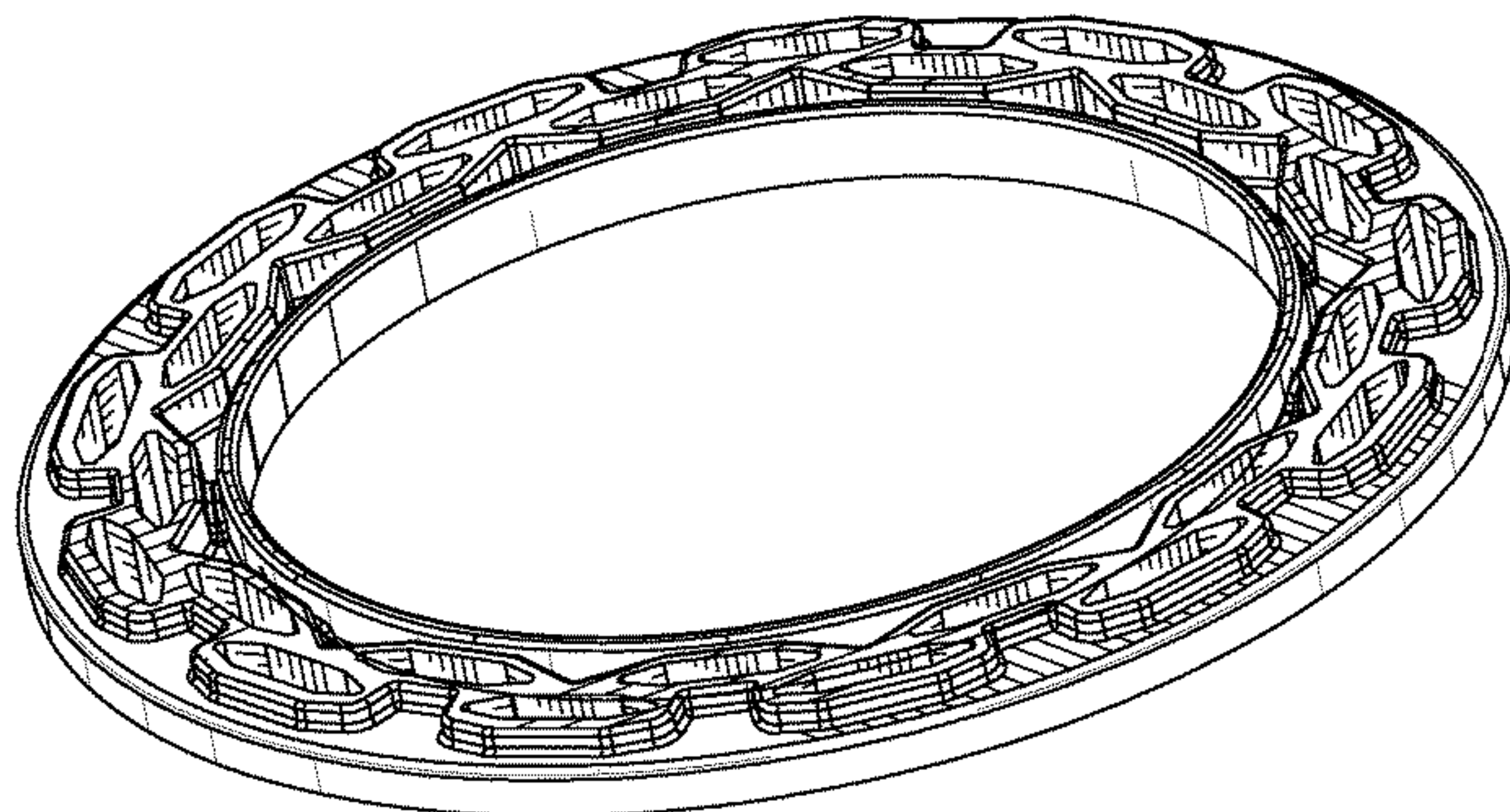
(57) **CLAIM**

The ornamental design for a stapling head feature for surgical stapler, as shown and described.

**DESCRIPTION**

FIG. 1 is a top perspective view of a stapling head feature for a surgical stapler, showing our new design; FIG. 2 is a bottom perspective view thereof; FIG. 3 is a front elevational view thereof; FIG. 4 is a rear elevational view thereof; FIG. 5 is a left elevational view thereof; FIG. 6 is a right elevational view thereof; FIG. 7 is a top plan view thereof; FIG. 8 is a bottom plan view thereof; FIG. 9 is a cross-sectional view taken along line 9-9 of FIG. 7; and, FIG. 10 is a cross-sectional view taken along line 9-9 of FIG. 7.

**1 Claim, 10 Drawing Sheets**



(56)

References Cited

U.S. PATENT DOCUMENTS

9,038,882 B2 \* 5/2015 Racenet ..... A61B 17/072  
227/180.1

9,055,942 B2 6/2015 Balbierz et al.

9,168,042 B2 10/2015 Milliman

9,186,141 B2 \* 11/2015 Williams ..... A61B 17/072

9,351,724 B2 \* 5/2016 Penna ..... A61B 17/068

9,597,083 B2 3/2017 Penna

9,757,133 B2 9/2017 Latimer et al.

9,867,619 B2 1/2018 Williams

D830,550 S 10/2018 Miller et al.

D833,010 S \* 11/2018 Harris ..... D24/145

D833,608 S 11/2018 Miller et al.

D837,373 S 1/2019 Miller et al.

D854,152 S \* 7/2019 Miller ..... D24/145

2005/0006433 A1 \* 1/2005 Milliman ..... A61B 17/115  
227/176.1

2007/0060952 A1 \* 3/2007 Roby ..... A61B 17/1155  
606/219

2012/0016413 A1 1/2012 Timm et al.

2013/0181035 A1 \* 7/2013 Milliman ..... A61B 17/1155  
227/180.1

2013/0186930 A1 \* 7/2013 Wenchell ..... A61B 17/068  
227/175.1

2013/0200131 A1 \* 8/2013 Racenet ..... A61B 17/072  
227/180.1

2013/0206816 A1 \* 8/2013 Penna ..... A61B 17/115  
227/179.1

2014/0158747 A1 6/2014 Measamer et al.

2015/0366562 A1 12/2015 Gerding et al.

2016/0022267 A1 1/2016 Milliman

2016/0030046 A1 2/2016 Williams

2016/0113653 A1 4/2016 Zingman

2016/0242785 A1 8/2016 Prior

2016/0374665 A1 12/2016 DiNardo et al.

2016/0374669 A1 12/2016 Overmyer et al.

2016/0374672 A1 \* 12/2016 Bear ..... A61B 17/1155  
606/219

2016/0374673 A1 \* 12/2016 Stager ..... A61B 17/068  
227/176.1

2017/0055997 A1 3/2017 Swayze et al.

2017/0086822 A1 3/2017 Scheib et al.

2017/0086847 A1 \* 3/2017 DiNardo ..... A61B 17/068

2017/0258471 A1 9/2017 DiNardo et al.

2017/0281163 A1 10/2017 Shelton, IV et al.

2017/0281169 A1 10/2017 Harris et al.

2017/0281179 A1 10/2017 Shelton, IV et al.

2018/0132848 A1 \* 5/2018 Miller ..... A61B 17/07207

2018/0132853 A1 5/2018 Miller et al.

FOREIGN PATENT DOCUMENTS

JP S53-148190 A 12/1978

JP 2003-199749 A 7/2003

JP 2007-209751 A 8/2007

JP 2008-212672 A 9/2008

JP 2012-024574 A 2/2012

JP 1481409 S 10/2013

JP 1594729 S 1/2018

OTHER PUBLICATIONS

Japanese Office Action, Notification, dated Aug. 7, 2018 for Application No. JP 2017-010287, 2 pgs.

Japanese Office Action, Notification, dated Mar. 13, 2018 for Application No. JP 2017-023542, 2 pgs.

Japanese Office Action, Notification, dated Mar. 13, 2018 for Application No. JP 2017-023544, 2 pgs.

Japanese Office Action, Notification, dated Mar. 13, 2018 for Application No. JP 2017-023545, 2 pgs.

Japanese Office Action, Notification, dated Mar. 13, 2018 for Application No. JP 2017-023652, 2 pgs.

Japanese Office Action, Notification, dated Mar. 13, 2018 for Application No. JP 2017-023654, 2 pgs.

Japanese Office Action, Notification, dated Mar. 13, 2018 for Application No. JP 2017-023655, 2 pgs.

Japanese Office Action, Notification, dated Mar. 13, 2018 for Application No. JP 2017-023656, 2 pgs.

Japanese Office Action, Notification, dated Aug. 7, 2018 for Application No. JP 2017-023649, 1 pg.

Japanese Office Action, Notification, dated Aug. 7, 2018 for Application No. JP 2017-023651, 1 pg.

Japanese Office Action, Notification, dated Aug. 7, 2018 for Application No. JP 2017-023653, 1 pg.

\* cited by examiner



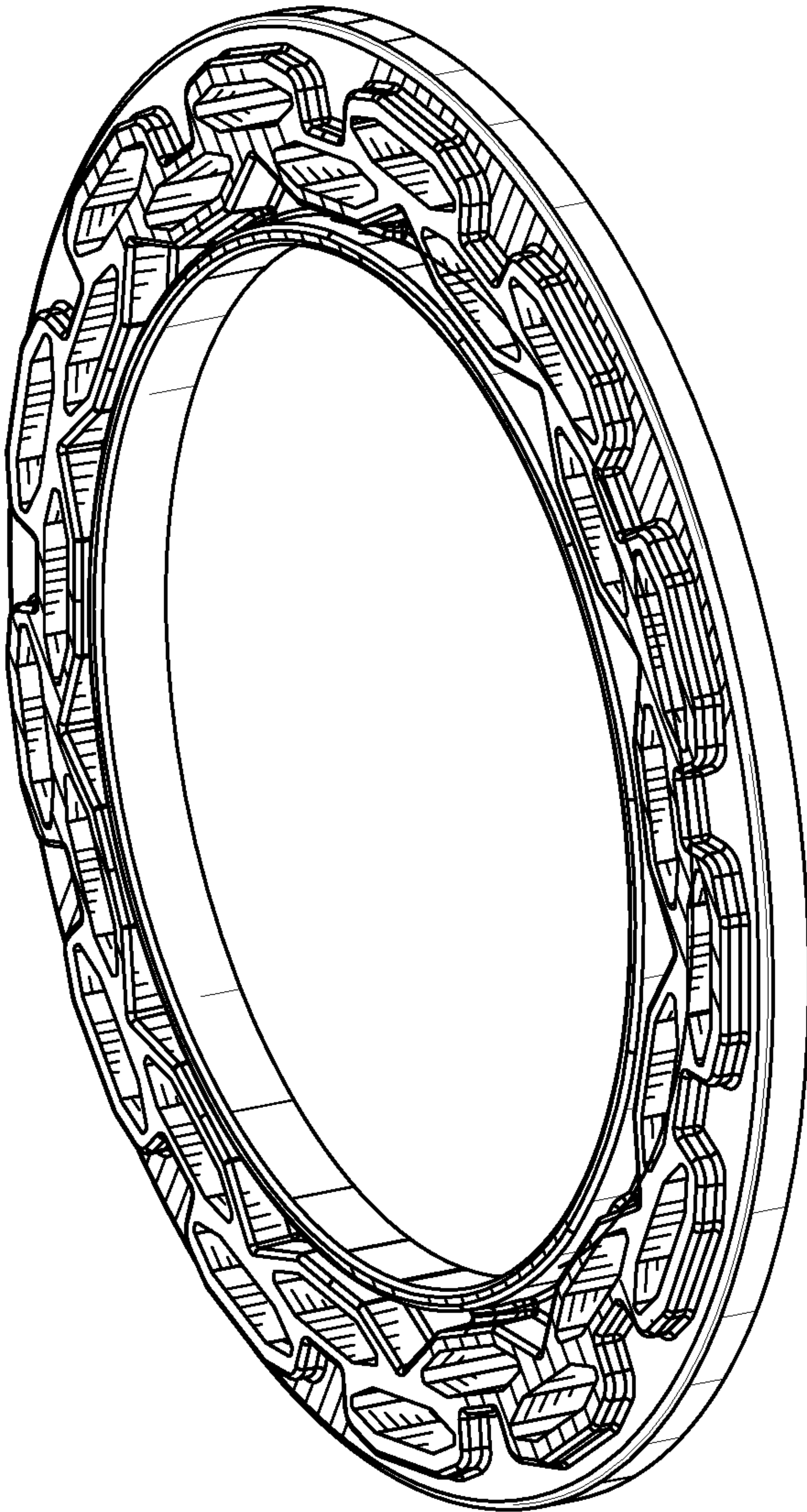


Fig. 1

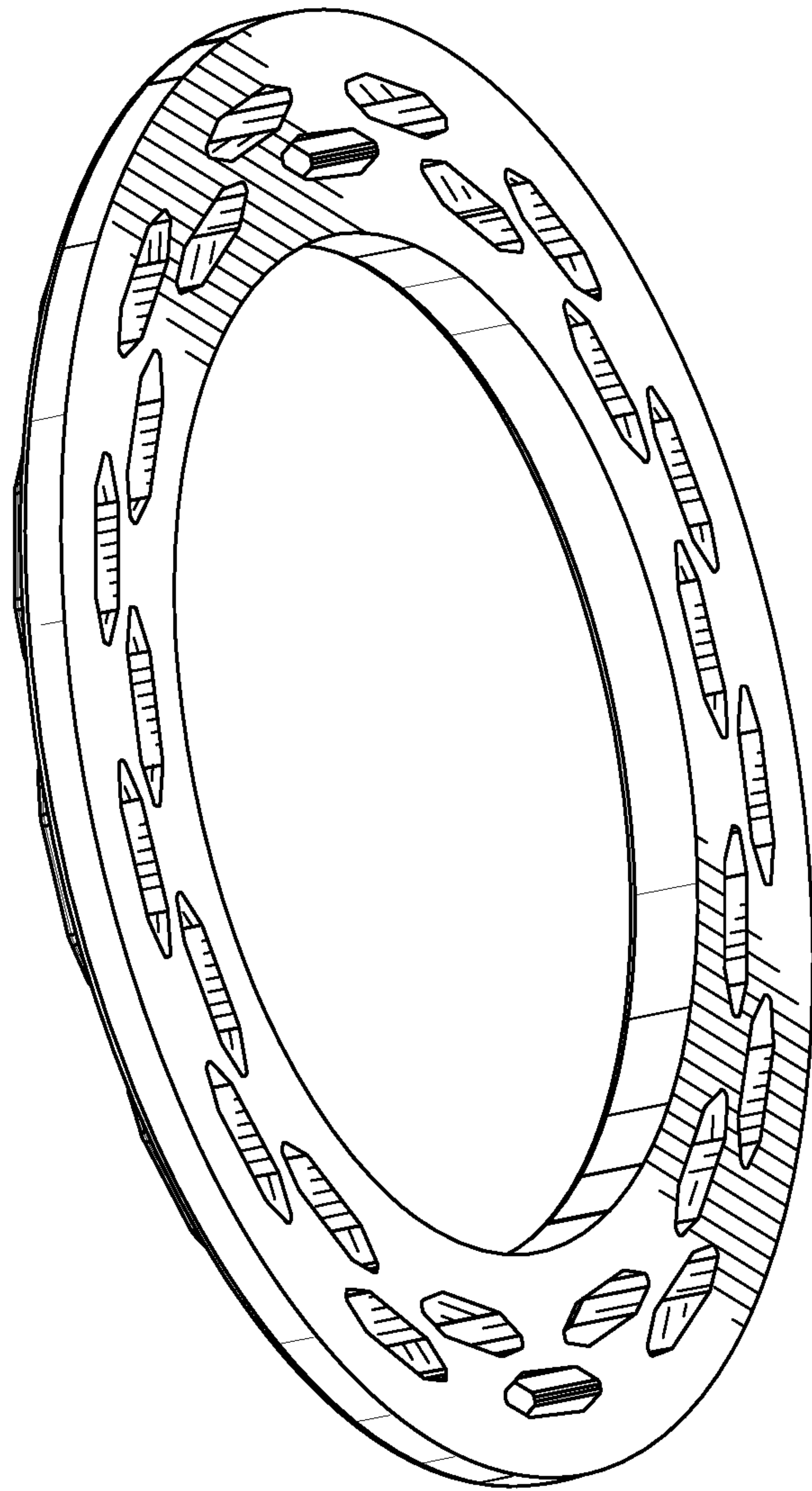


Fig. 2

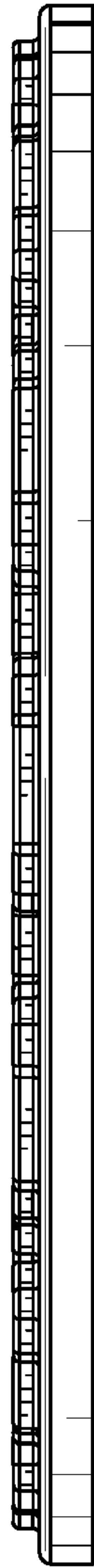


Fig. 3

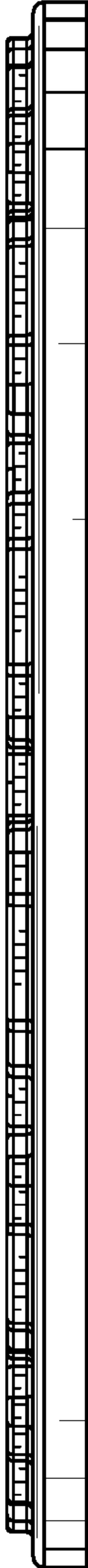


Fig. 4

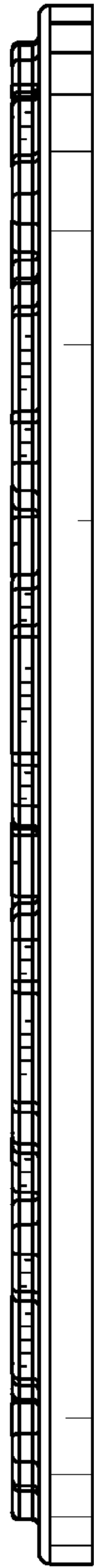


Fig. 5

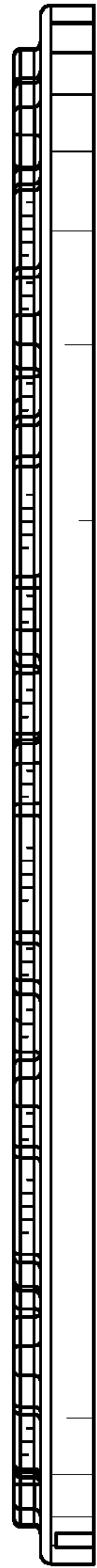


Fig. 6



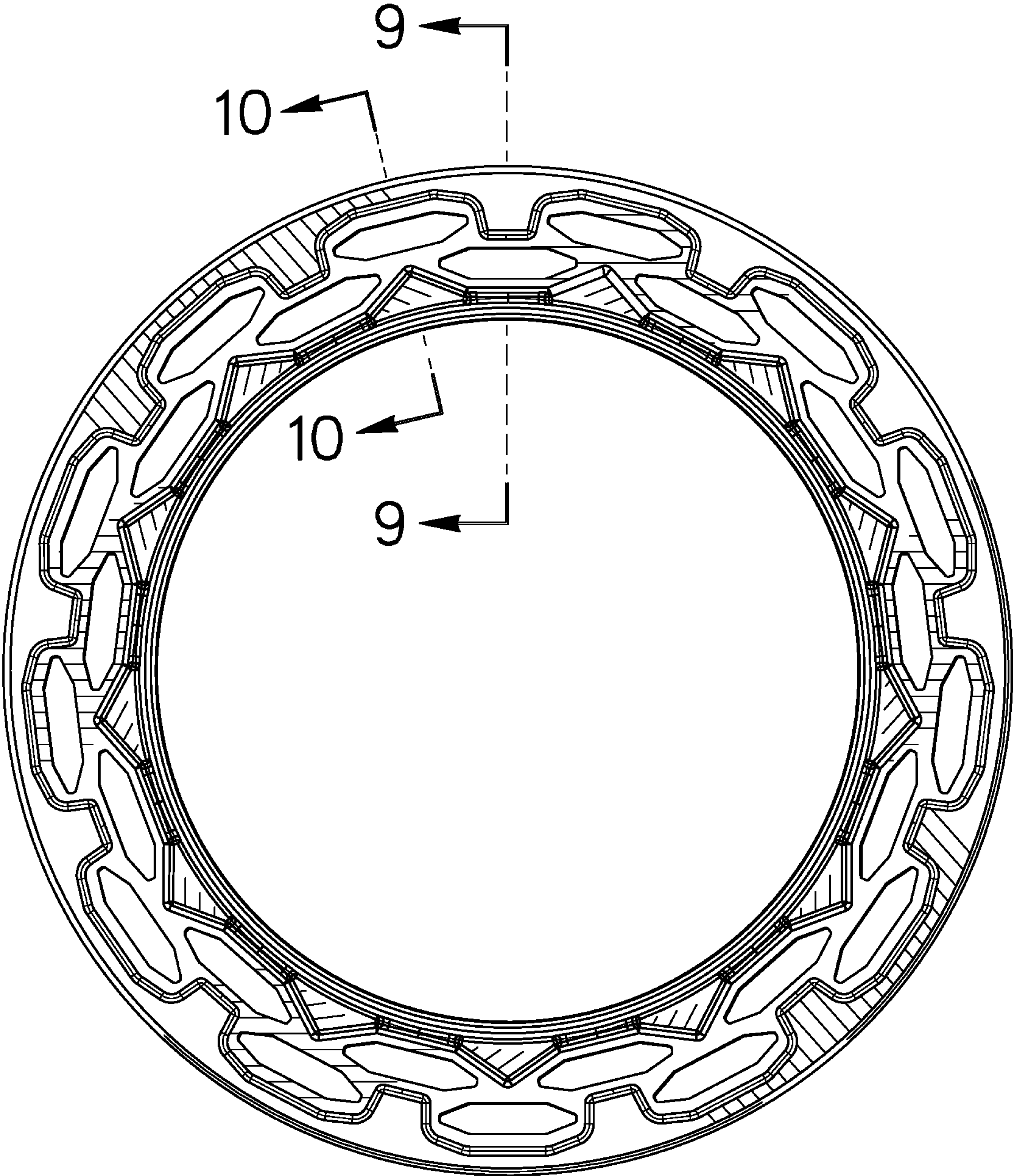


Fig. 7

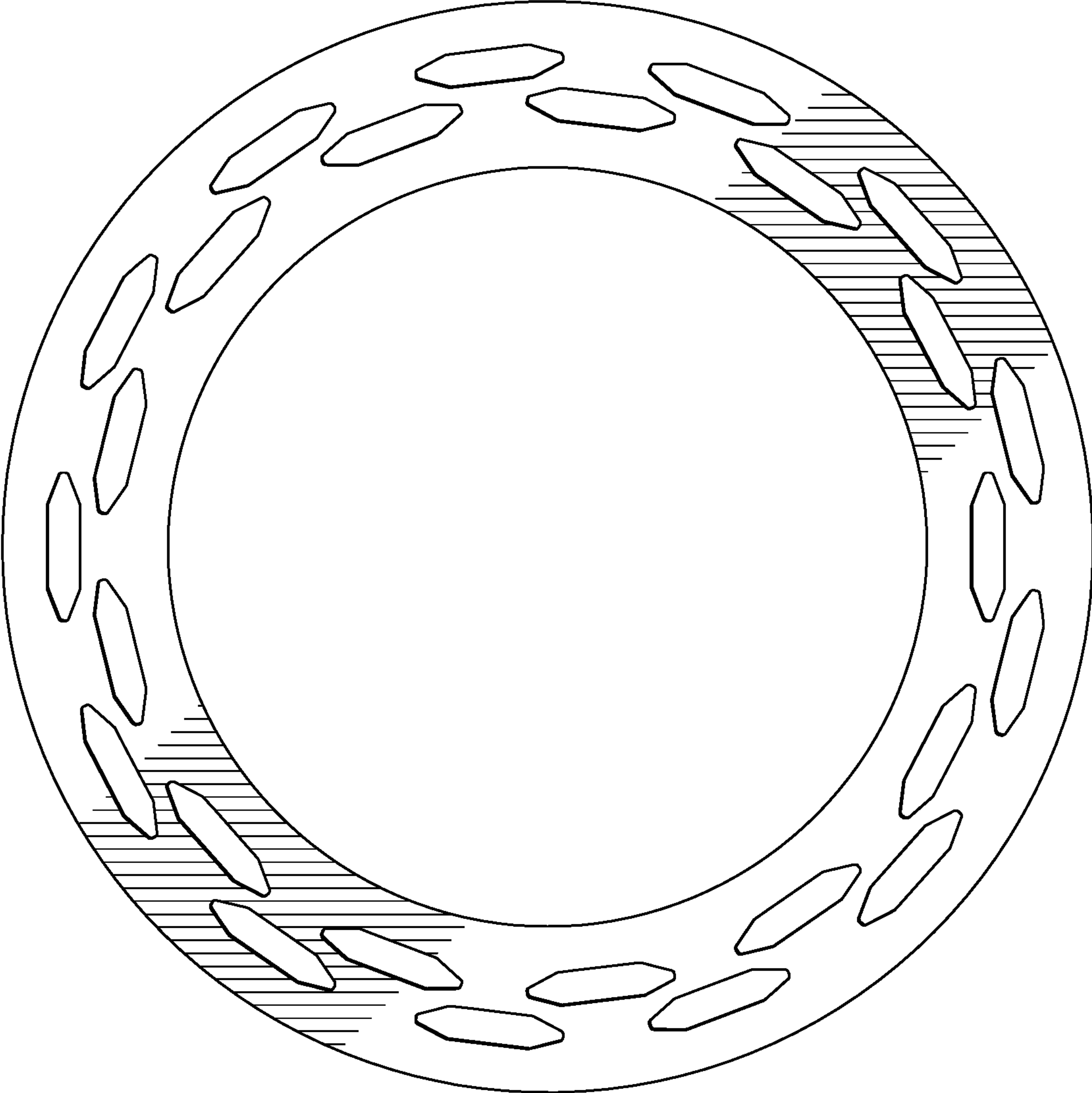


Fig. 8

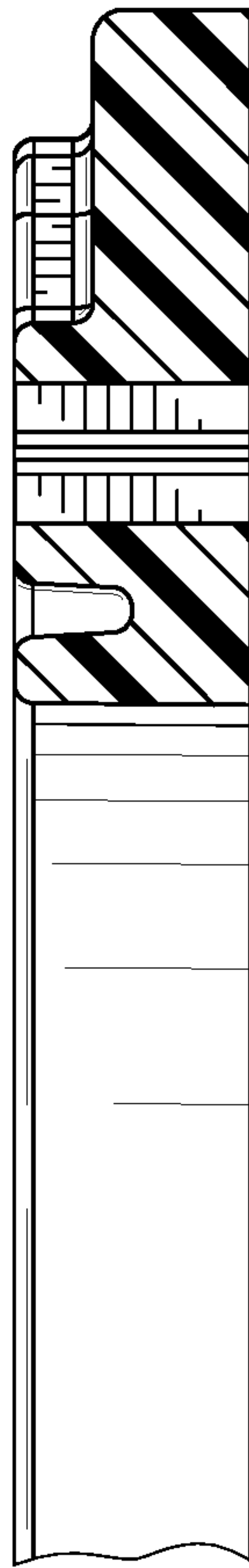


Fig. 9

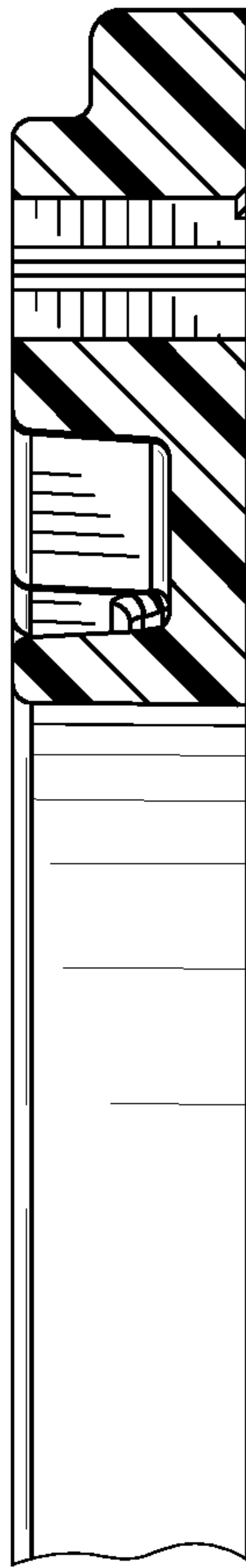


Fig. 10