



US00D894384S

(12) **United States Design Patent** (10) **Patent No.:** **US D894,384 S**
Gabay et al. (45) **Date of Patent:** **** Aug. 25, 2020**

- (54) **ELONGATED MEDICAL DEVICE WITH FLEXIBILITY ENHANCING FEATURES**
- (71) Applicant: **Transit Scientific, LLC**, Salt Lake City, UT (US)
- (72) Inventors: **Gregory Gabay**, St. Louis Park, MN (US); **David Butterfield**, Maple Grove, MN (US); **David Blossom**, Wellesley, MA (US); **Shawn P. Fojtik**, Park City, UT (US)
- (73) Assignee: **Transit Scientific, LLC**, Salt Lake City, UT (US)
- (**) Term: **15 Years**
- (21) Appl. No.: **29/635,209**
- (22) Filed: **Jan. 29, 2018**
- (51) **LOC (12) Cl.** **24-02**
- (52) **U.S. Cl.**
USPC **D24/138**
- (58) **Field of Classification Search**
USPC D24/138; D9/442; D7/300.2
CPC B29C 2793/0081; B29C 66/131; B29C 66/24221; B29C 66/81433; B29C 53/30; A47G 21/186; A47G 21/18; A47G 19/2222
See application file for complete search history.

- (56) **References Cited**
U.S. PATENT DOCUMENTS
5,388,584 A * 2/1995 King A61B 8/12 174/113 R
5,445,140 A * 8/1995 Tovey A61B 17/00234 600/117
D389,913 S * 1/1998 Bookwalter D24/138
5,919,172 A * 7/1999 Golba, Jr. A61B 17/3401 604/164.01

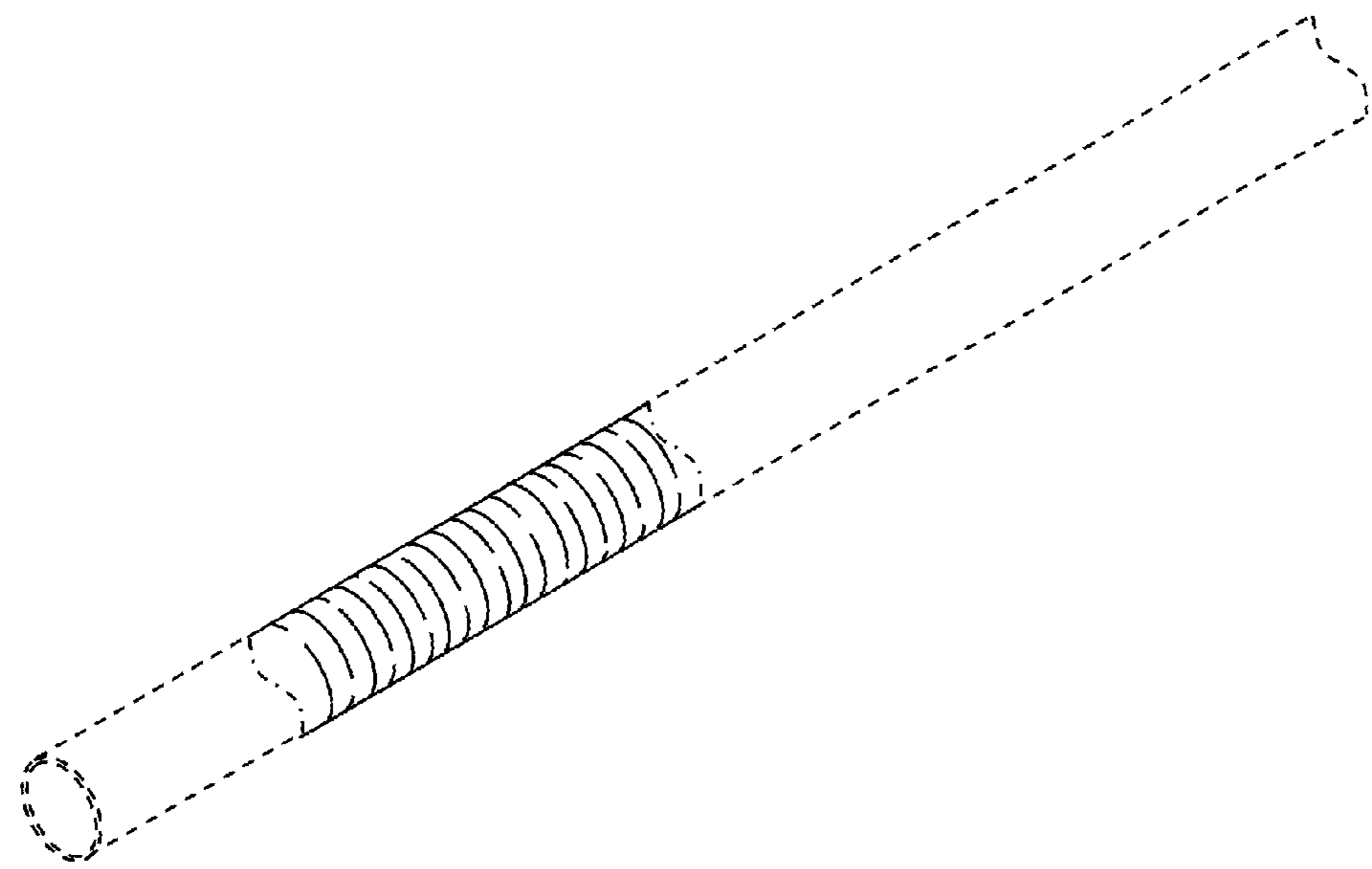
- 5,931,787 A * 8/1999 Dietz A61B 8/0833 600/461
- 6,152,910 A * 11/2000 Agro A61M 25/0028 604/264
- D435,656 S * 12/2000 Ogino D24/138
- D440,659 S * 4/2001 Ogino D24/138
- D496,728 S * 9/2004 Holsinger D24/108
- 7,662,112 B2 * 2/2010 Zamierowski A61B 5/1072 600/587
- D622,846 S * 8/2010 Frey D24/138
- D755,378 S * 5/2016 Dejima D24/138
- D771,251 S * 11/2016 Oberlaender D24/138

* cited by examiner
Primary Examiner — Eliza Z Bennett-Hattan
 (74) *Attorney, Agent, or Firm* — Durham Jones & Pinegar, P.C., Intellectual Property Law Group

(57) **CLAIM**
 The ornamental design for an elongated medical device with flexibility enhancing features, as shown and described.

DESCRIPTION
 FIG. 1 is a perspective view of an elongated medical device with flexibility enhancing features showing our new design; FIG. 2 is a first side elevational view of the elongated medical device; FIG. 3 is a second side elevational view of the elongated medical device; FIG. 4 is a third side elevational view of the elongated medical device; FIG. 5 is a fourth side elevational view of the elongated medical device; FIG. 6 is a distal end view of the elongated medical device; and, FIG. 7 is a proximal end view of the elongated medical device.
 The broken lines illustrate unclaimed portions and form no part of the claimed design.

1 Claim, 2 Drawing Sheets



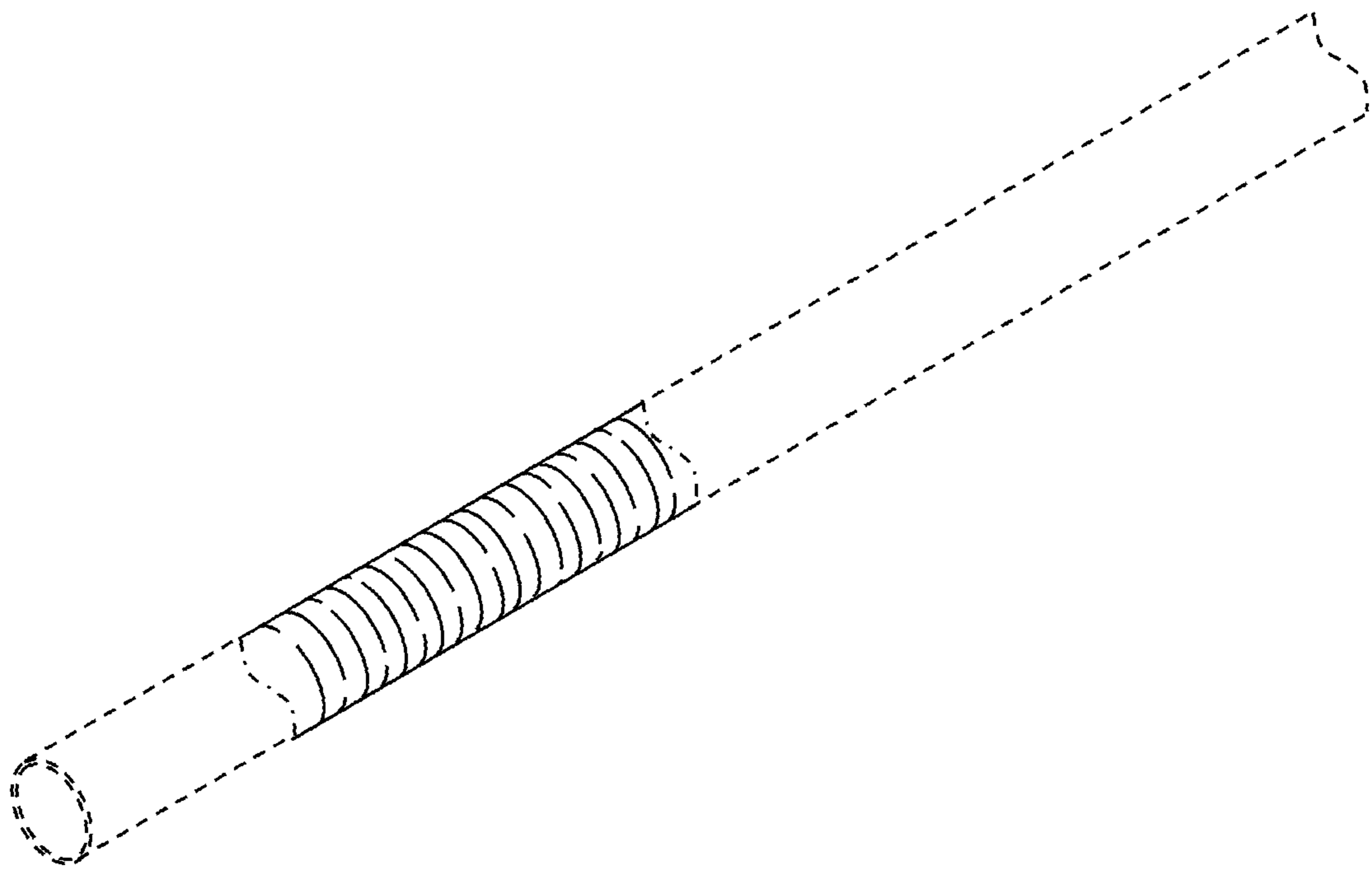


FIG. 1

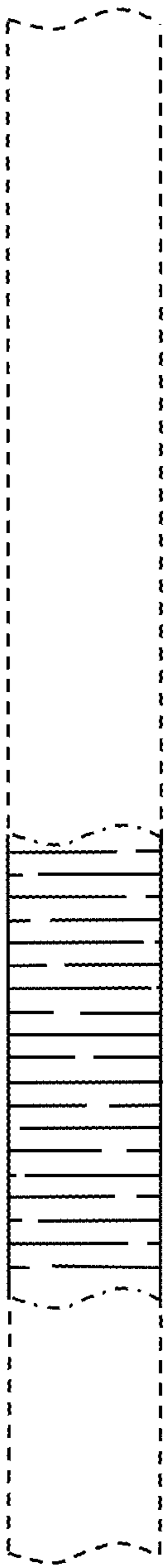


FIG. 2

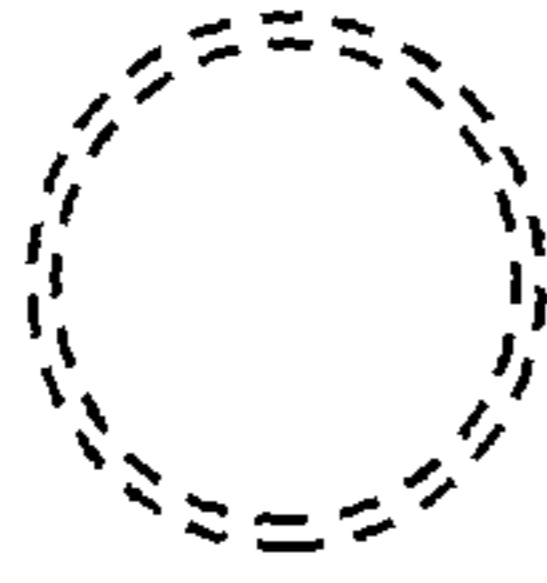


FIG. 6

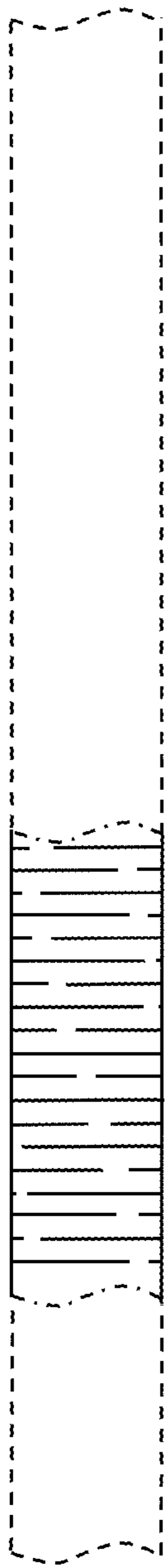


FIG. 3

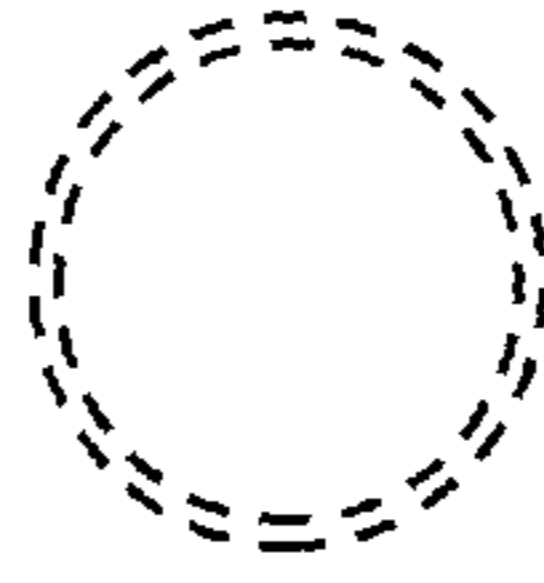


FIG. 7

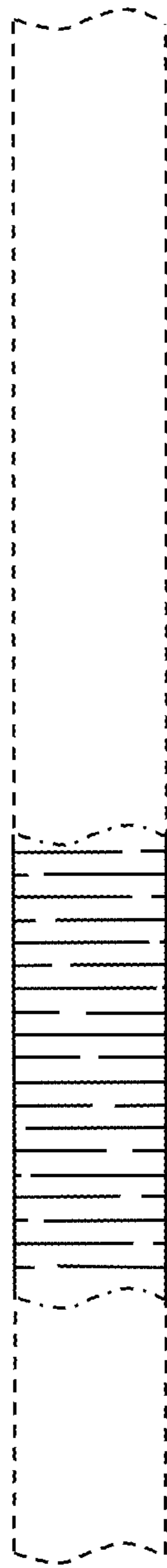


FIG. 4

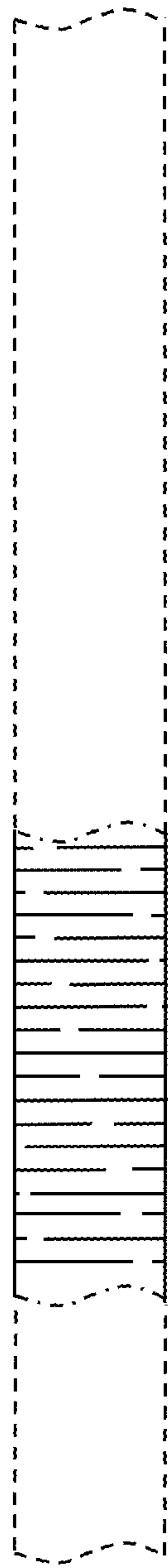


FIG. 5