



US00D894383S

(12) **United States Design Patent** (10) **Patent No.:** **US D894,383 S**
Berbee et al. (45) **Date of Patent:** **** Aug. 25, 2020**

(54) **OTOSCOPE**
(71) Applicant: **Wisconsin Alumni Research Foundation**, Madison, WI (US)
(72) Inventors: **James Berbee**, Madison, WI (US); **Greg Rebella**, Hartland, WI (US); **Azita Hamedani**, Verona, WI (US); **Cameron Loper**, Falls Church, VA (US); **Robert Carlton**, Lowell, MA (US)
(73) Assignee: **Wisconsin Alumni Research Foundation**, Madison, WI (US)

D265,504 S * 7/1982 Nash D24/137
D278,554 S * 4/1985 Bain D24/137
D286,814 S * 11/1986 Brainard, II 600/200
D288,960 S * 3/1987 Riestler D24/137
D374,077 S * 9/1996 Butler D24/137
D377,393 S * 1/1997 Sams D24/137
5,762,605 A 6/1998 Cane et al.
D406,339 S * 3/1999 Stacks D24/137
D423,668 S * 4/2000 Coe D24/137
6,106,457 A 8/2000 Perkins et al.
6,186,944 B1 2/2001 Tsai
6,626,825 B2 9/2003 Tsai
7,354,399 B2 4/2008 Strom et al.
8,066,634 B2 11/2011 Andreassen et al.
D709,191 S * 7/2014 Wood D24/137

(Continued)

(**) Term: **15 Years**
(21) Appl. No.: **29/637,588**
(22) Filed: **Feb. 20, 2018**

Primary Examiner — Eliza Z Bennett-Hattan
(74) *Attorney, Agent, or Firm* — Boyle Fredrickson S.C.

Related U.S. Application Data

(63) Continuation-in-part of application No. 15/856,865, filed on Dec. 28, 2017.
(51) **LOC (12) Cl.** **24-02**
(52) **U.S. Cl.**
USPC **D24/137**
(58) **Field of Classification Search**
USPC D24/137, 138, 151
CPC A61B 1/227
See application file for complete search history.

(57) **CLAIM**

The ornamental design for an otoscope, substantially as shown and described.

DESCRIPTION

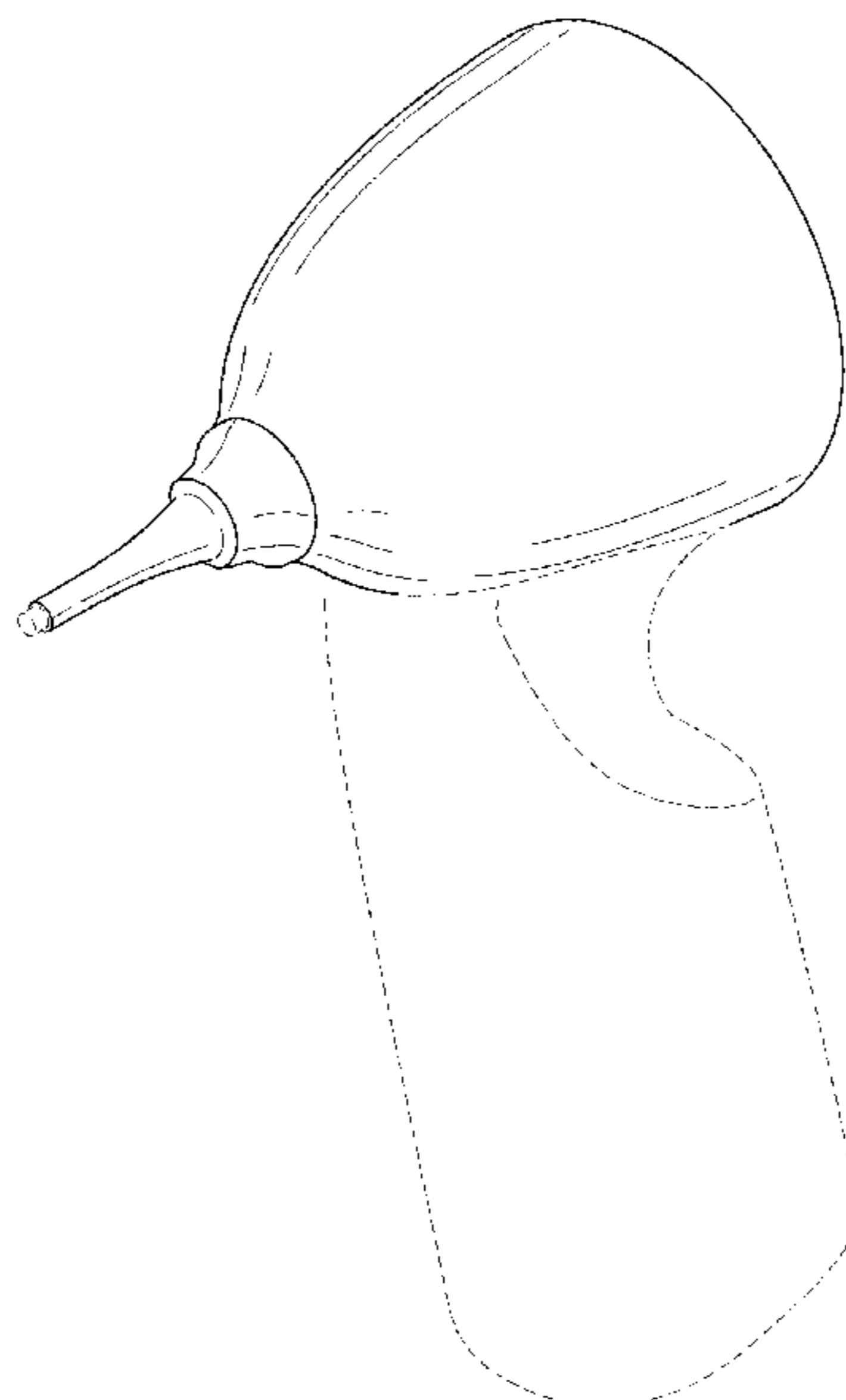
FIG. 1 is a front, right side perspective view of an otoscope of the present invention;
FIG. 2 is a rear, right side perspective view of the otoscope of FIG. 1;
FIG. 3 is a front side elevation view of the otoscope of FIG. 1;
FIG. 4 is a rear side elevation view of the otoscope of FIG. 1;
FIG. 5 is a right side elevation view of the otoscope of FIG. 1;
FIG. 6 is a left side elevation view of the otoscope of FIG. 1;
FIG. 7 is a top plan view of the otoscope of FIG. 1; and, FIG. 8 is a bottom plan view of the otoscope of FIG. 1.
The broken lines show environmental structure or boundaries that form no part of the claimed design.

(56) **References Cited**

U.S. PATENT DOCUMENTS

3,110,304 A * 11/1963 Hartman A61B 1/227
600/200
3,543,746 A * 12/1970 Hotchkiss G02B 23/2484
600/200
D221,109 S * 7/1971 Heine D24/137
D238,099 S * 12/1975 Pulos D24/137

1 Claim, 6 Drawing Sheets



(56)

References Cited

U.S. PATENT DOCUMENTS

D776,810 S * 1/2017 Tseng D24/137
D802,129 S * 11/2017 Im D24/137
D802,130 S * 11/2017 Im D24/137
2015/0374208 A1 12/2015 Ruppertsberg et al.

* cited by examiner

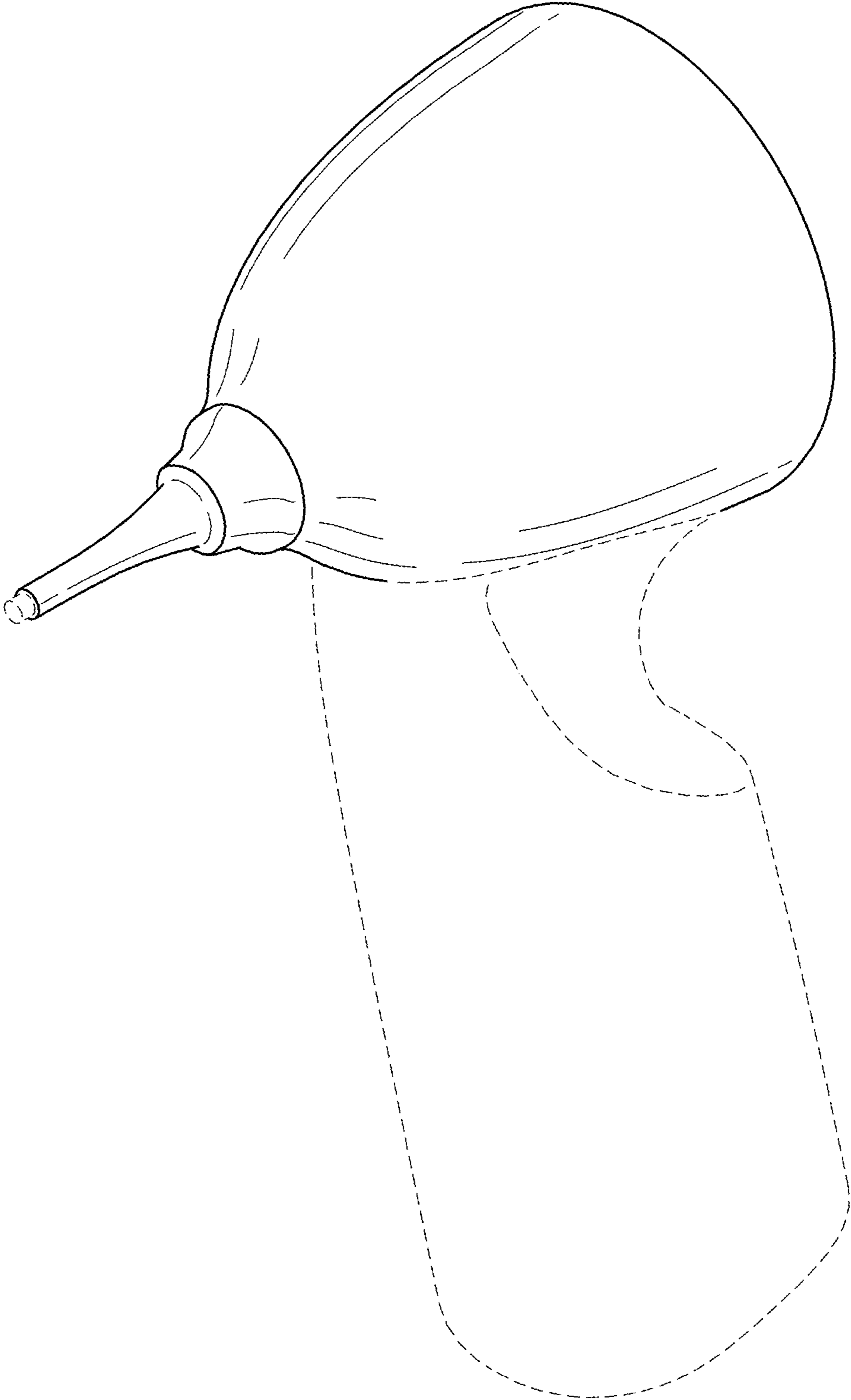


FIG. 1

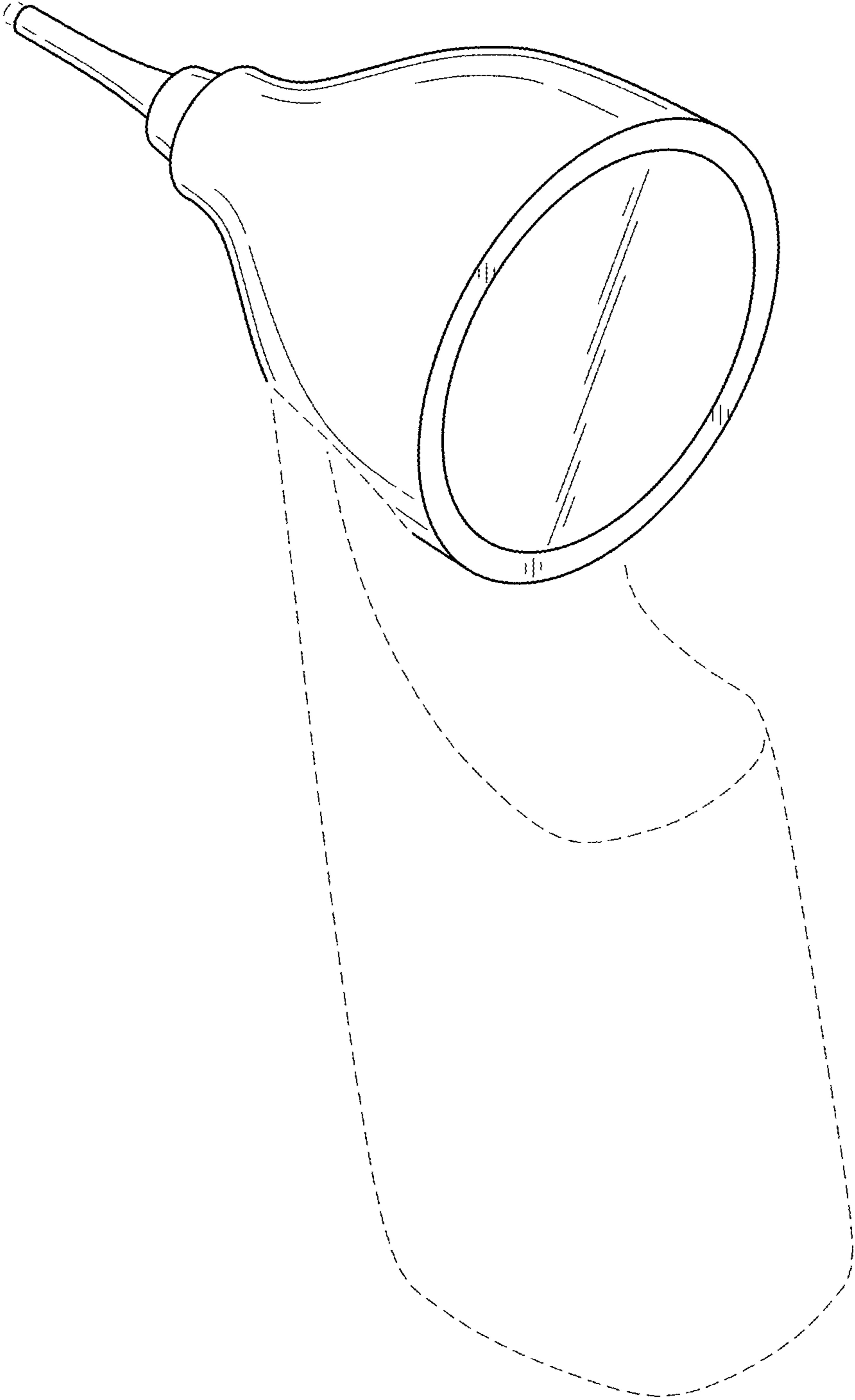


FIG. 2

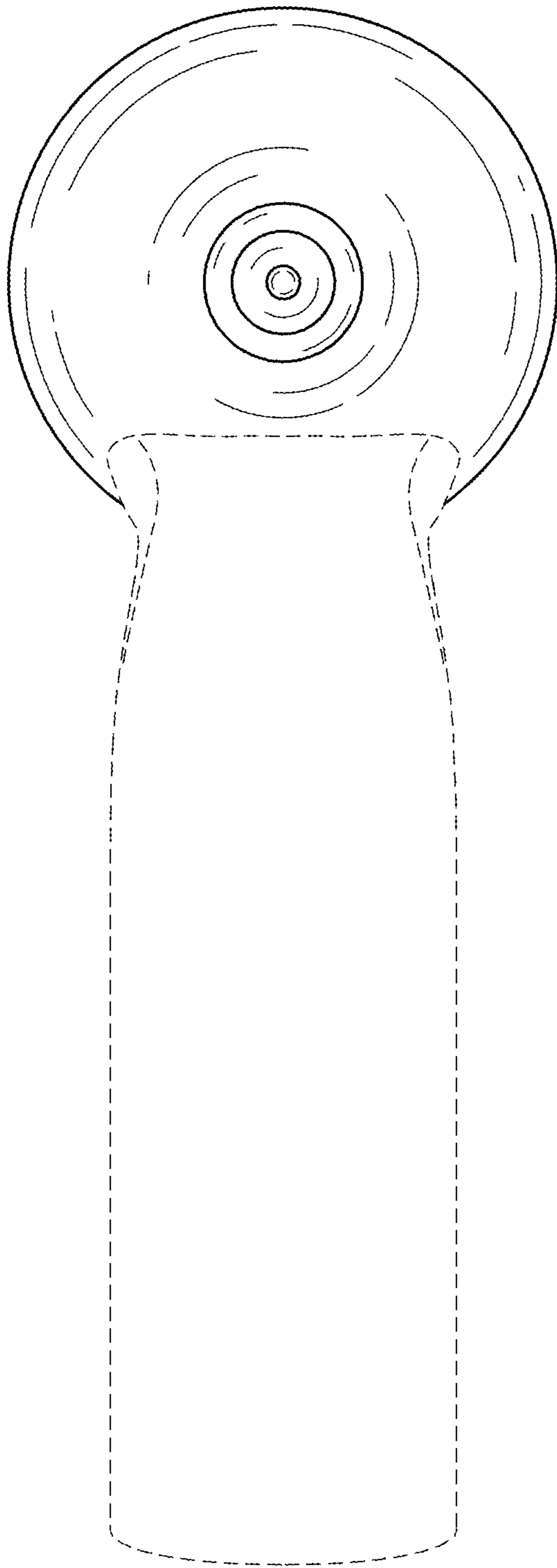


FIG. 3

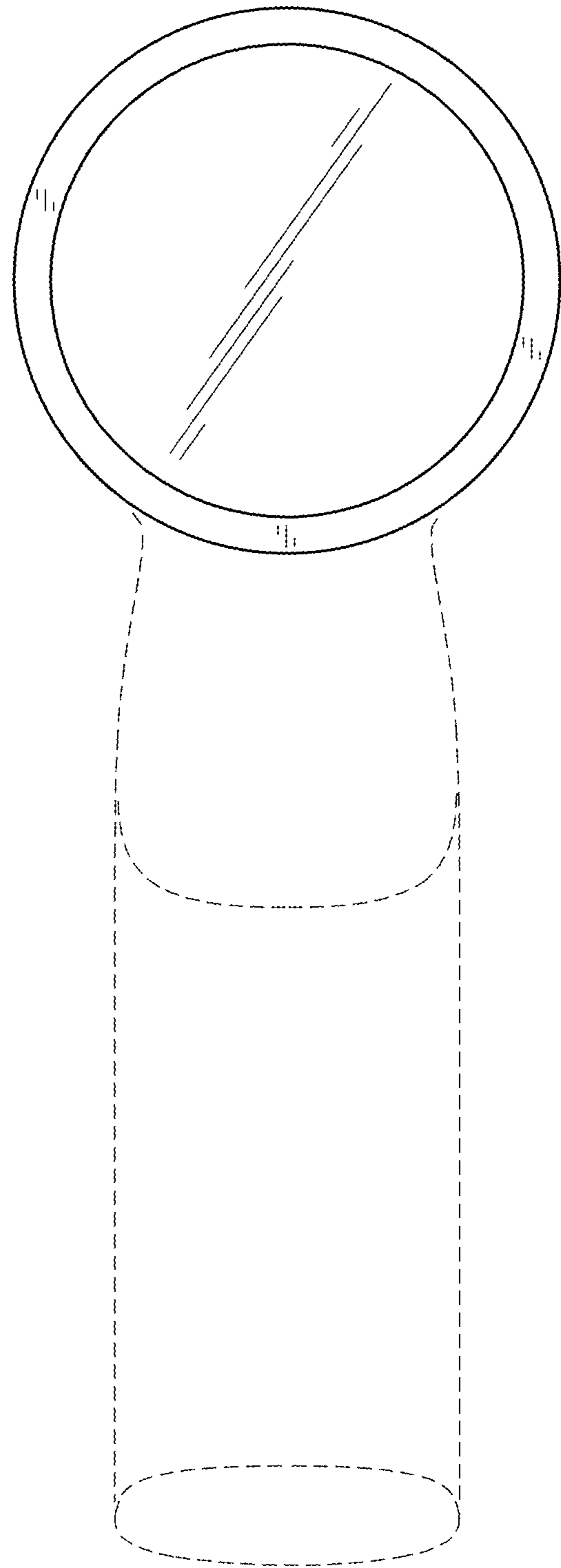


FIG. 4

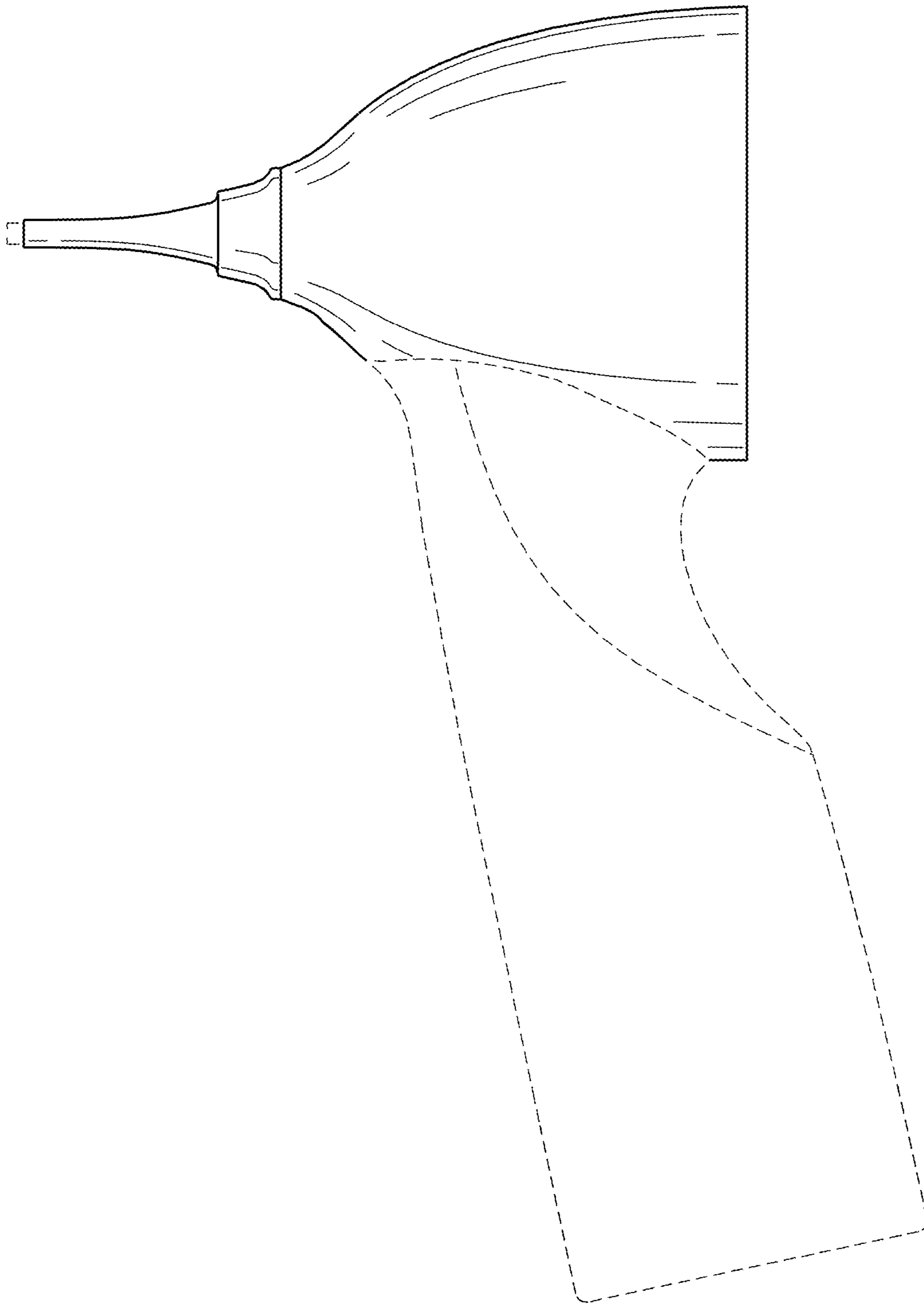


FIG. 5

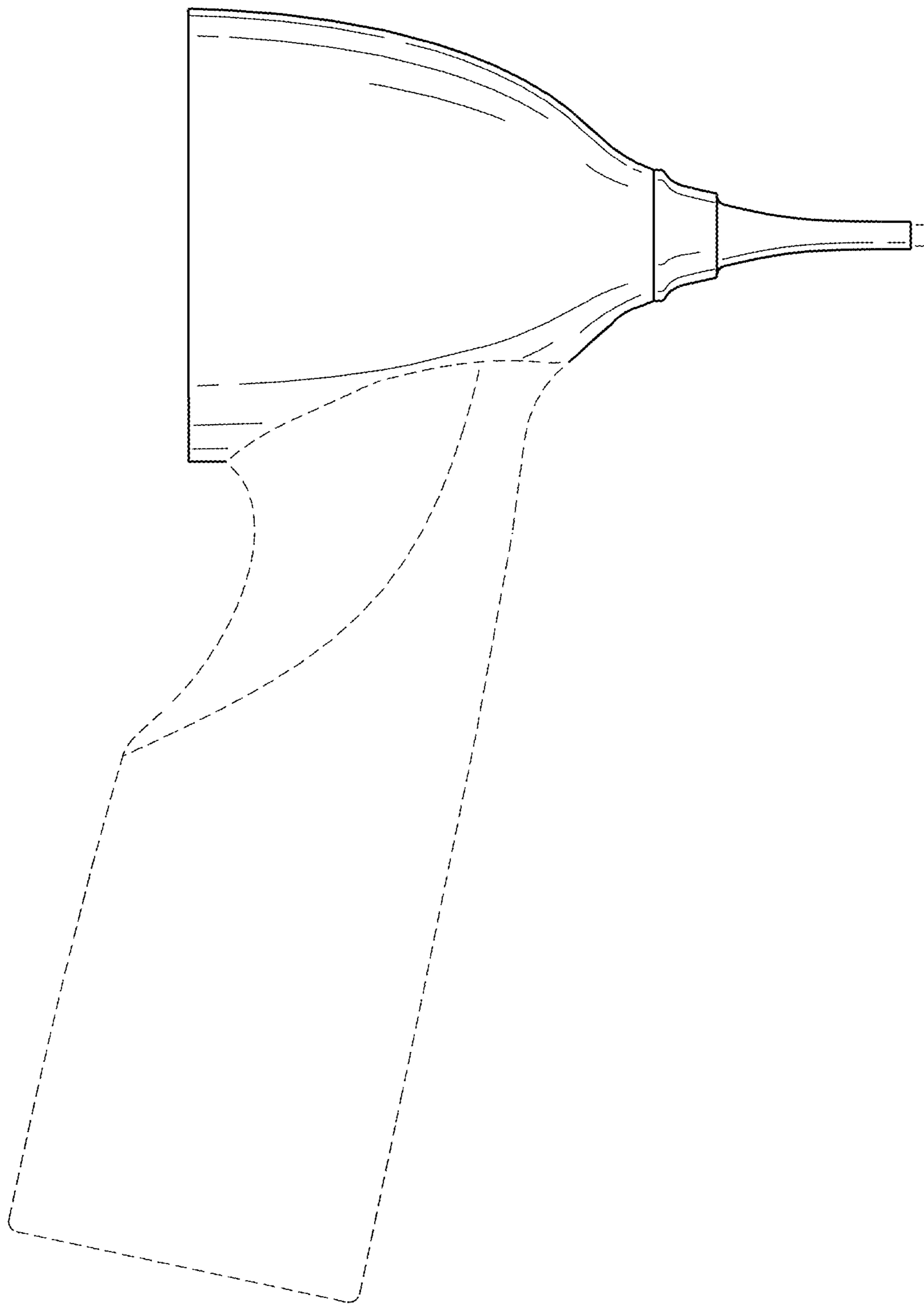


FIG. 6

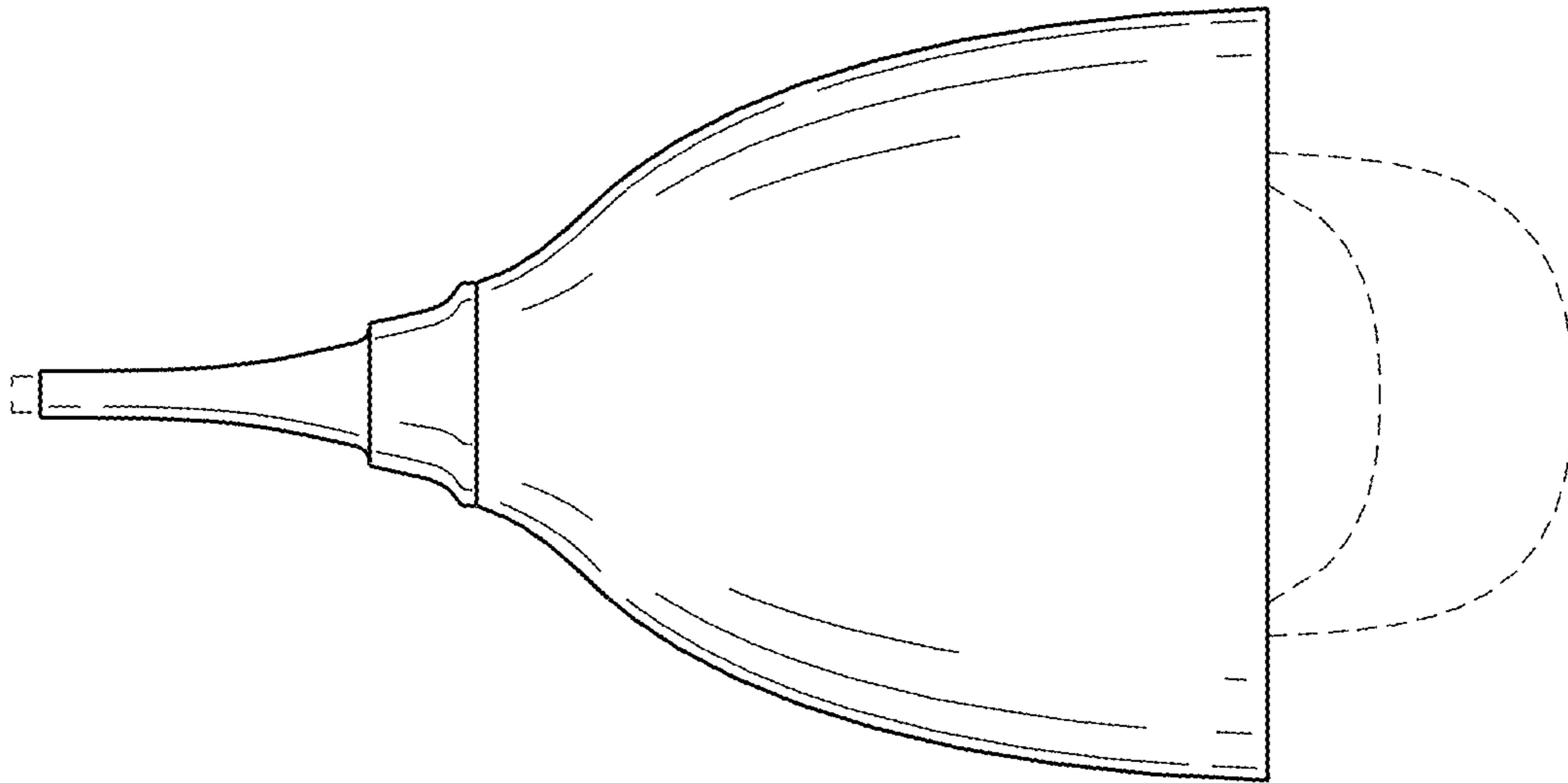


FIG. 7

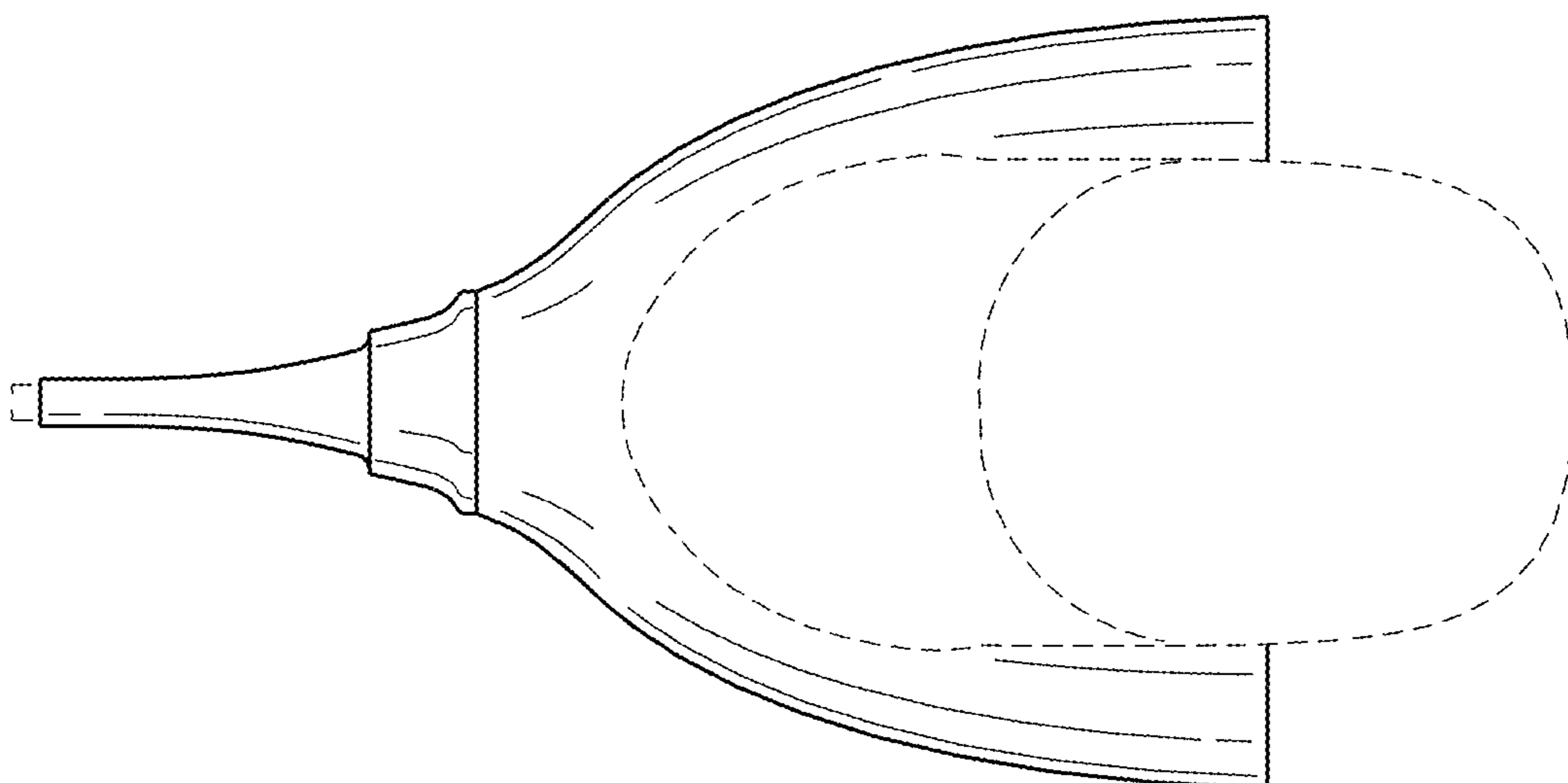


FIG. 8